



US00D807222S

(12) **United States Design Patent** (10) **Patent No.:** **US D807,222 S**
Gaynes et al. (45) **Date of Patent:** **** Jan. 9, 2018**

(54) **TWO STONE JEWELRY SETTING**

(56) **References Cited**

(71) Applicant: **SIGNET GROUP SERVICES US INC.**, Akron, OH (US)
(72) Inventors: **David Gaynes**, Cliffside Park, NJ (US);
Anne M. Rush, Fort Lee, NJ (US);
Joan E. Park, Verona, NJ (US)
(73) Assignee: **SIGNET GROUP SERVICES US INC.**, Akron, OH (US)
(**) Term: **15 Years**

U.S. PATENT DOCUMENTS

D166,978 S	6/1952	Katz	
3,433,032 A	3/1969	Dennen	
D604,655 S	11/2009	Marks	
D604,656 S	11/2009	Marks	
D660,742 S	5/2012	Papadimitriou	
D661,218 S *	6/2012	Papadimitriou	D11/34
D672,680 S	12/2012	Papadimitriou	
D677,597 S	3/2013	Papadimitriou	
D693,259 S	11/2013	Dholakiya	
D701,136 S *	3/2014	Dholakiya	D11/34
D787,972 S *	5/2017	Gaynes	D11/34
D787,973 S *	5/2017	Gaynes	D11/34

* cited by examiner

(21) Appl. No.: **29/608,674**

Primary Examiner — Ralf Seifert

(22) Filed: **Jun. 23, 2017**

(74) *Attorney, Agent, or Firm* — Holland & Hart LLP

(57) **CLAIM**

The ornamental design for a two stone jewelry setting, as shown and described.

Related U.S. Application Data

(63) Continuation of application No. 29/603,551, filed on May 10, 2017, which is a continuation of application No. 29/540,685, filed on Sep. 25, 2015, now Pat. No. Des. 787,974.

DESCRIPTION

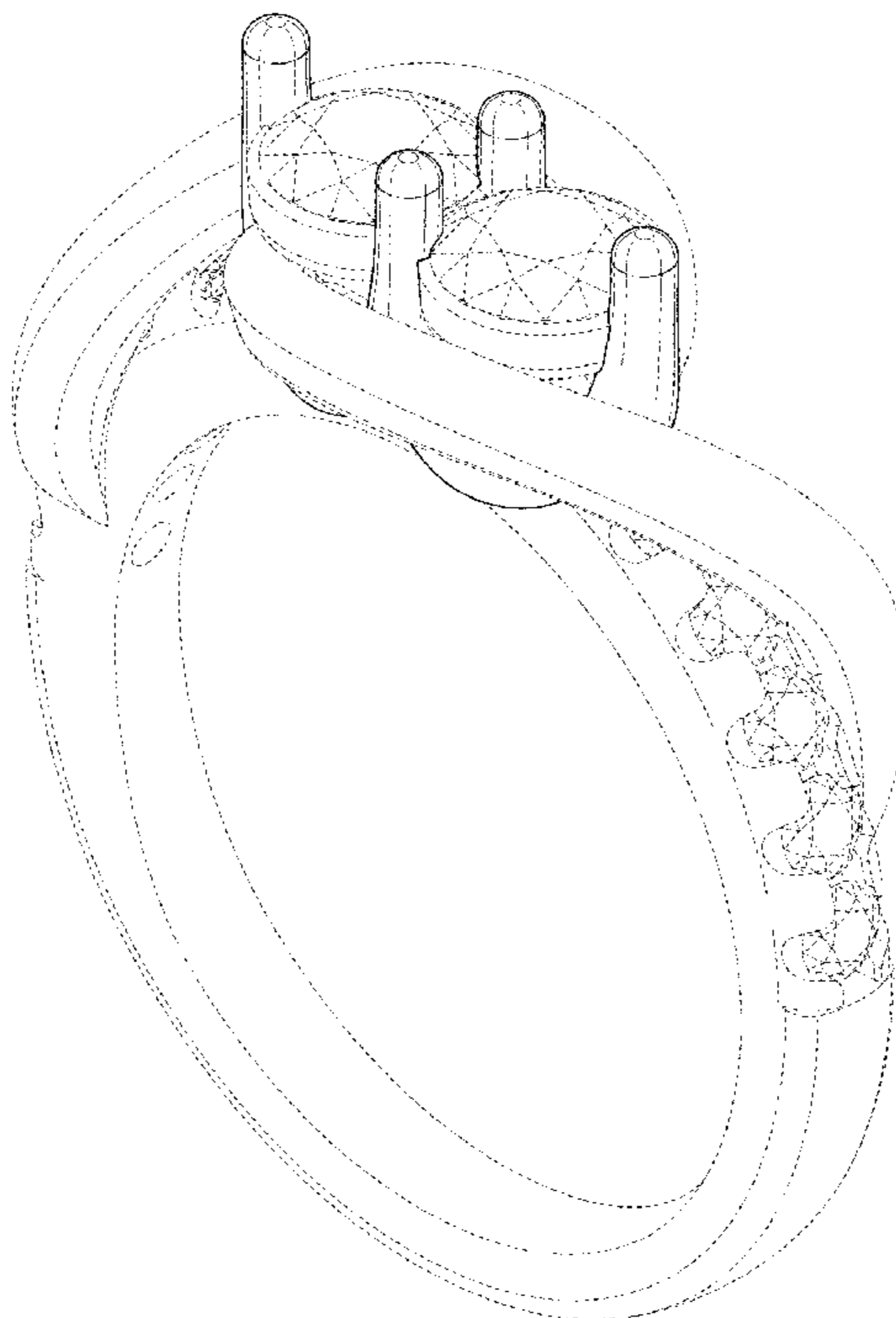
(51) **LOC (11) Cl.** **11-01**
(52) **U.S. Cl.**
USPC **D11/34**
(58) **Field of Classification Search**
USPC D11/1-5, 26-39, 91-92; 63/15,
63/15.1-15.7, 26-28, 32
CPC .. A44C 5/00; A44C 9/00; A44C 17/02; A44C
9/02

FIG. 1 is a top perspective view of a two stone jewelry setting according to the present invention; FIG. 2 is a bottom perspective view thereof; FIG. 3 is a front view thereof; FIG. 4 is a rear side view thereof; FIG. 5 is a right side view thereof; FIG. 6 is a left side view thereof; FIG. 7 is a top view thereof; and, FIG. 8 is a bottom view thereof.

The broken lines shown in the figures illustrate unclaimed portions of the design.

See application file for complete search history.

1 Claim, 8 Drawing Sheets



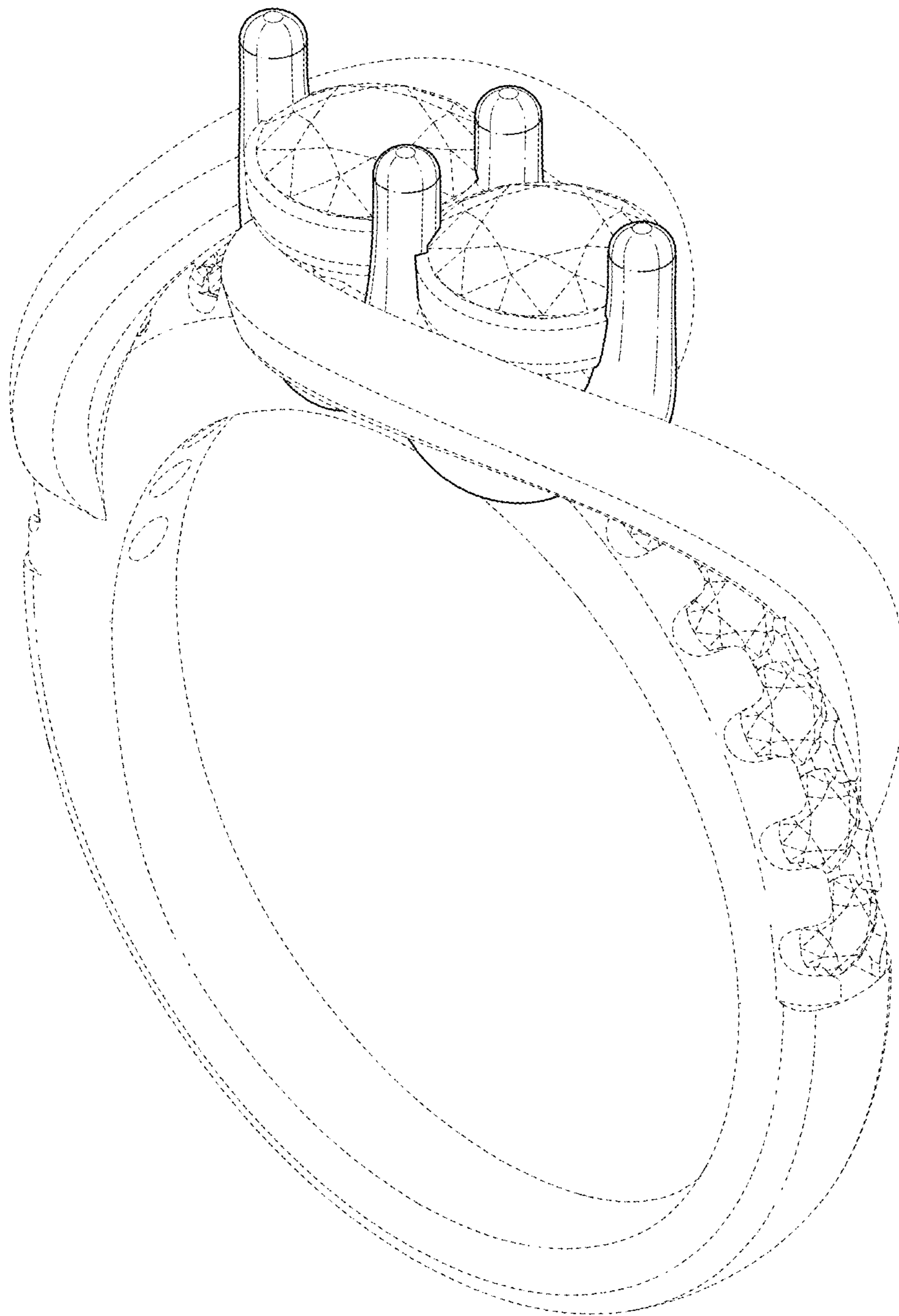


FIG. 1

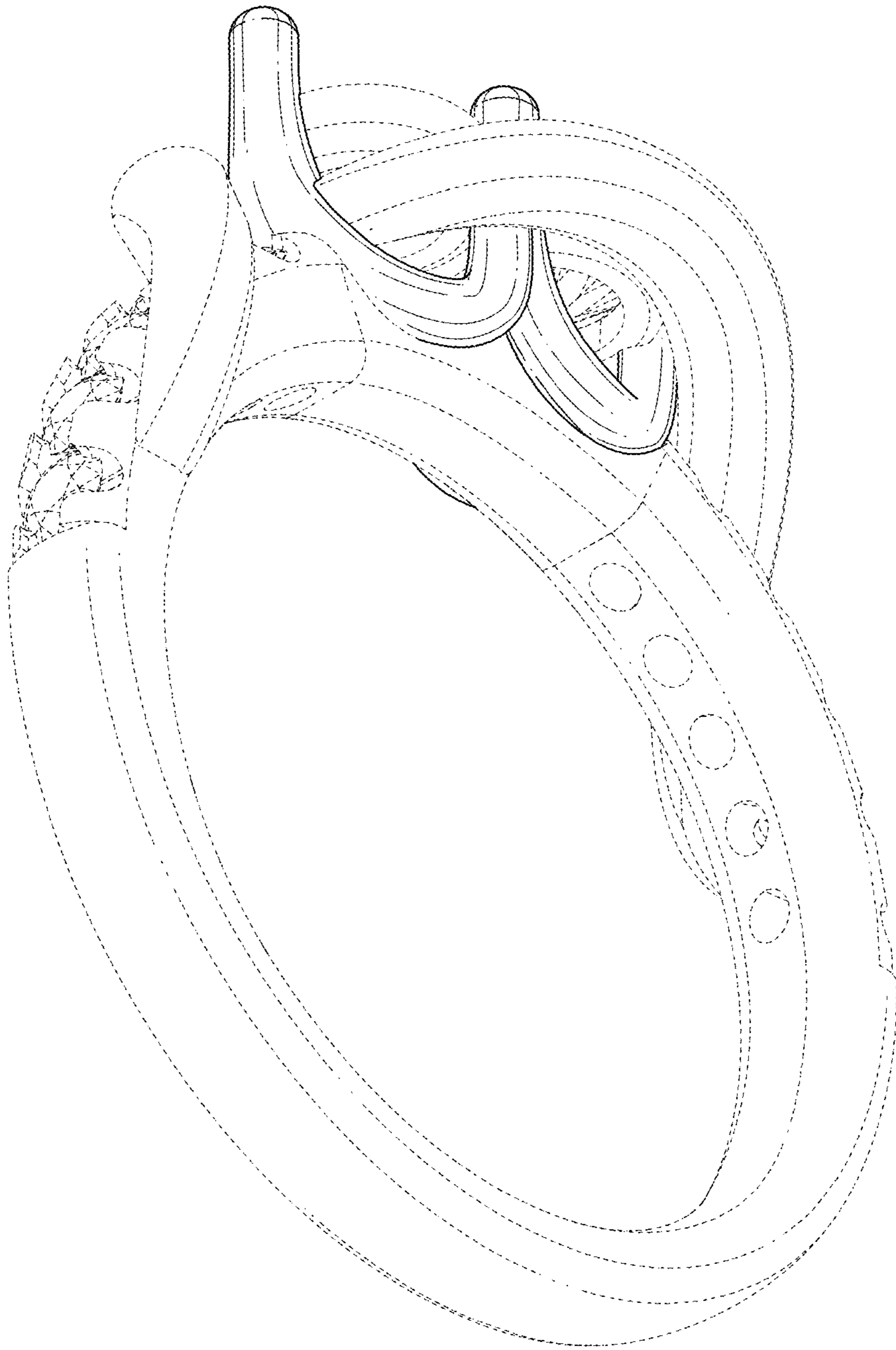


FIG. 2

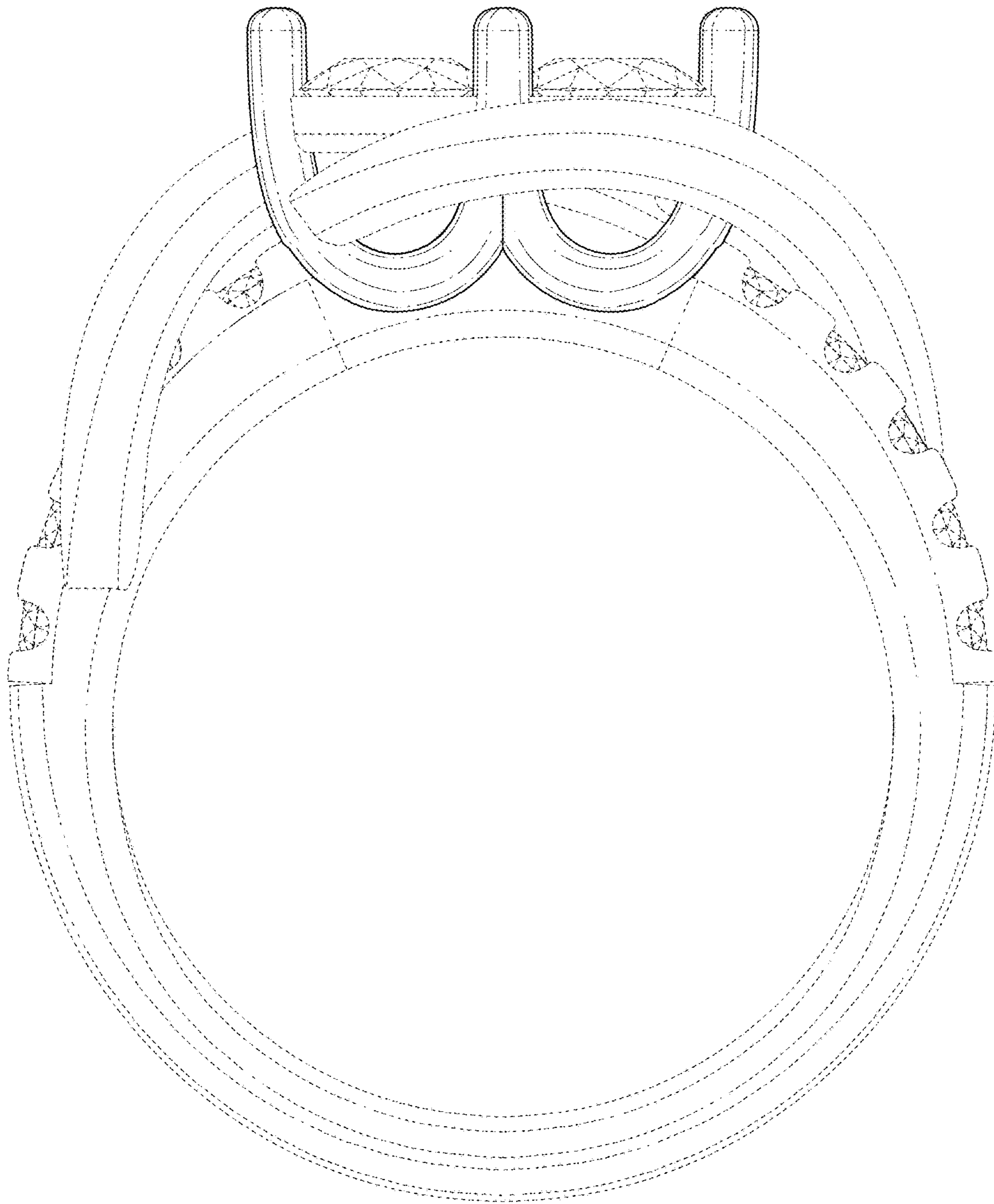


FIG. 3

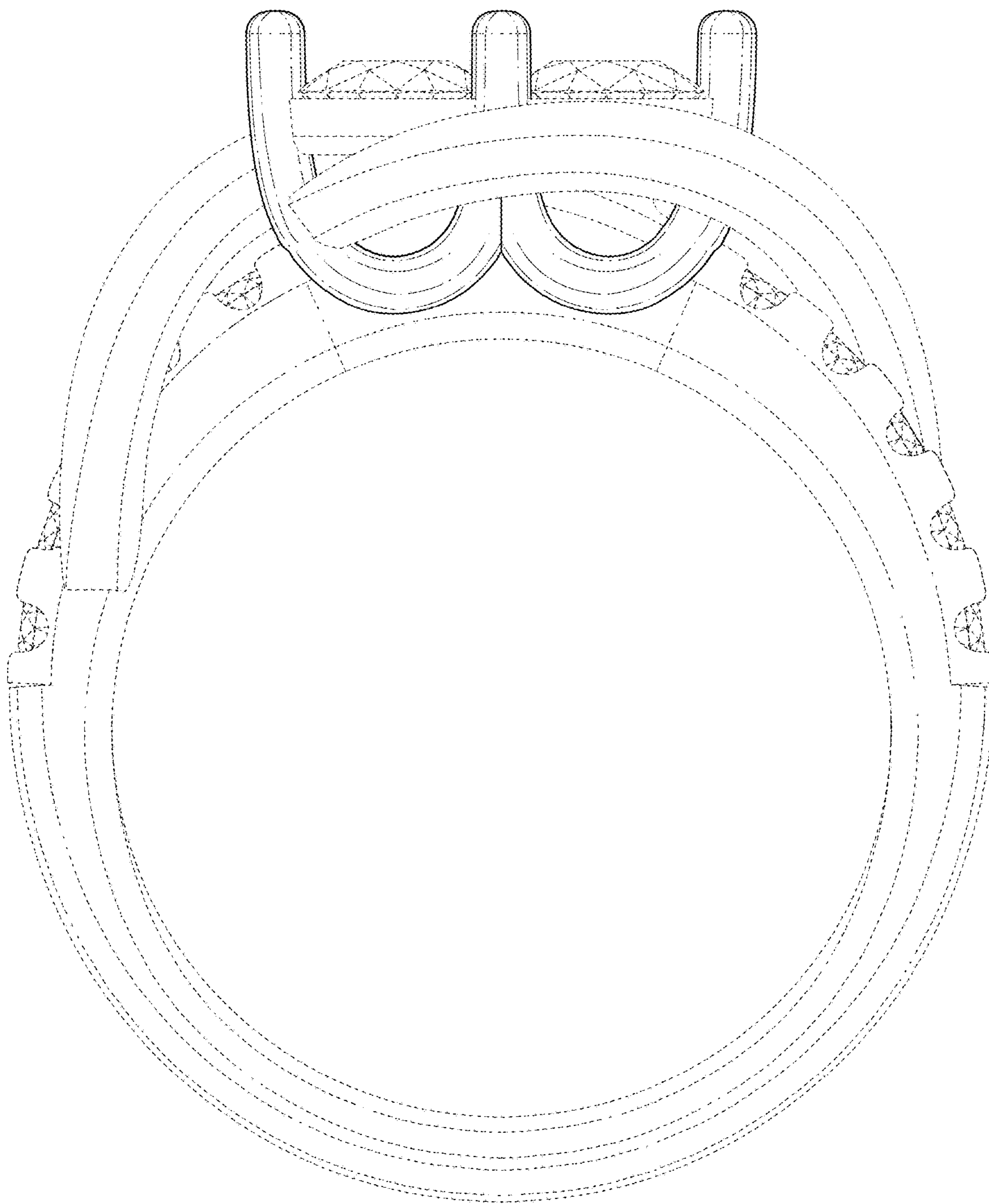


FIG. 4

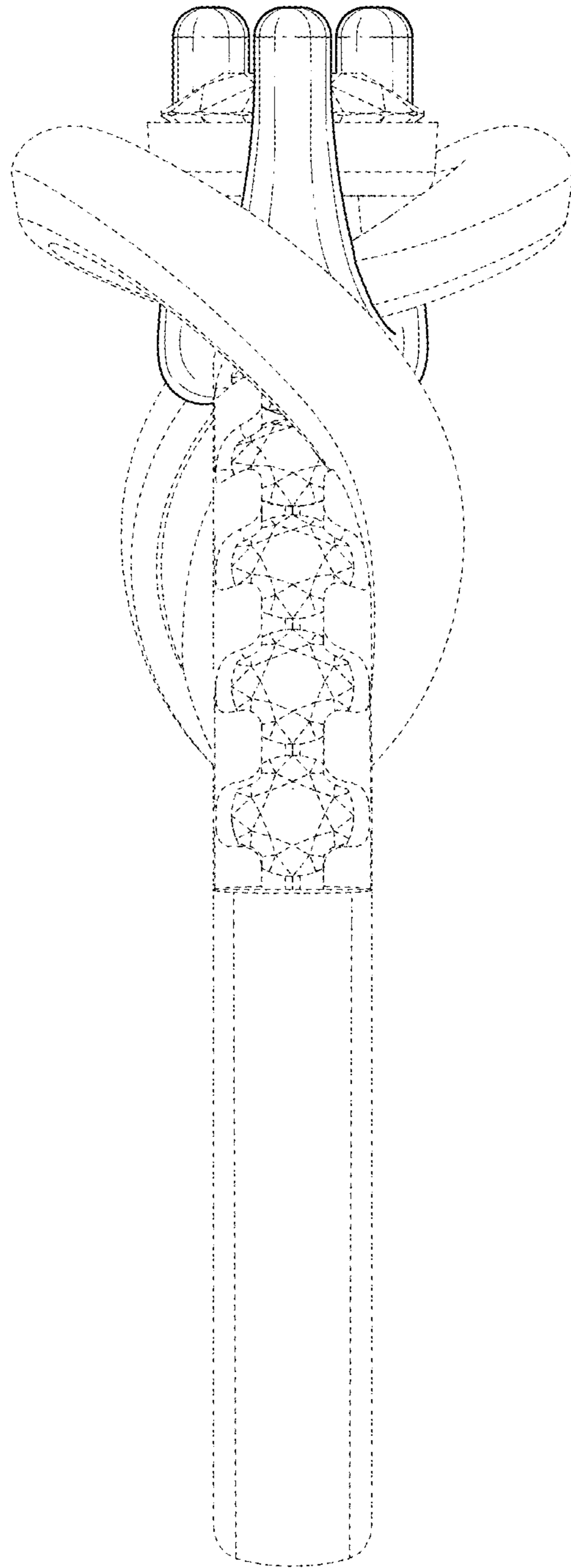


FIG. 5

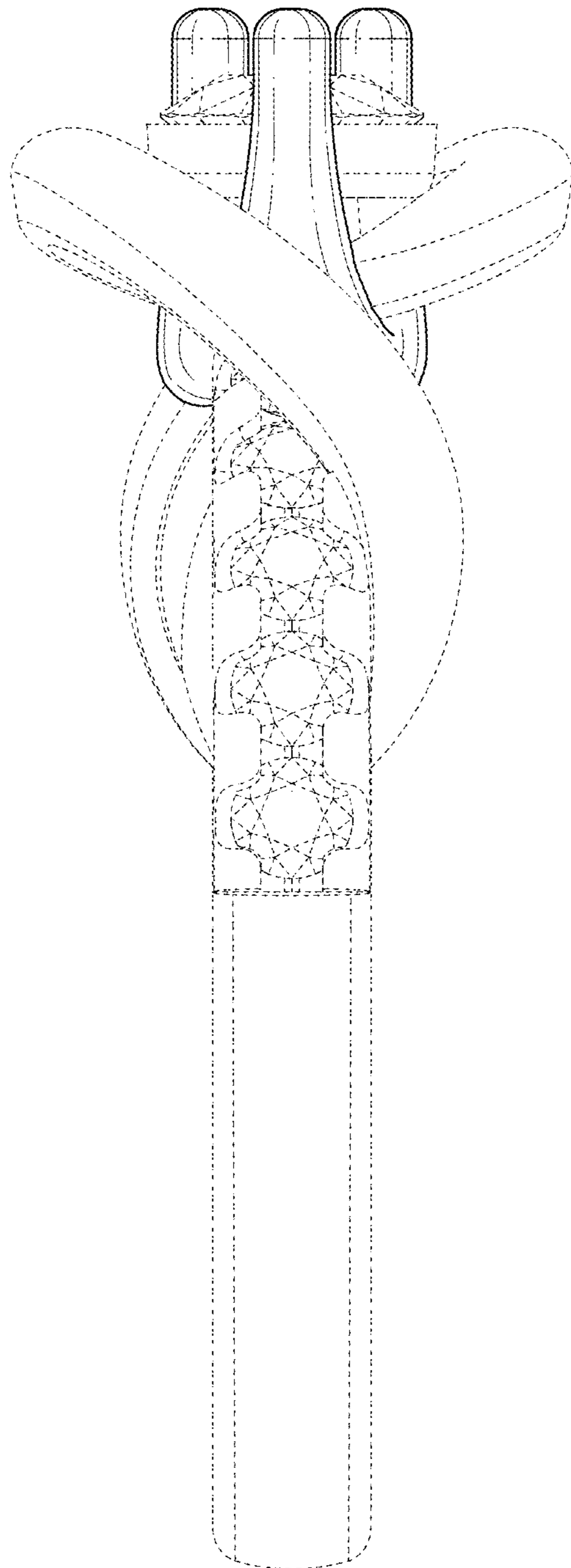


FIG. 6

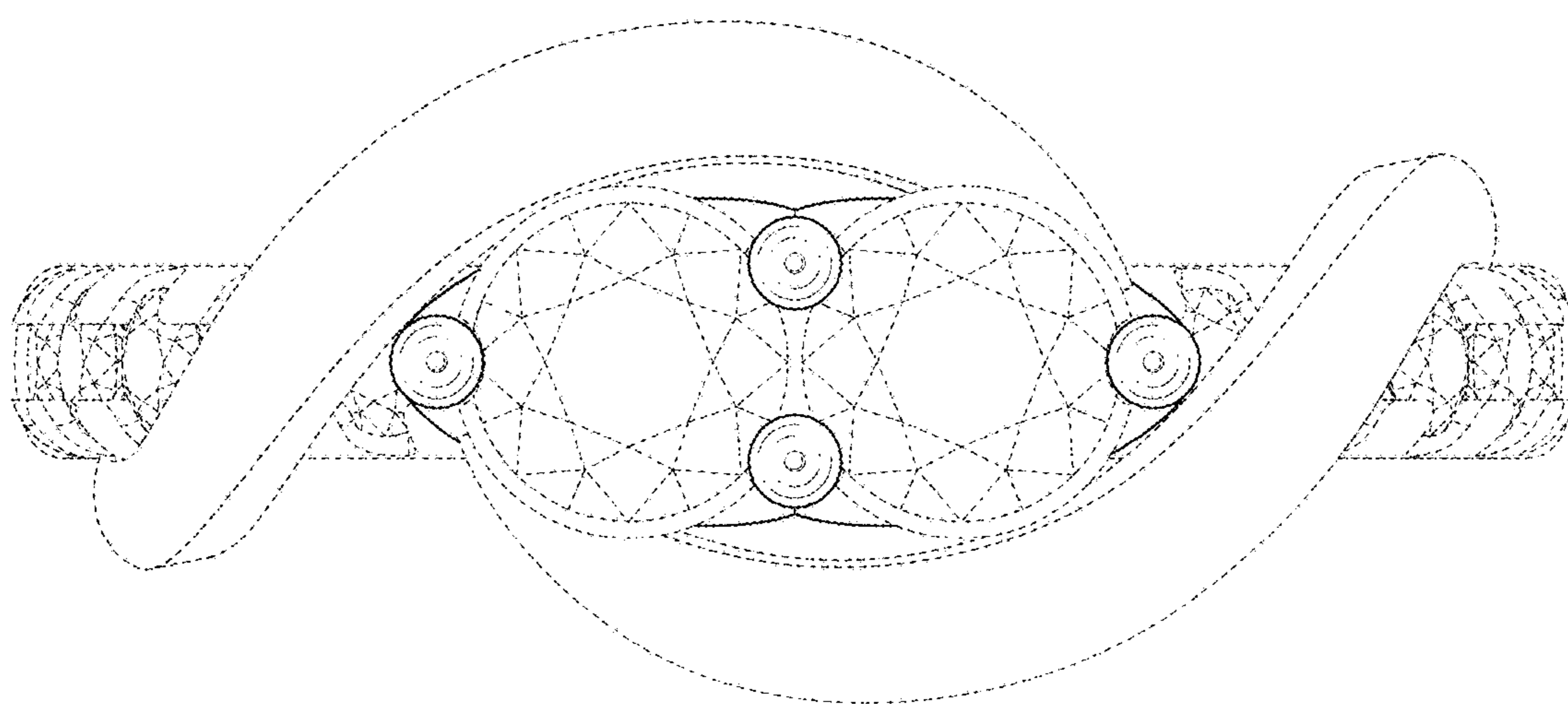


FIG. 7

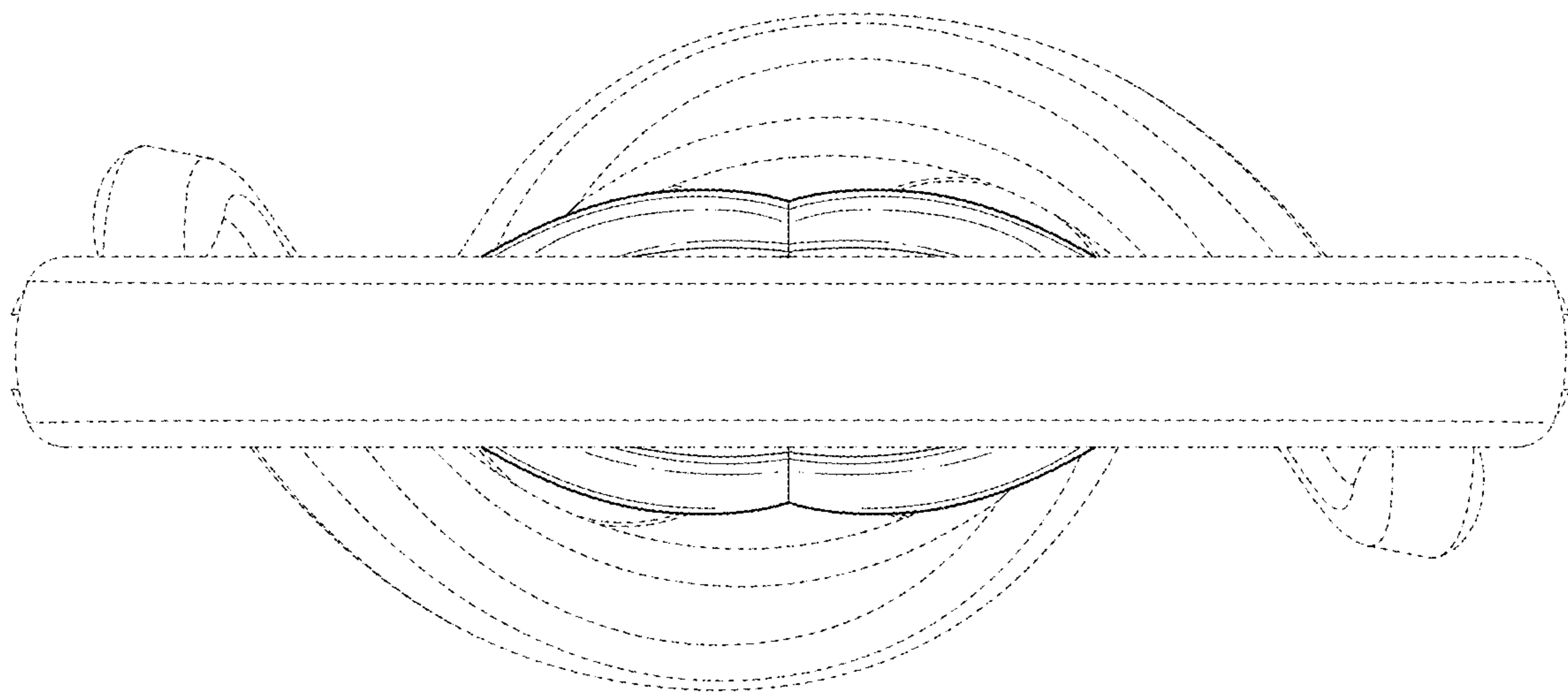


FIG. 8