



US00D807220S

(12) **United States Design Patent**
Fowler

(10) **Patent No.:** **US D807,220 S**
(45) **Date of Patent:** **** Jan. 9, 2018**

- (54) **BRACELET**
- (71) Applicant: **Leah Fowler**, New York, NY (US)
- (72) Inventor: **Leah Fowler**, New York, NY (US)
- (**) Term: **15 Years**
- (21) Appl. No.: **29/557,361**
- (22) Filed: **Mar. 8, 2016**
- (51) **LOC (11) Cl.** **11-01**
- (52) **U.S. Cl.**
USPC **D11/6**
- (58) **Field of Classification Search**
USPC D26/1-18, 26, 27, 29, 30, 31, 34, 37, 38,
D26/39, 40-43, 79-86; D28/41;
D14/344; D7/633
CPC A44C 5/00; A44C 5/0007; A44C 5/0015;
A44C 5/0023; A44C 5/003; A44C
5/0038; A44C 5/0046; A44C 5/0053;
A44C 5/0061; A44C 5/0069; A44C
5/0076; A44C 5/0084; A44C 5/0092;
A44C 5/12; A44C 7/00; A44C 7/002;
A44C 7/004; A44C 7/005; A44C 9/00;
A44C 9/0038; A44C 9/0046; A44C
9/0053; A44C 9/0061; A44C 9/0069;
A44C 9/0084; A44C 9/02; A44C 15/00;
A44C 15/001; A44C 15/0015; A44C
15/002; A44C 15/0025; A44C 15/003;
A44C 15/004
See application file for complete search history.

(56) **References Cited**

U.S. PATENT DOCUMENTS

D4,643 S *	2/1871	Smith	D11/39
D4,644 S *	2/1871	Smith	D11/39
D42,412 S *	4/1912	Bliss	D11/39
D184,833 S *	4/1959	Sager	D11/39
D262,199 S *	12/1981	Bogner	D11/38
D356,456 S *	3/1995	Henry	D11/39

D424,966 S *	5/2000	Ofiesh, II	D11/26
6,062,045 A *	5/2000	West	A44C 9/00 63/15
D429,657 S *	8/2000	Baghdassarian	D11/3
6,260,383 B1 *	7/2001	Warren	A44C 9/00 63/15
D450,009 S *	11/2001	Molfese	D11/26
D458,867 S *	6/2002	Tschetter	D11/39
6,928,734 B1 *	8/2005	West	A44C 9/00 63/15
D515,450 S *	2/2006	Schiesl-Griesinger	D11/4
D567,701 S *	4/2008	Nisguretsky	D11/39
D646,600 S *	10/2011	Minkkinen	D11/3
8,875,892 B1 *	11/2014	Warner	A44C 5/003 206/533

(Continued)

Primary Examiner — Cynthia Ramirez
Assistant Examiner — Llorellys Martinez-Rivera
(74) *Attorney, Agent, or Firm* — Norton Rose Fulbright
US LLP

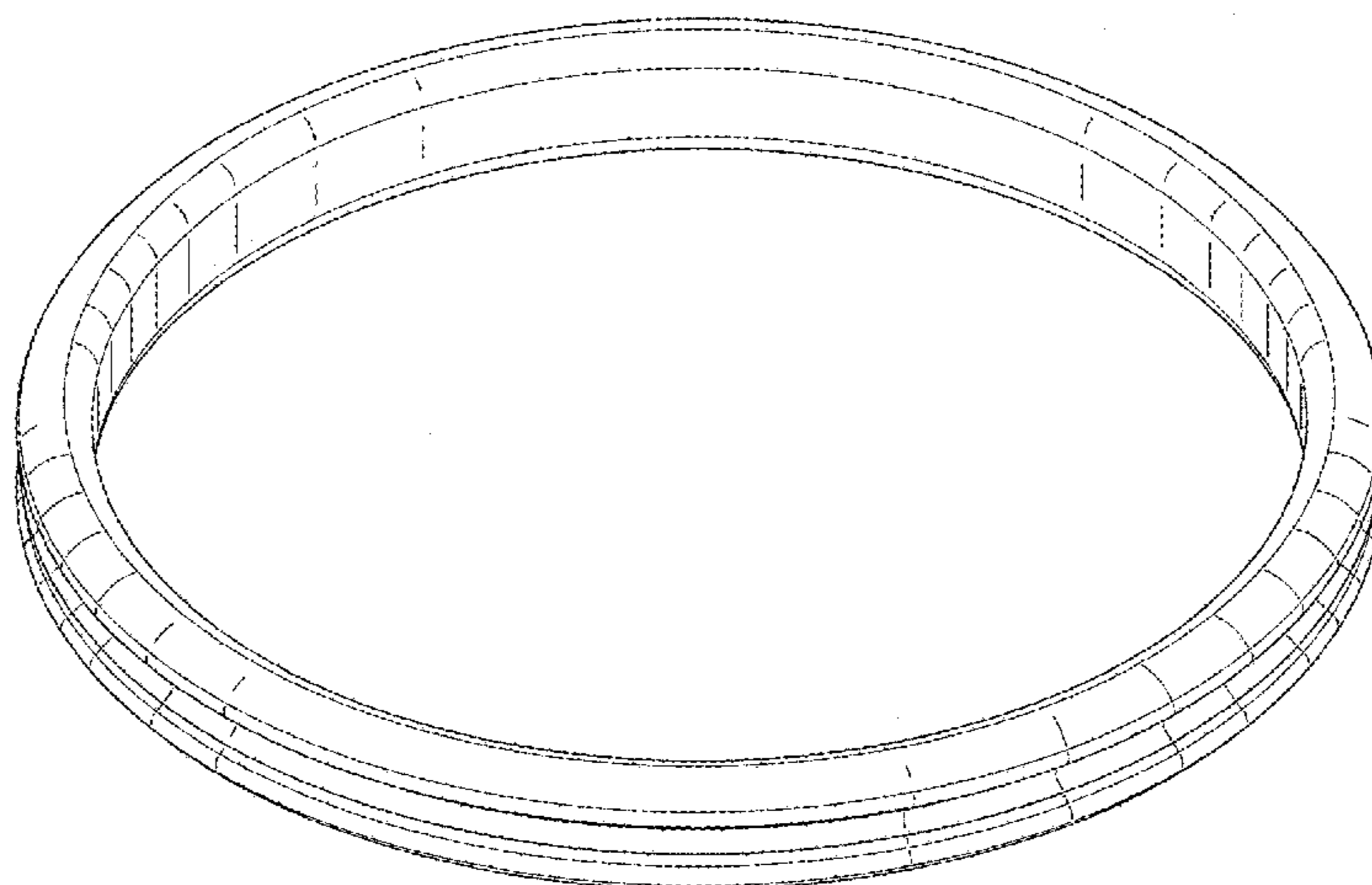
(57) **CLAIM**

The ornamental design for a bracelet, as shown and described.

DESCRIPTION

FIG. 1 is a front perspective view of a bracelet showing a first embodiment of my new design;
FIG. 2 is a front elevation view thereof;
FIG. 3 is a back elevation view thereof;
FIG. 4 is a left side elevation view thereof;
FIG. 5 is right side elevation view thereof;
FIG. 6 is a top plan view thereof;
FIG. 7 is a bottom plan view thereof;
FIG. 8 is a cross-sectional view thereof, taken along lines 8-8 of FIG. 6; and,
FIG. 9 is a front perspective view, showing the bracelet in an environment of use.
The broken lines shown in FIG. 9 represent environmental subject matter only and form no part of the claimed design.

1 Claim, 6 Drawing Sheets



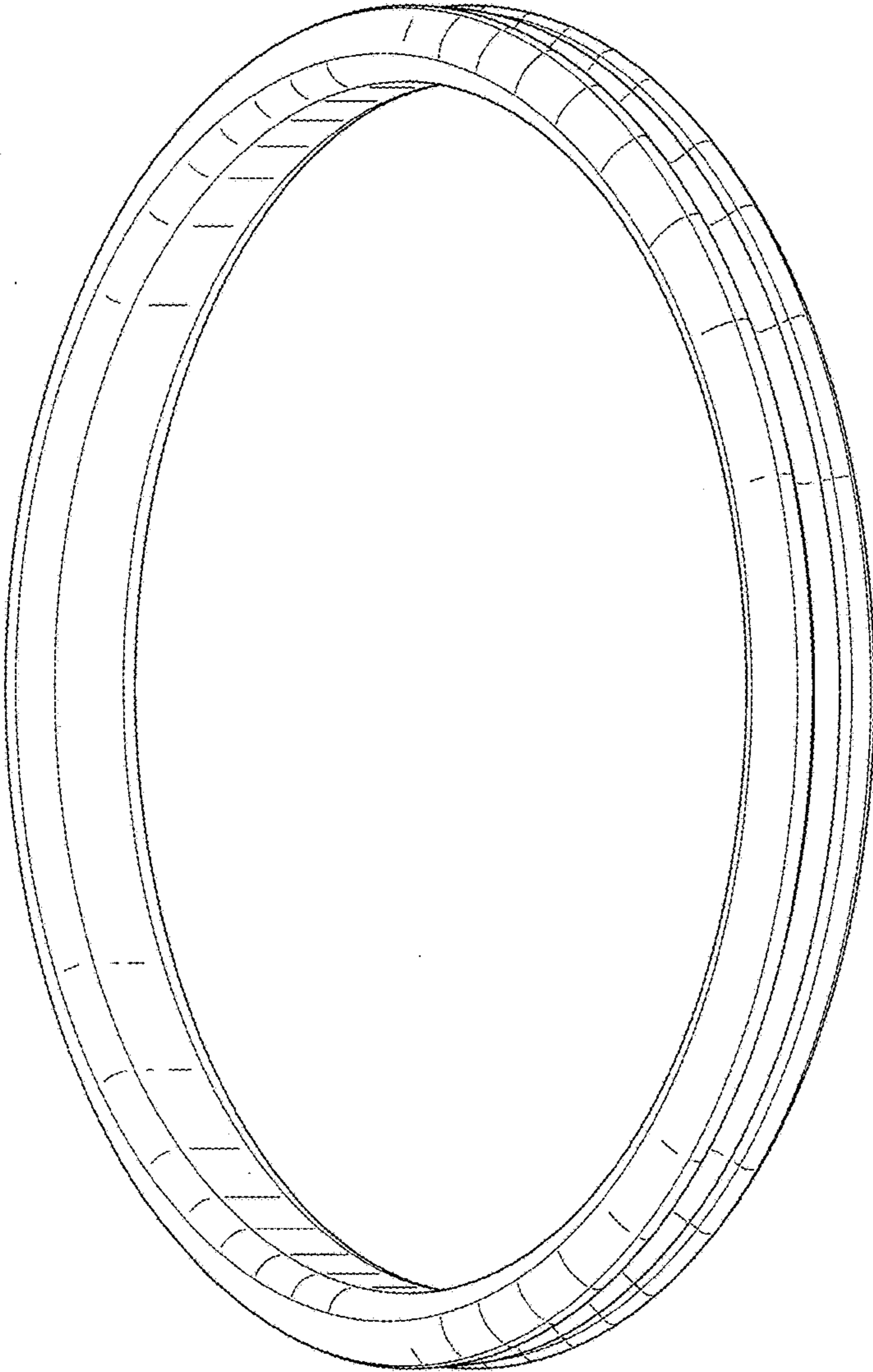


FIG. 1

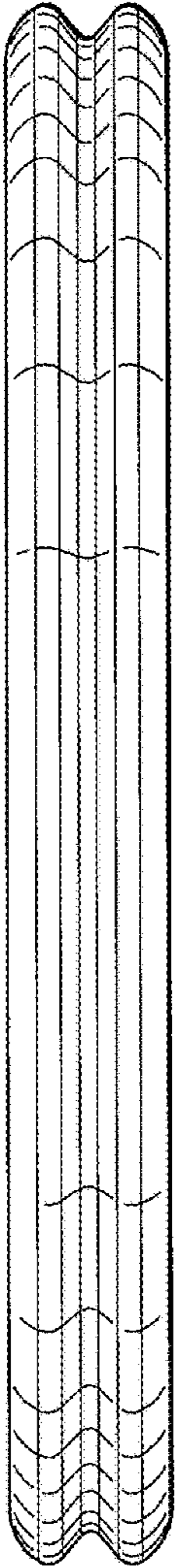


FIG. 2

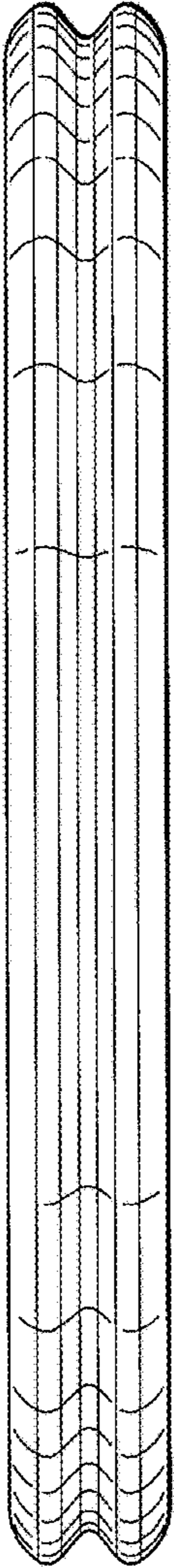


FIG. 3

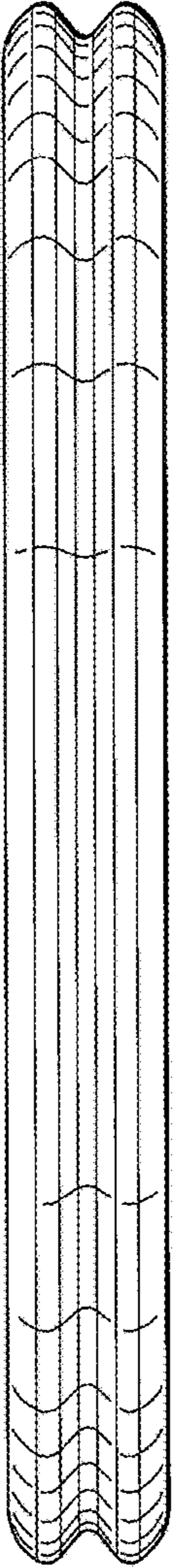


FIG. 4

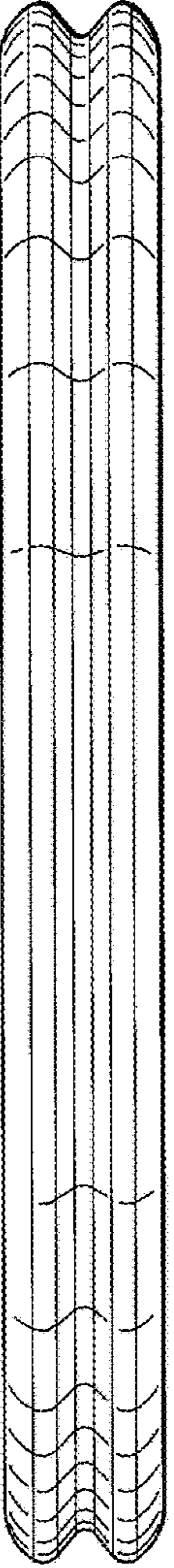


FIG. 5

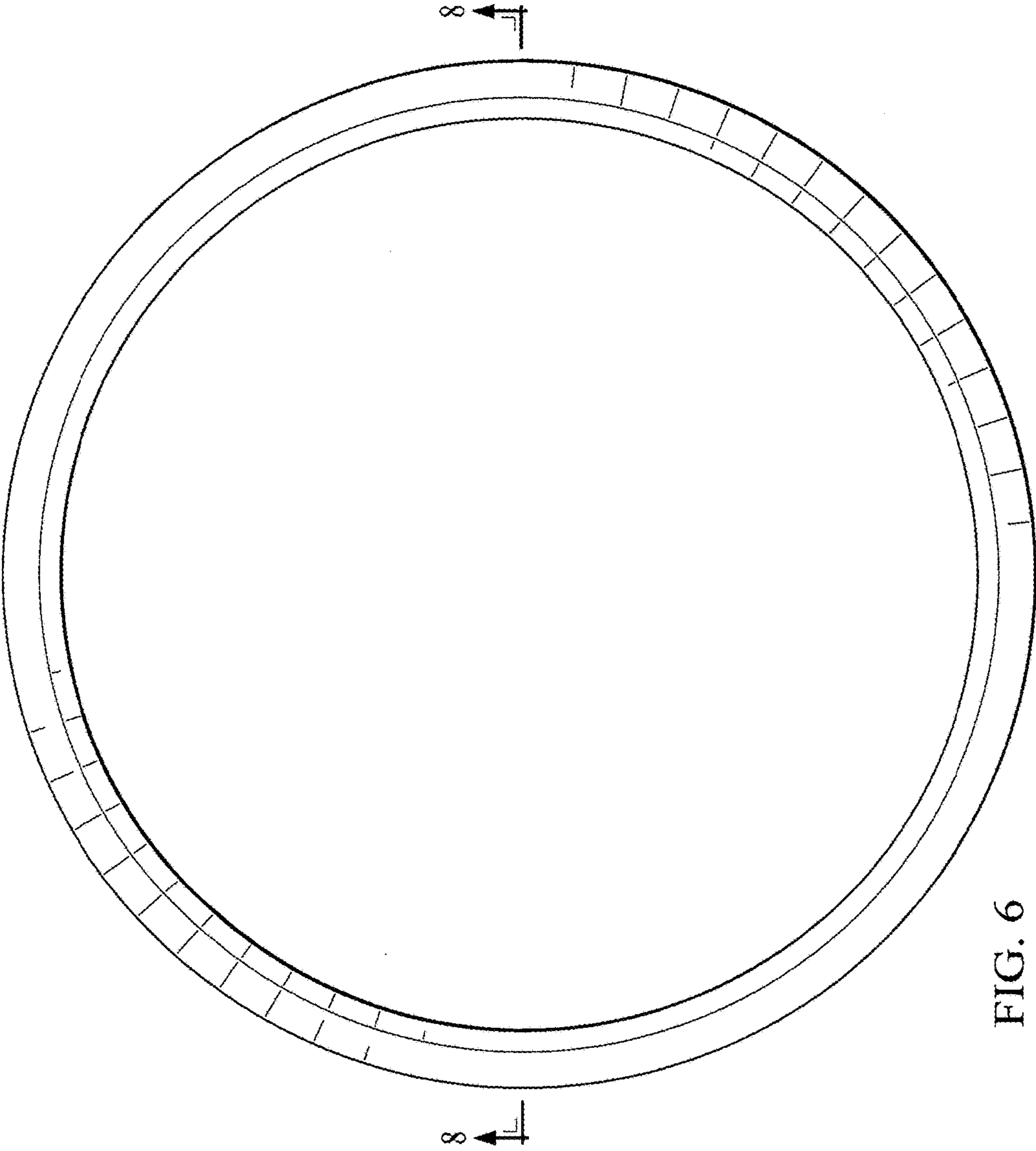


FIG. 6

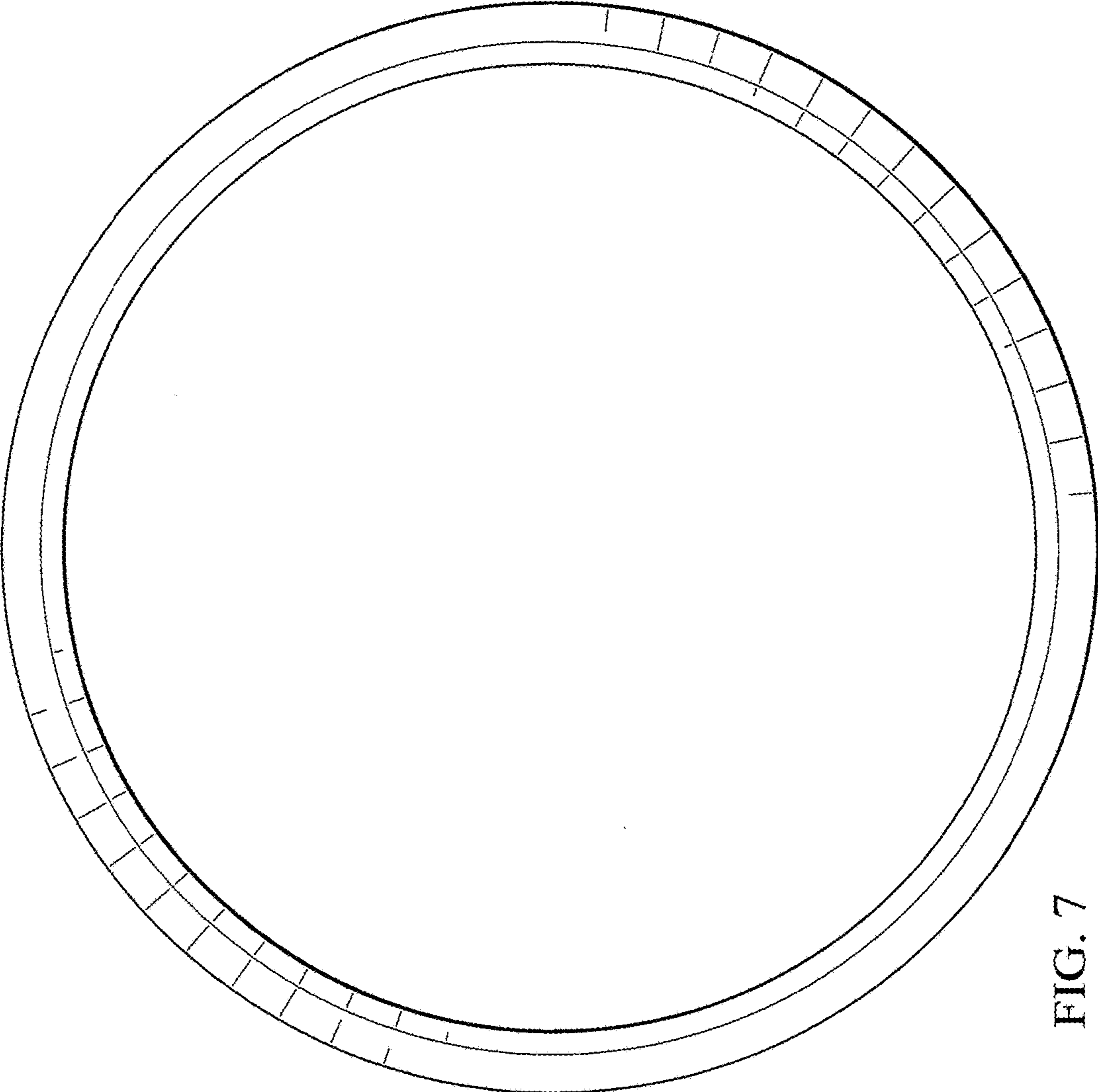


FIG. 7

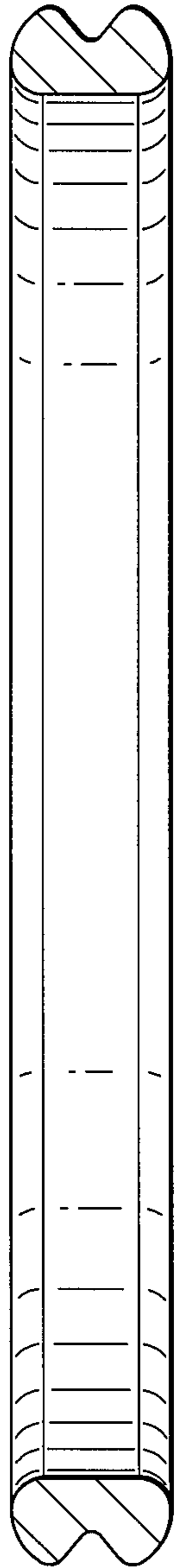


FIG. 8

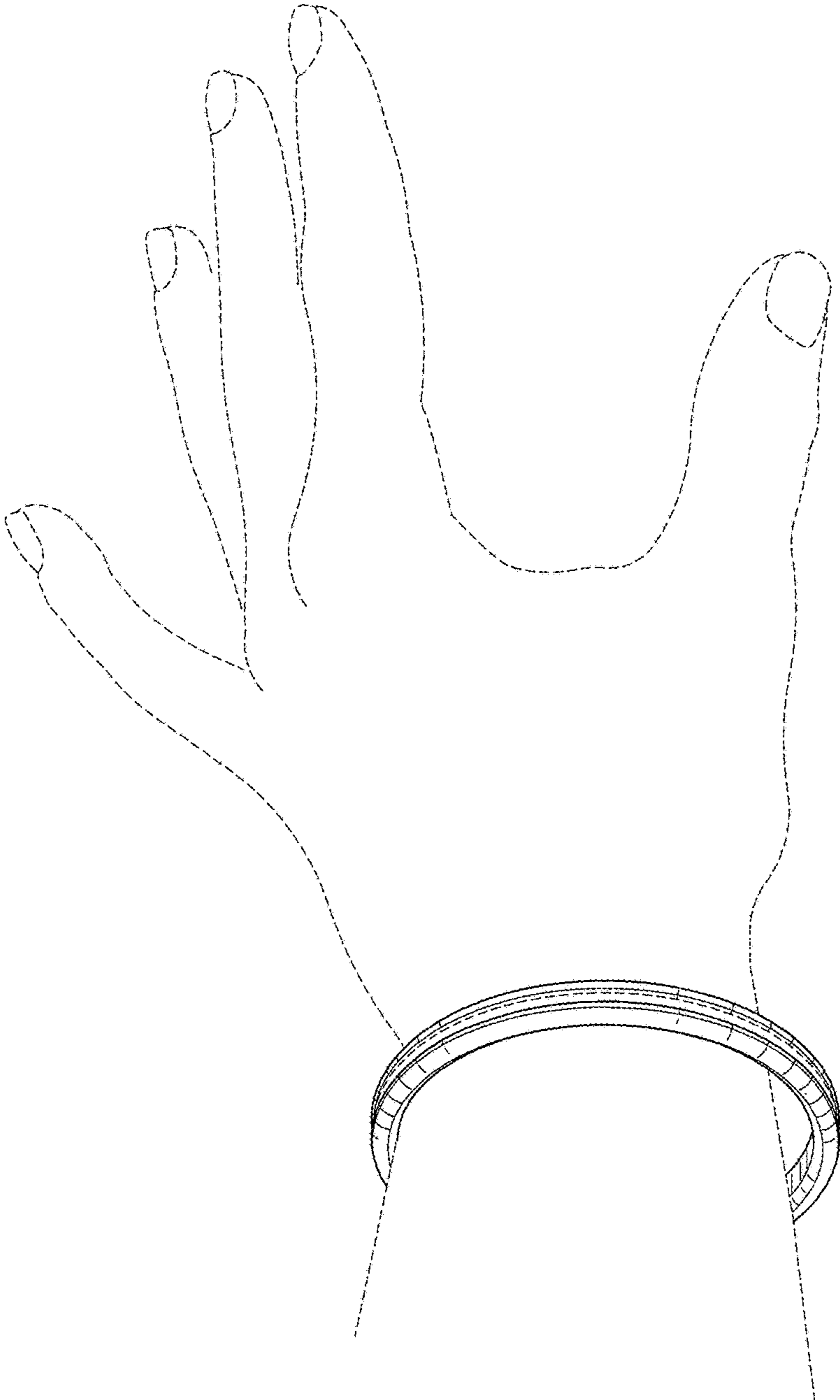


FIG. 9