



US00D807219S

(12) **United States Design Patent** (10) **Patent No.:** **US D807,219 S**  
**Ling et al.** (45) **Date of Patent:** **\*\* Jan. 9, 2018**

(54) **WEARABLE FITNESS BAND STRAP SET**

(71) Applicant: **Fitbit, Inc.**, San Francisco, CA (US)

(72) Inventors: **Kenneth S. M. Ling**, San Francisco, CA (US); **Alexander Joseph Ringrose**, Oakland, CA (US); **Patrick James Markan**, San Francisco, CA (US)

(73) Assignee: **Fitbit, Inc.**, San Francisco, CA (US)

(\*\*) Term: **14 Years**

(21) Appl. No.: **29/524,019**

(22) Filed: **Apr. 15, 2015**

**Related U.S. Application Data**

(63) Continuation of application No. 29/521,264, filed on Mar. 20, 2015, now Pat. No. Des. 759,516, which is a continuation-in-part of application No. 29/520,607, filed on Mar. 16, 2015, now abandoned.

(51) **LOC (11) Cl.** ..... **11-01**

(52) **U.S. Cl.**  
USPC ..... **D11/3**

(58) **Field of Classification Search**  
USPC ..... D11/1-26; D10/70, 98, 32, 38; D24/167, 200; D14/344; D3/203.1, 215, D3/218, 201  
CPC ..... A44C 5/00; A44C 5/0007; A44C 5/0015; A44C 5/0023; A44C 5/003; A44C 5/0038; A44C 5/0053; A44C 5/0061; A44C 5/0069; A44C 5/0076; A44C 5/0084; A44C 5/0092; A44C 5/20; A61B 5/02405

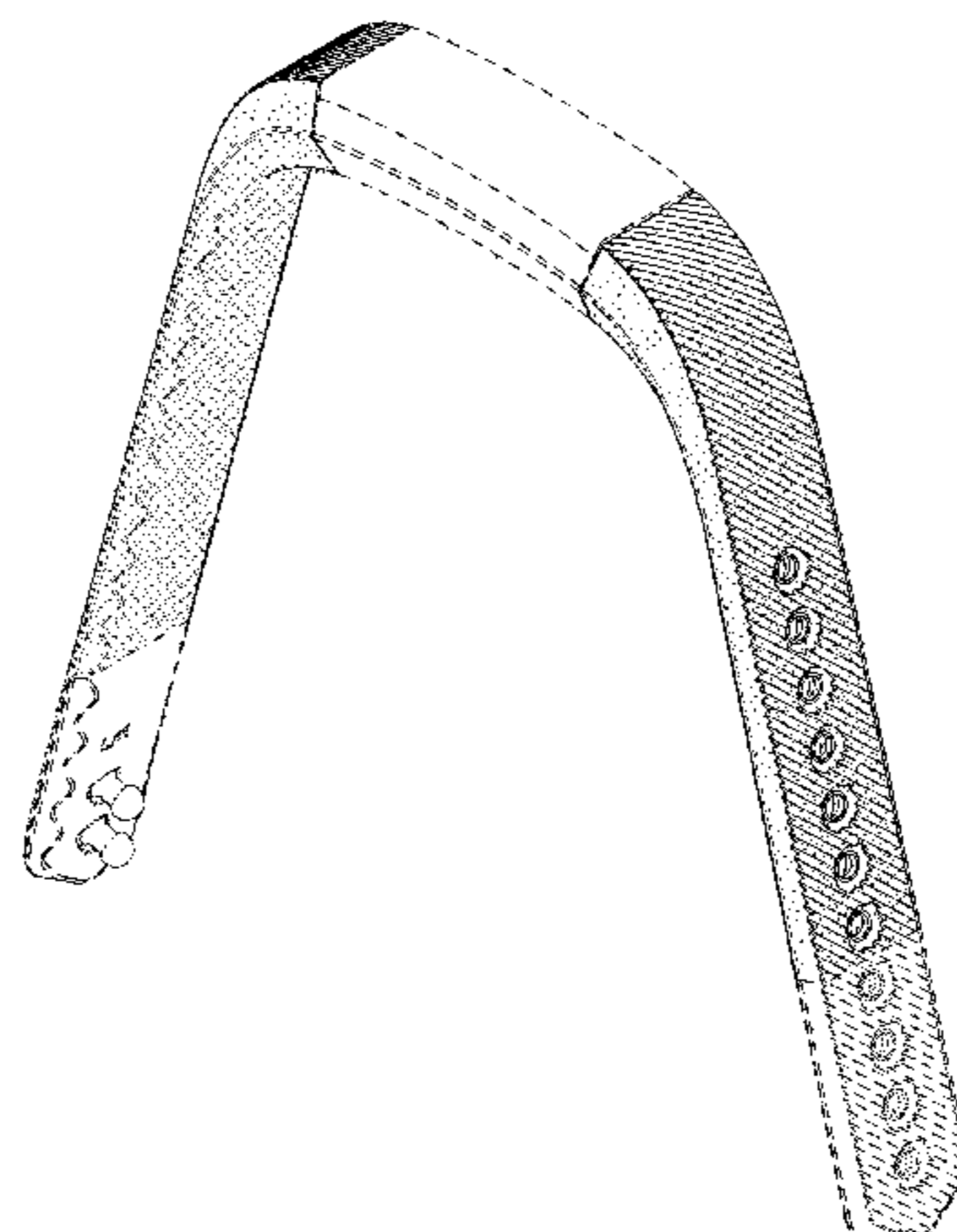
See application file for complete search history.

(56) **References Cited**

**U.S. PATENT DOCUMENTS**

128,447 A 6/1872 Yeiser  
134,735 A 1/1873 Cornell  
D44,545 S 8/1913 Robbins  
1,120,961 A 12/1914 Morse

1,135,409 A 4/1915 Simmons  
1,403,600 A 1/1922 Grand et al.  
1,621,325 A 3/1927 Kraemer  
1,709,179 A 4/1929 Lederer  
D82,186 S 9/1930 Speidel  
2,106,540 A 1/1938 Smith  
2,211,698 A 8/1940 Kreisler et al.  
D141,753 S 7/1945 Ou Bois  
2,650,398 A 9/1953 Bangs  
2,871,592 A 2/1959 Polzin  
2,901,806 A 9/1959 Henshel  
2,986,794 A 6/1961 Boots  
3,030,686 A 4/1962 Burkhardt  
3,237,395 A 3/1966 Bennett  
3,675,284 A 7/1972 Rieth  
3,740,804 A 6/1973 Levinger  
RE28,793 E 5/1976 Bert  
D249,455 S 9/1978 Tilley  
4,348,000 A 9/1982 Hanner  
4,382,318 A 5/1983 Takimoto  
D272,759 S 2/1984 Koziol  
D281,405 S 11/1985 Bulgari  
D291,423 S 8/1987 Lajoie  
D299,718 S 2/1989 Steer et al.  
D305,422 S 1/1990 Steer et al.  
D311,706 S 10/1990 Zaugg et al.  
D315,111 S 3/1991 Rogalski  
D323,787 S 2/1992 Moorman  
D331,020 S 11/1992 Ishii et al.  
D333,994 S 3/1993 Mesnard  
D383,073 S 9/1997 Miller  
D387,692 S 12/1997 Hanagata  
D400,112 S 10/1998 Rider  
D405,381 S 2/1999 Perrin et al.  
D407,341 S 3/1999 Oshita  
5,951,193 A 9/1999 Yamamoto et al.  
D445,041 S 7/2001 Tan et al.  
D449,008 S 10/2001 Sargent  
D455,093 S 4/2002 Fitzgerald  
D471,471 S 3/2003 Fu et al.  
D480,653 S 10/2003 Lo  
6,738,317 B2 5/2004 Nussbaum  
D500,688 S 1/2005 Schwarz  
D517,441 S 3/2006 Heatherly et al.  
D528,439 S 9/2006 Burton  
D528,928 S 9/2006 Burton  
D535,055 S 1/2007 Been et al.  
D536,265 S 2/2007 Reynoso  
D538,687 S 3/2007 Komulainen  
D545,220 S 6/2007 Leung  
D548,128 S 8/2007 Andren et al.  
D549,602 S 8/2007 Oberrieder et al.  
D550,105 S 9/2007 Oberrieder et al.





2014/0316305 A1 10/2014 Venkatraman et al.  
 2016/0015136 A1\* 1/2016 Yue ..... A44C 5/2071  
 63/1.11  
 2016/0072554 A1 3/2016 Sharma  
 2016/0223992 A1 8/2016 Seo et al.

## FOREIGN PATENT DOCUMENTS

CN 302903439 S 8/2014

## OTHER PUBLICATIONS

U.S. Notice of Allowance, dated Feb. 4, 2016, issued in U.S. Appl. No. 29/520,607.  
 U.S. Notice of Allowance, dated Mar. 4, 2016, issued in U.S. Appl. No. 29/521,264.  
 U.S. Notice of Allowance, dated Apr. 14, 2016, issued in U.S. Appl. No. 29/524,025.  
 Chinese Office Action [Description in English] dated Feb. 14, 2016 issued in CN201530255881.7.  
 Chinese Office Action [Description in English] dated Feb. 14, 2016 issued in CN201530256087.4.  
 Chinese Office Action [Description in English] dated Feb. 14, 2016 issued in CN201530255977.3.  
 Chinese Office Action [Description in English] dated Jul. 30, 2015 issued in CN201530134185.0.  
 Chinese Office Action [Description in English] dated Dec. 18, 2015 issued in CN201530134185.0.  
 U.S. Office Action, dated Aug. 4, 2014, issued in U.S. Appl. No. 29/468,506.  
 U.S. Notice of Allowance, dated Oct. 24, 2014, issued in U.S. Appl. No. 29/468,506.  
 U.S. Notice of Allowance, dated Aug. 15, 2014, issued in U.S. Appl. No. 29/468,517.  
 U.S. Office Action, dated Jun. 5, 2015, issued in U.S. Appl. No. 29/468,522.  
 U.S. Notice of Allowance, dated Oct. 9, 2015, issued in U.S. Appl. No. 29/468,522.  
 U.S. Notice of Allowance, dated Oct. 9, 2015 issued in U.S. Appl. No. 29/497,740.  
 U.S. Office Action [*Ex Parte Quayle*], dated May 10, 2016 issued in U.S. Appl. No. 29/549,341.  
 U.S. Notice of Allowance [Notice of Allowability], dated Jul. 22, 2016 issued in U.S. Appl. No. 29/549,341.  
 U.S. Notice of Allowance, dated Jan. 7, 2015, issued in U.S. Appl. No. 29/498,195.  
 U.S. Notice of Allowance [Corrected Notice of Allowability for a Design Application], dated Feb. 10, 2015, issued in U.S. Appl. No. 29/498,195.  
 U.S. Notice of Allowance, dated Jan. 7, 2015, issued in U.S. Appl. No. 29/499,065.  
 U.S. Notice of Allowance [Corrected Notice of Allowability for a Design Application], dated Feb. 10, 2015, issued in U.S. Appl. No. 29/499,065.  
 U.S. Office Action, dated Sep. 25, 2015, issued in U.S. Appl. No. 29/500,837.  
 U.S. Notice of Allowance, dated Mar. 28, 2016, issued in U.S. Appl. No. 29/500,837.  
 U.S. Notice of Allowance dated May 11, 2016, issued in U.S. Appl. No. 29/500,837.  
 U.S. Notice of Allowance, dated Aug. 3, 2016, issued in U.S. Appl. No. 29/524,028.  
 U.S. Notice of Allowance, dated Oct. 11, 2016, issued in U.S. Appl. No. 29/537,616.  
 U.S. Notice of Allowance, dated Apr. 14, 2016, issued in U.S. Appl. No. 29/541,358.  
 U.S. Notice of Allowance, dated Apr. 13, 2016, issued in U.S. Appl. No. 29/541,364.  
 U.S. Notice of Allowance [Corrected Notice of Allowability], dated May 31, 2016, issued in U.S. Appl. No. 29/541,364.  
 Chinese First Office Action dated Oct. 29, 2014 issued in CN 201430316587.8.

Chinese Office Action [Description in English] dated May 23, 2016 issued in CN201530465785.5.  
 Chinese Office Action [Description in English] dated Sep. 27, 2016 issued in CN201630295320.4.  
 Chinese Office Action [Description in English] dated Jan. 6, 2017 issued in CN201630295320.4.  
 Chinese Office Action [Description in English] dated Sep. 28, 2016 issued in CN201630295177.9.  
 Chinese Office Action [Description in English] dated Jan. 20, 2017 issued in CN201630492536.X.  
 Chinese Second Office Action [no translation] dated Apr. 1, 2017 issued in CN201630492536.X.  
 Fitbit Alta Bands (available online Jul. 27, 2016) [Retrieved from the internet Feb. 17, 2017, retrieved from the internet URL:<https://www.amazon.com/Fitbit-Bands-AK-Replacement-Metal/dp/B01G1TBJY4>], 5pp.  
 Fitbit Alta (available online Feb. 4, 2016) [Retrieved from the internet Feb. 24, 2017, retrieved from the internet URL:<https://www.fitbit.com/alta>], 2pp.  
 Fitbit Flex Wireless Activity + Sleep Wristband, Amazon.com, first reviewed on Apr. 16, 2013, only. Site visited Jul. 22, 2014. Internet URL: <"[http://www.amazon.com/Fitbit-Wireless-Activity-Sleep-Wristband/dp/B00BGO0Q90/ref=cm\\_cr\\_pr\\_product\\_top](http://www.amazon.com/Fitbit-Wireless-Activity-Sleep-Wristband/dp/B00BGO0Q90/ref=cm_cr_pr_product_top)">, 1 page.  
 Pinterest—The world's catalog of ideas, "Product Teardowns" (available online) [Retrieved from the internet Feb. 27, 2017, retrieved from the internet URL: <https://www.pinterest.com/pin/123356477268447010/>], 3pp.  
 Suppa G-Shock Strap adapters (available online Dec. 13, 2013) [Retrieved from the internet Feb. 7, 2017, retrieved from the internet URL: <http://forums.watchuseek.com/f17/suppa-g-shock-strap-adapters-954103.html>], 2pp.  
 Suunto Lug Adapter (available online) [Retrieved from the internet Feb. 7, 2017, retrieved from the internet URL:[http://www.imgrum.net/media/805121195814698214\\_1428232830](http://www.imgrum.net/media/805121195814698214_1428232830)], 1 page.  
 U.S. Appl. No. 29/520,607, filed Mar. 16, 2015, Ling et al.  
 U.S. Appl. No. 29/524,027, filed Apr. 15, 2015, Ling et al.  
 U.S. Appl. No. 29/541,361, filed Oct. 2, 2015, Nielsen et al.  
 U.S. Appl. No. 29/541,365, filed Oct. 2, 2015, Nielsen et al.  
 U.S. Appl. No. 29/541,368, filed Oct. 2, 2015, Nielsen et al.  
 U.S. Appl. No. 29/553,318, filed Jan. 29, 2016, Ling et al.  
 U.S. Appl. No. 29/553,921, filed Feb. 5, 2016, Nielsen et al.  
 U.S. Appl. No. 29/563,187, filed May 3, 2016, Ling et al.  
 U.S. Appl. No. 29/563,190, filed May 3, 2016, Ling et al.  
 U.S. Appl. No. 29/563,191, filed May 3, 2016, Ling et al.  
 U.S. Appl. No. 29/563,192, filed May 3, 2016, Lowe et al.  
 U.S. Appl. No. 29/563,195, filed May 3, 2016, Lowe et al.  
 U.S. Appl. No. 29/563,198, filed May 3, 2016, Lowe et al.  
 U.S. Appl. No. 29/563,201, filed May 3, 2016, Lowe et al.  
 U.S. Appl. No. 29/563,922, filed May 9, 2016, Paschke et al.  
 U.S. Appl. No. 29/565,818, filed May 24, 2016, Page et al.  
 U.S. Appl. No. 29/568,027, filed Jun. 14, 2016, Paschke et al.  
 U.S. Appl. No. 29/568,607, filed Jun. 20, 2016, Paschke et al.  
 U.S. Appl. No. 29/569,701, filed Jun. 29, 2016, Nielsen et al.  
 U.S. Appl. No. 29/571,687, filed Jul. 20, 2016, Lean et al.  
 U.S. Appl. No. 29/572,962, filed Aug. 1, 2016, Lean et al.  
 U.S. Appl. No. 29/572,967, filed Aug. 1, 2016, Lean et al.  
 U.S. Appl. No. 29/575,838, filed Aug. 29, 2016, Lean et al.  
 U.S. Appl. No. 29/579,649, filed Sep. 30, 2016, Lean et al.  
 U.S. Appl. No. 29/585,891, filed Nov. 29, 2016, Nielsen et al.  
 U.S. Office Action, dated Sep. 29, 2016, issued in U.S. Appl. No. 29/524,027.  
 U.S. Notice of Allowance, dated Feb. 15, 2017, issued in U.S. Appl. No. 29/569,701.  
 U.S. Office Action [*Ex Parte Quayle*], dated Feb. 27, 2017, issued in U.S. Appl. No. 29/553,921.  
 U.S. Office Action, dated Jan. 27, 2017, issued in U.S. Appl. No. 29/553,318.  
 U.S. Office Action, dated Mar. 27, 2017, issued in U.S. Appl. No. 29/563,190.  
 U.S. Office Action [*Ex Parte Quayle*], dated Mar. 2, 2017 issued in U.S. Appl. No. 29/563,191.

U.S. Office Action [*Ex Parte Quayle*], dated Feb. 10, 2017, issued in U.S. Appl. No. 29/563,195.  
 U.S. Notice of Allowance, dated Apr. 28, 2017, issued in U.S. Appl. No. 29/563,195.  
 U.S. Office Action, dated Feb. 10, 2017, issued in U.S. Appl. No. 29/563,198.  
 U.S. Office Action dated Mar. 23, 2017, issued in U.S. Appl. No. 29/563,201.  
 U.S. Notice of Allowance, dated Feb. 17, 2017, issued in U.S. Appl. No. 29/571,687.  
 U.S. Notice of Allowance, dated Apr. 17, 2017, issued in U.S. Appl. No. 29/572,962.  
 U.S. Notice of Allowance, dated Oct. 24, 2017, issued in U.S. Appl. No. 29/585,891.  
 U.S. Notice of Allowance, dated Sep. 28, 2017, issued in U.S. Appl. No. 29/563,187.  
 U.S. Notice of Allowance, dated Sep. 25, 2017, issued in U.S. Appl. No. 29/563,190.  
 U.S. Office Action, dated Sep. 22, 2017, issued in U.S. Appl. No. 29/563,192.  
 U.S. Notice of Allowance dated Aug. 25, 2017, issued in U.S. Appl. No. 29/563,201.  
 U.S. Office Action dated Aug. 24, 2017, issued in U.S. Appl. No. 29/568,027.  
 U.S. Office Action dated Aug. 24, 2017, issued in U.S. Appl. No. 29/568,607.  
 U.S. Office Action dated Oct. 5, 2017, issued in U.S. Appl. No. 29/575,838.  
 U.S. Office Action dated Oct. 5, 2017, issued in U.S. Appl. No. 29/579,649.

\* cited by examiner

*Primary Examiner* — Melanie Pellegrini  
 (74) *Attorney, Agent, or Firm* — Weaver Austin  
 Villeneuve & Sampson LLP

(57) **CLAIM**

We claim the ornamental design for a wearable fitness band strap set, as shown and described.

**DESCRIPTION**

FIG. 1 is an isometric view of a wearable fitness band strap set showing our new design.

FIG. 2 is an isometric view thereof shown in an alternate configuration.

FIG. 3 is a front view of a first strap of FIG. 1.

FIG. 4 is a back view of the first strap of FIG. 3.

FIG. 5 is a side view of the first strap of FIG. 3; the first strap is symmetric, so only one side view is shown.

FIG. 6 is a top view of the first strap of FIG. 3.

FIG. 7 is a bottom view of the first strap of FIG. 3.

FIG. 8 is a back view of a second strap of FIG. 1.

FIG. 9 is a front view of the second strap of FIG. 8.

FIG. 10 is a side view of the second strap of FIG. 8; the second strap is symmetric, so only one side view is shown.

FIG. 11 is a top view of the second strap of FIG. 8.

FIG. 12 is a bottom view of the second strap of FIG. 8.

FIG. 13 is a rear perspective view of a first strap of FIG. 8.

FIG. 14 is a front perspective view of a first strap of FIG. 8.

FIG. 15 is a rear perspective view of a second strap of FIG. 8; and,

FIG. 16 is a front perspective view of a second strap of FIG. 8.

The stipple shading shown in the drawings represents contour and not texture. The broken lines in the drawings showing logos, the ends of the straps, and latch mechanisms for the straps, and, in FIGS. 1 and 2, a peg component and case portion, represent portions of the wearable fitness band strap set which form no part of the claimed design.

In FIGS. 1-16, solid lines with a lighter line weight are used to indicate tangent edges of the claimed design and provide better understanding as to the contours of the claimed design. It is to be understood that such lighter-weight solid lines are not actually part of the ornamental design, but are merely provided as a visual aid to allow better understanding of the contours in the ornamental design.

**1 Claim, 6 Drawing Sheets**

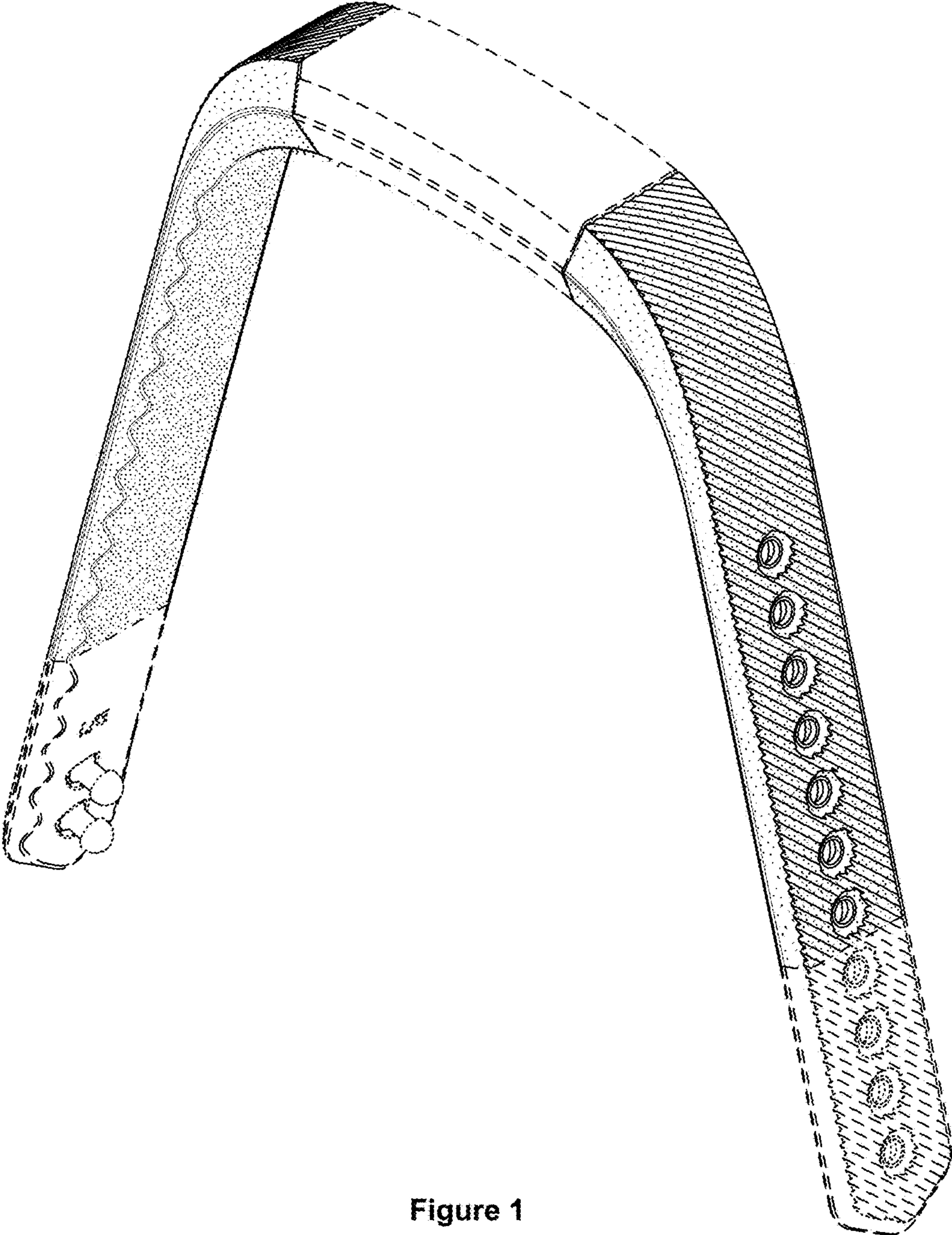


Figure 1

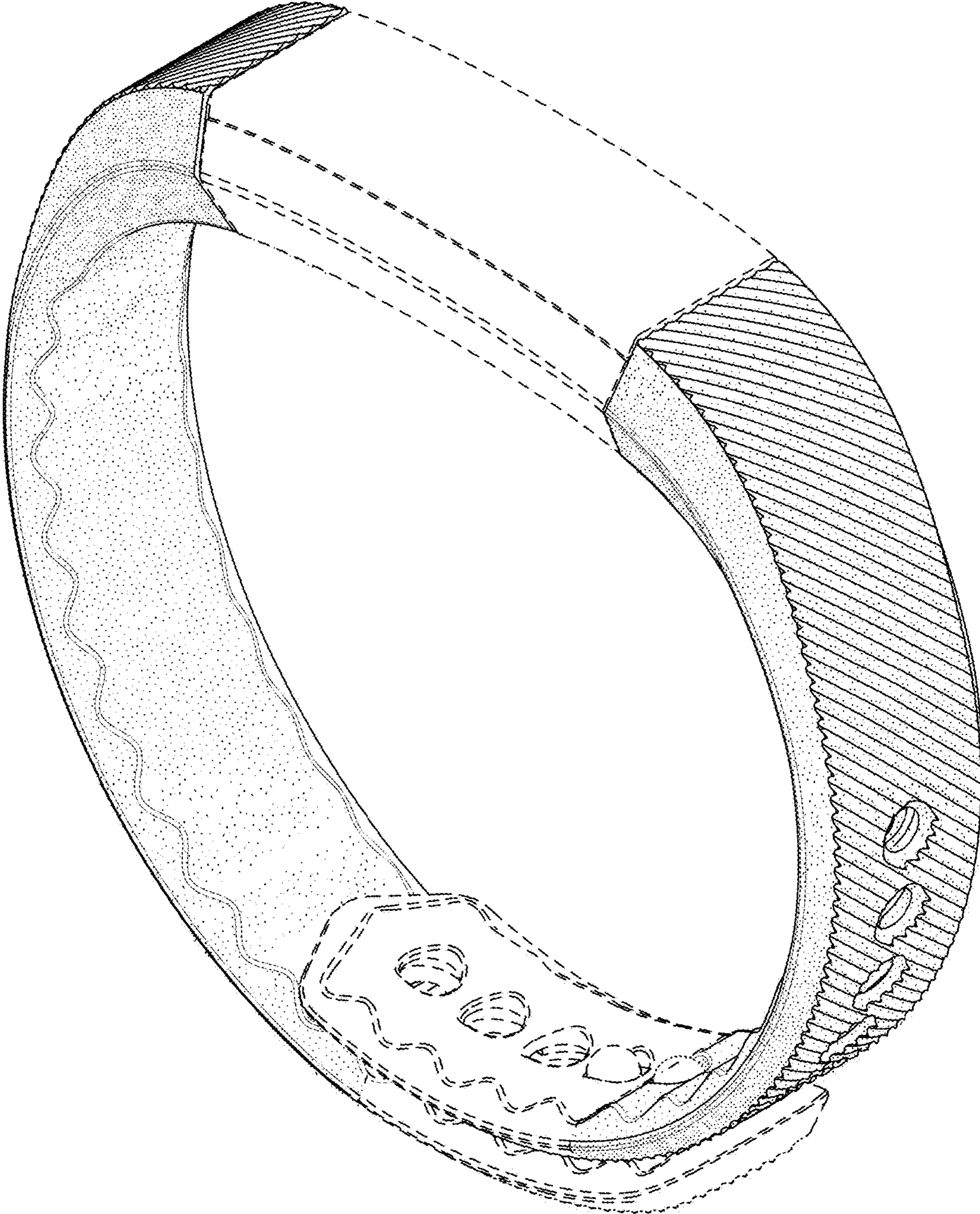


Figure 2

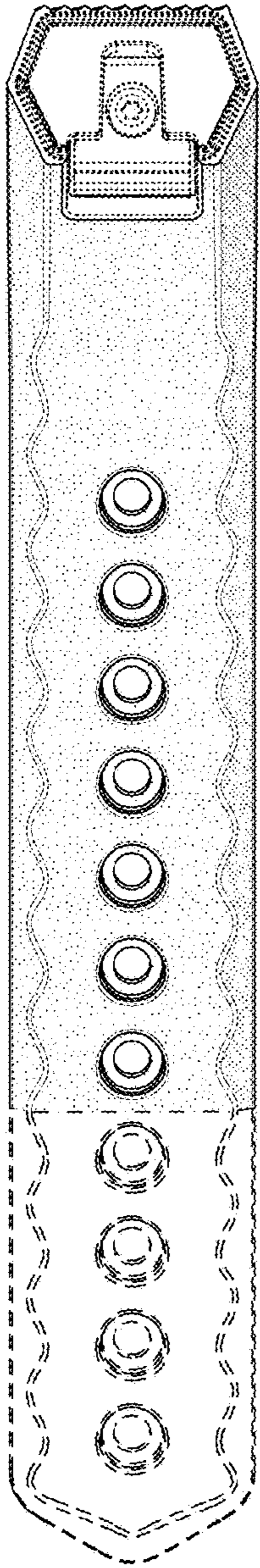


Figure 3

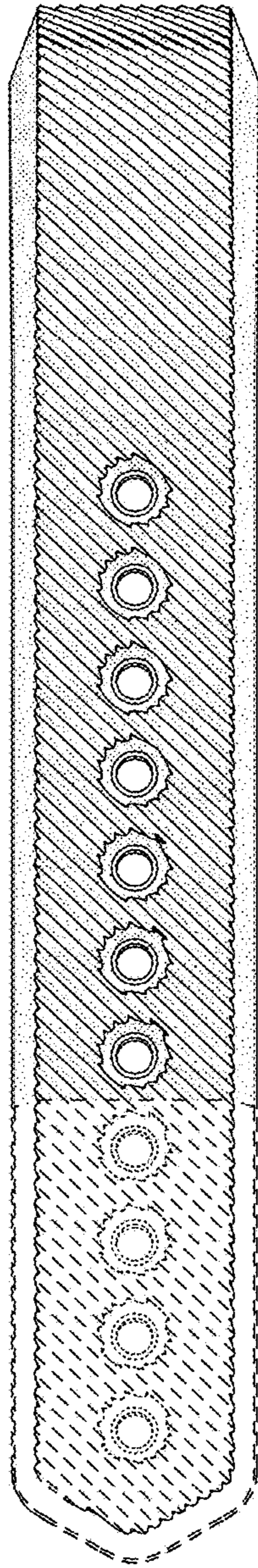


Figure 4

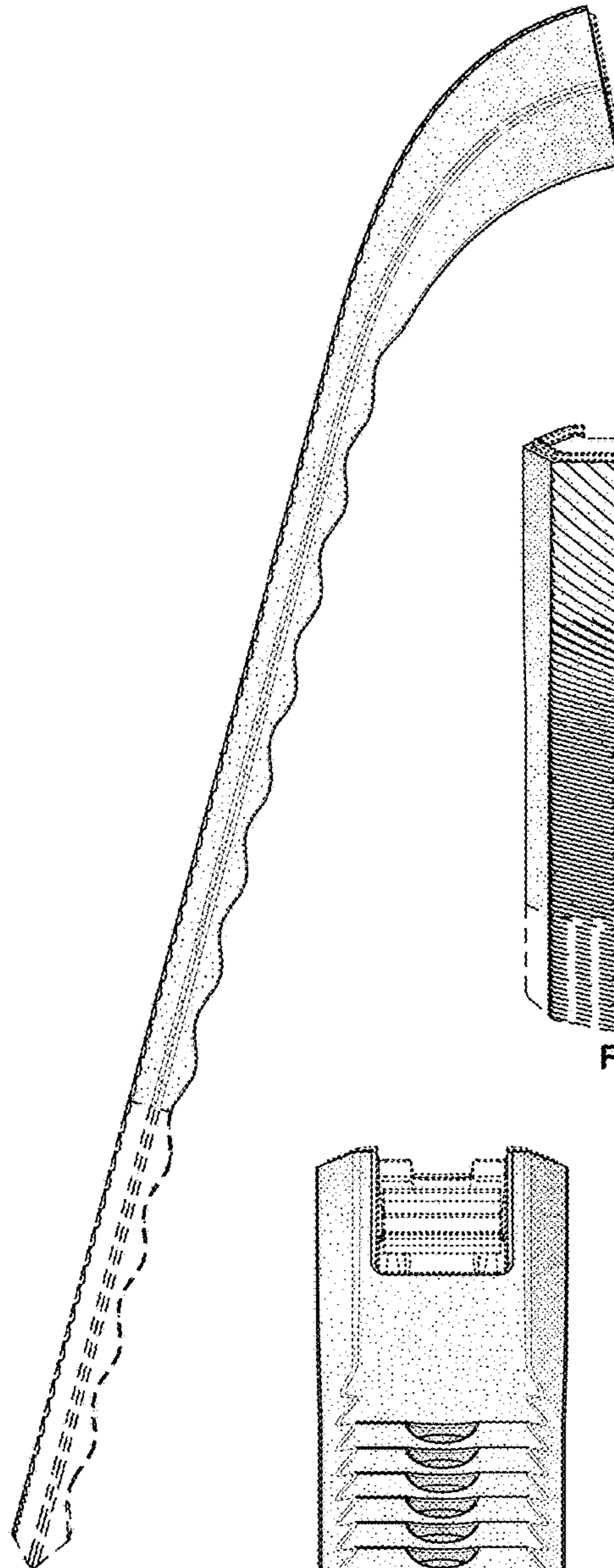


Figure 5

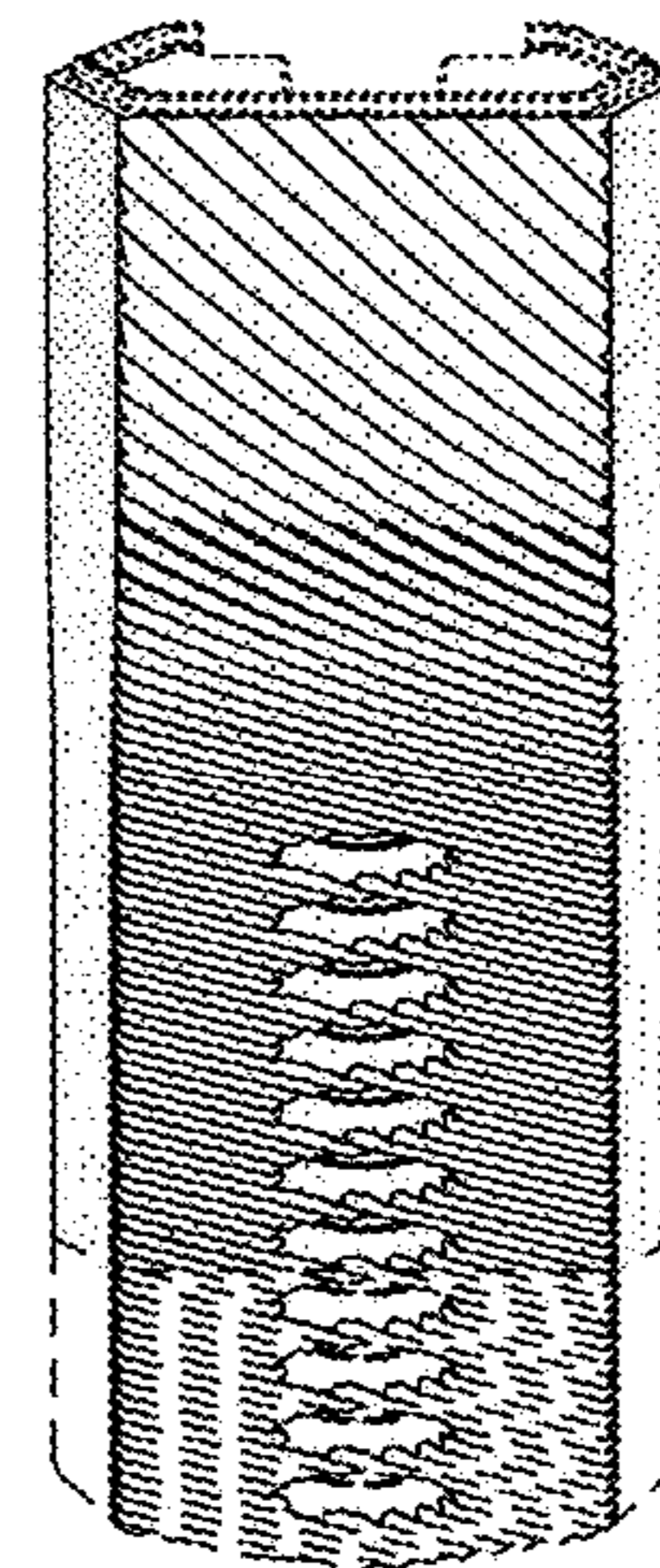


Figure 6

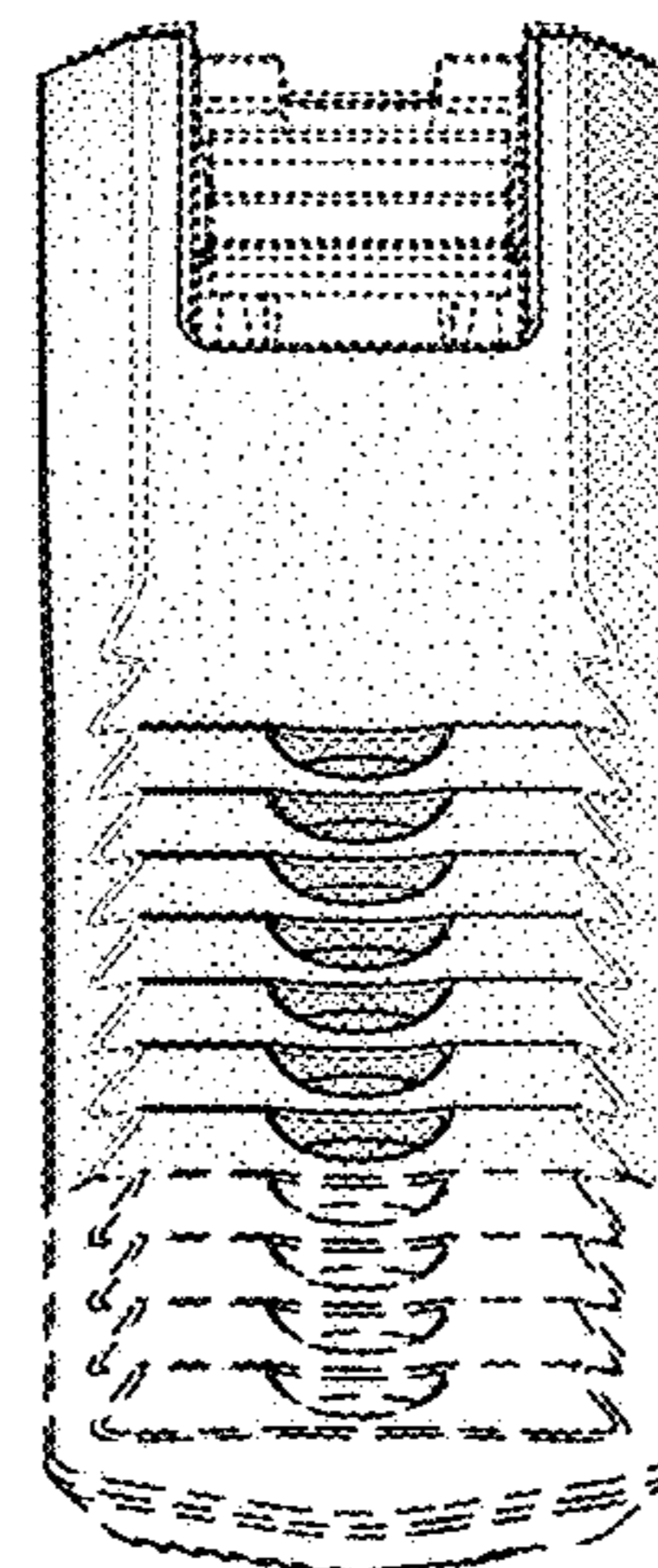


Figure 7

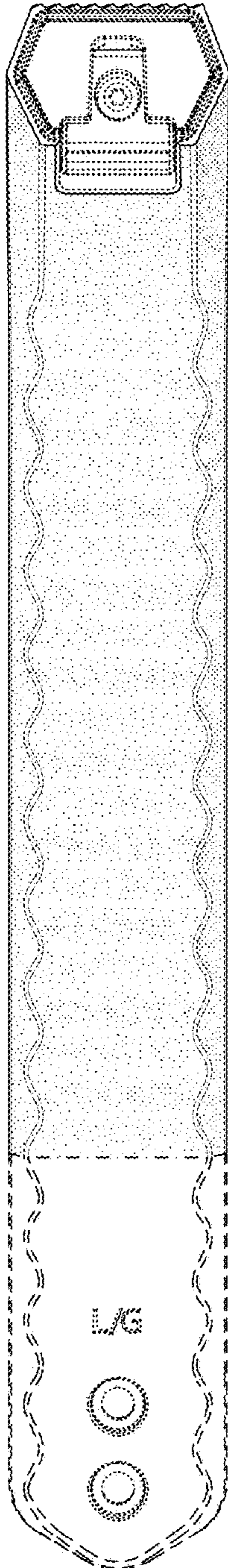


Figure 8

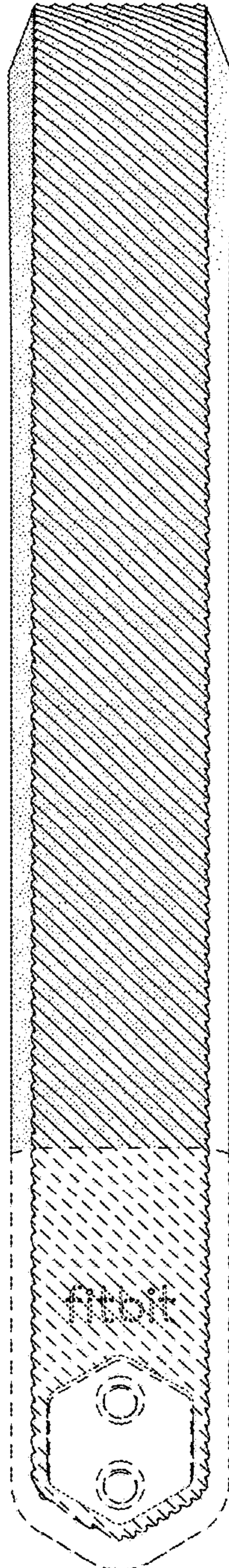


Figure 9

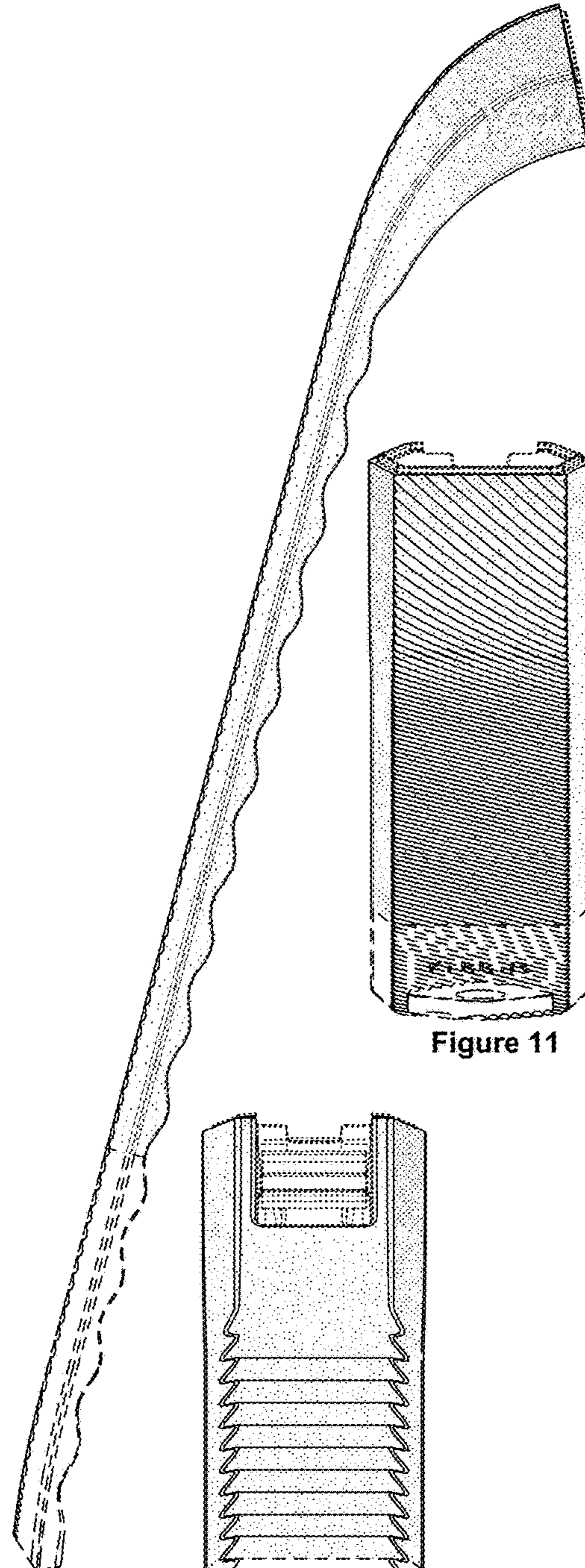


Figure 10

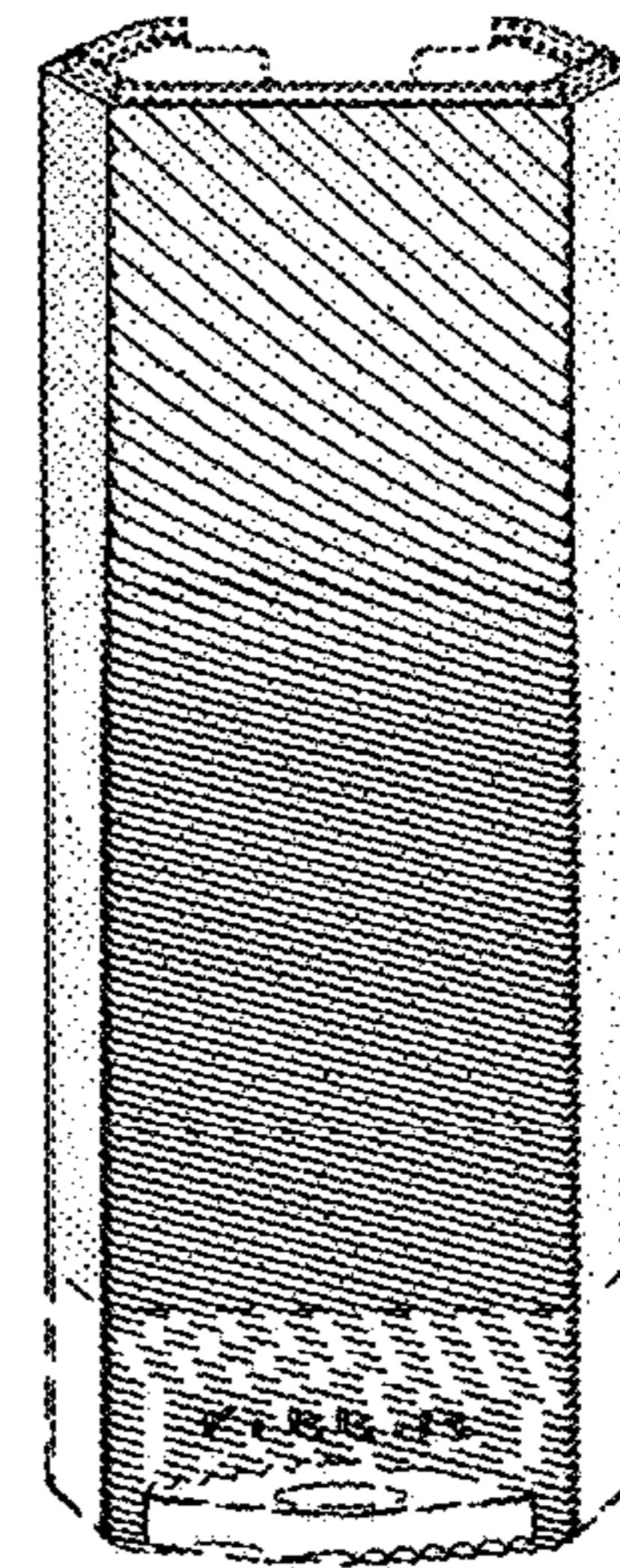


Figure 11

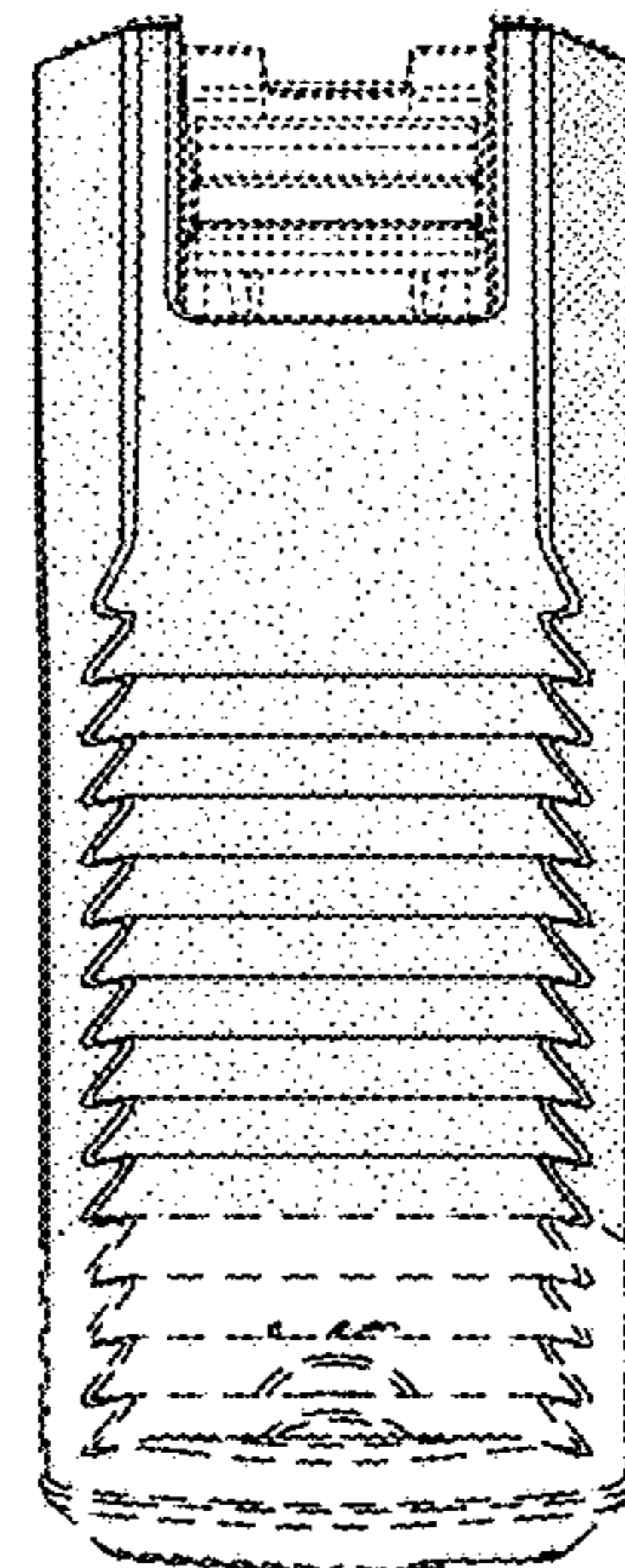


Figure 12



Figure 13

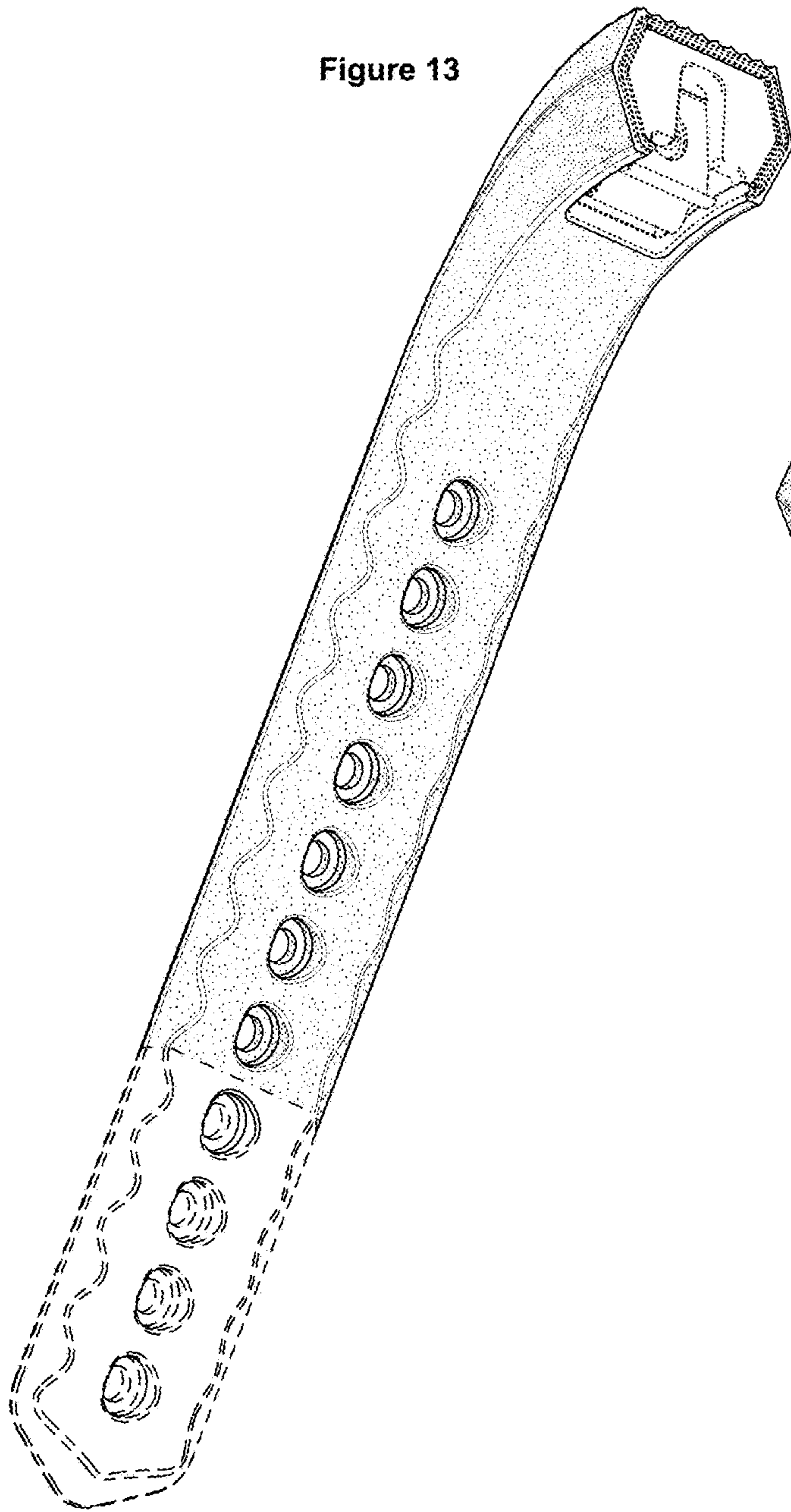
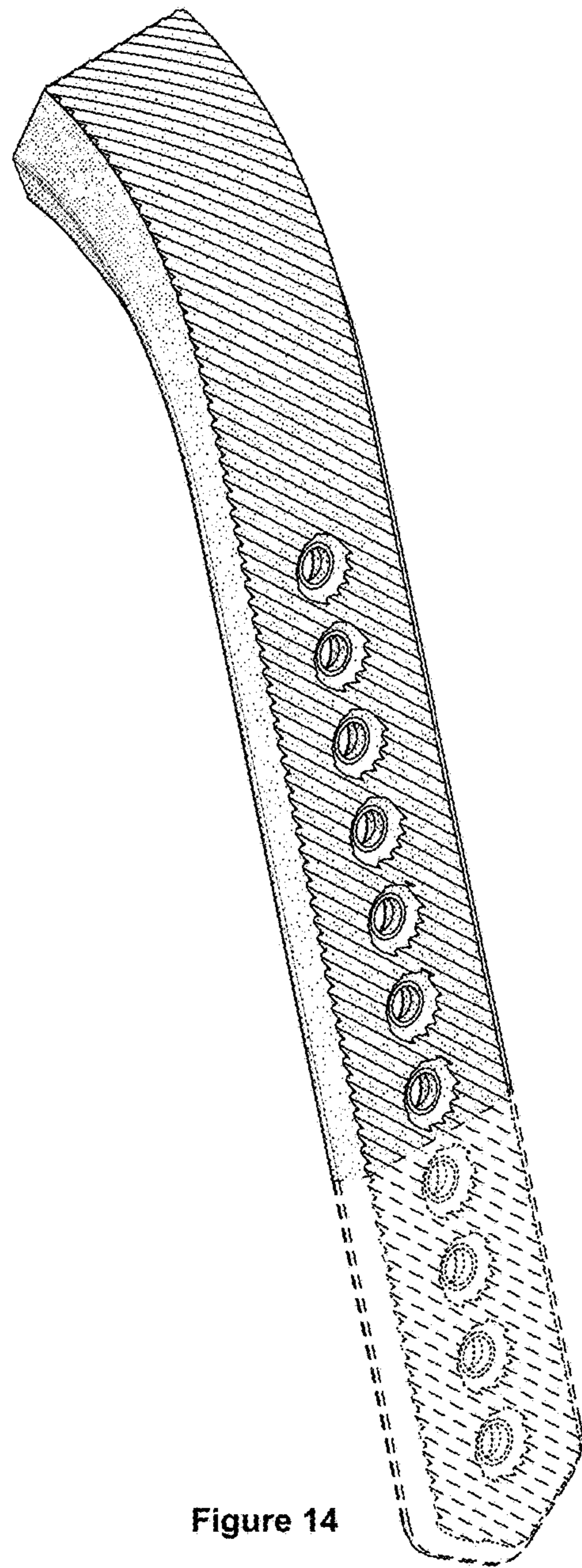


Figure 14



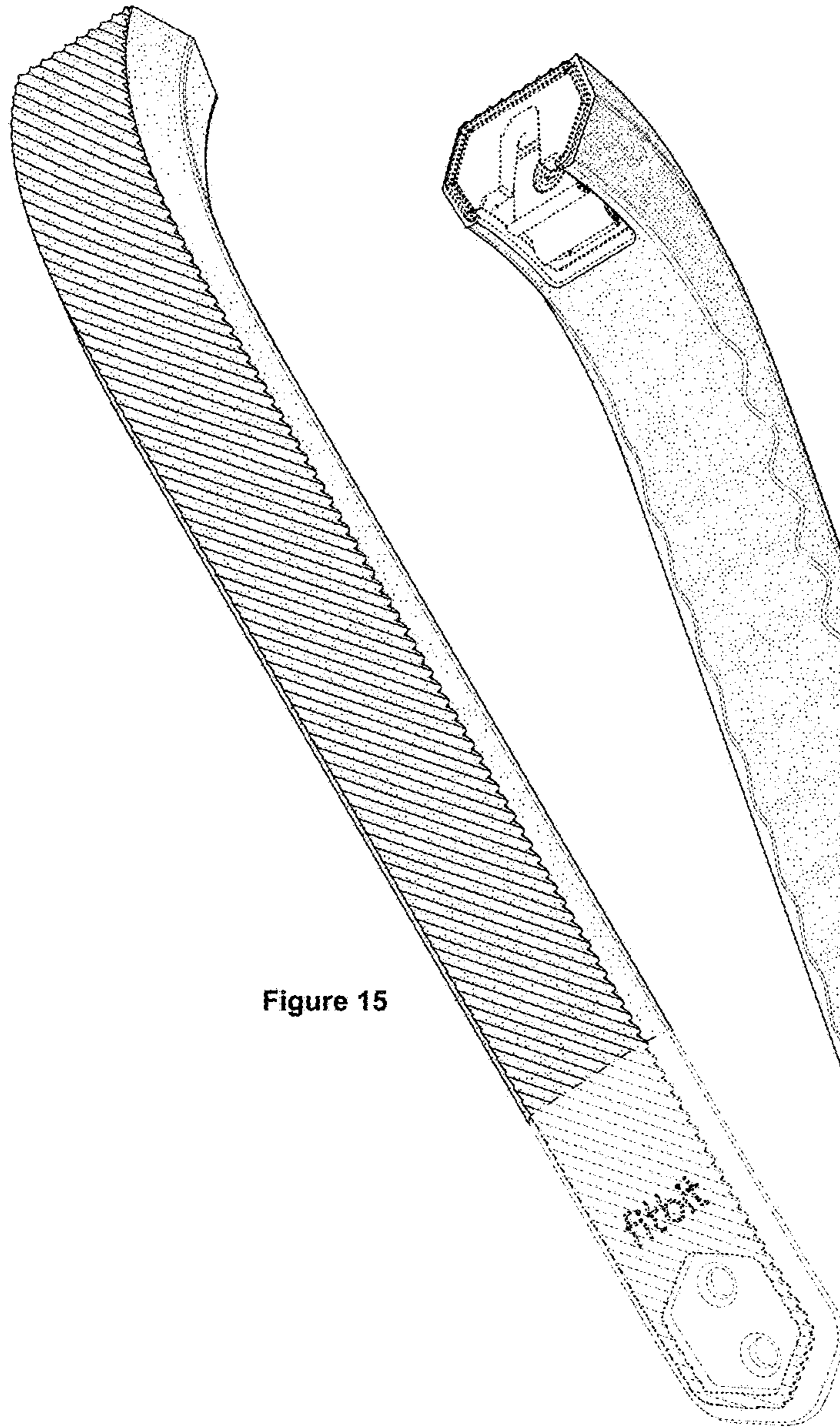


Figure 15

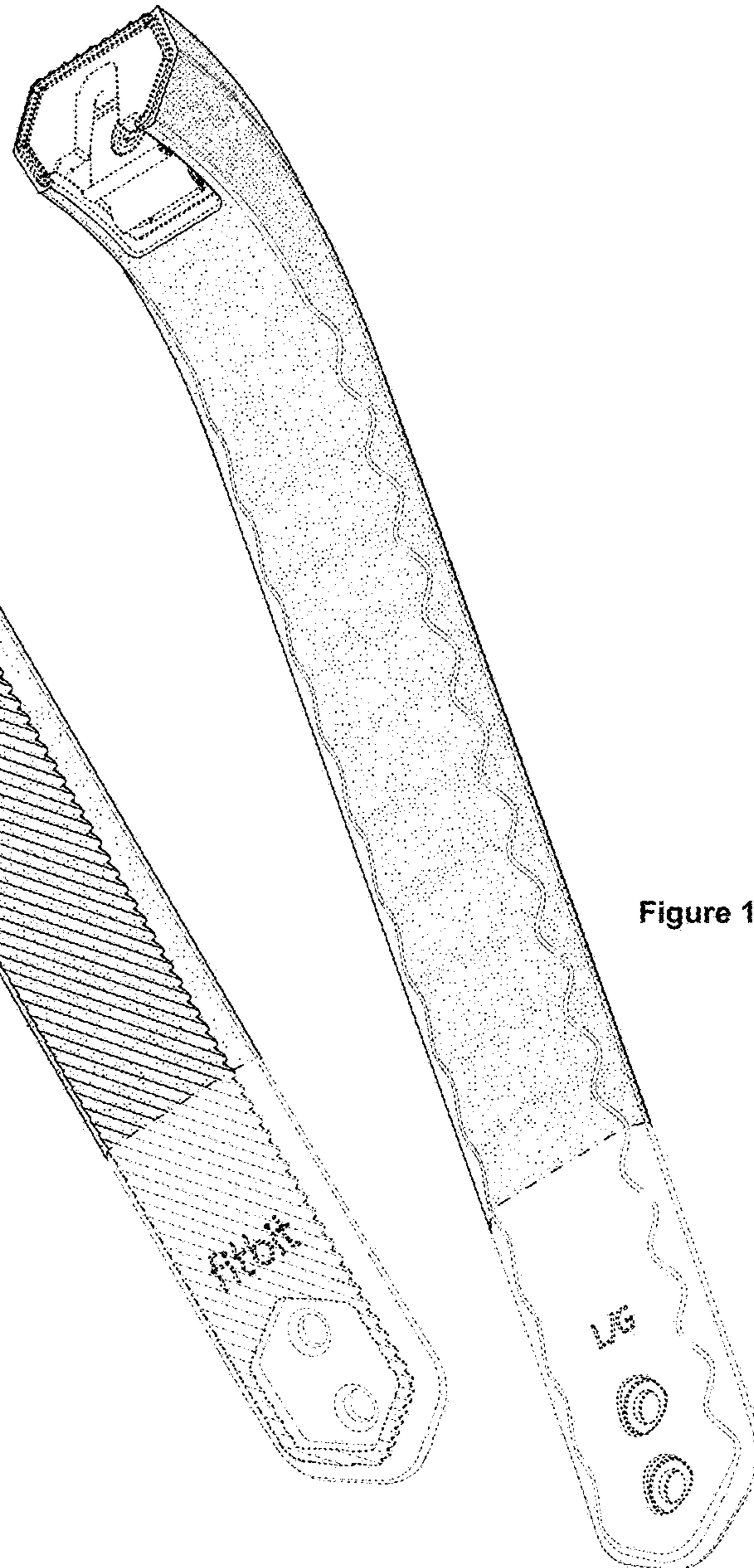


Figure 16