



US00D807215S

(12) **United States Design Patent**
Martin et al.

(10) **Patent No.:** **US D807,215 S**
(45) **Date of Patent:** **** Jan. 9, 2018**

- (54) **MOTION SENSOR BELT CLIP**
- (71) Applicant: **BLAST MOTION INC.**, Burlingame, CA (US)
- (72) Inventors: **Joshua Martin**, Encinitas, CA (US);
Hyoung Sang Park, Santee, CA (US);
Bhaskar Bose, Carlsbad, CA (US);
Michael Bentley, Carlsbad, CA (US);
Ryan Kaps, Mesa, AZ (US)
- (73) Assignee: **BLAST MOTION INC.**, Carlsbad, CA (US)
- (**) Term: **15 Years**
- (21) Appl. No.: **29/533,400**
- (22) Filed: **Jul. 16, 2015**
- (51) **LOC (11) Cl.** **10-05**
- (52) **U.S. Cl.**
USPC **D10/104.1**
- (58) **Field of Classification Search**
USPC D10/104.1, 104.2, 98, 70
See application file for complete search history.

- D695,207 S * 12/2013 Dams D10/98
- D728,393 S * 5/2015 Au Yeung D10/70
- D758,901 S * 6/2016 Benoit D10/70

* cited by examiner

Primary Examiner — George D. Kirschbaum
(74) *Attorney, Agent, or Firm* — Arc IP Law, PC; Joseph J. Mayo

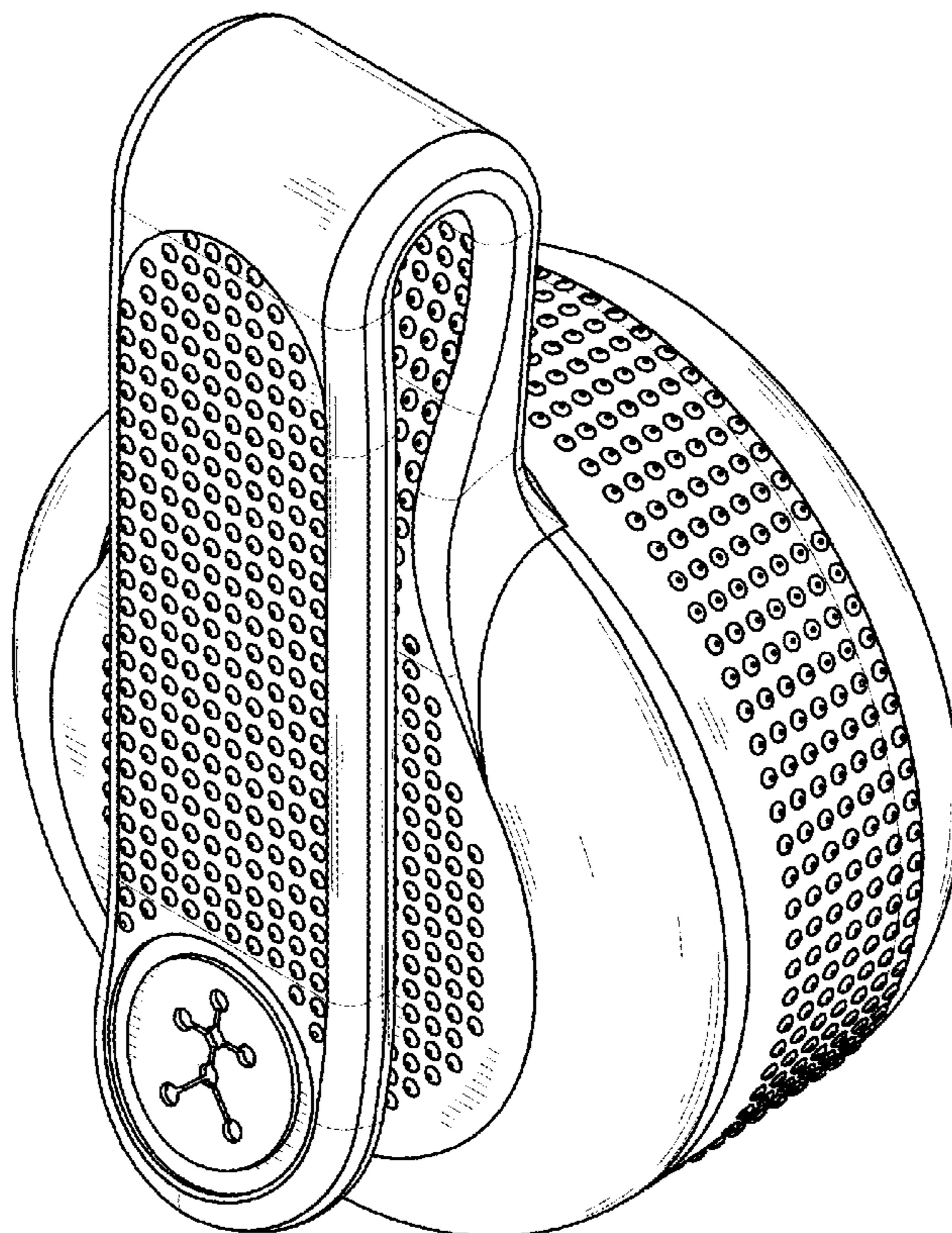
(57) **CLAIM**
The ornamental design for a motion sensor belt clip, as shown and described.

DESCRIPTION

FIG. 1 is rear upper perspective view of a motion sensor belt clip.
 FIG. 2 front bottom perspective view of the motion sensor belt clip of FIG. 1.
 FIG. 3 is a rear view of the motion sensor belt clip of FIG. 1.
 FIG. 4 is a front view of the motion sensor belt clip of FIG. 1.
 FIG. 5 is a left side view of the motion sensor belt clip of FIG. 1, of which the right side view is a minor image.
 FIG. 6 is a top view of the motion sensor belt clip of FIG. 1; and,
 FIG. 7 is a bottom view of the motion sensor belt clip of FIG. 1.
 The broken line showing is for environmental purposes only and forms no part of the claimed design.

1 Claim, 7 Drawing Sheets

- (56) **References Cited**
U.S. PATENT DOCUMENTS
D529,404 S * 10/2006 Eden D10/70
D537,004 S * 2/2007 Eden D10/70



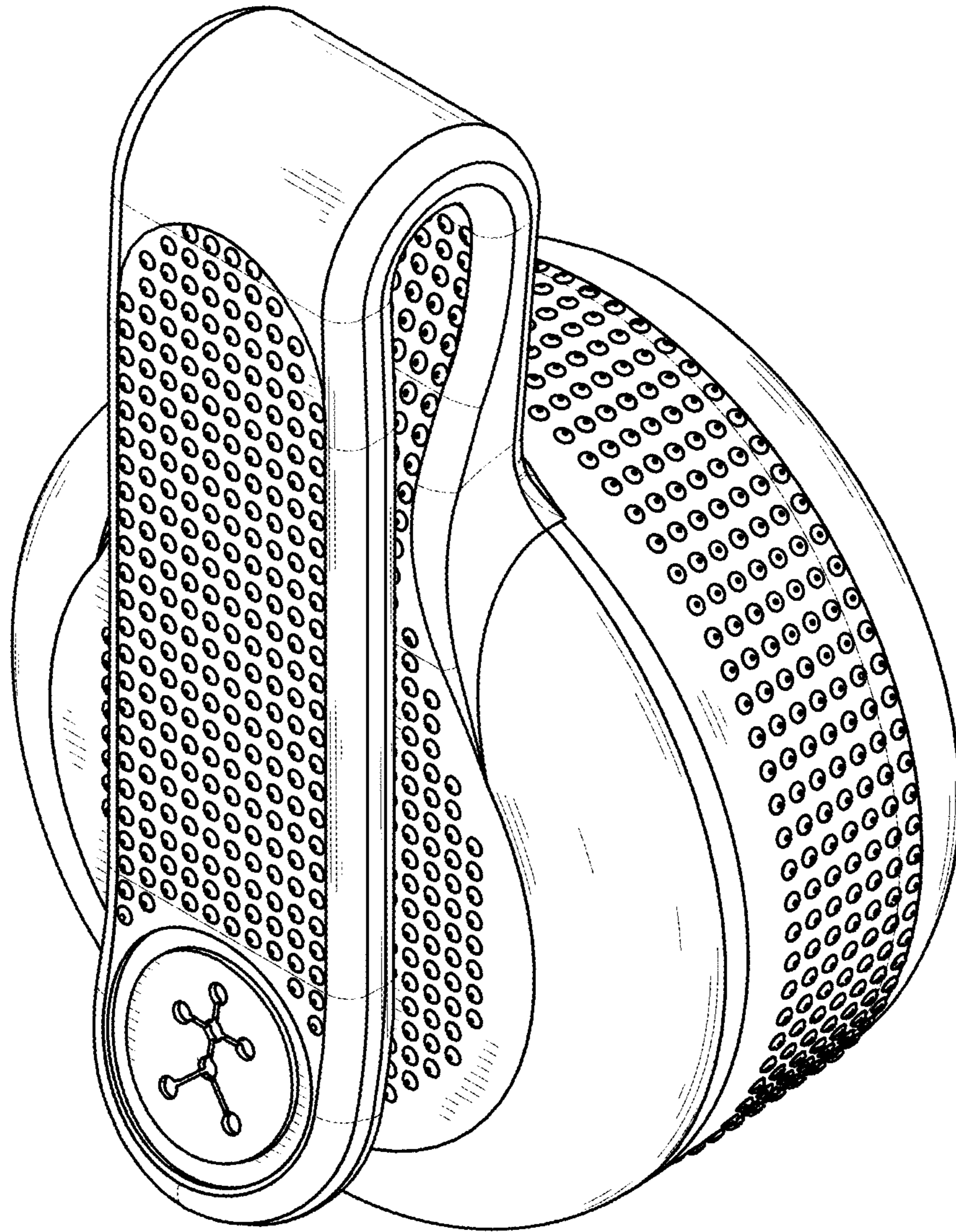


FIG. 1

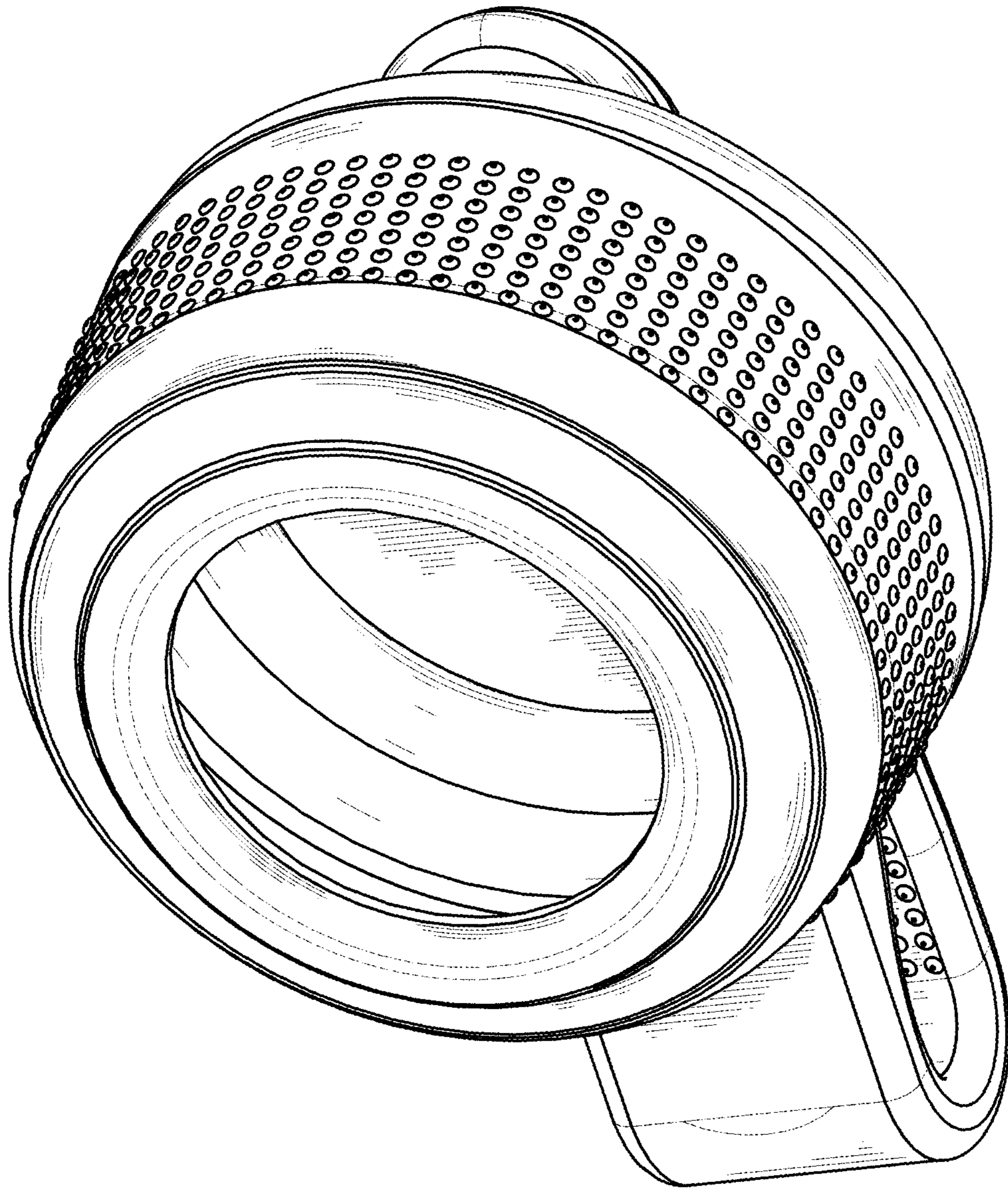


FIG. 2

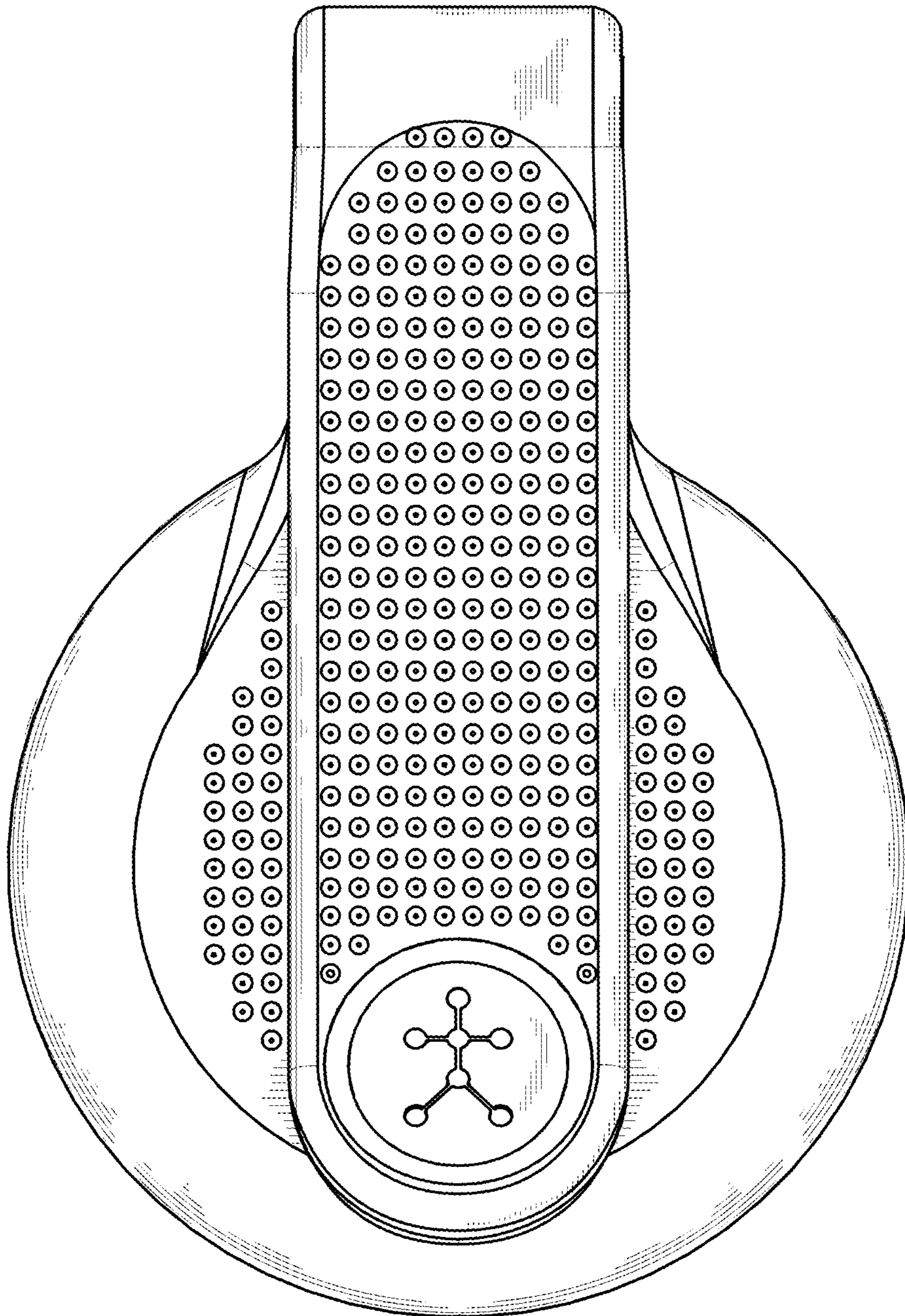


FIG. 3

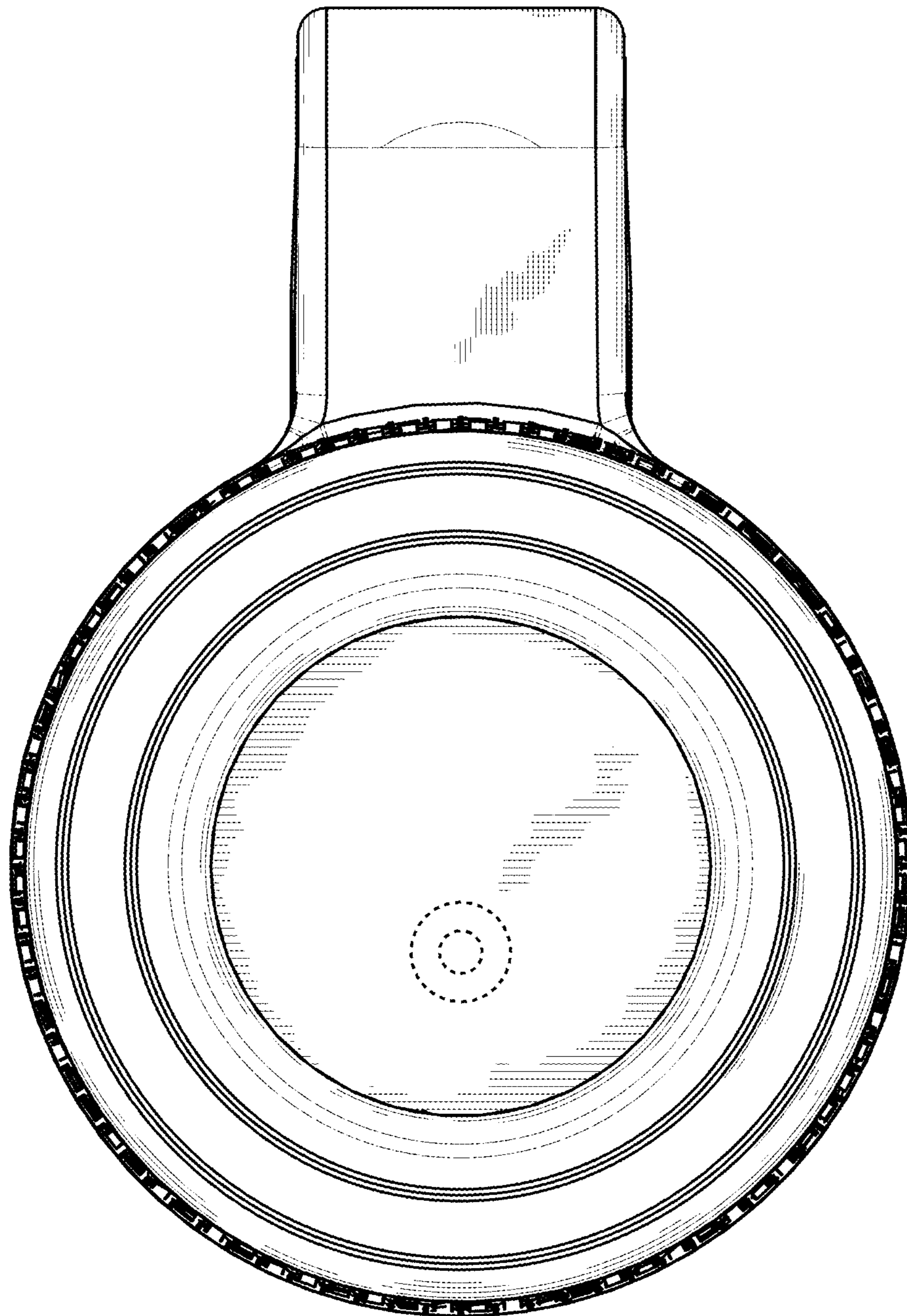


FIG. 4

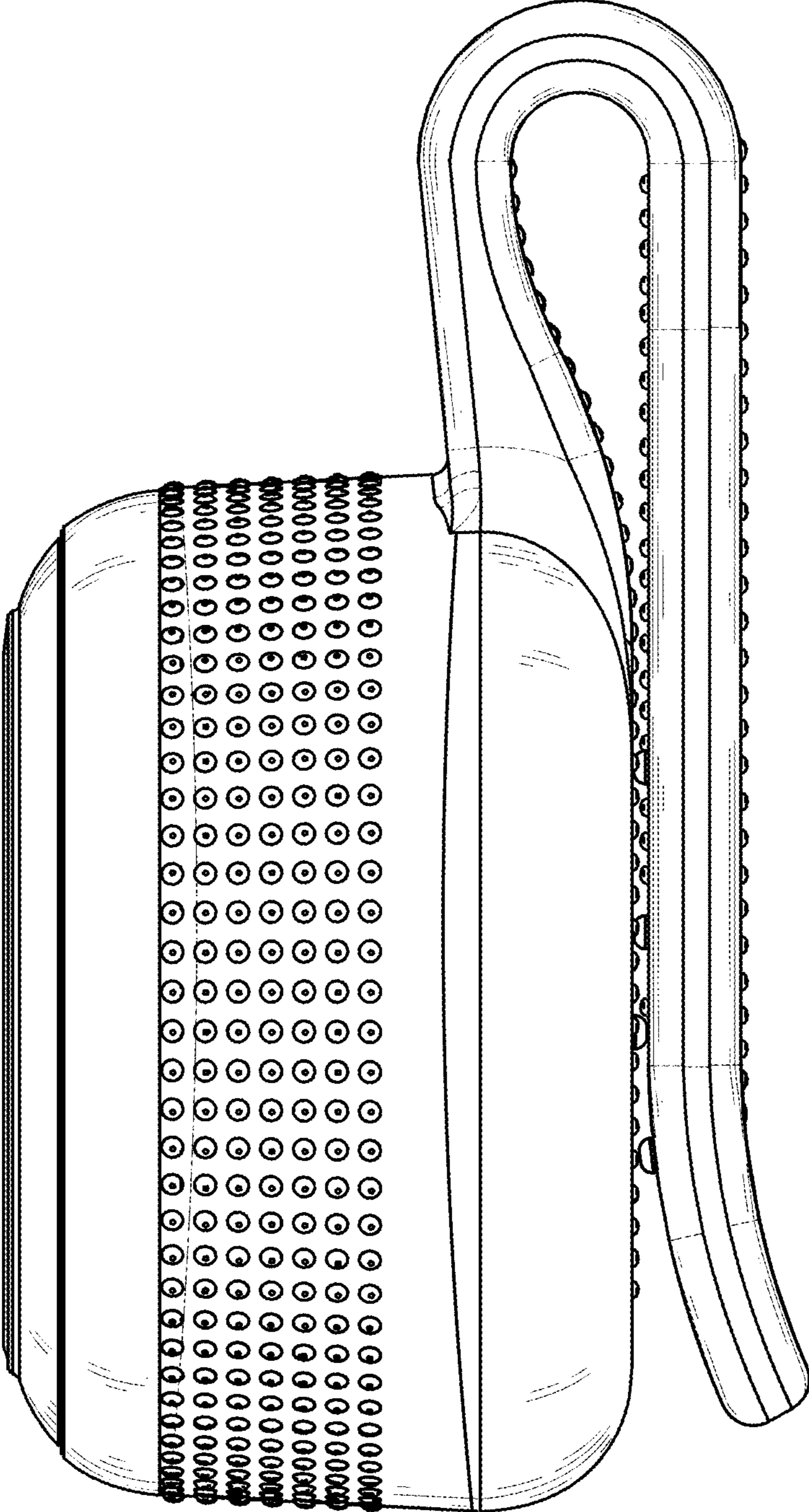


FIG. 5

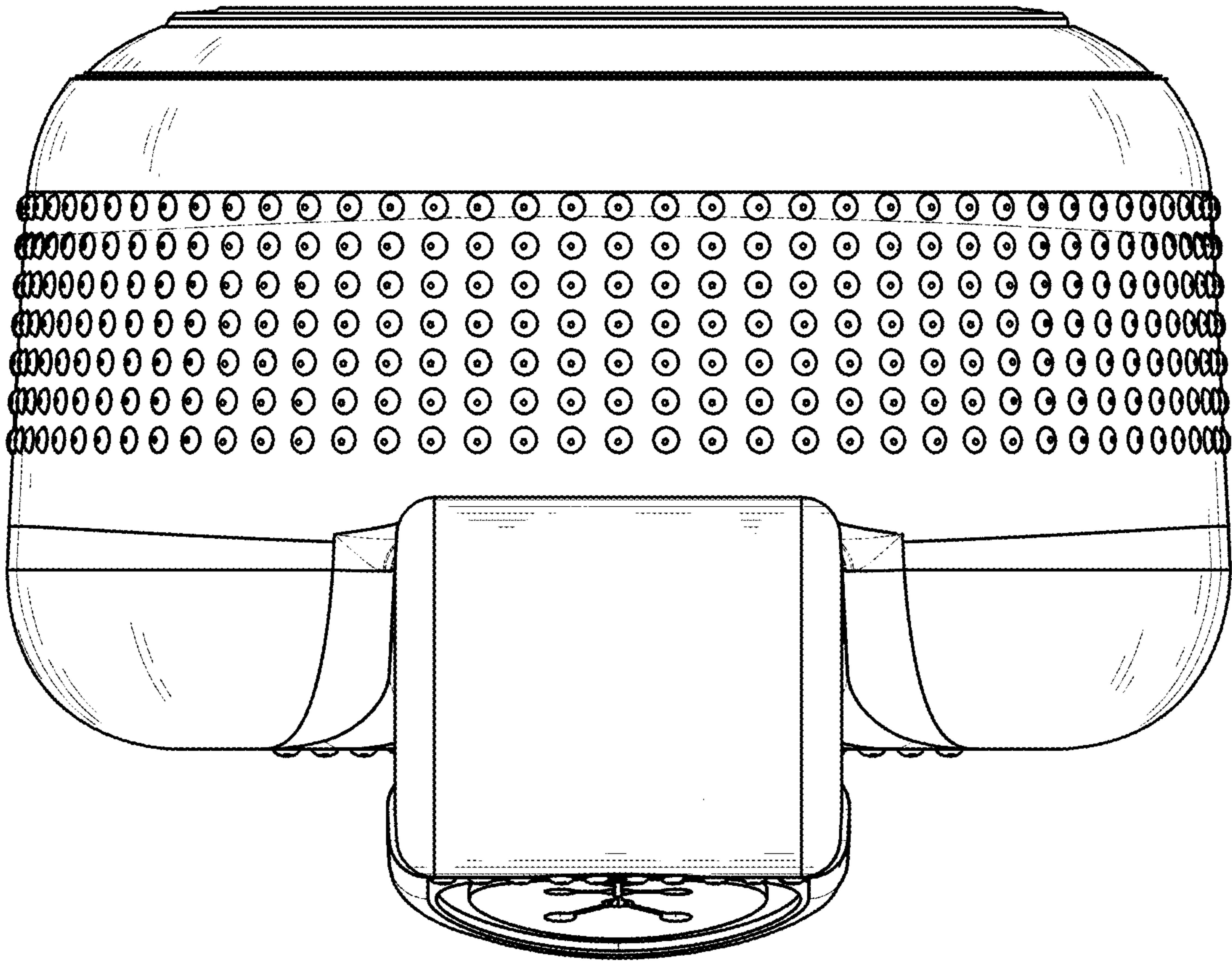


FIG. 6

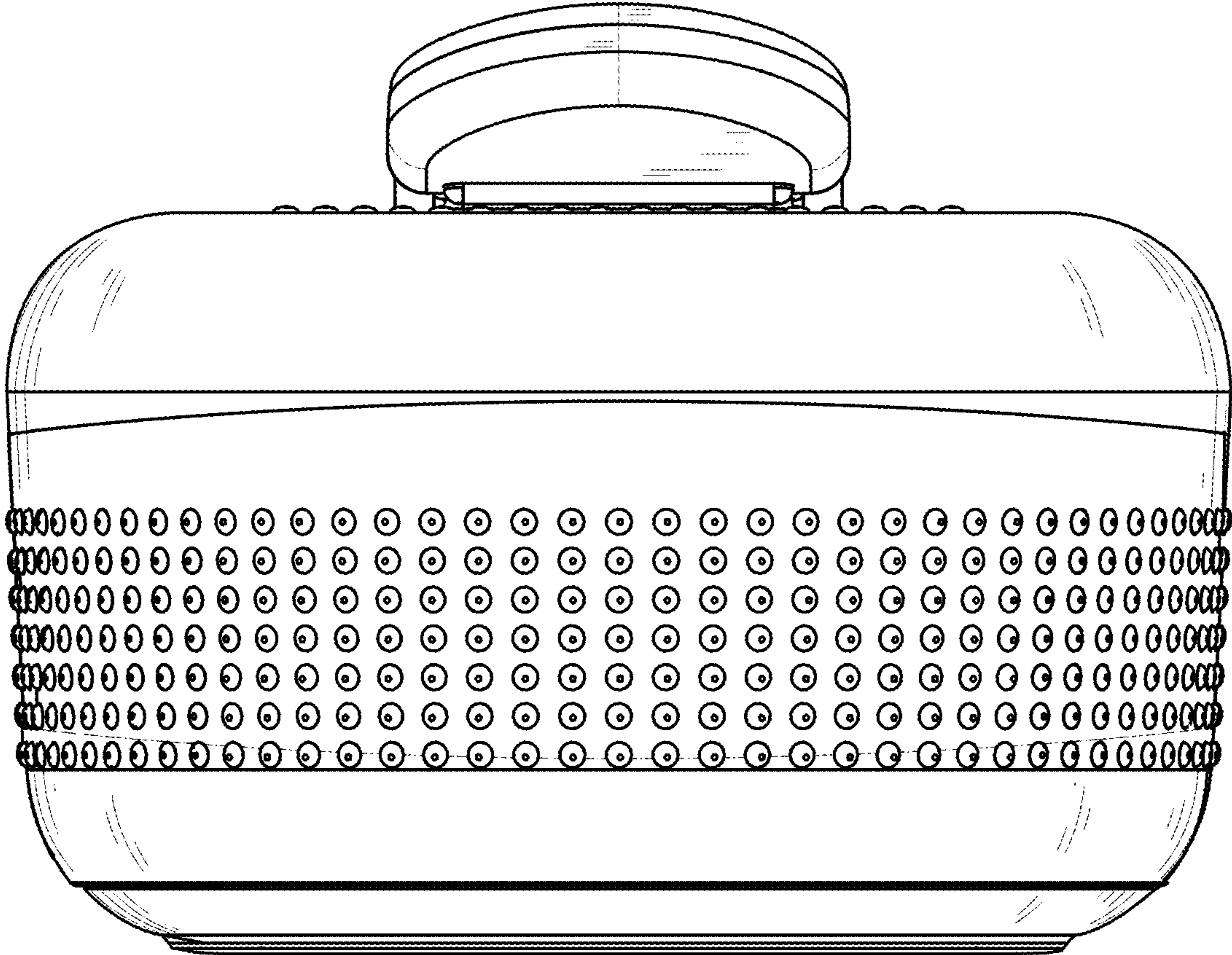


FIG. 7