

US00D807213S

(12) **United States Design Patent** (10) **Patent No.:** **US D807,213 S**
Williams et al. (45) **Date of Patent:** **** Jan. 9, 2018**

(54) **PORTABLE TESTING UNIT**

(56) **References Cited**

(71) Applicant: **FUNDAMENTAL SOLUTIONS CORPORATION**, Easton, PA (US)
(72) Inventors: **Marvin R. Williams**, Easton, PA (US);
Charles McBairty, Easton, PA (US);
Daniel W. Pfautz, Hatfield, PA (US);
Andrew Weiman, Langhorne, PA (US);
Edward Mitchell, Philadelphia, PA (US)
(73) Assignee: **Fundamental Solutions Corporation**, Easton, PA (US)
(**) Term: **15 Years**
(21) Appl. No.: **29/597,323**
(22) Filed: **Mar. 16, 2017**

U.S. PATENT DOCUMENTS

D333,992	S	*	3/1993	Anderson	D10/81
D608,670	S	*	1/2010	Samborn	D10/81
D610,026	S	*	2/2010	Buber	D10/52
D759,253	S	*	6/2016	Bar-Or	D24/186
9,551,649	B2	*	1/2017	Houghton	G01N 33/227
9,645,091	B2	*	5/2017	Slowey	G01N 21/8483
2006/0108218	A1	*	5/2006	Gephart	A61L 35/145 204/400

* cited by examiner

Primary Examiner — Antoine Duval Davis

(74) *Attorney, Agent, or Firm* — Frost Brown Todd LLC

(57) **CLAIM**

The ornamental design for a portable testing unit, as shown and described.

DESCRIPTION

FIG. 1 is a top perspective front view of a portable testing unit showing the design with a lid, which is hinged, in a closed position;

FIG. 2 is a right side view of the portable testing unit of FIG. 1, with the hinged lid in the closed position;

FIG. 3 is a top view of the portable testing unit of FIG. 1, with the hinged lid in the closed position;

FIG. 4 is a front view of the portable testing unit of FIG. 1, with the hinged lid in the closed position;

FIG. 5 is a rear view of the portable testing unit of FIG. 1, with the hinged lid in the closed position; and,

FIG. 6 is a top perspective front view of the portable testing unit of FIG. 1, with the hinged lid in an open position.

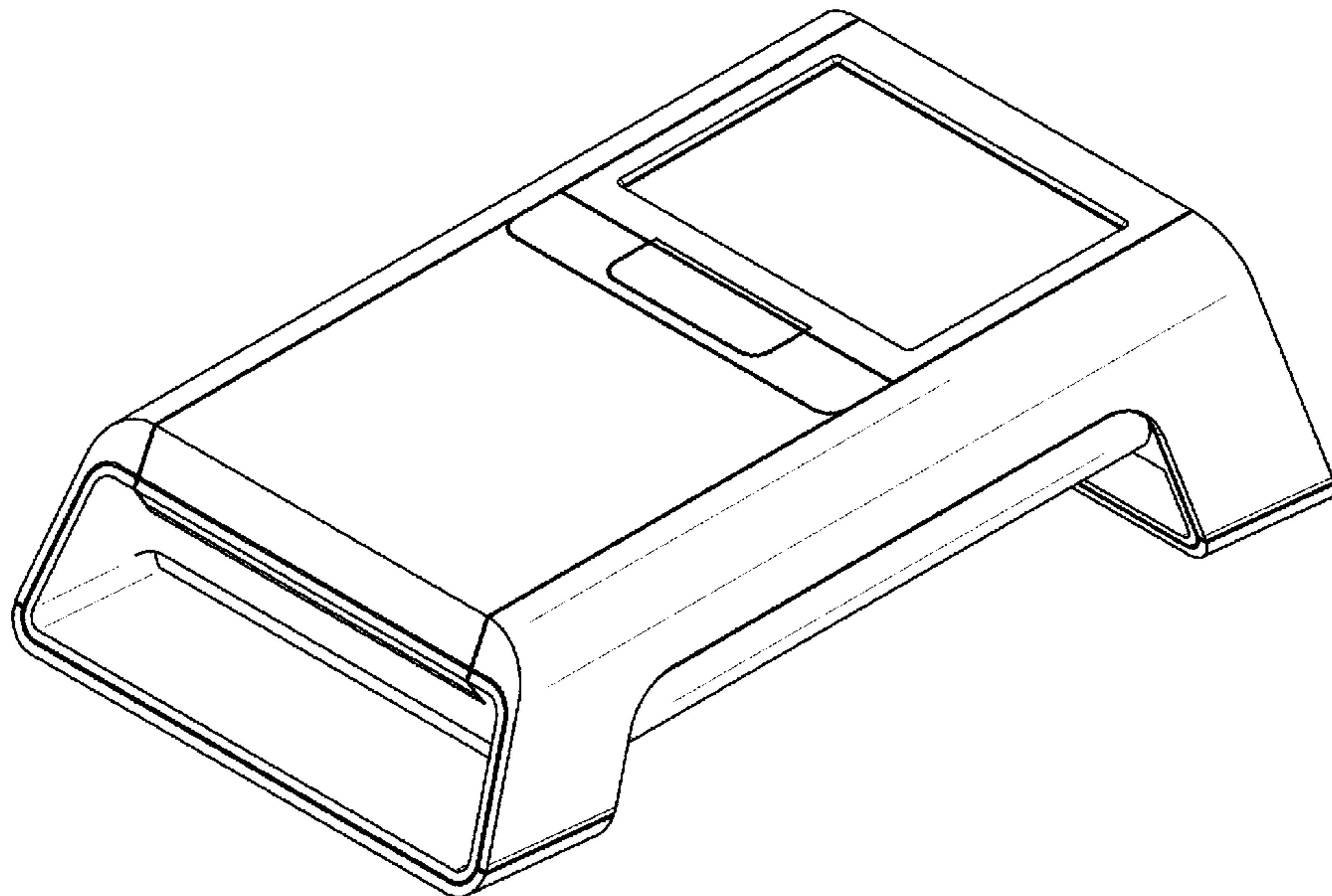
The left side view is a mirror image of the right side view. The broken lines in the drawings illustrate features of the portable testing unit that form no part of the claim.

Related U.S. Application Data

(63) Continuation of application No. 14/669,970, filed on Mar. 26, 2015, now Pat. No. 9,701,994, and a continuation of application No. 13/711,296, filed on Dec. 11, 2012, now Pat. No. 9,023,640.
(51) **LOC (11) Cl.** **10-04**
(52) **U.S. Cl.**
USPC **D10/81**; D24/186; D24/216
(58) **Field of Classification Search**
USPC D10/78, 81; D24/186, 216, 232
CPC C12Q 1/10; G01N 21/75; G01N 21/763;
G01N 33/12; G01N 33/56916; G01N
2201/0221

See application file for complete search history.

1 Claim, 5 Drawing Sheets



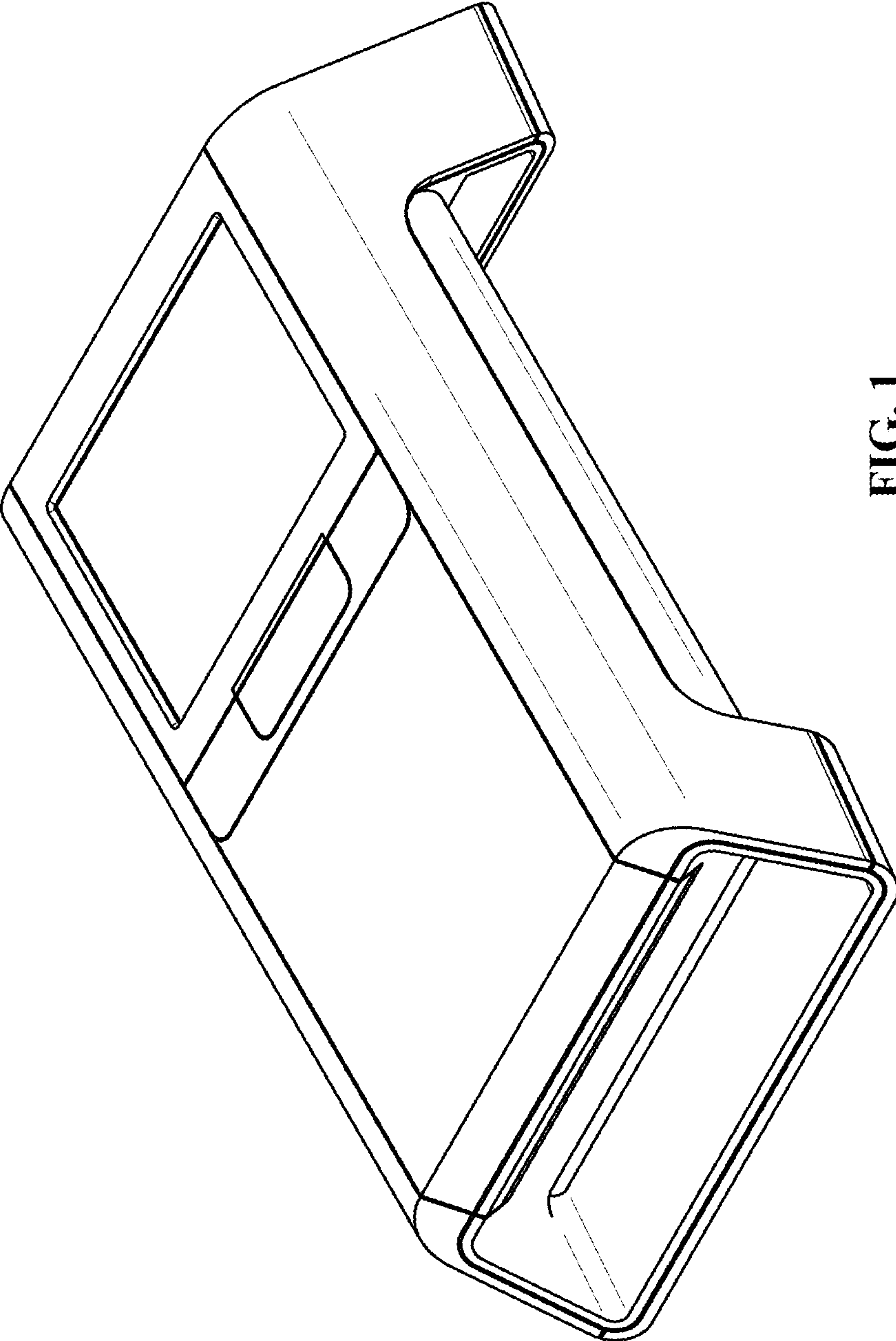


FIG. 1

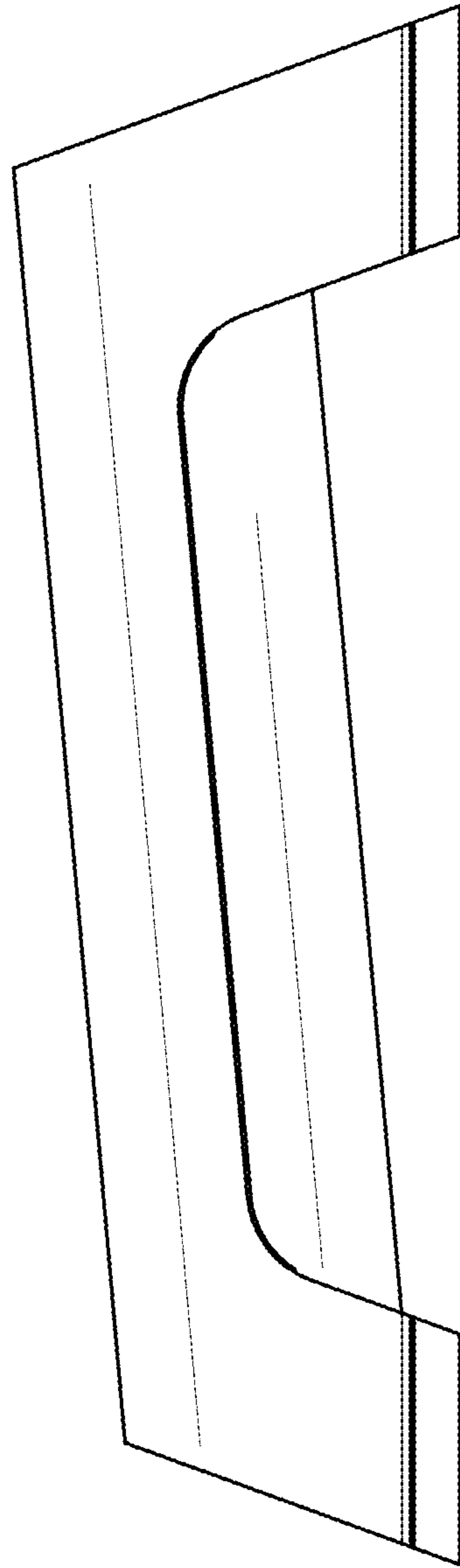


FIG. 2

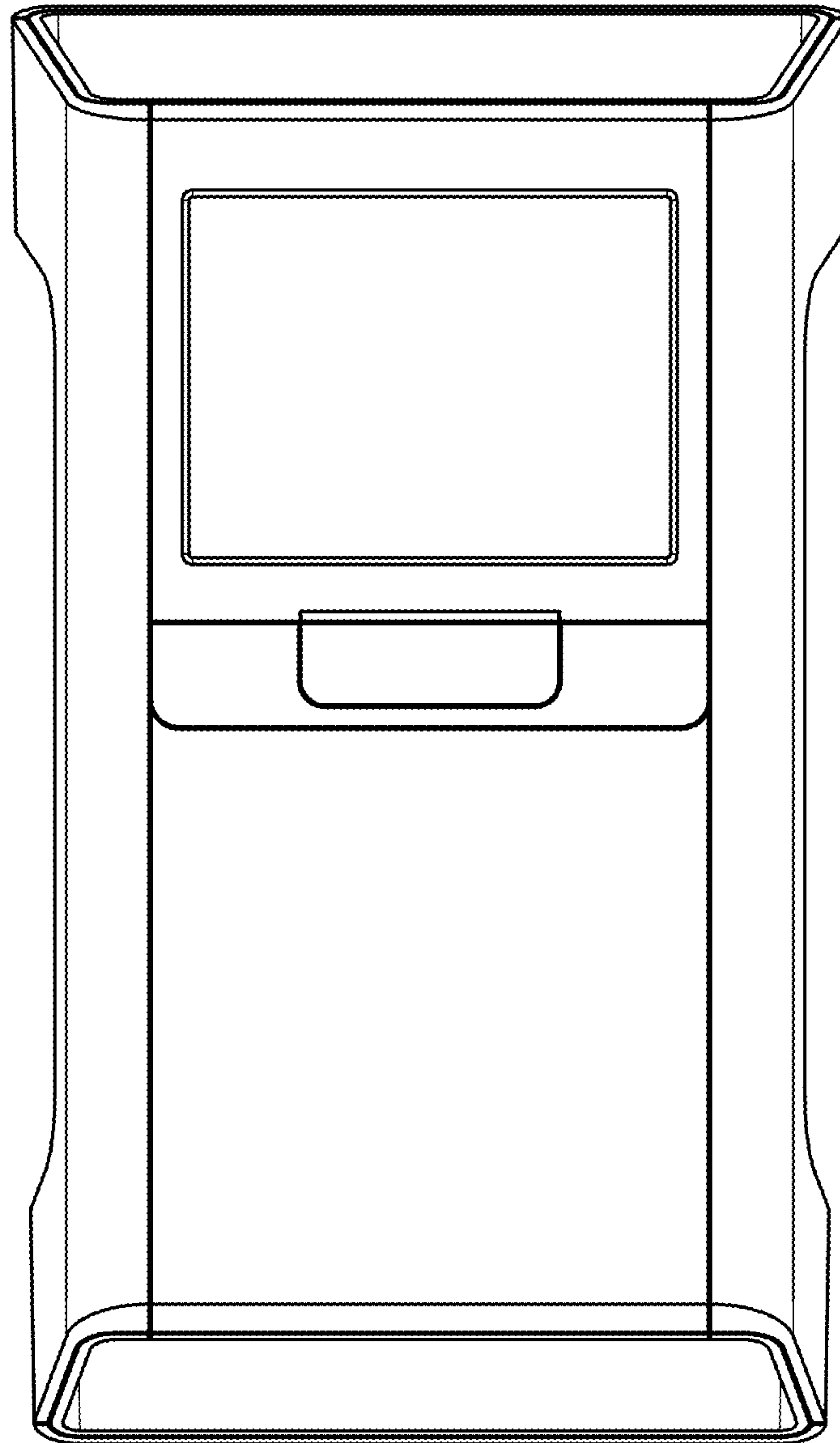


FIG. 3

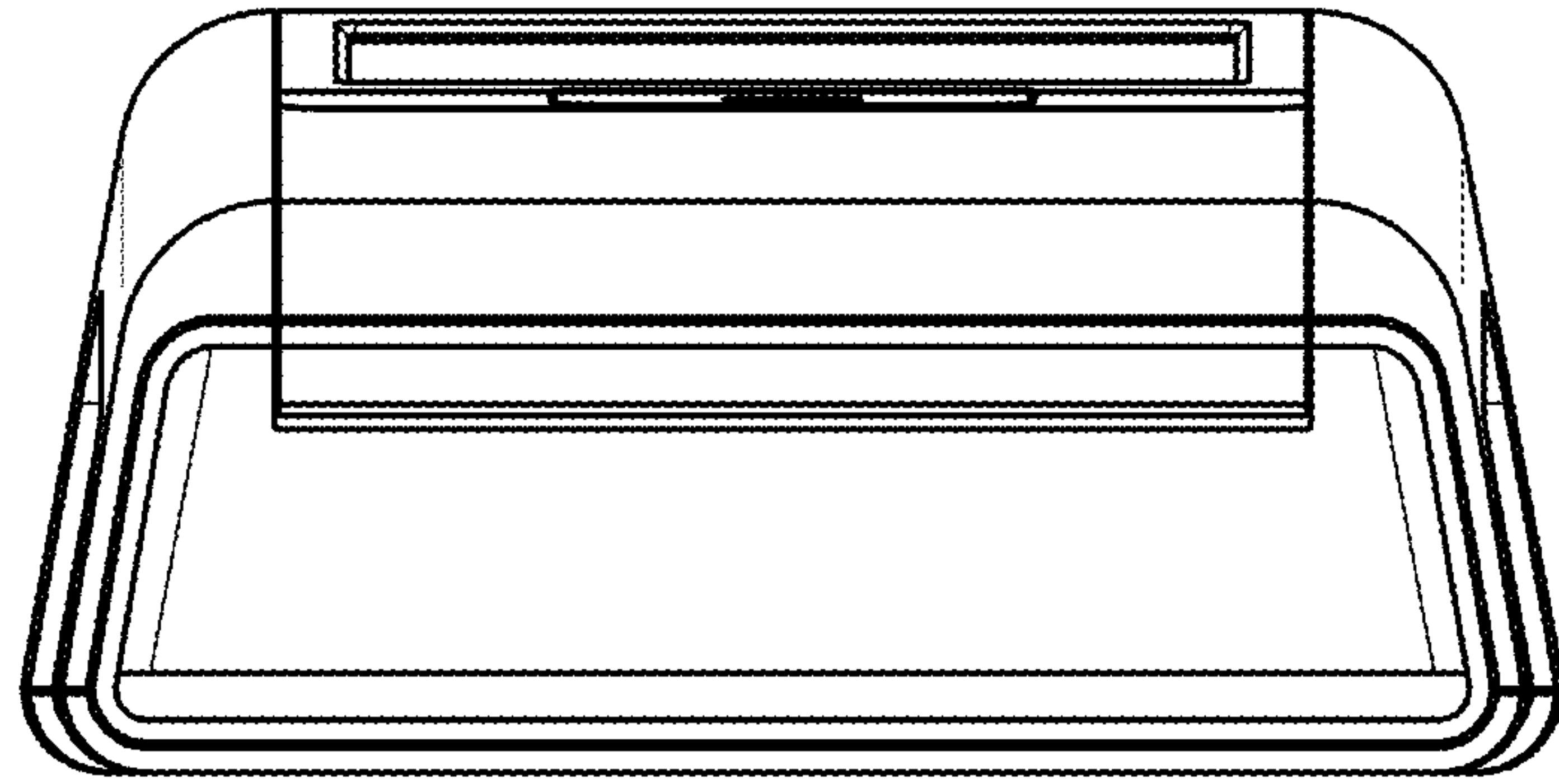


FIG. 4

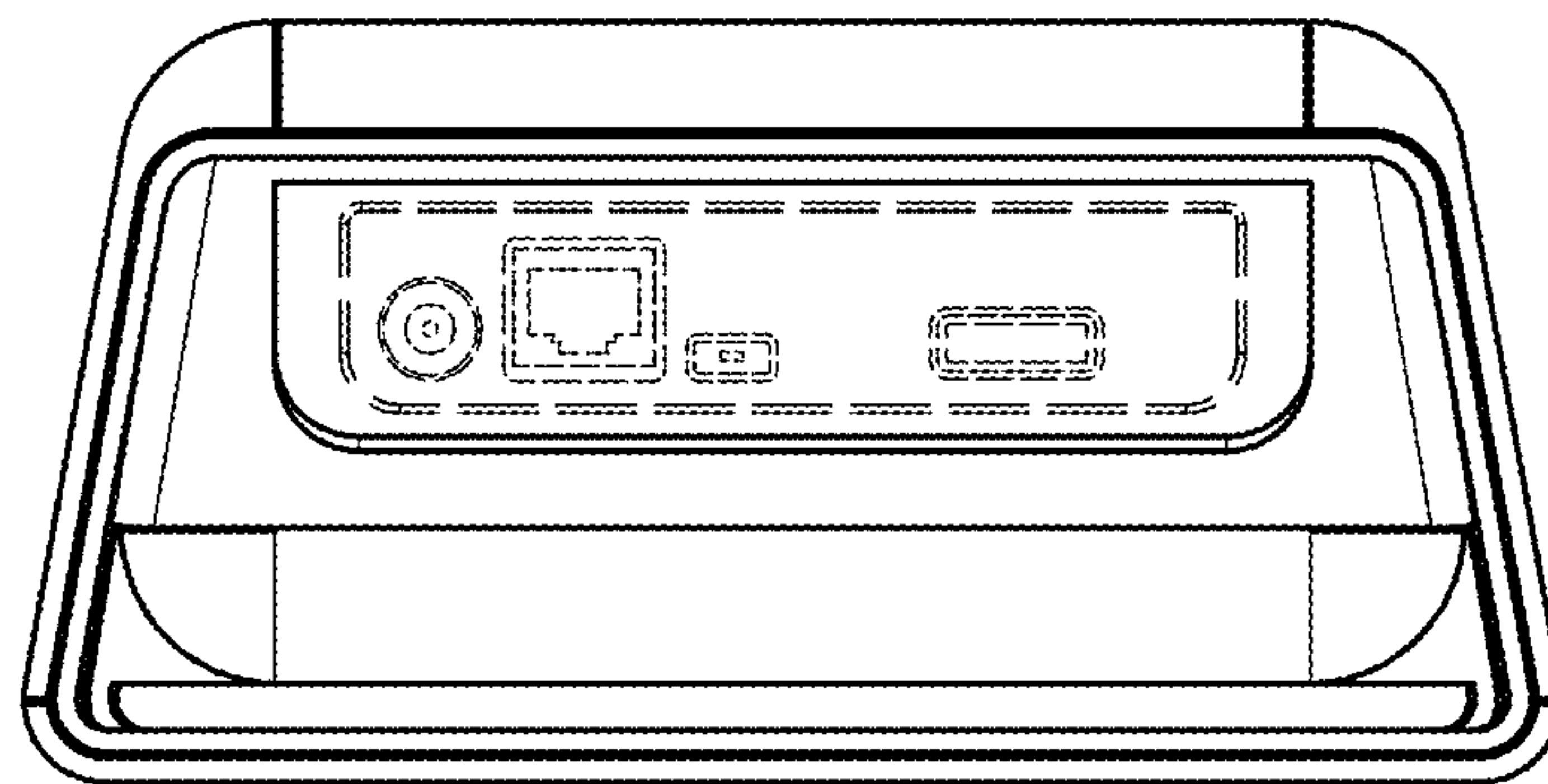


FIG. 5

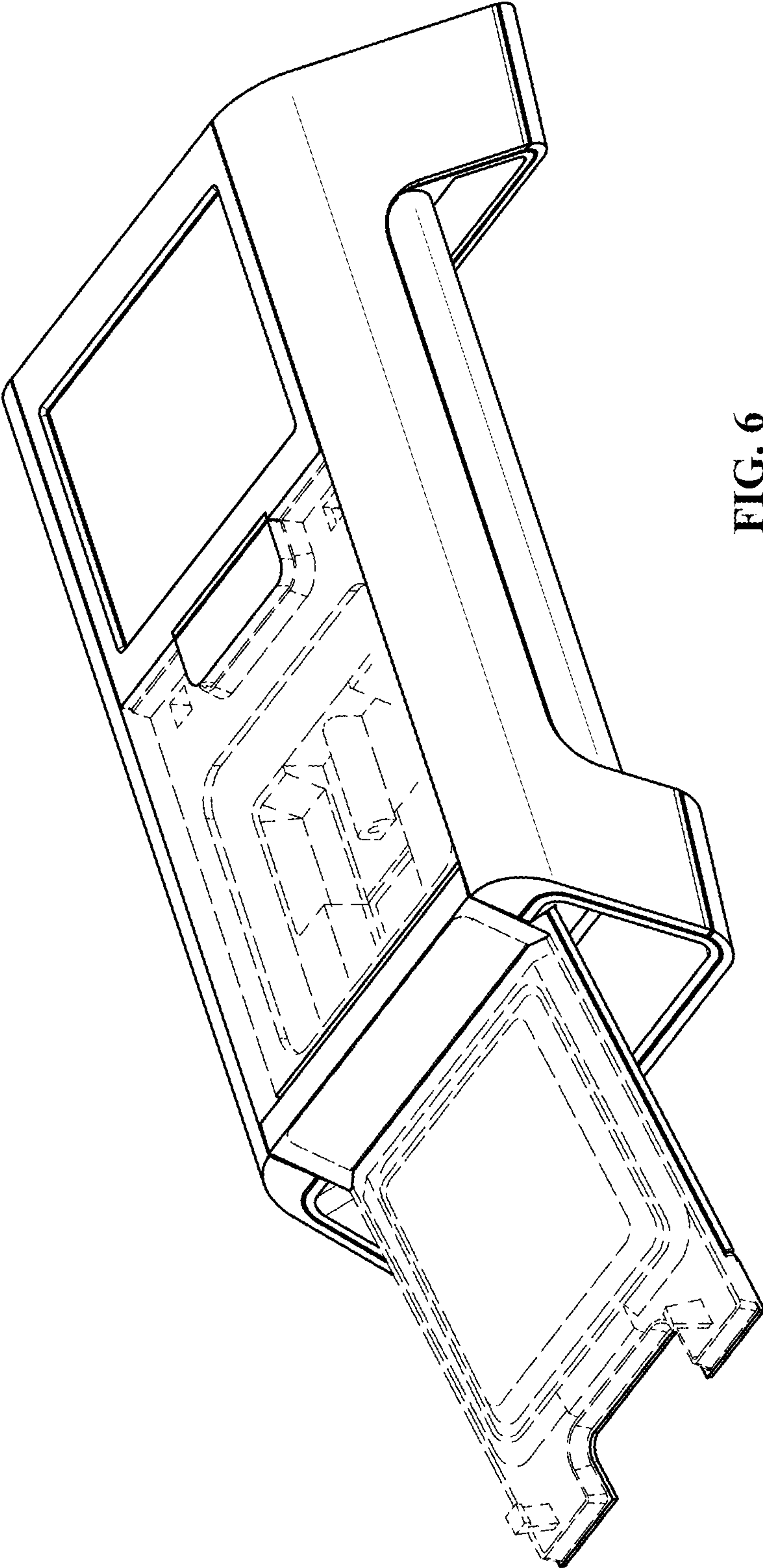


FIG. 6