

US00D807211S

(12) **United States Design Patent** (10) **Patent No.:** **US D807,211 S**
Nikayin et al. (45) **Date of Patent:** **** Jan. 9, 2018**

(54) **ADJUSTABLE HEIGHT GAUGE FOR
INSTALLING ELECTRICAL BOX**

(71) Applicants: **Saeed Nikayin**, Los Angeles, CA (US);
Kai Zhang, Los Angeles, CA (US);
Gilbert Loera, Los Angeles, CA (US)

(72) Inventors: **Saeed Nikayin**, Los Angeles, CA (US);
Kai Zhang, Los Angeles, CA (US);
Gilbert Loera, Los Angeles, CA (US)

(**) Term: **15 Years**

(21) Appl. No.: **29/582,301**

(22) Filed: **Oct. 26, 2016**

(51) **LOC (11) Cl.** **10-04**

(52) **U.S. Cl.**
USPC **D10/70**

(58) **Field of Classification Search**
USPC D10/65, 70, 102
CPC G01D 21/00; H02G 8/00; Y10S 33/10
See application file for complete search history.

(56) **References Cited**

U.S. PATENT DOCUMENTS

4,890,391 A	1/1990	Warren	
5,111,593 A	5/1992	Gehen, Sr.	
D326,618 S *	6/1992	Draper	D10/65
D335,462 S	5/1993	Shaw	
5,222,303 A	6/1993	Jardine	

5,966,828 A	10/1999	Hickey
6,233,838 B1	5/2001	Falwell et al.
6,803,521 B2	10/2004	Vrame
6,958,448 B2	10/2005	Nave
7,659,479 B2	2/2010	Murphy
2004/0049933 A1	3/2004	Hicks
2005/0056448 A1	3/2005	Nave
2006/0265893 A1	11/2006	Gifford

* cited by examiner

Primary Examiner — Antoine Duval Davis

(74) *Attorney, Agent, or Firm* — Kirk A. Buhler; Buhler & Associates

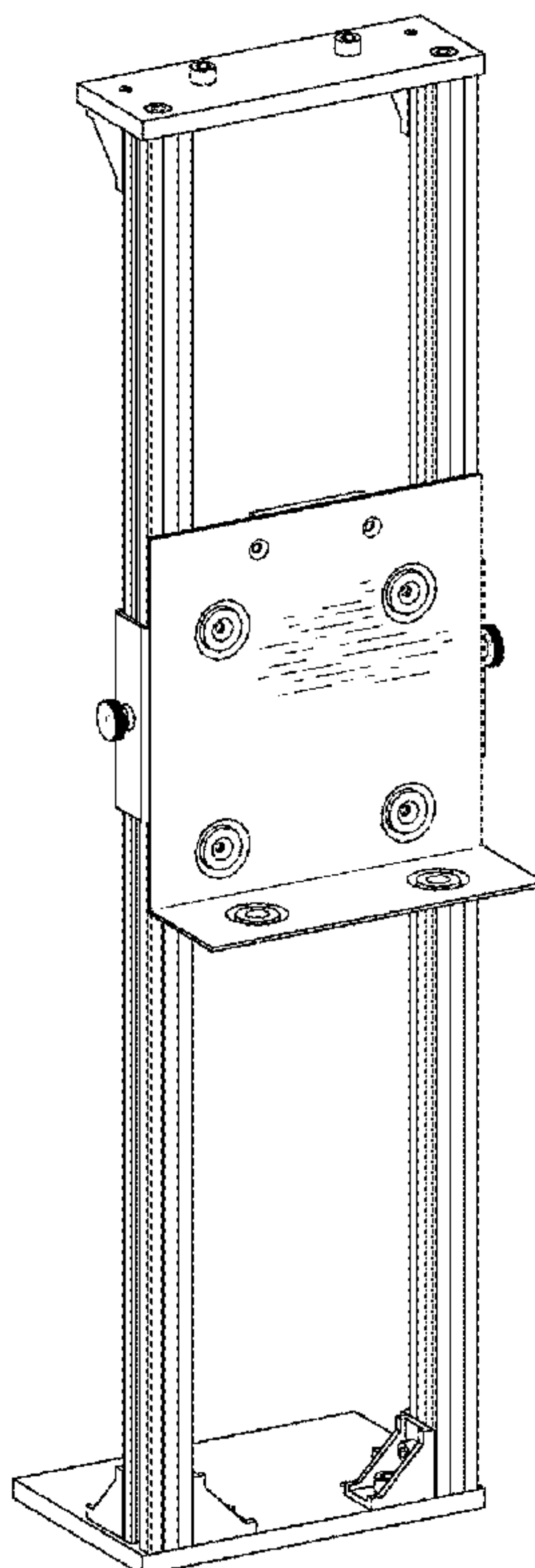
(57) **CLAIM**

The ornamental design for an adjustable height gauge for installing electrical box, as shown and described.

DESCRIPTION

FIG. 1 is a top perspective view for an adjustable height gauge for installing electrical box showing my new design; FIG. 2 is a back side view thereof; FIG. 3 is a front side view thereof; FIG. 4 is a left side view, the right side view being a mirror image thereof; FIG. 5 is a top side view, and, FIG. 6 is a bottom side view.

1 Claim, 3 Drawing Sheets



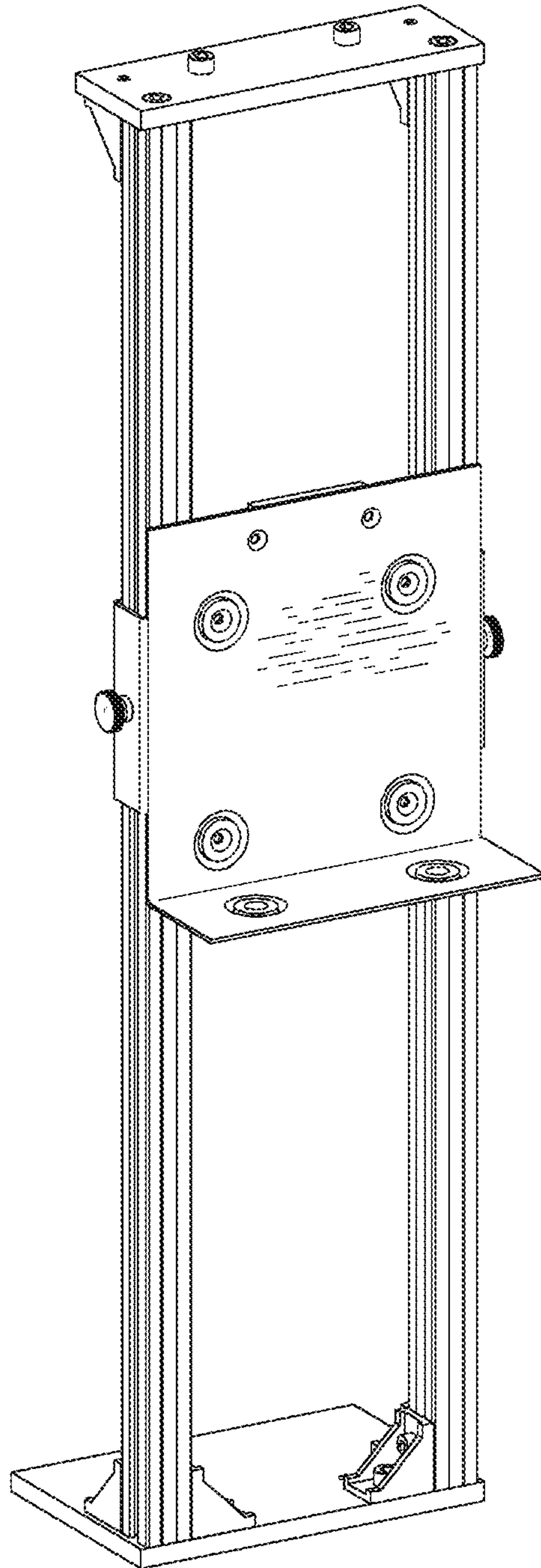


FIG. 1

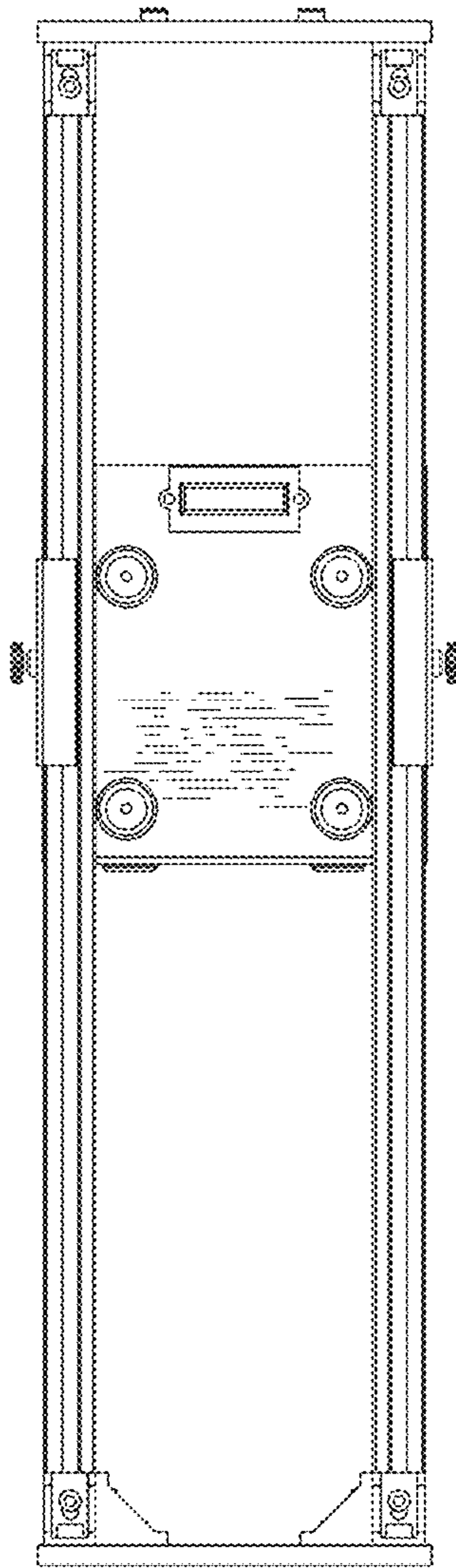


FIG. 2

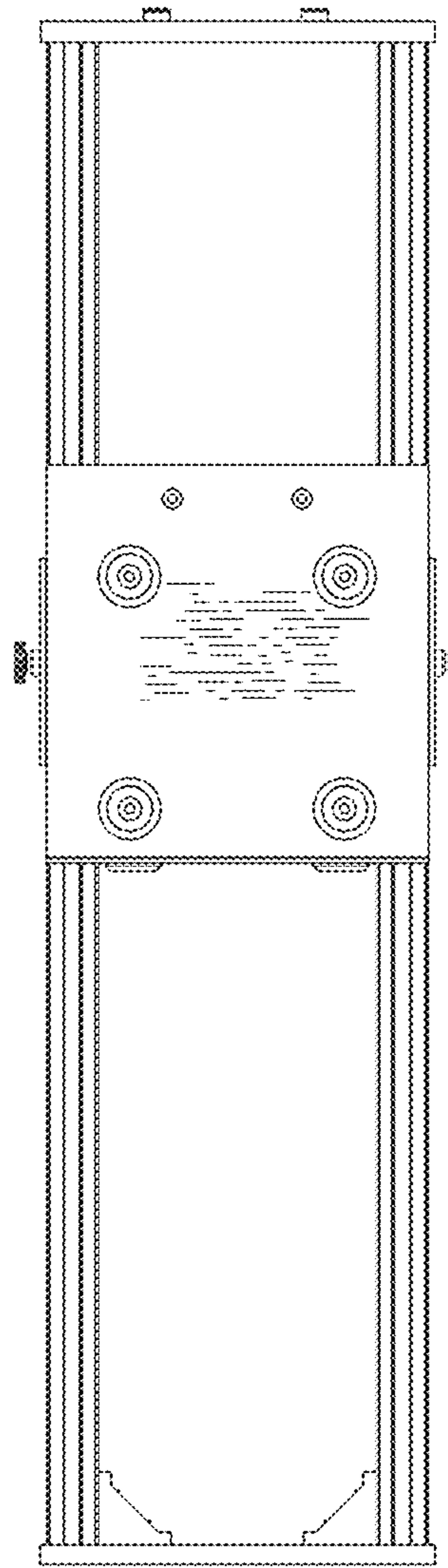


FIG. 3

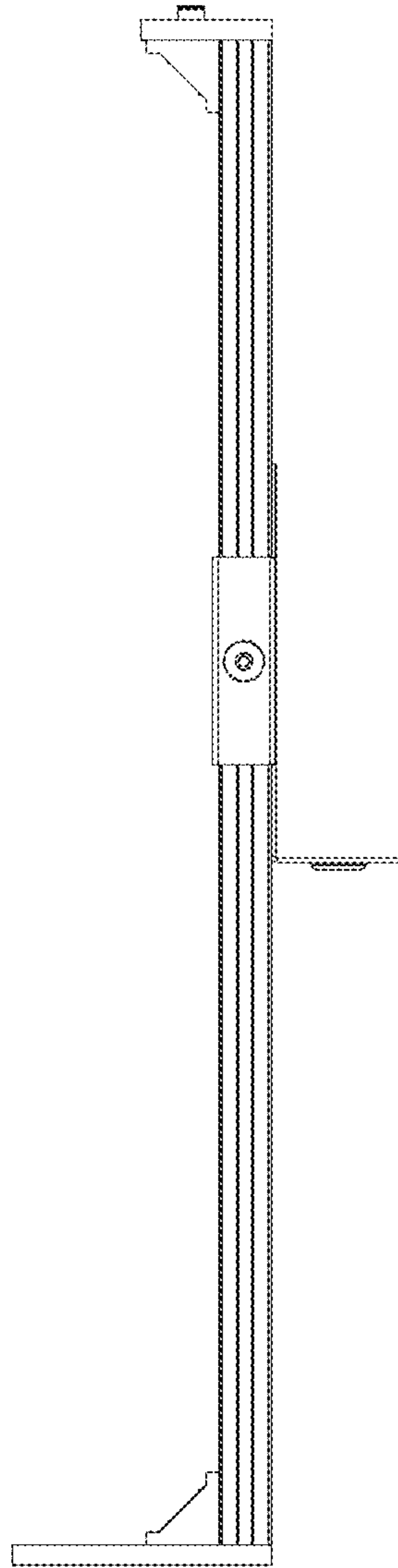


FIG. 4

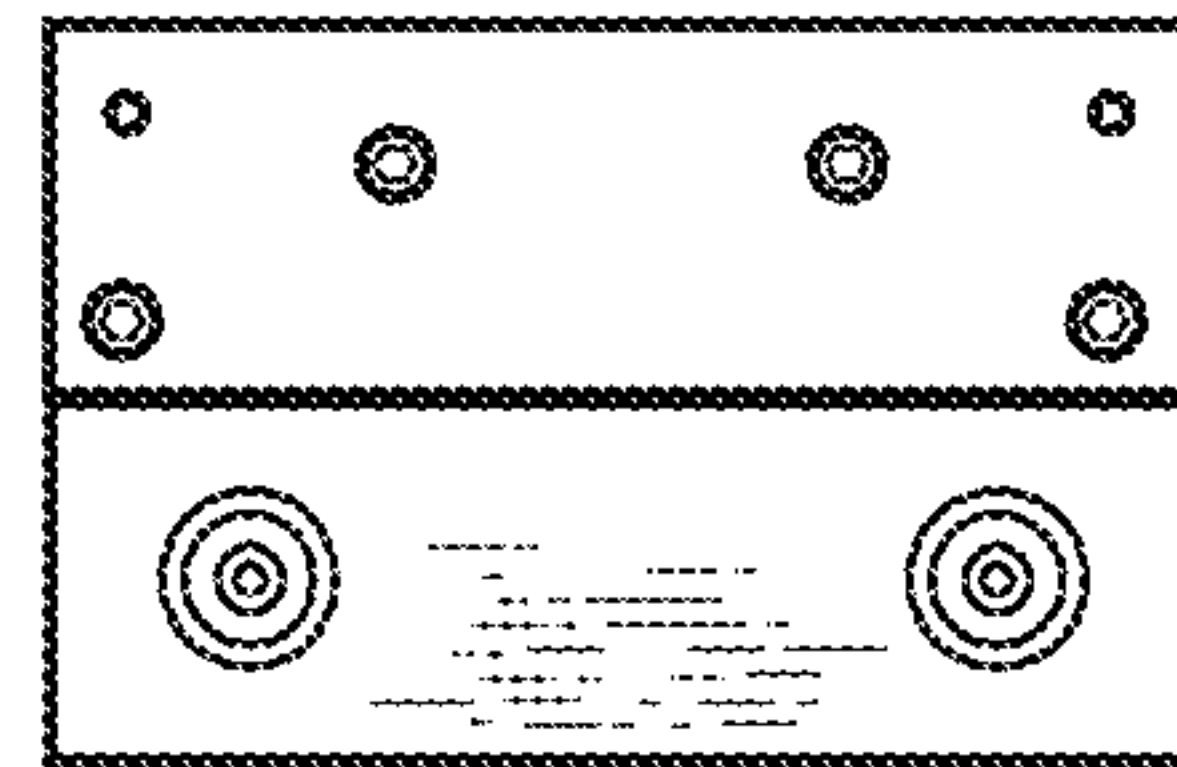


FIG. 5

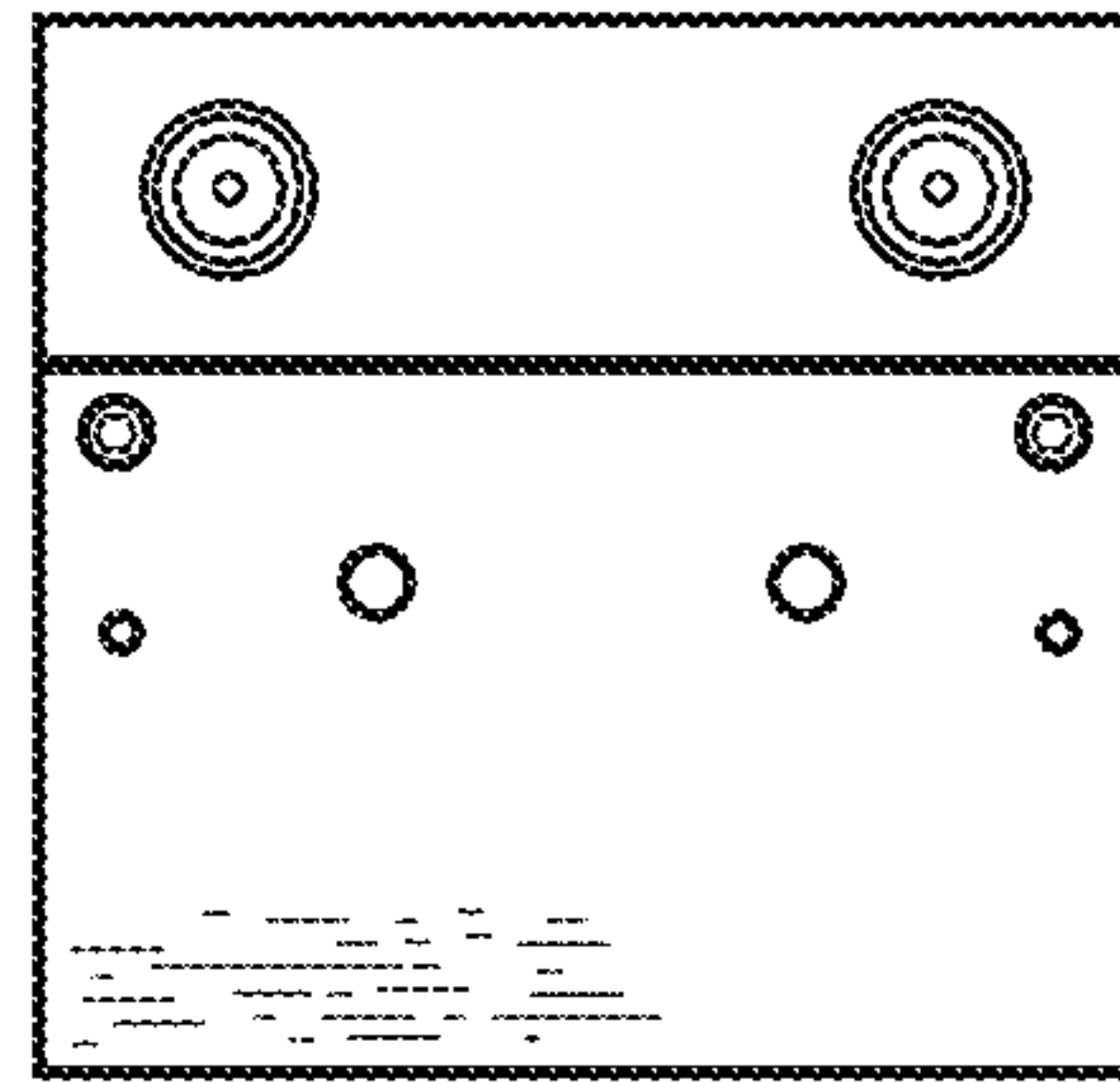


FIG. 6