



US00D807210S

(12) **United States Design Patent**  
**Moe et al.**

(10) **Patent No.:** **US D807,210 S**  
(45) **Date of Patent:** **\*\* Jan. 9, 2018**

(54) **DIGITAL LEVEL**

(71) Applicant: **Digipas Technologies, Inc.**, Irvine, CA (US)

(72) Inventors: **Kyaw Soe Moe**, Singapore (SG); **Bi Yong Kuu**, Singapore (SG); **Jim Hui Hong Li**, Irvine, CA (US)

(73) Assignee: **Digipass Technologies, Inc.**, Irvine, CA (US)

(\*\*) Term: **15 Years**

(21) Appl. No.: **29/584,039**

(22) Filed: **Nov. 10, 2016**

(51) **LOC (11) Cl.** ..... **10-04**

(52) **U.S. Cl.**  
USPC ..... **D10/69**

(58) **Field of Classification Search**  
USPC ..... D10/69  
CPC ... G01C 9/24; G01C 9/26; G01C 9/28; G01C 9/30; G01C 9/32; G01C 9/34; G01C 9/36  
See application file for complete search history.

(56) **References Cited**

**U.S. PATENT DOCUMENTS**

D692,328 S \* 10/2013 Yong ..... D10/69

\* cited by examiner

*Primary Examiner* — Antoine Duval Davis

(74) *Attorney, Agent, or Firm* — Gordon & Rees, LLP

(57) **CLAIM**

The ornamental design for digital level, as shown and described.

**DESCRIPTION**

FIG. 1 is a top view of the digital level according to the new design;

FIG. 2 is a front view of the digital level;

FIG. 3 is a back view of the digital level;

FIG. 4 is a right side view of the digital level;

FIG. 5 is a left side view of the digital level;

FIG. 6 is a bottom view of the digital level;

FIG. 7 is an elevated top and back perspective view of the digital level;

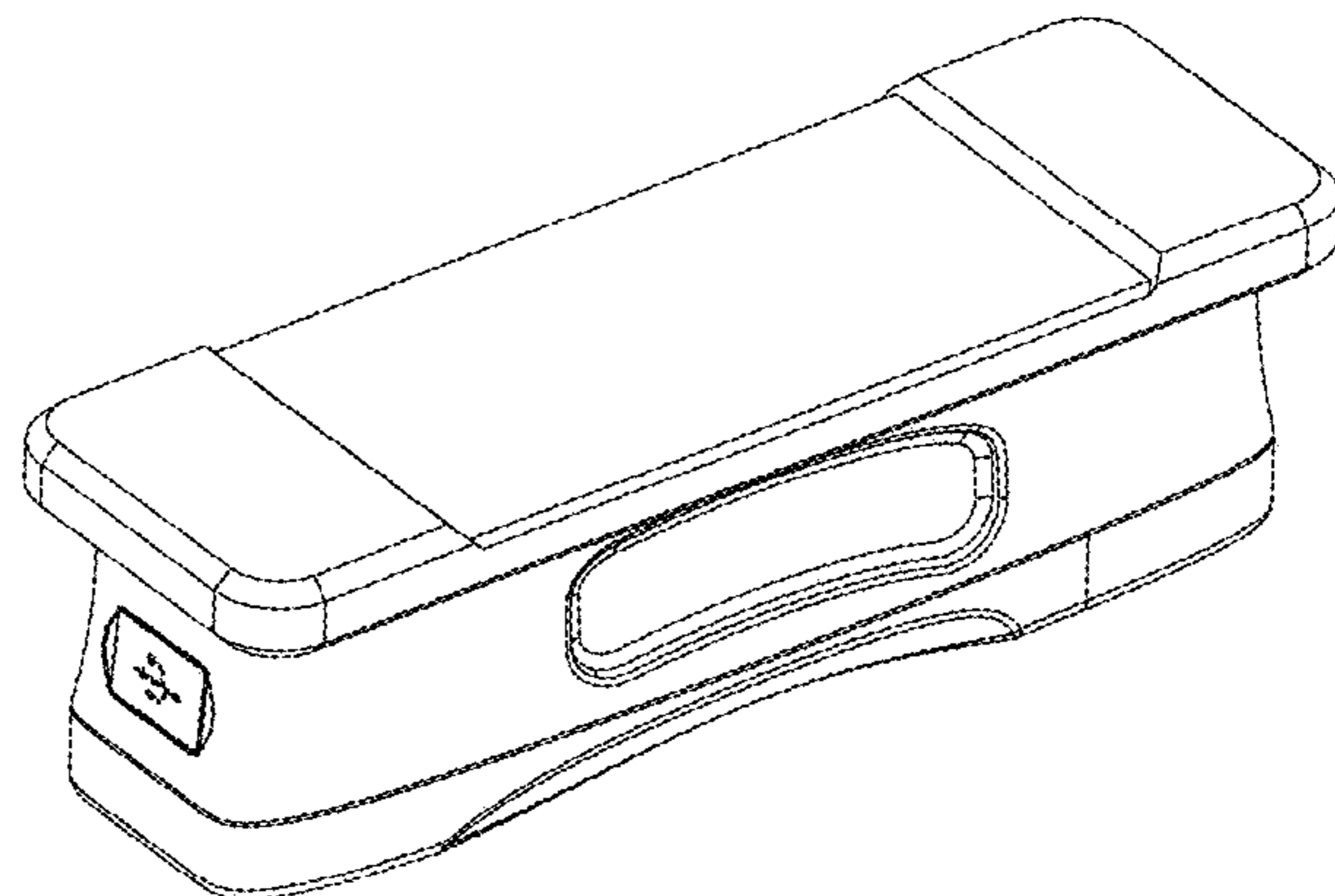
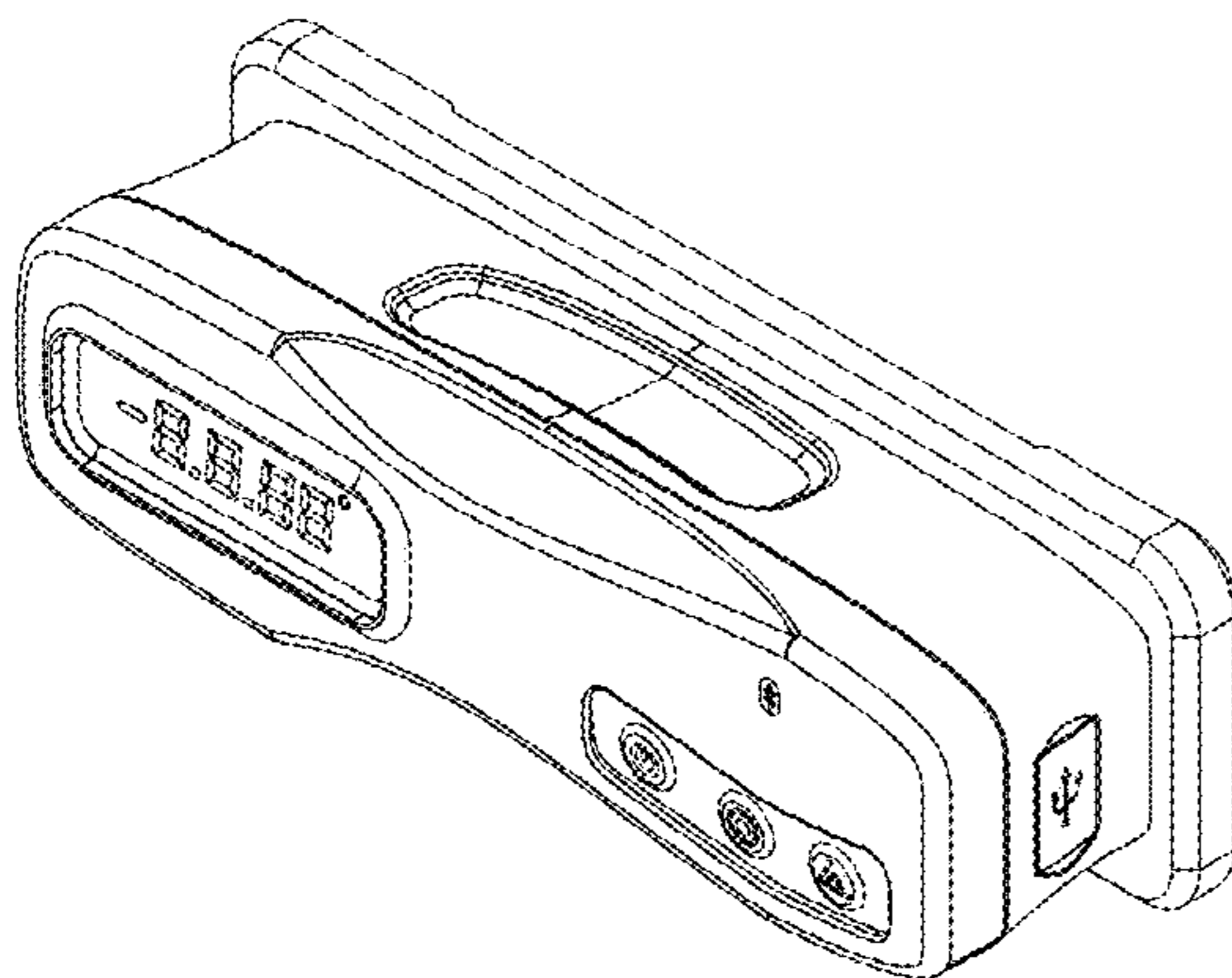
FIG. 8 is an elevated top and front perspective view of the digital level;

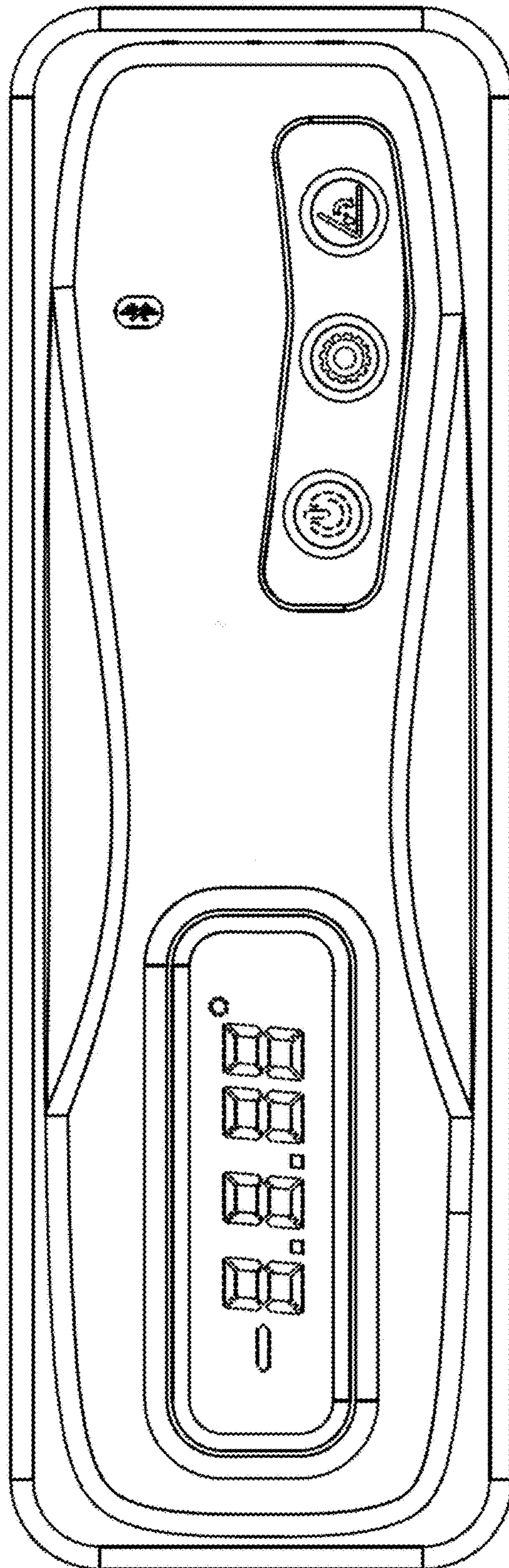
FIG. 9 is an elevated bottom and back perspective view of the digital level; and,

FIG. 10 is an elevated bottom and front perspective view of the digital level.

The broken lines in the Figures show portions of the digital level that form no part of the claimed design.

**1 Claim, 9 Drawing Sheets**





*FIG. 1*

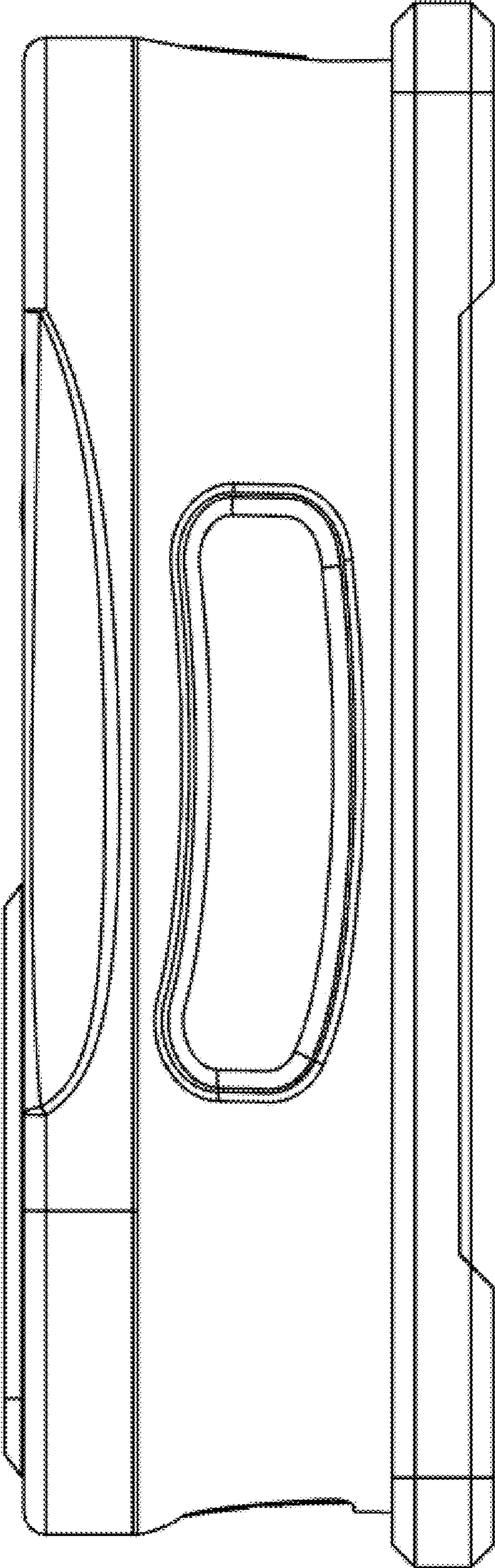
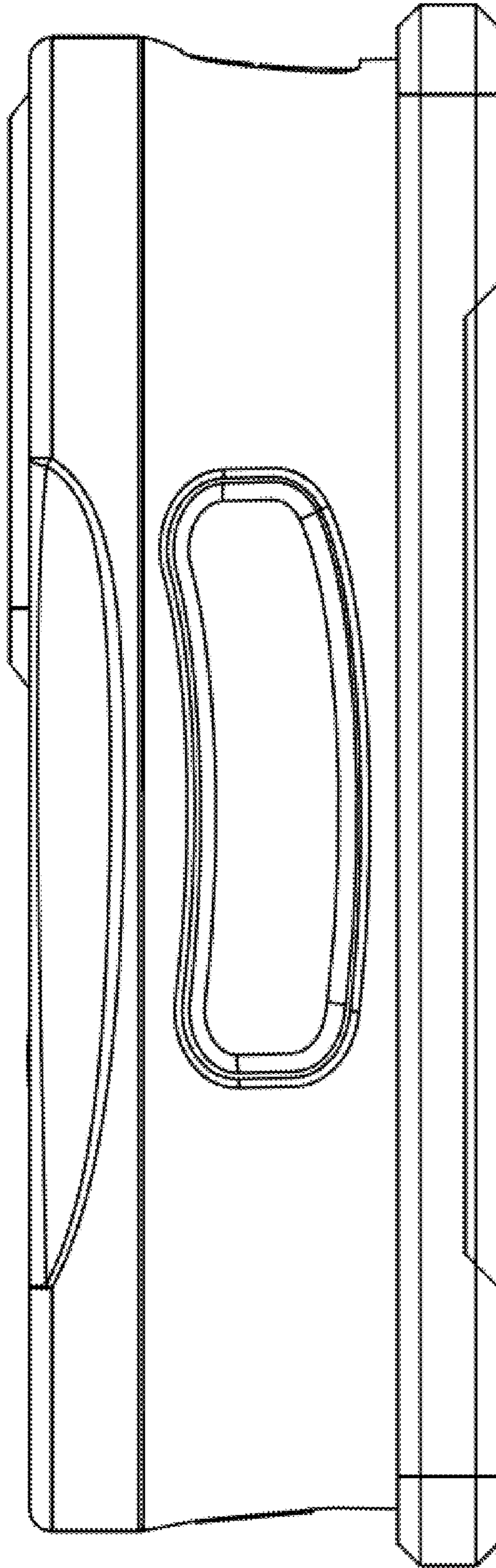
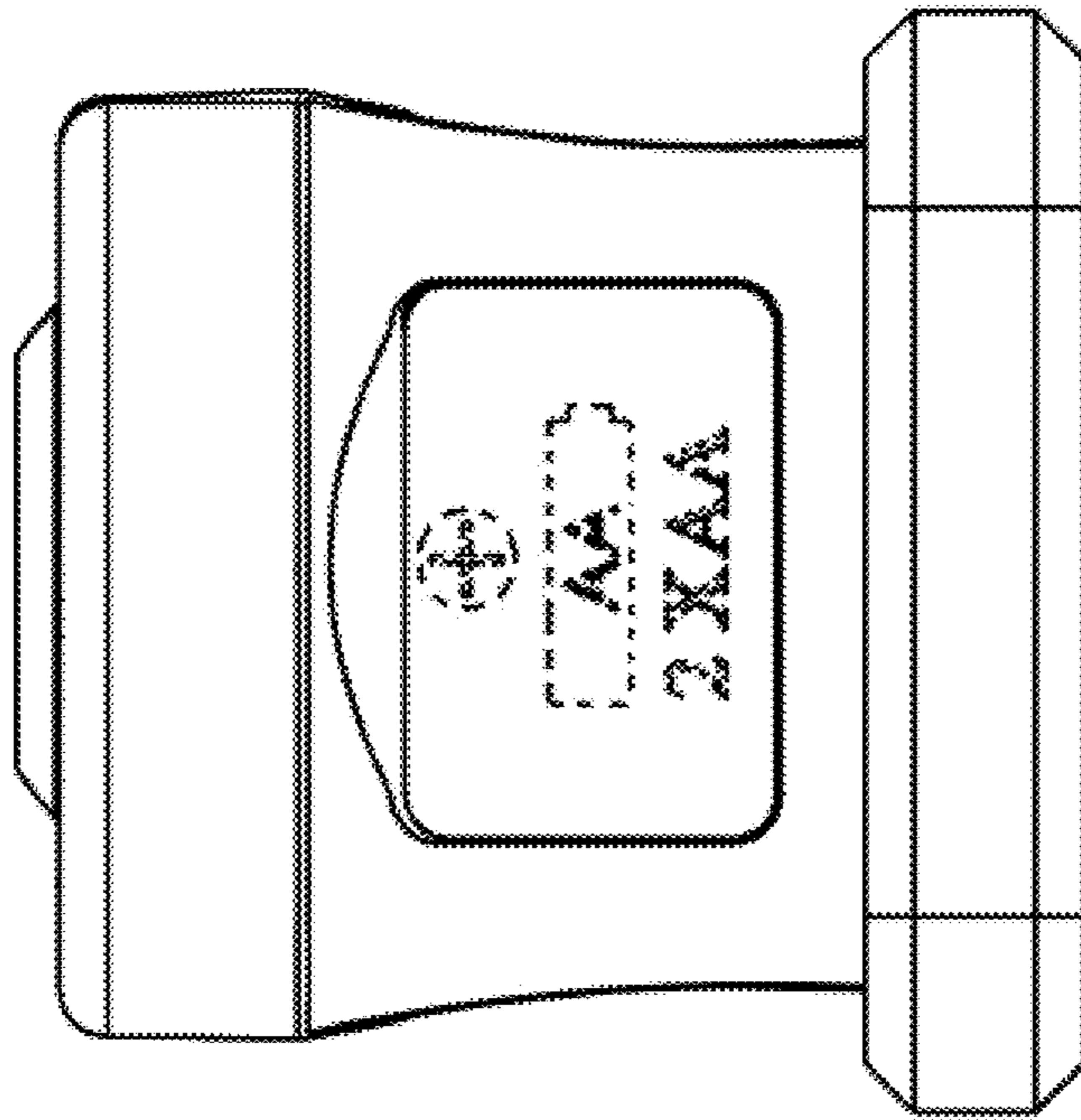


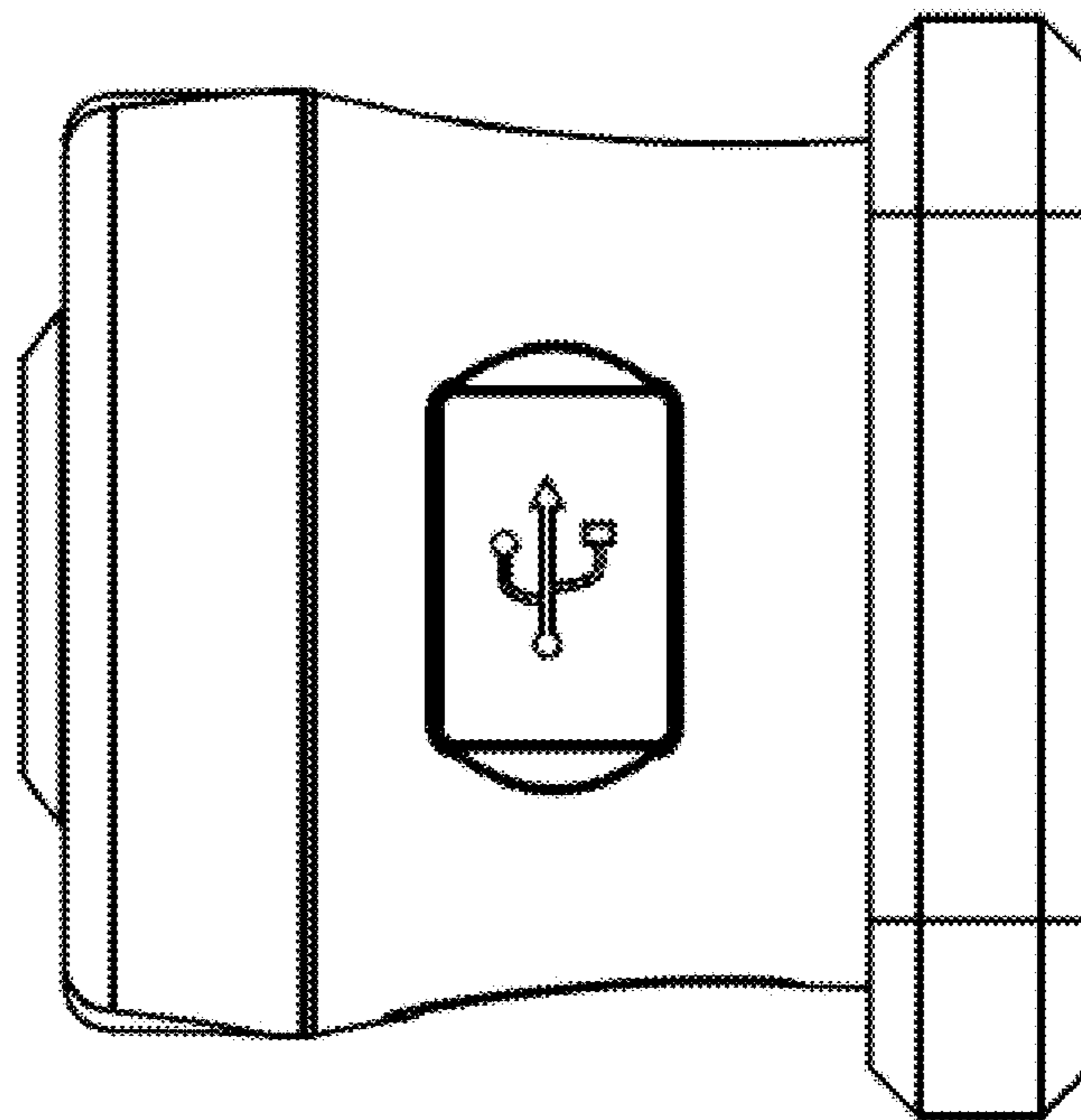
FIG. 2



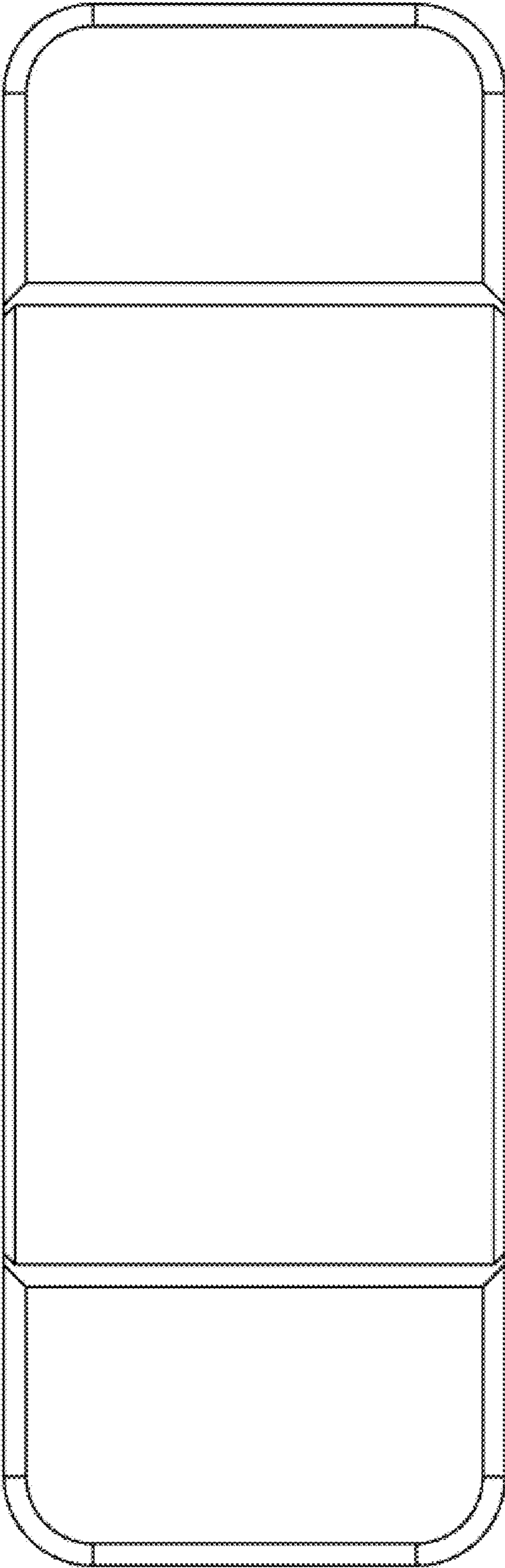
*FIG. 3*



**FIG. 4**



**FIG. 5**



*FIG. 6*

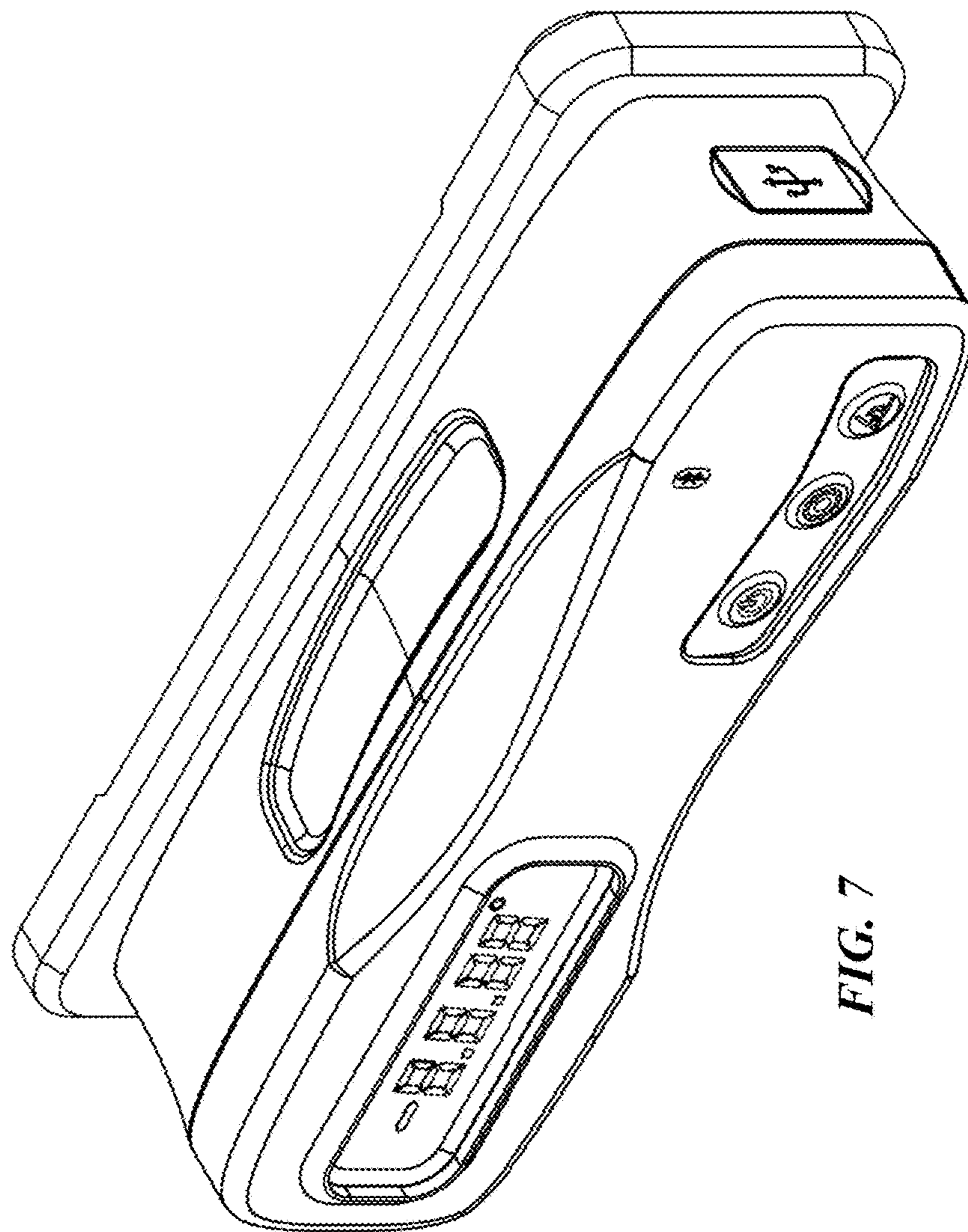
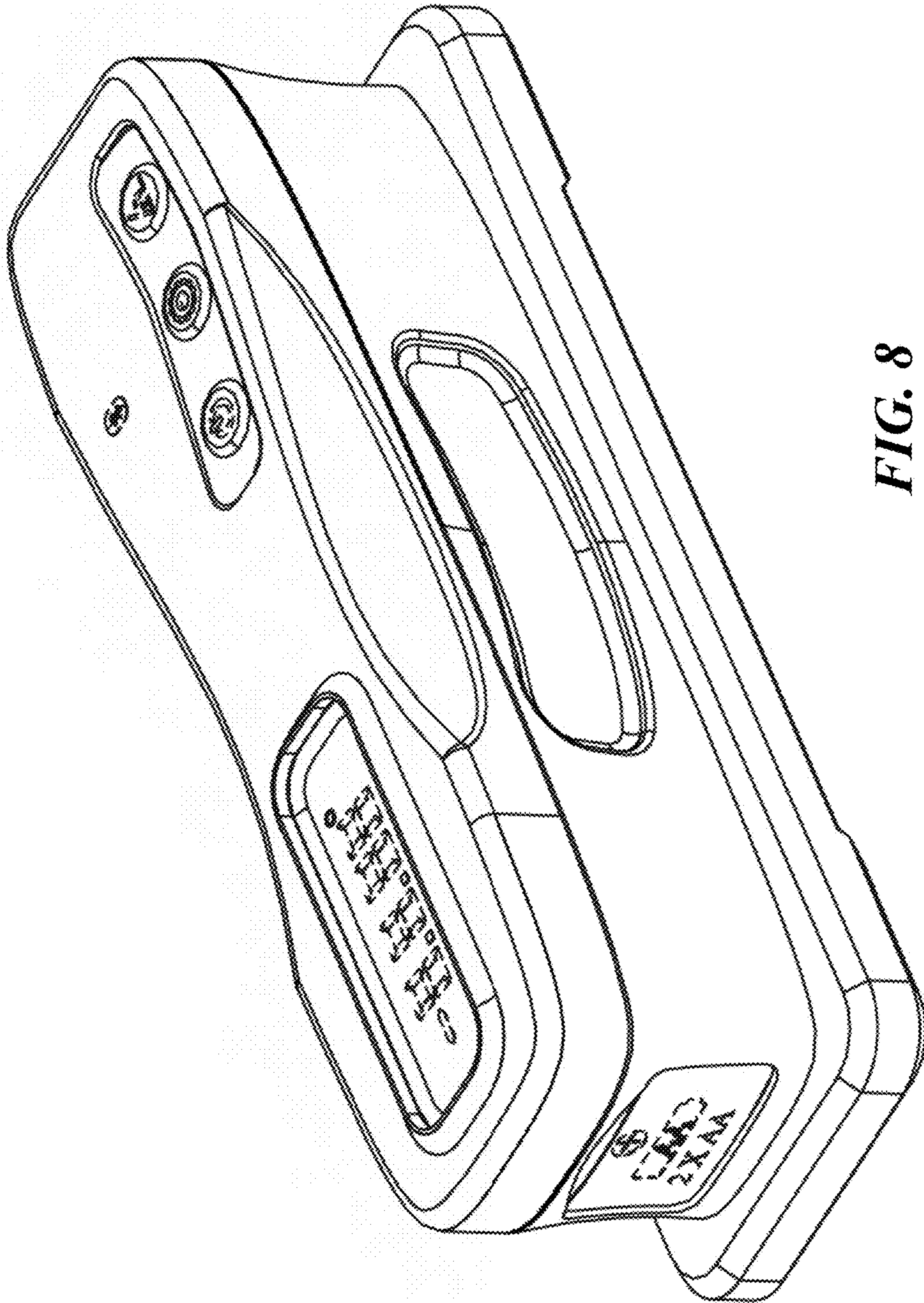


FIG. 7



**FIG. 8**



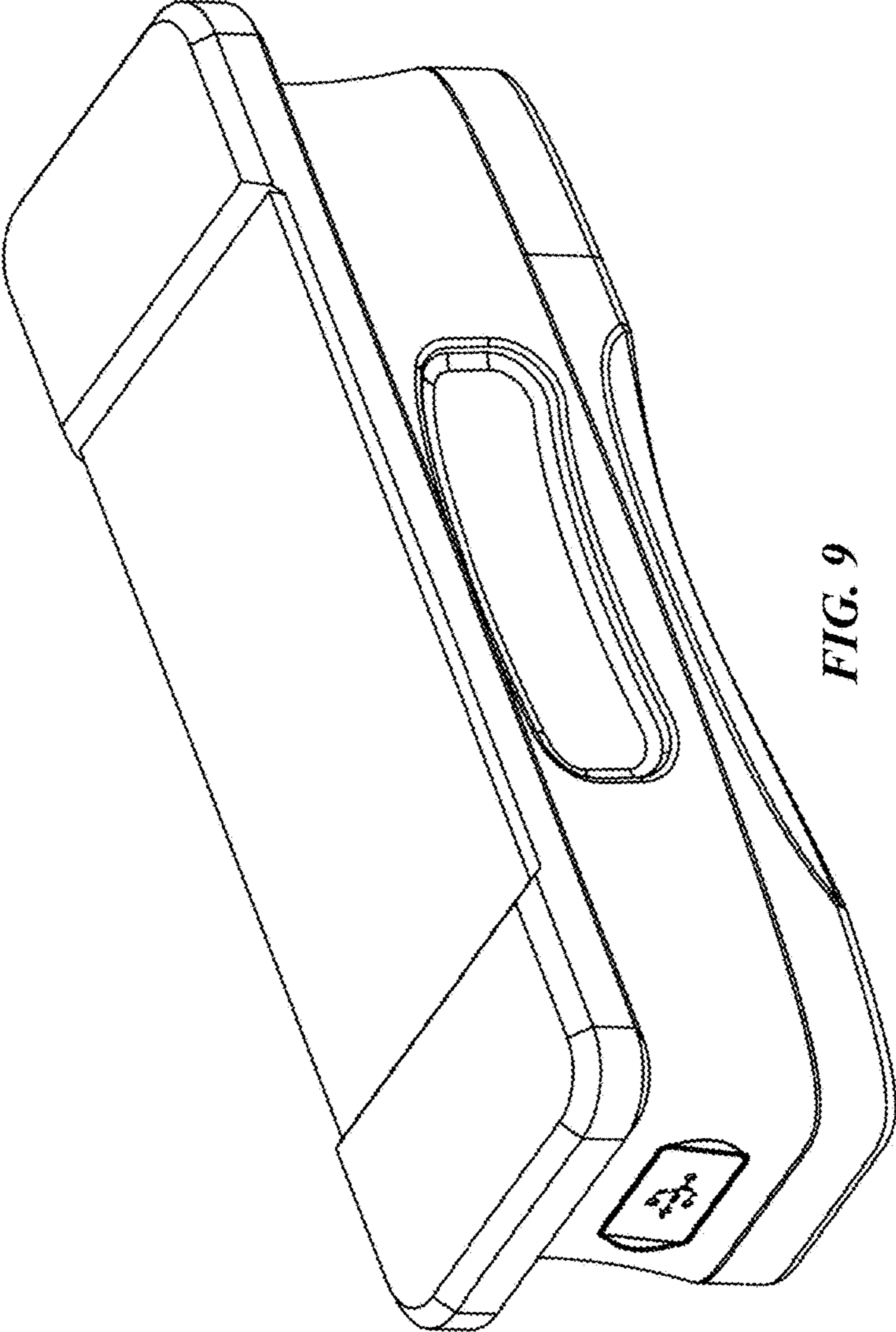
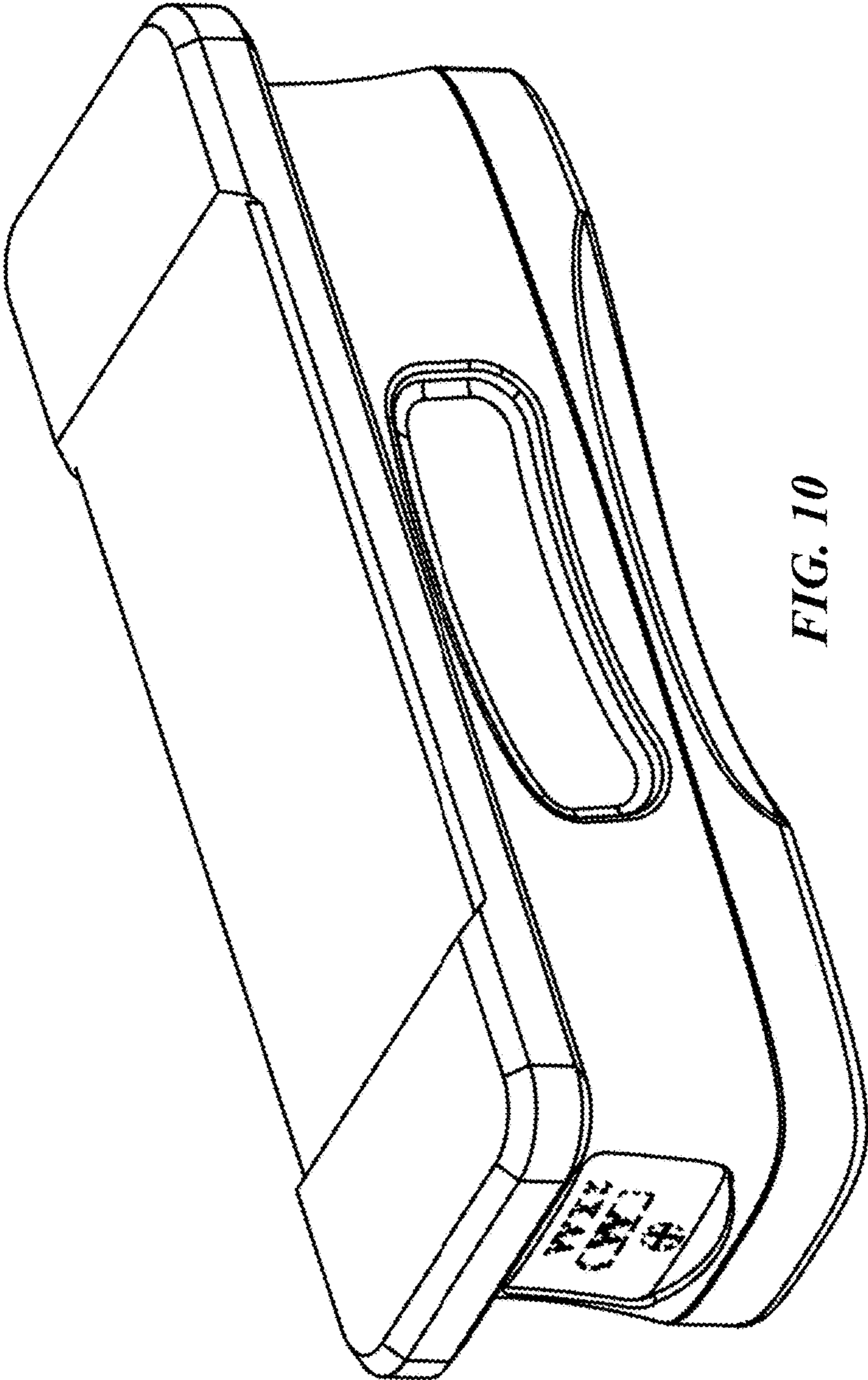


FIG. 9



*FIG. 10*

UNITED STATES PATENT AND TRADEMARK OFFICE  
**CERTIFICATE OF CORRECTION**

PATENT NO. : D807,210 S  
APPLICATION NO. : 29/584039  
DATED : January 9, 2018  
INVENTOR(S) : Kyaw Soe Moe, Bi Yong Kuu and Jim Hui Hong Li

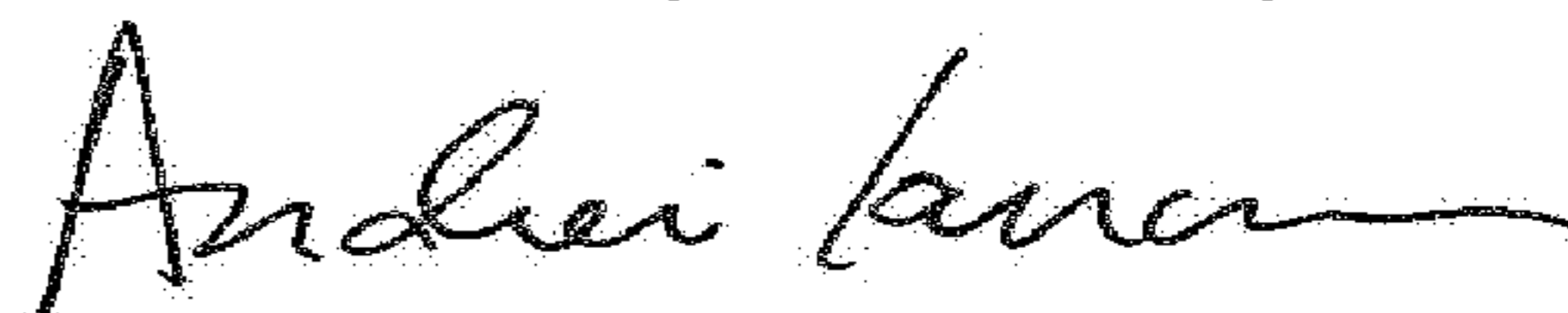
Page 1 of 1

It is certified that error appears in the above-identified patent and that said Letters Patent is hereby corrected as shown below:

On the Title Page

Item (73) Assignee should be listed as follows:  
Digipas Technologies, Inc.

Signed and Sealed this  
Twentieth Day of February, 2018



Andrei Iancu  
*Director of the United States Patent and Trademark Office*