



US00D807205S

(12) **United States Design Patent**
Usui et al.

(10) **Patent No.:** **US D807,205 S**
(45) **Date of Patent:** **** Jan. 9, 2018**

- (54) **CONTAINER FOR DOSIMETER**
- (71) Applicant: **NIPPON LIGHT METAL COMPANY, LTD.**, Tokyo (JP)
- (72) Inventors: **Hideaki Usui**, Tokyo (JP); **Hidaka Furuya**, Aichi (JP); **Maki Takahashi**, Tokyo (JP); **Hidenori Ishikawa**, Tokyo (JP)
- (73) Assignee: **Nippon Light Metal Company, Ltd.**, Tokyo (JP)
- (**) Term: **15 Years**
- (21) Appl. No.: **29/579,509**
- (22) Filed: **Sep. 30, 2016**
- (30) **Foreign Application Priority Data**

Mar. 31, 2016	(JP)	2016-007262
---------------	------	-------------
- (51) **LOC (11) Cl.** **10-04**
- (52) **U.S. Cl.**
USPC **D10/47**
- (58) **Field of Classification Search**
USPC D10/47
- (56) **References Cited**

U.S. PATENT DOCUMENTS

D490,326 S *	5/2004 Saubolle	D10/47
--------------	-----------------	--------

FOREIGN PATENT DOCUMENTS

CO	8944	1/2016
EM	000969241-0002	7/2008

OTHER PUBLICATIONS

“Bitrina Food Manage”; Russian Journal; October; 2 pgs.
(Continued)

Primary Examiner — Antoine Duval Davis
(74) *Attorney, Agent, or Firm* — Muncy, Geissler, Olds & Lowe, P.C.

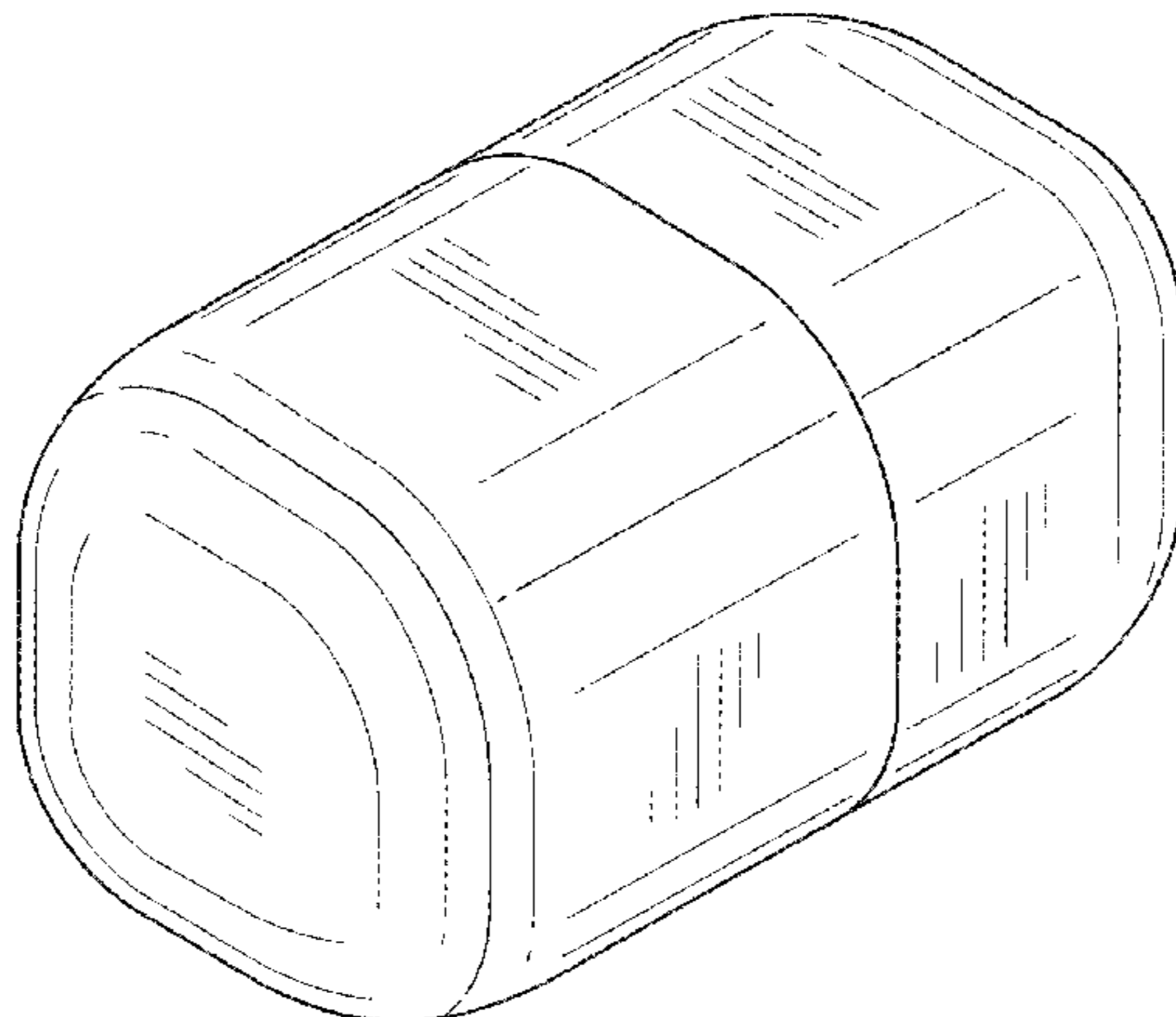
(57) **CLAIM**

The ornamental design for a container for dosimeter, as shown and described.

DESCRIPTION

FIG. 1 is a perspective view of a container for dosimeter showing our new design;
 FIG. 2 is a front elevational view thereof, the rear elevational view being identical thereto;
 FIG. 3 is a top plan view thereof, the bottom plan view being identical thereof;
 FIG. 4 is a right side view thereof, the left side being identical thereto;
 FIG. 5 is a cross-sectional view taken along line 5-5 of FIG. 2;
 FIG. 6 is a perspective view of a lid portion of the container for dosimeter;
 FIG. 7 is a front elevational view of the lid portion, the rear elevational view being identical thereto;
 FIG. 8 is top plan view of the lid portion, the bottom plan view being identical thereto;
 FIG. 9 is a right side view of the lid portion;
 FIG. 10 is left side view of the lid portion;
 FIG. 11 is a perspective view of a main body member of the container for dosimeter;
 FIG. 12 is a front elevational view of the main body member, the rear elevational view being identical thereto;
 FIG. 13 is top plan view of the main body member, the bottom plan view being identical thereto;
 FIG. 14 is a right side view of the main body member;
 FIG. 15 is left side view of the main body member; and,
 FIG. 16 is a perspective view of the container for dosimeter in use.
 The broken line showing is for the purpose of illustrating environmental structure which forms no part of the claimed design.

1 Claim, 8 Drawing Sheets



(58) **Field of Classification Search**

CPC G01T 1/00; G01T 1/003; G01T 1/006;
G01T 1/02; G01T 1/023; G01T 1/026;
G01T 1/04; G01T 1/06; G01T 1/08;
G01T 1/10; G01T 1/105; G01T 1/11;
G01T 1/115; G01T 1/12; G01T 1/14;
G01T 1/142; G01T 1/15; G01T 1/16;
G01T 1/1603

See application file for complete search history.

(56) **References Cited**

OTHER PUBLICATIONS

“Packaging International”; Russian Journal; No. 5; Oct. 2008; 2 pgs.
An Office Action from corresponding RU Application No.
2016503824 dated Aug. 15, 2017; 4 pgs.

* cited by examiner

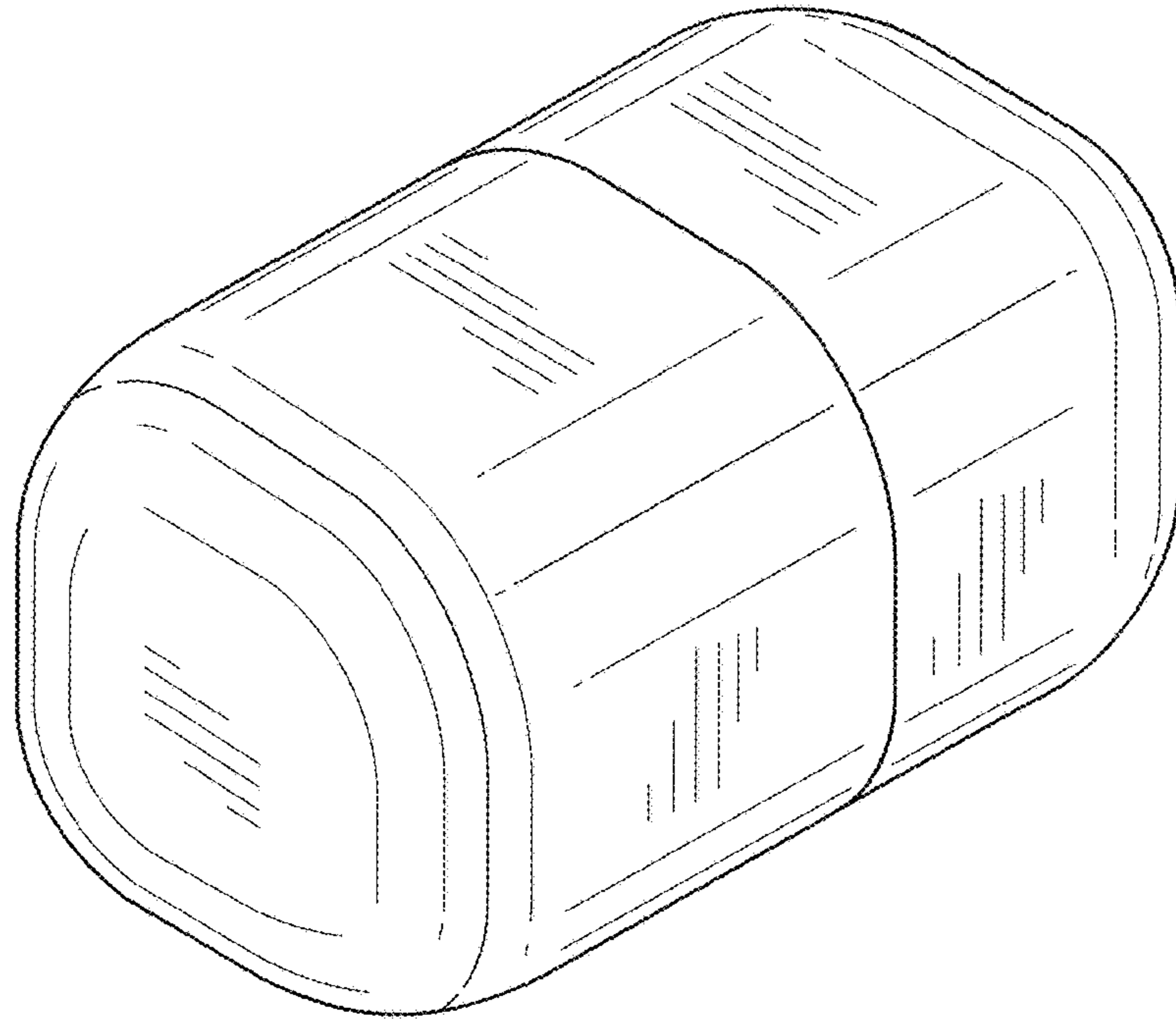


FIG. 1

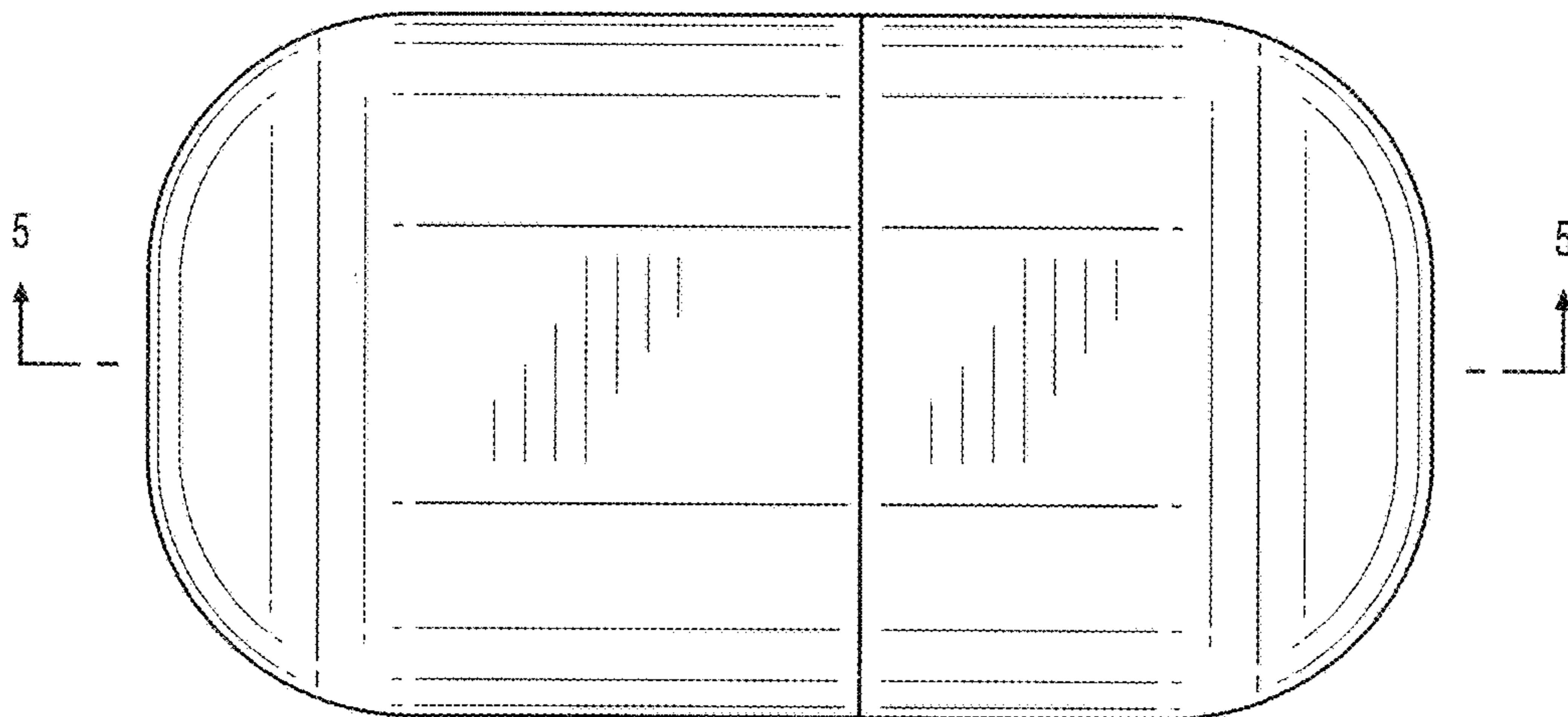


FIG. 2

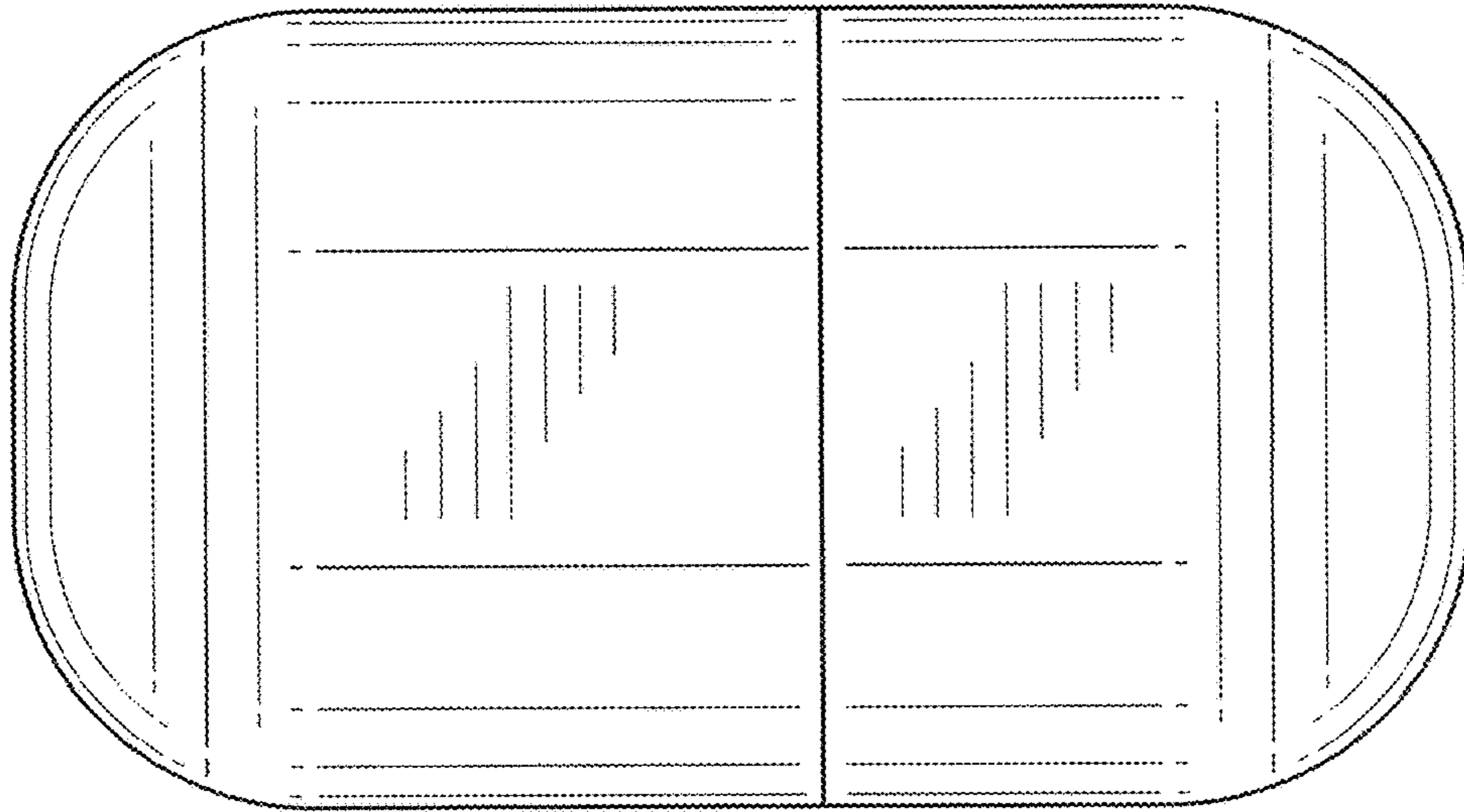


FIG. 3

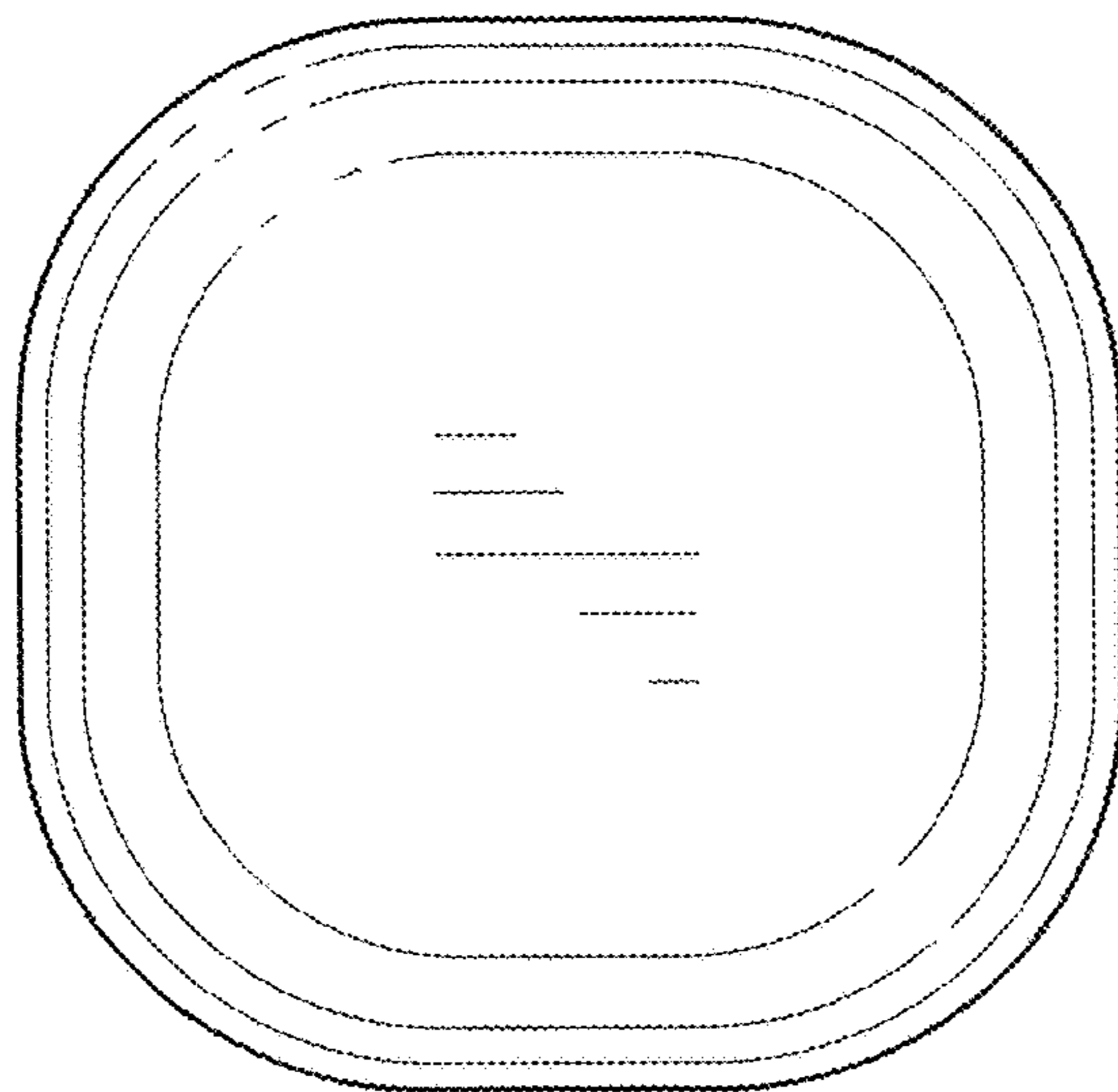


FIG. 4

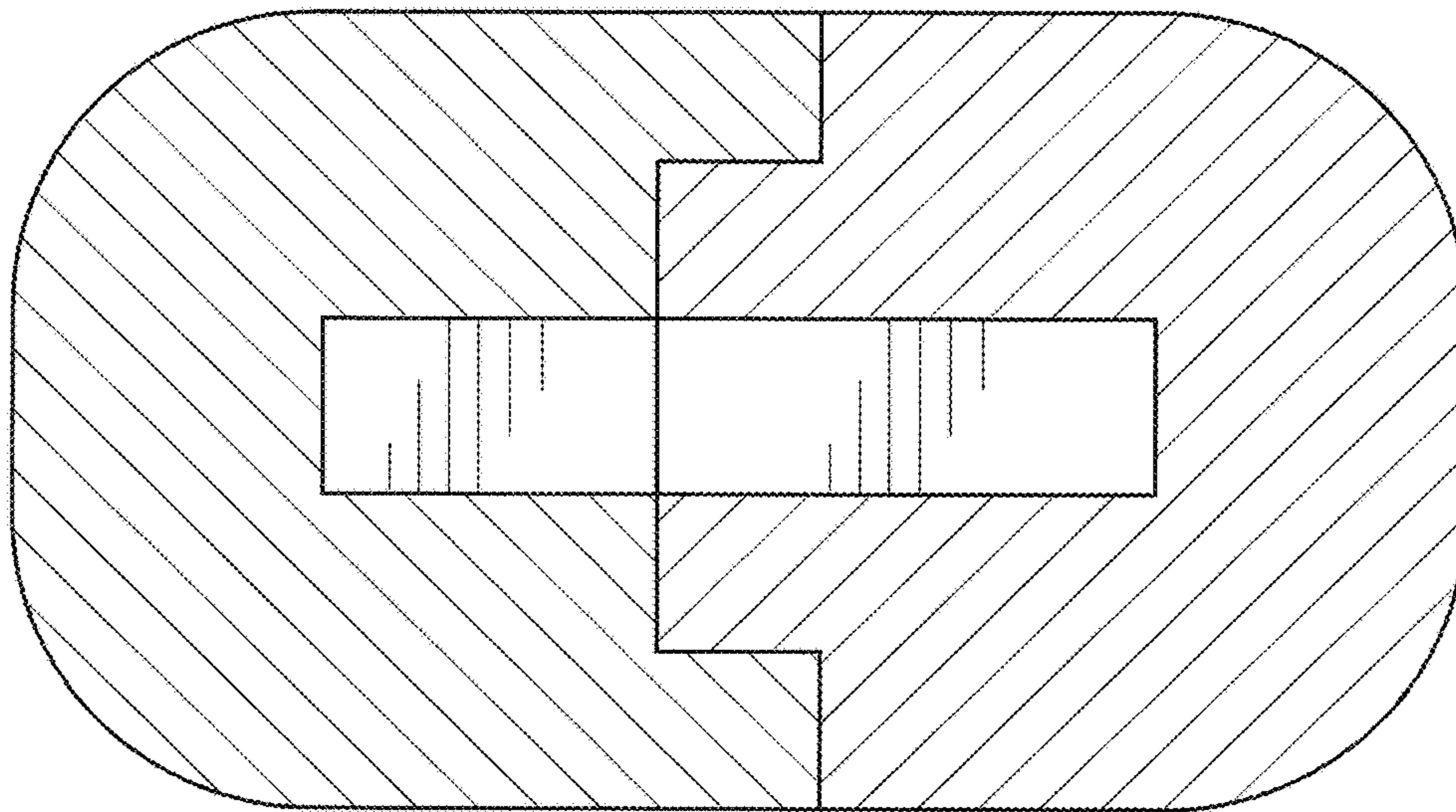


FIG. 5

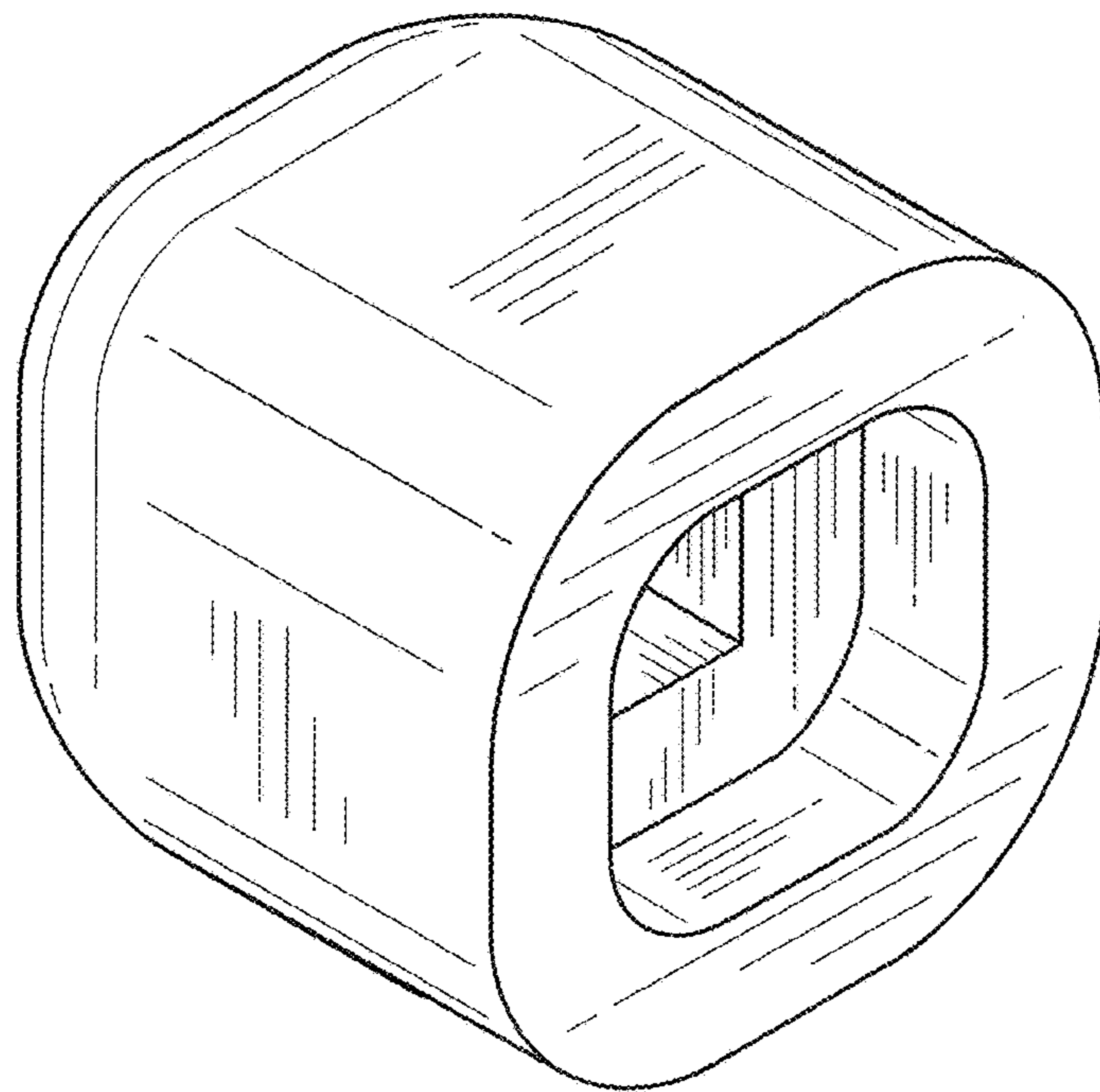


FIG. 6

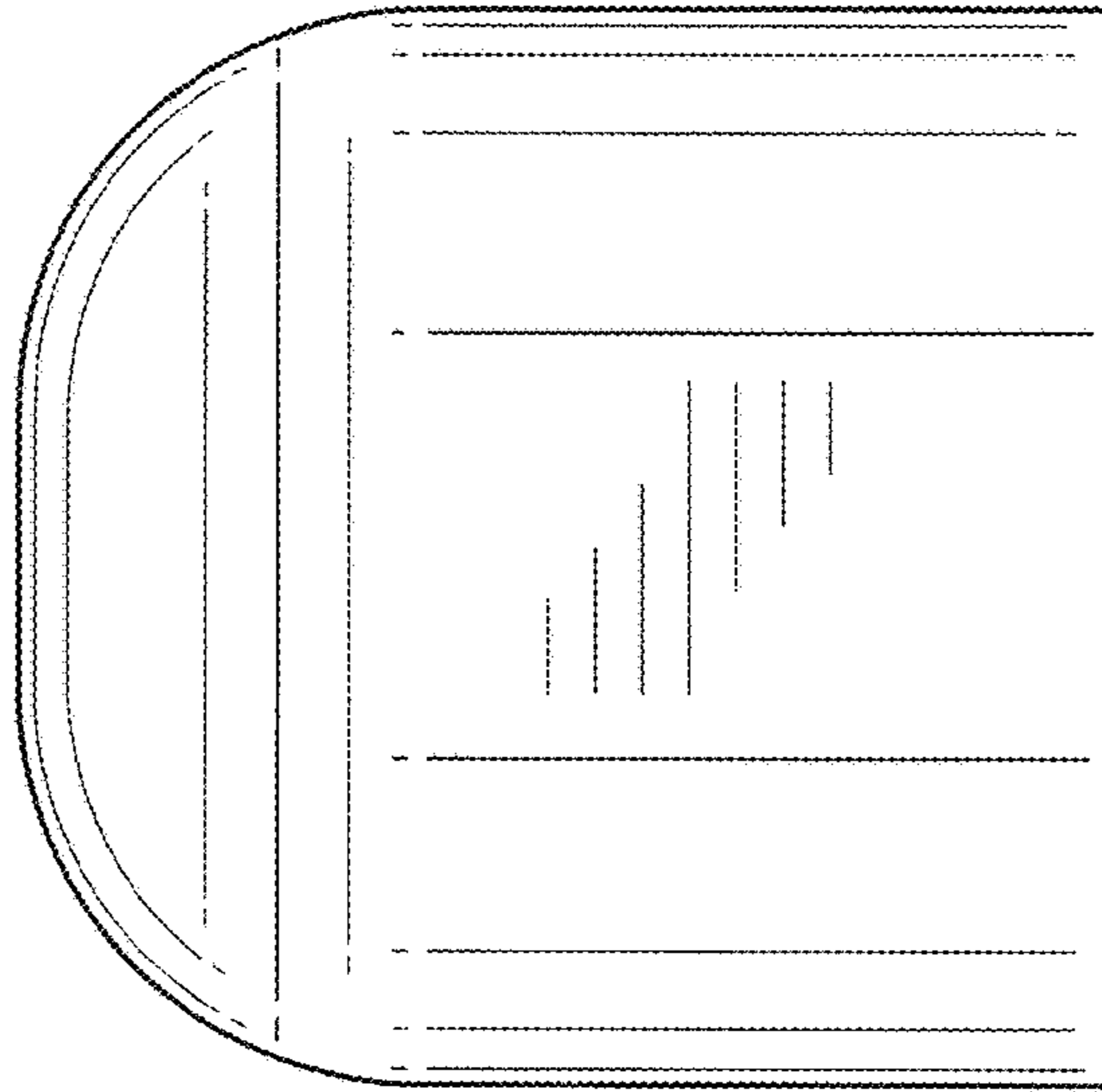


FIG. 7

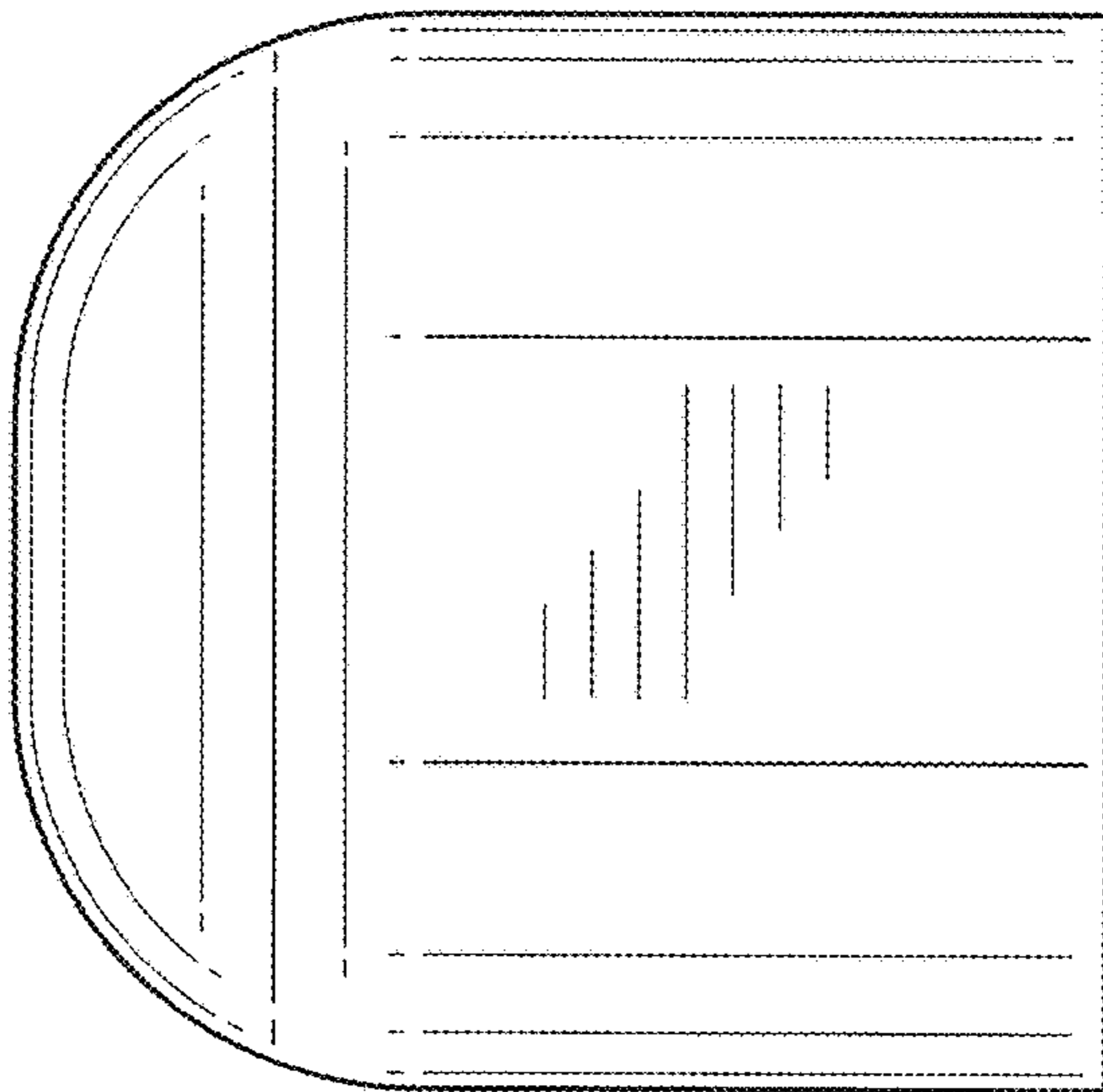


FIG. 8

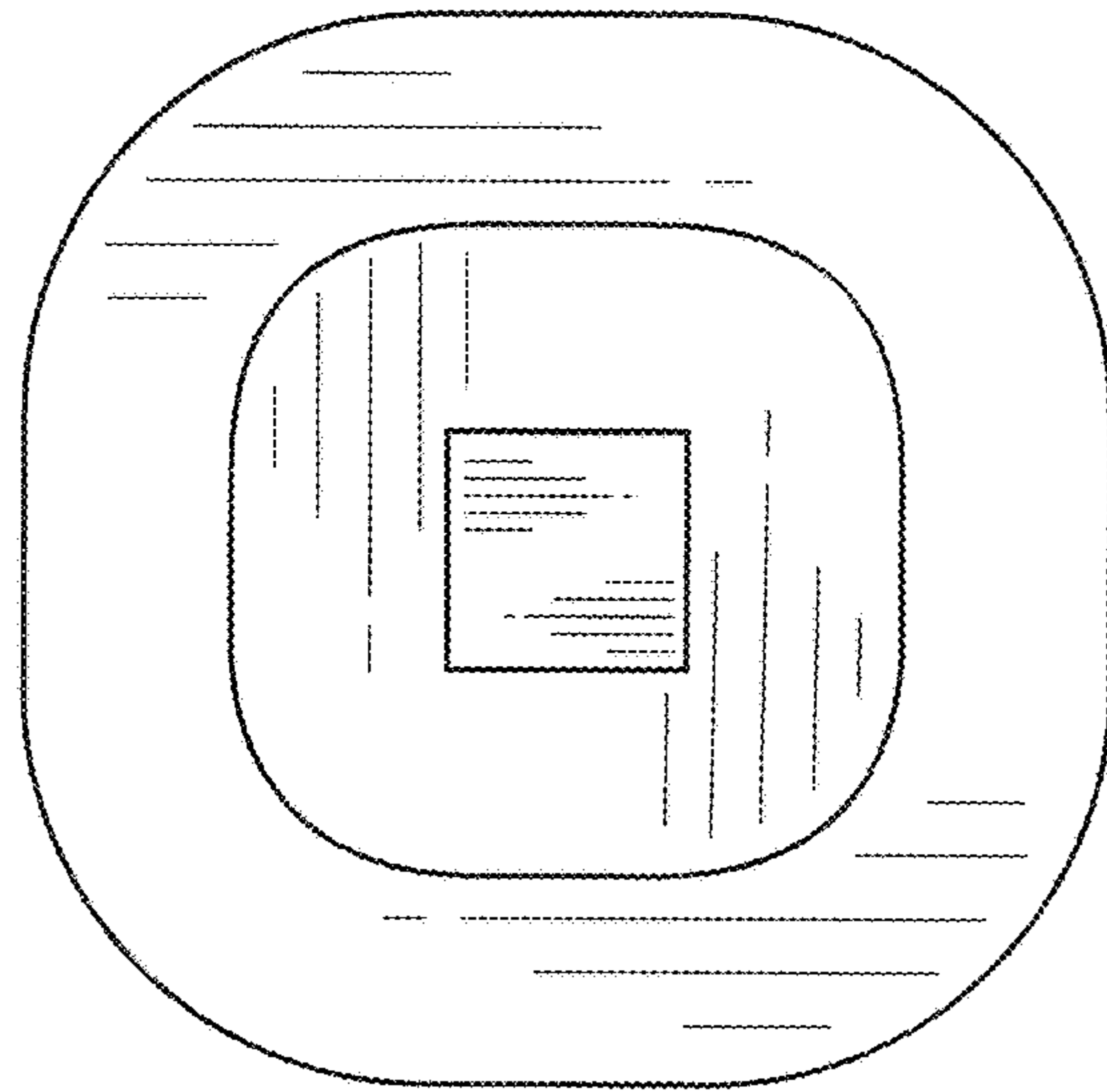


FIG. 9

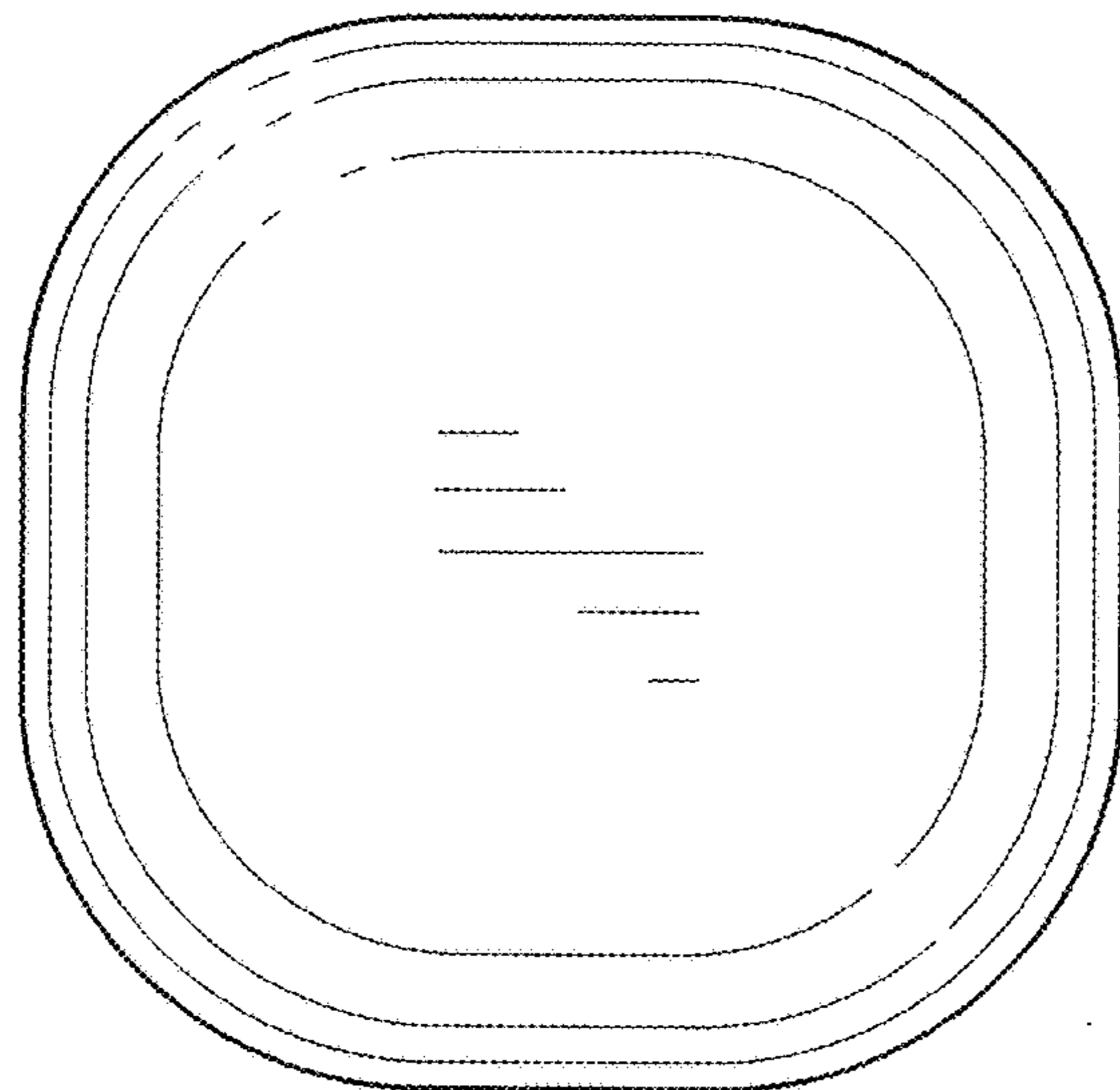


FIG. 10

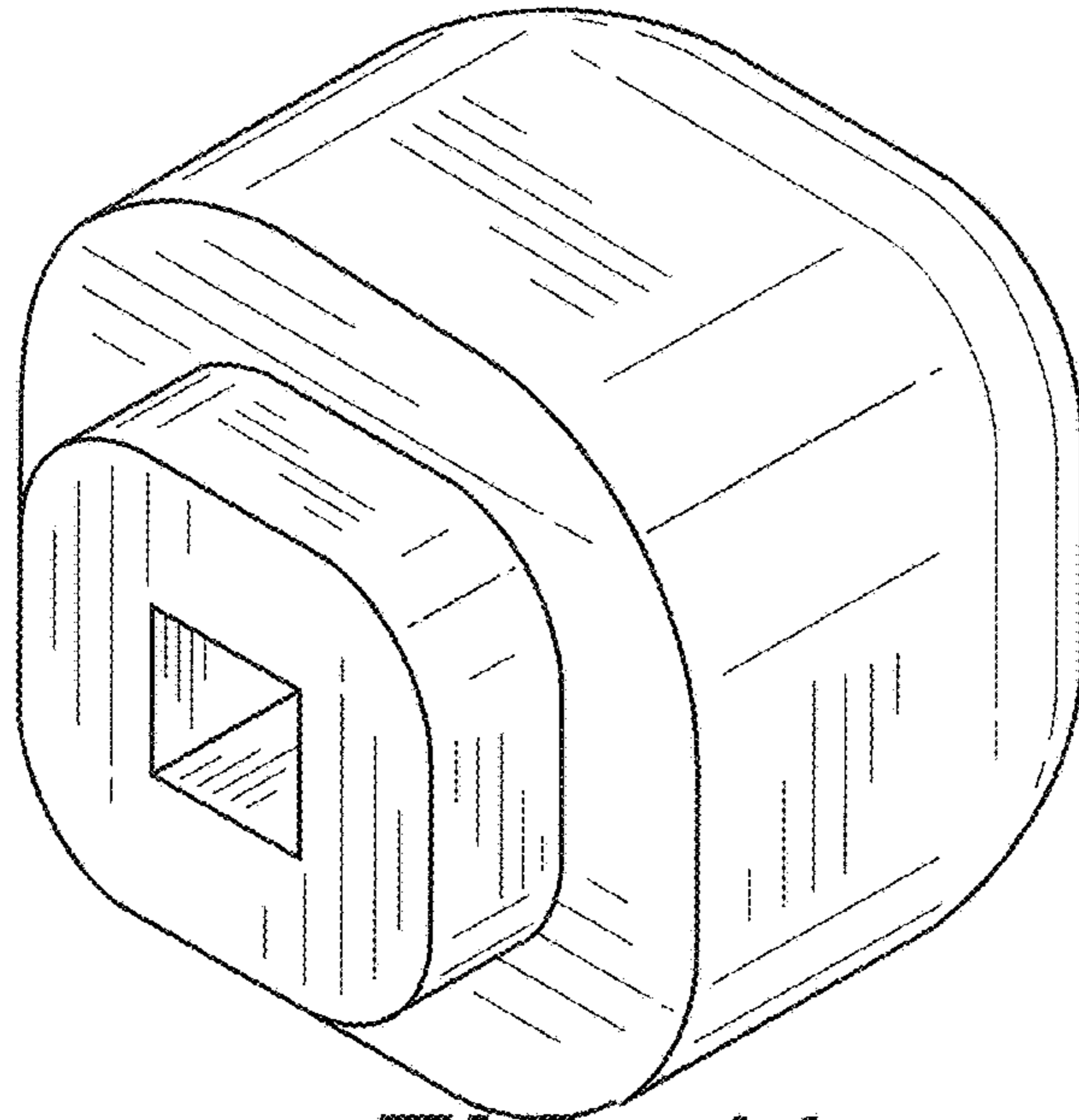


FIG. 11

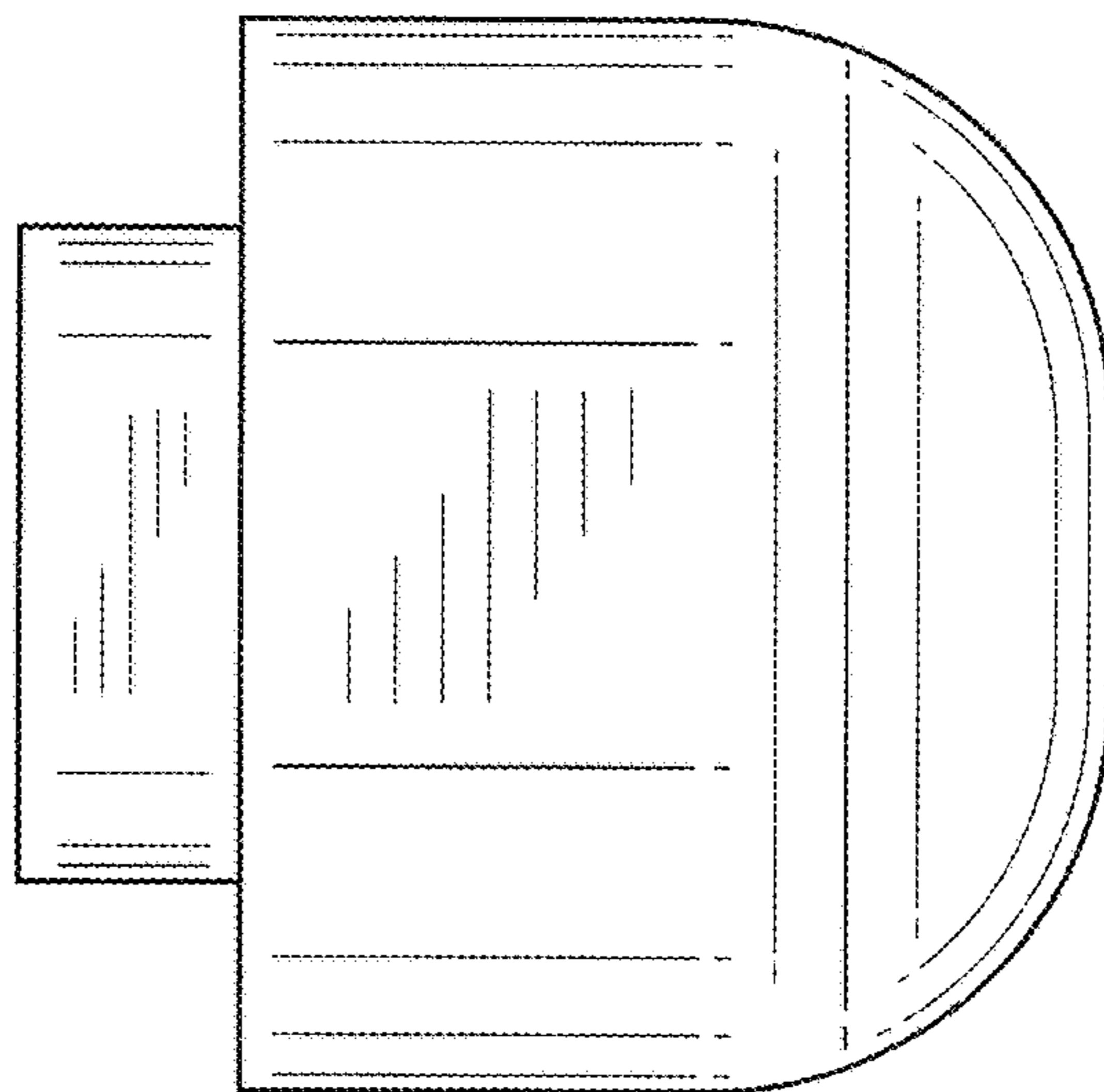


FIG. 12

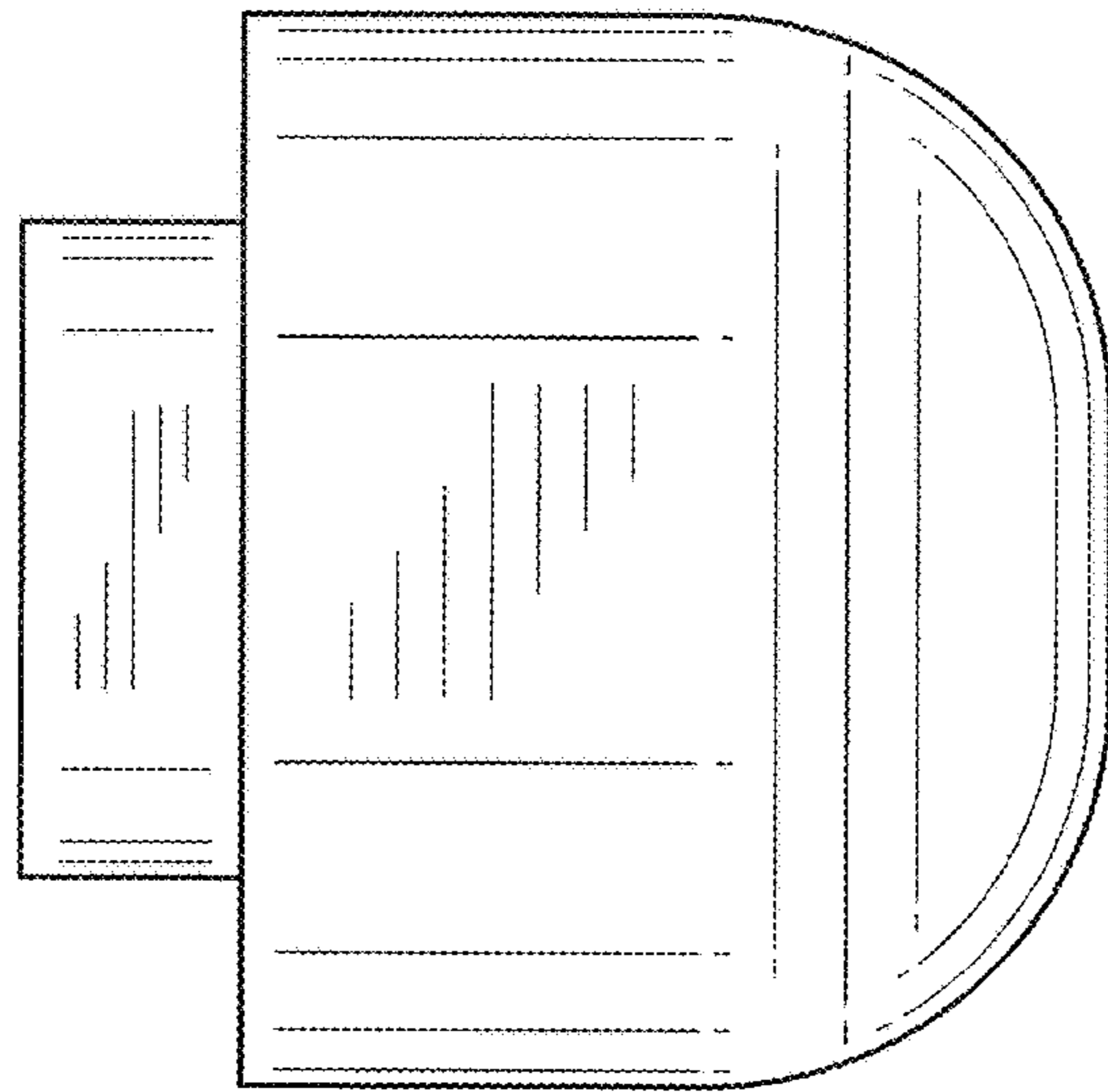


FIG. 13

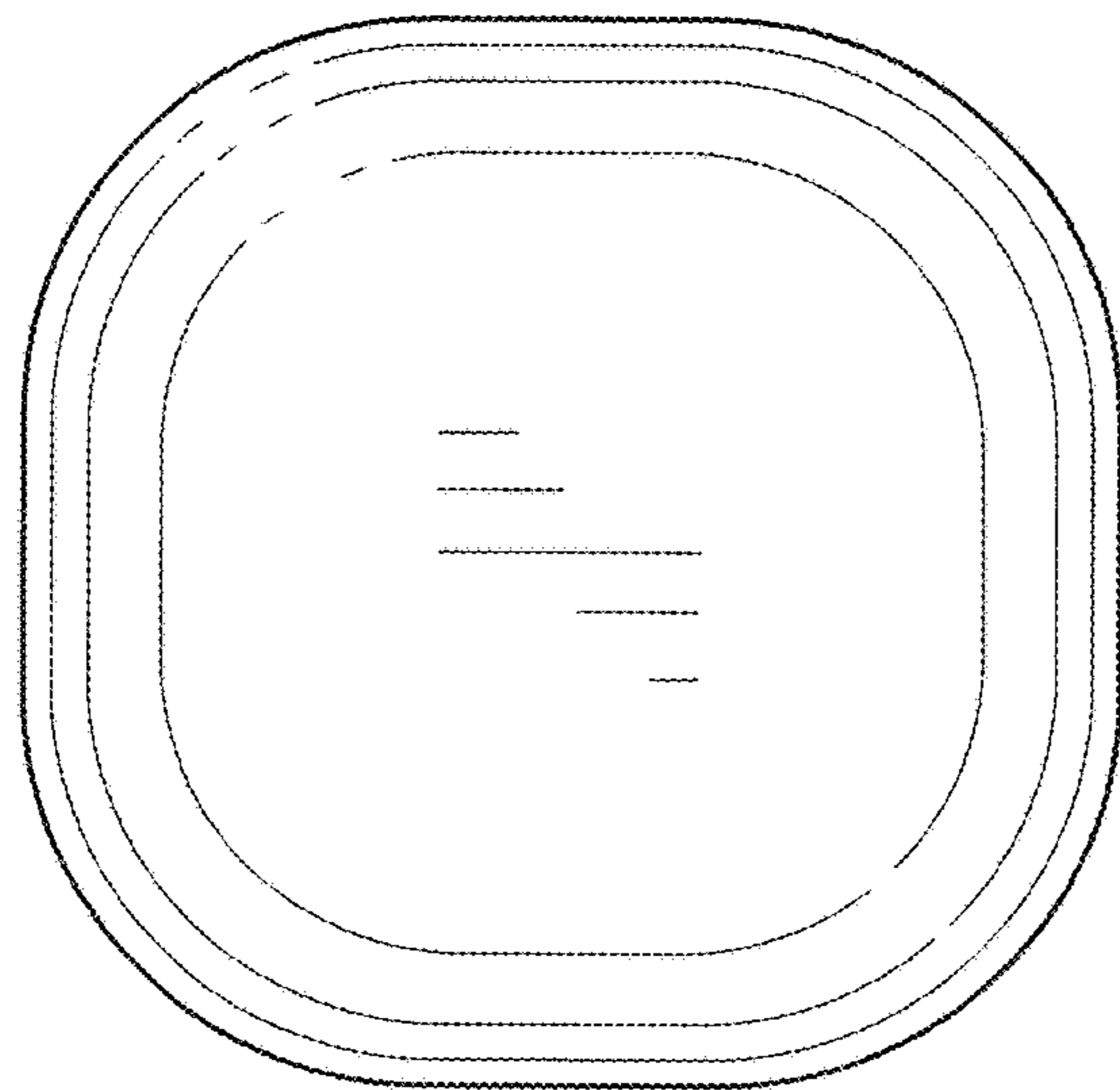


FIG. 14

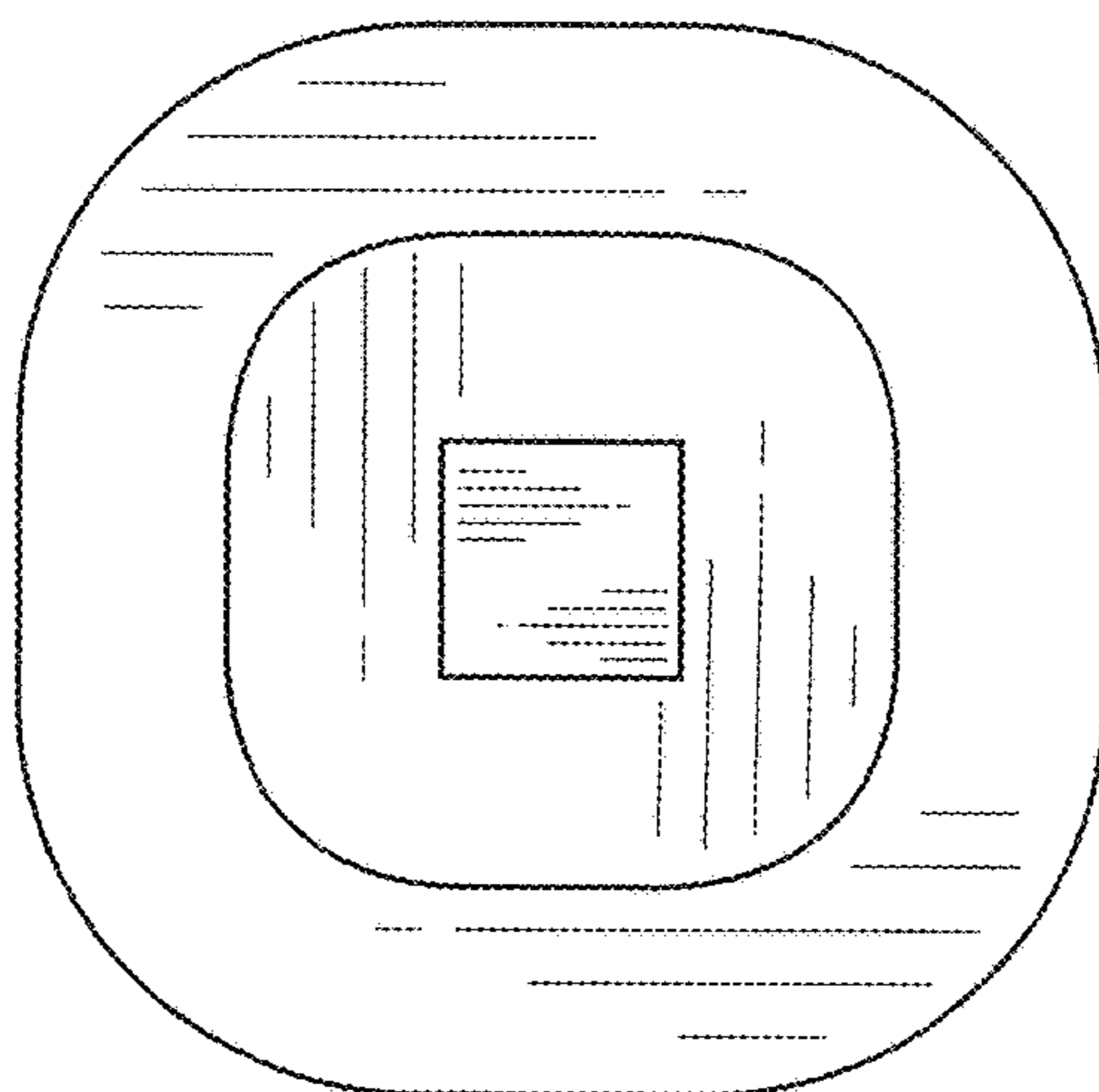


FIG. 15

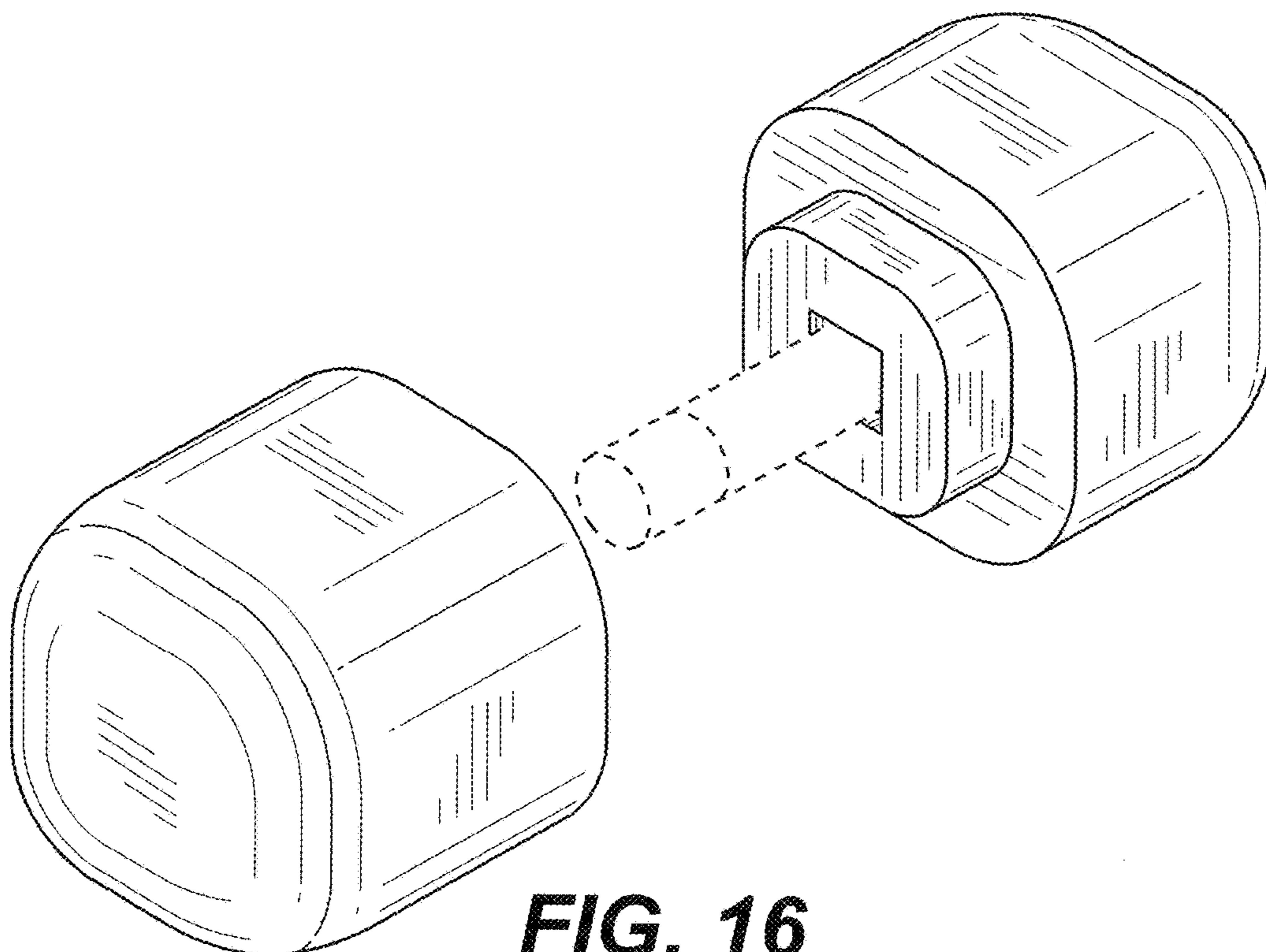


FIG. 16