



US00D807204S

(12) **United States Design Patent**
Usui et al.

(10) **Patent No.:** **US D807,204 S**
(45) **Date of Patent:** **** Jan. 9, 2018**

(54) **CONTAINER FOR DOSIMETER**

(71) Applicant: **NIPPON LIGHT METAL COMPANY, LTD.**, Tokyo (JP)

(72) Inventors: **Hideaki Usui**, Tokyo (JP); **Hidaka Furuya**, Aichi (JP); **Maki Takahashi**, Tokyo (JP); **Hidenori Ishikawa**, Tokyo (JP)

(73) Assignee: **Nippon Light Metal Company, Ltd.**, Tokyo (JP)

(**) Term: **15 Years**

(21) Appl. No.: **29/579,505**

(22) Filed: **Sep. 30, 2016**

(30) **Foreign Application Priority Data**

Mar. 31, 2016 (JP) 2016-007261

(51) **LOC (11) Cl.** **10-04**

(52) **U.S. Cl.**
USPC **D10/47**

(58) **Field of Classification Search**
USPC D10/47
CPC G01T 1/00; G01T 1/003; G01T 1/006;
G01T 1/02; G01T 1/023; G01T 1/026;
G01T 1/04; G01T 1/06; G01T 1/08;
G01T 1/10; G01T 1/105; G01T 1/11;
G01T 1/115; G01T 1/12; G01T 1/14;
G01T 1/142; G01T 1/15; G01T 1/16;
G01T 1/1603

See application file for complete search history.

(56) **References Cited**

U.S. PATENT DOCUMENTS

D285,931 S * 9/1986 May D10/47
D286,298 S * 10/1986 May D10/47
D412,456 S * 8/1999 Uehara D10/47

* cited by examiner

Primary Examiner — Antoine Duval Davis

(74) *Attorney, Agent, or Firm* — Muncy, Geissler, Olds & Lowe, P.C.

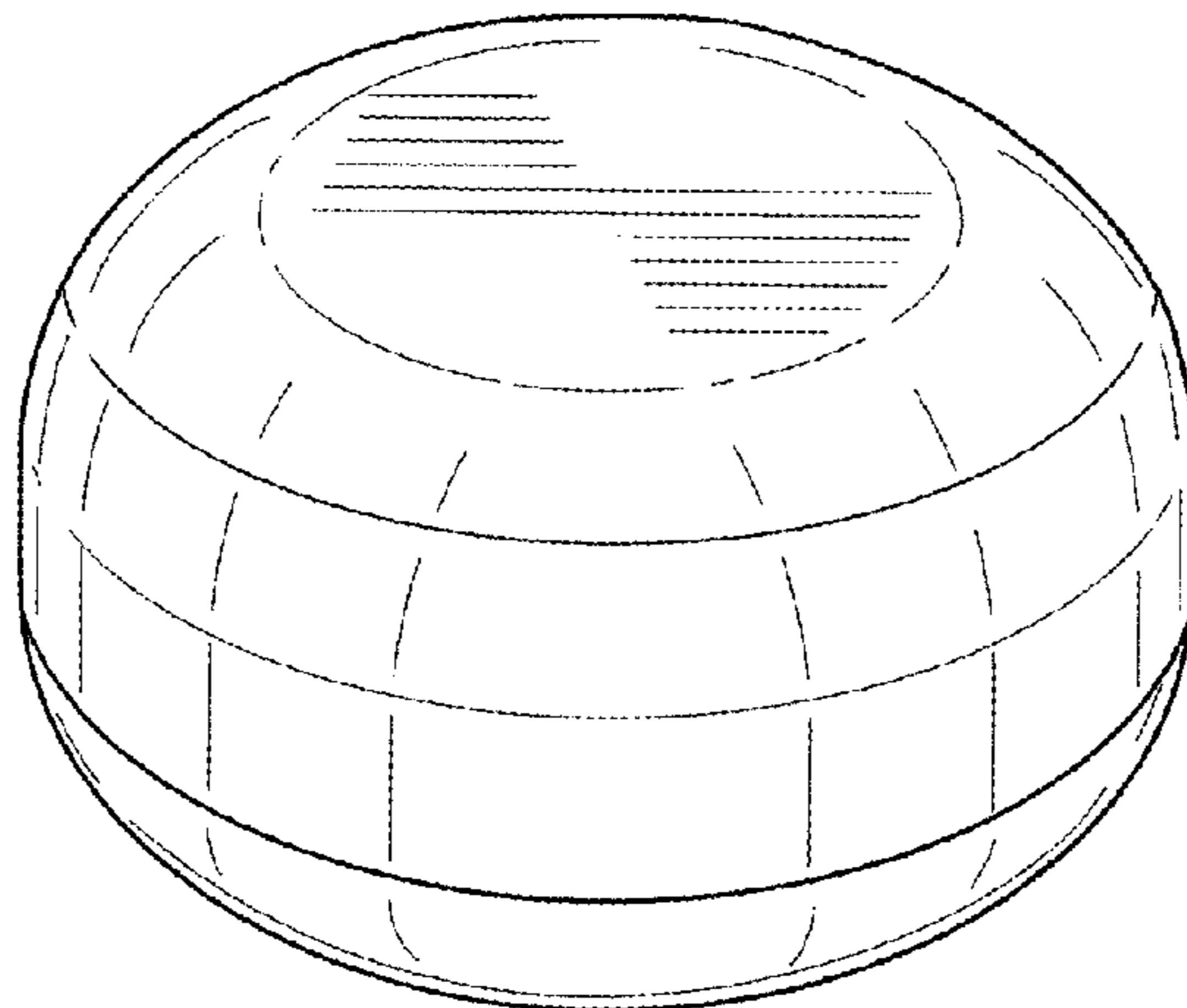
(57) **CLAIM**

The ornamental design for a container for dosimeter, as shown and described.

DESCRIPTION

FIG. 1 is a perspective view of a container for dosimeter showing our new design;
FIG. 2 is a front elevational view thereof, the rear elevational view being identical thereto;
FIG. 3 is a top plan view thereof, the bottom plan view being identical thereto;
FIG. 4 is a right side view thereof, the left side being identical thereto;
FIG. 5 is a cross-sectional view taken along line 5-5 of FIG. 3;
FIG. 6 is a perspective view of a lid portion of the container for dosimeter;
FIG. 7 is a front elevational view of the lid portion, the rear elevational view being identical thereto;
FIG. 8 is top plan view of the lid portion;
FIG. 9 is a bottom plan view of the lid portion;
FIG. 10 is right side view of the lid portion, the left side view being identical thereto;
FIG. 11 is a perspective view of a main body member of the container for dosimeter;
FIG. 12 is a front elevational view of the main body member, the rear elevational view being identical thereto;
FIG. 13 is top plan view of the main body member;
FIG. 14 is a bottom plan view of the main body member;
FIG. 15 is right side view of the main body member, the left side view being identical thereto; and,
FIG. 16 is a perspective view of the container for dosimeter in use.
The broken line showing is for the purpose of illustrating environmental structure which forms no part of the claimed design.

1 Claim, 8 Drawing Sheets



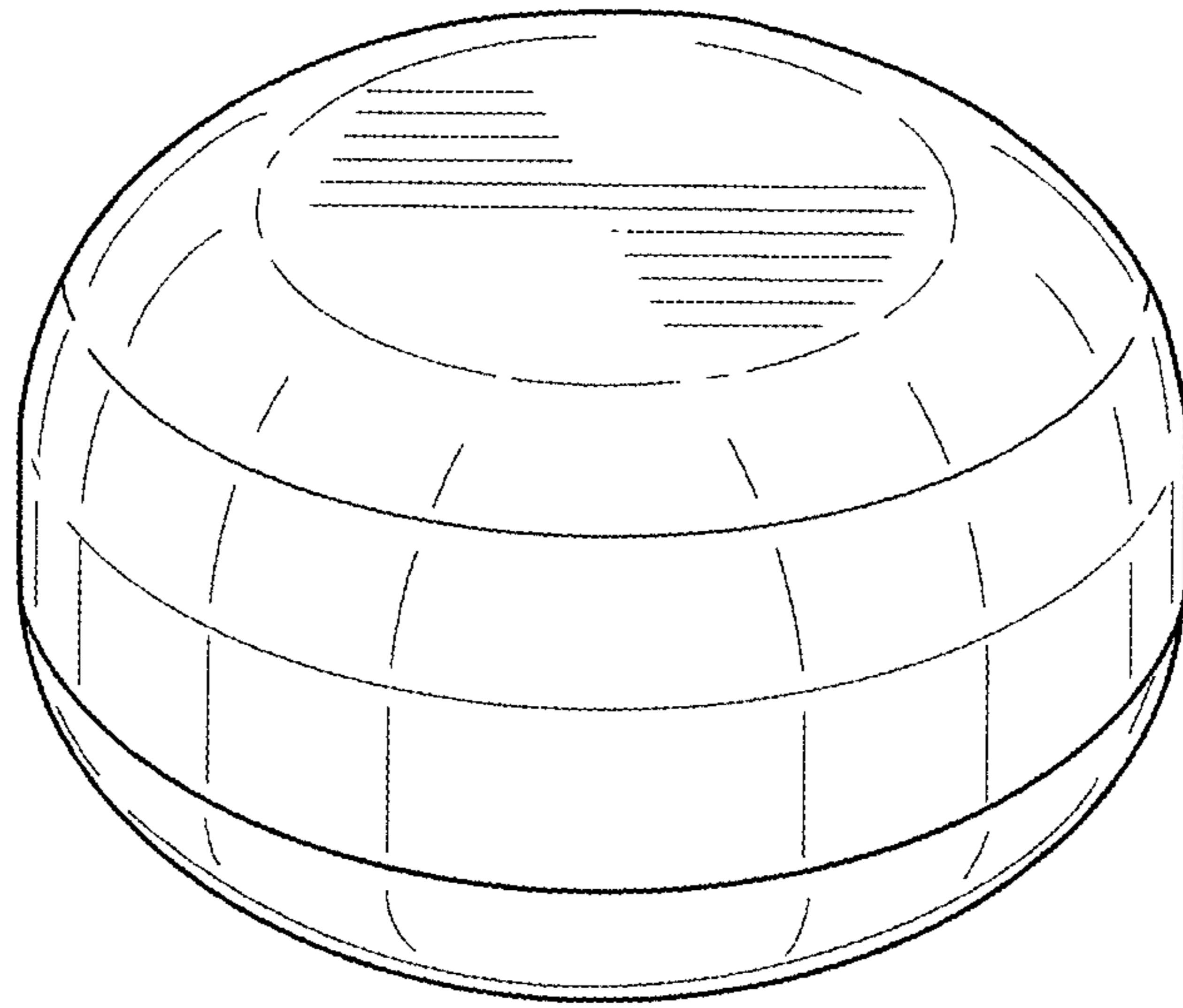


FIG. 1

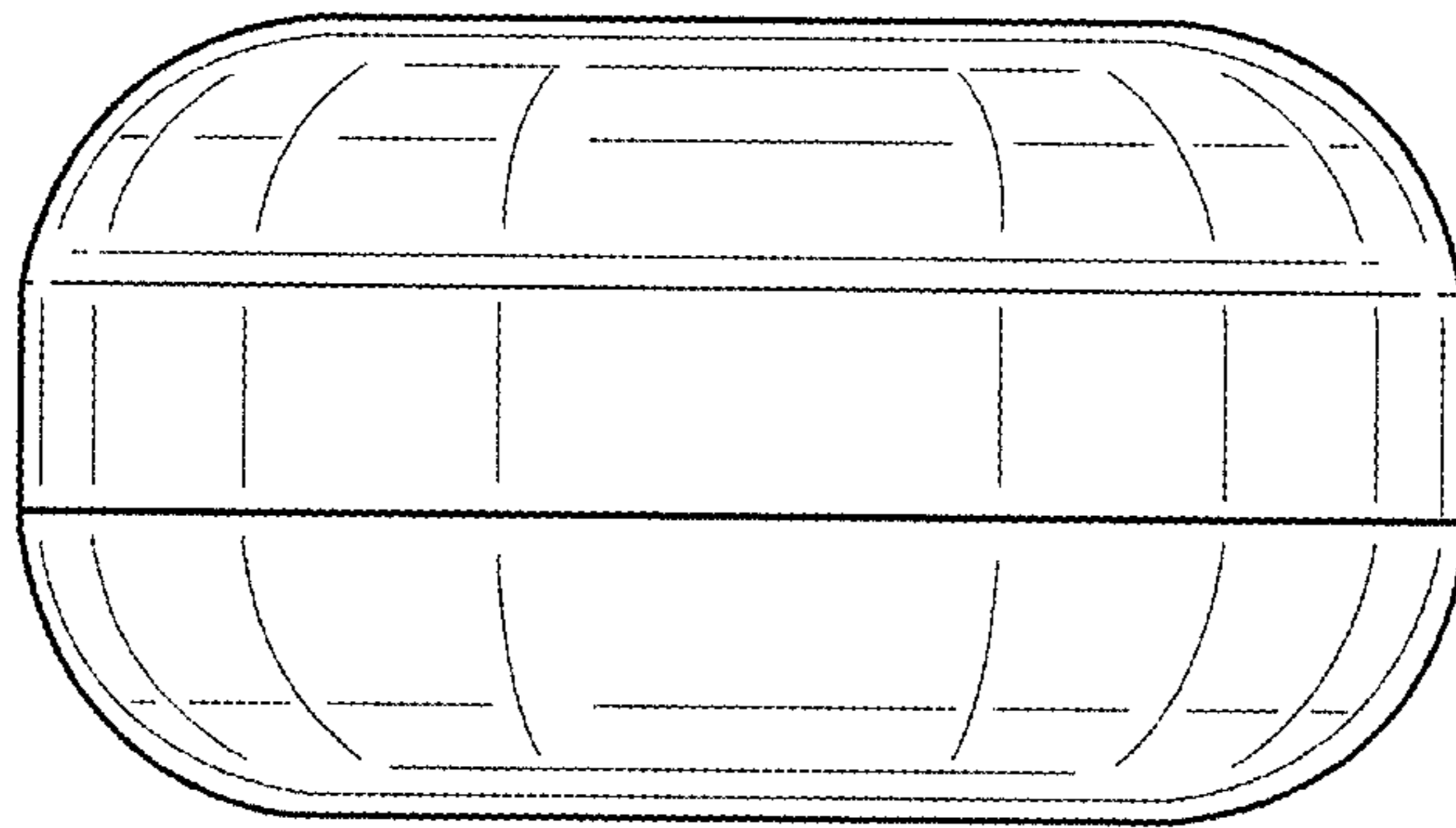


FIG. 2

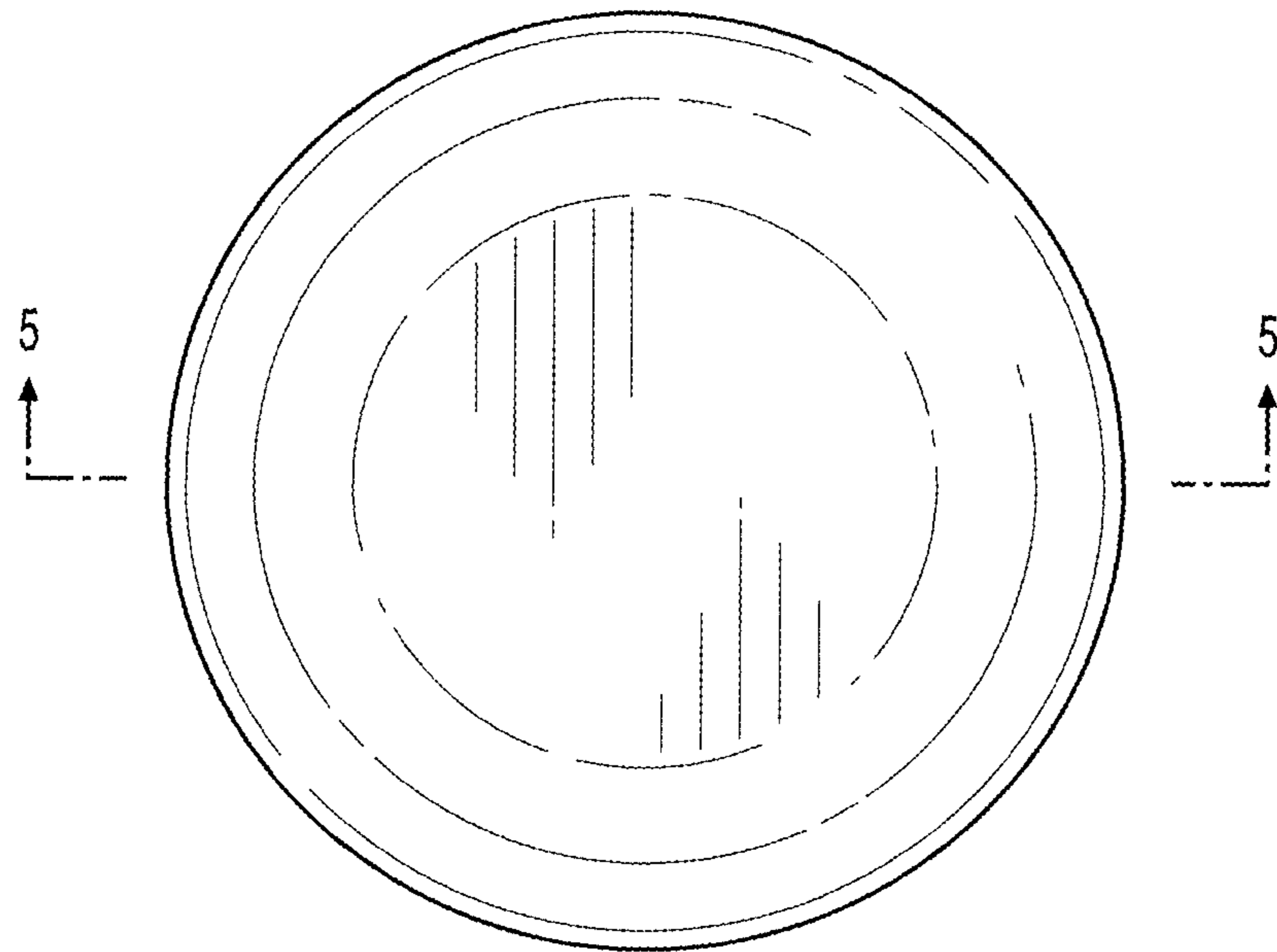


FIG. 3

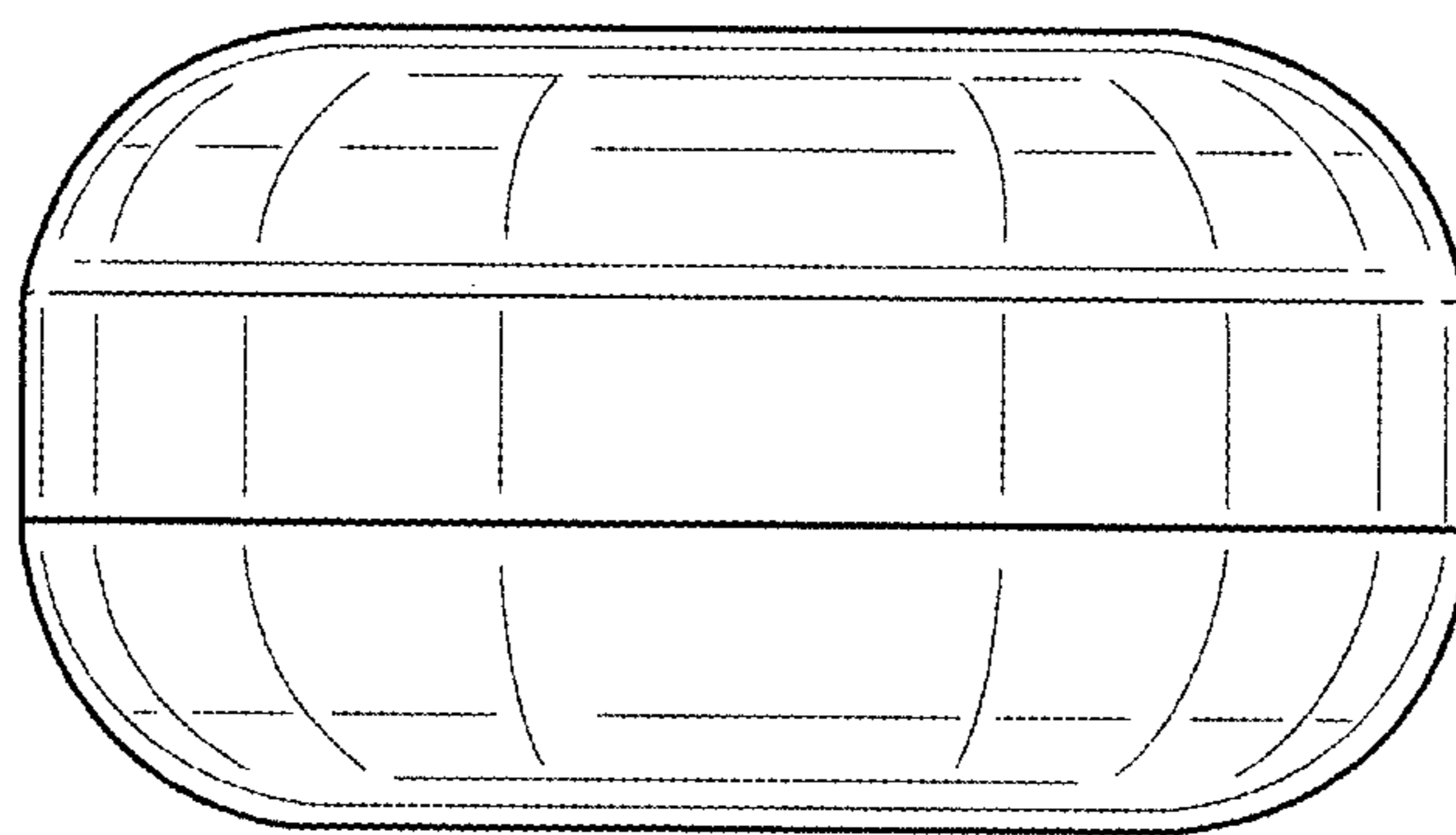


FIG. 4

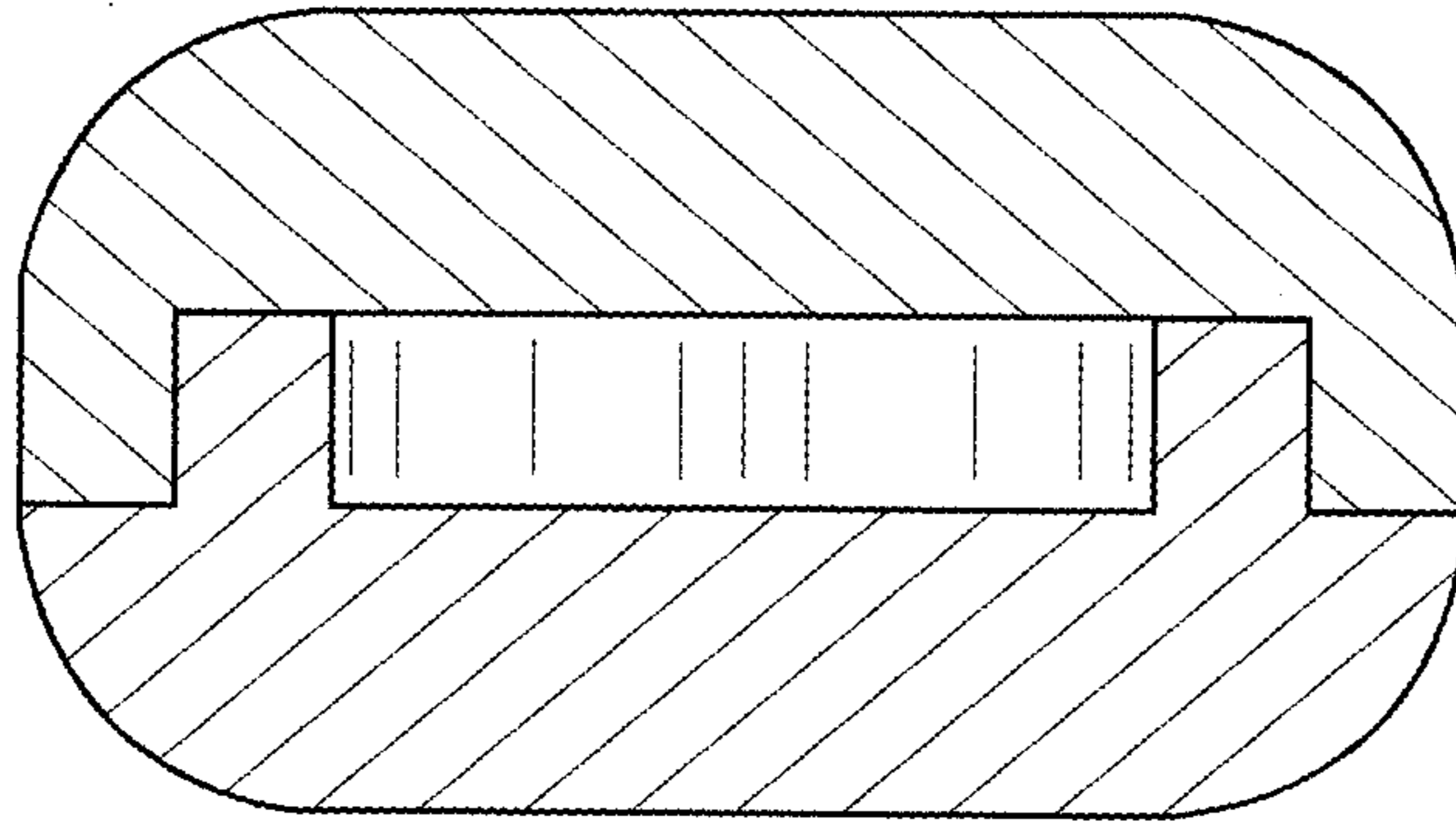


FIG. 5

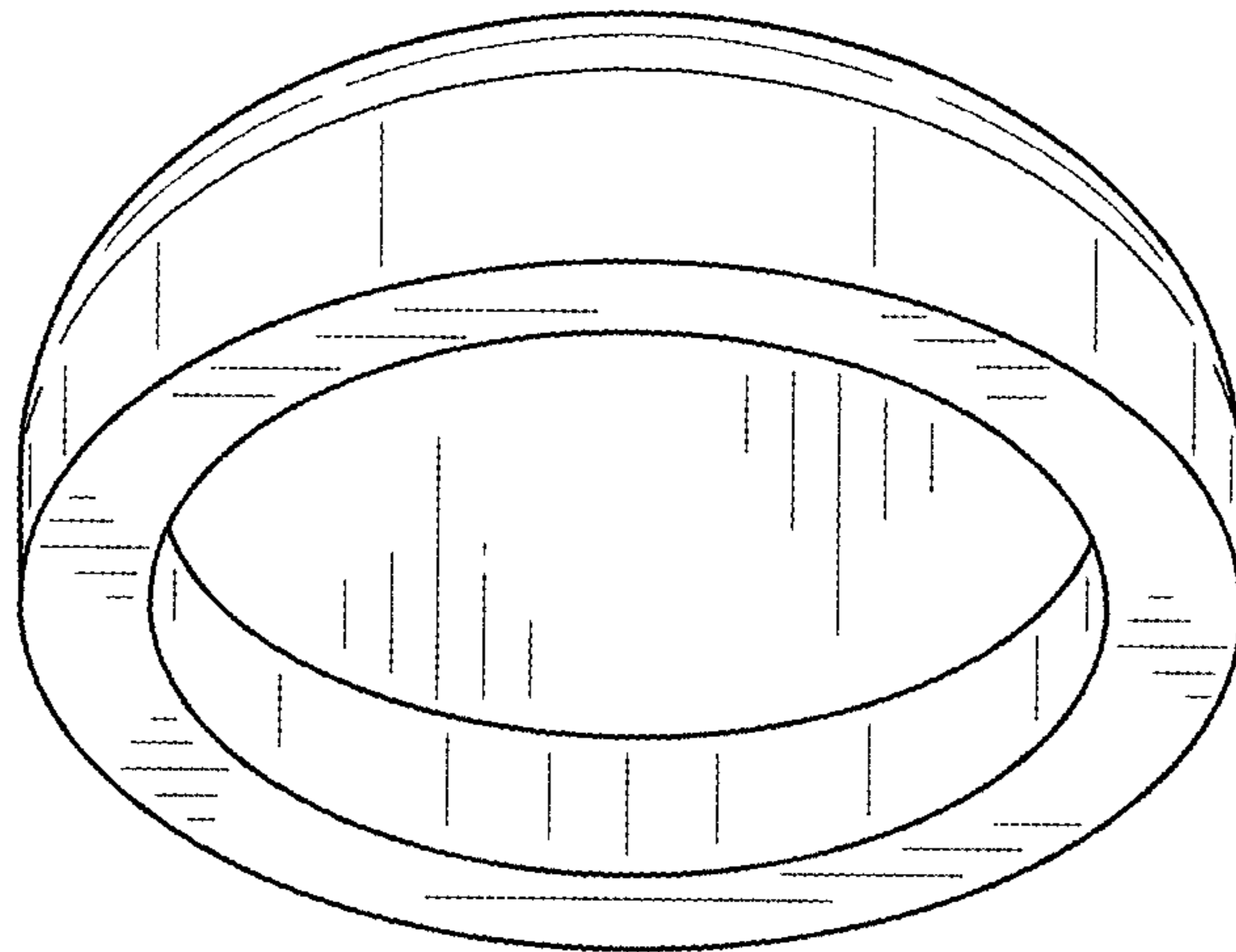


FIG. 6

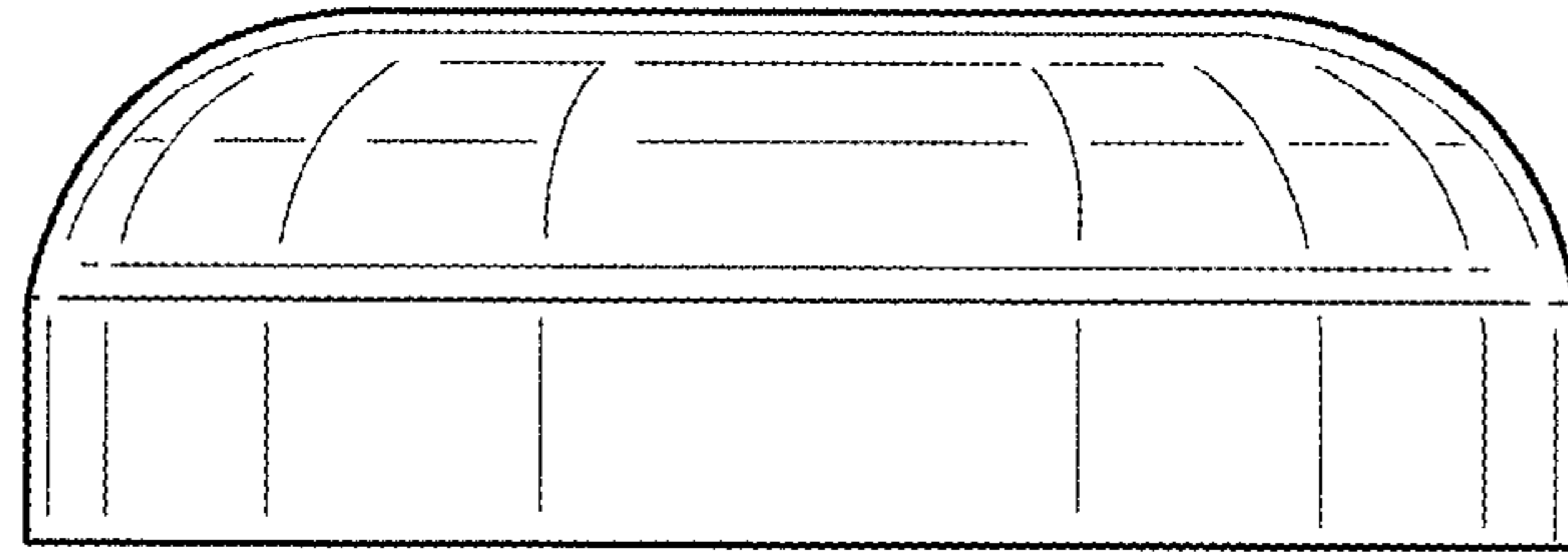


FIG. 7

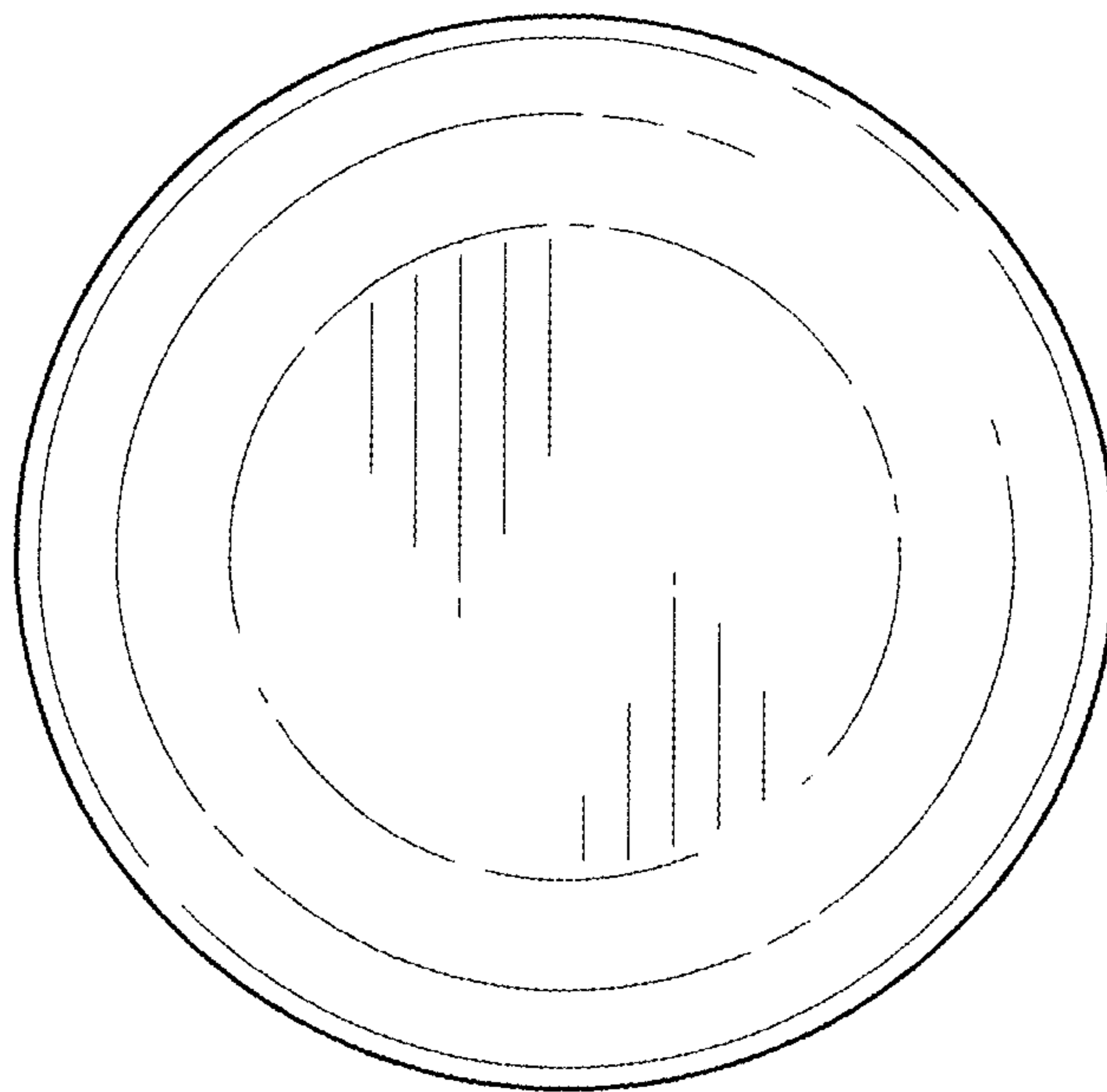


FIG. 8

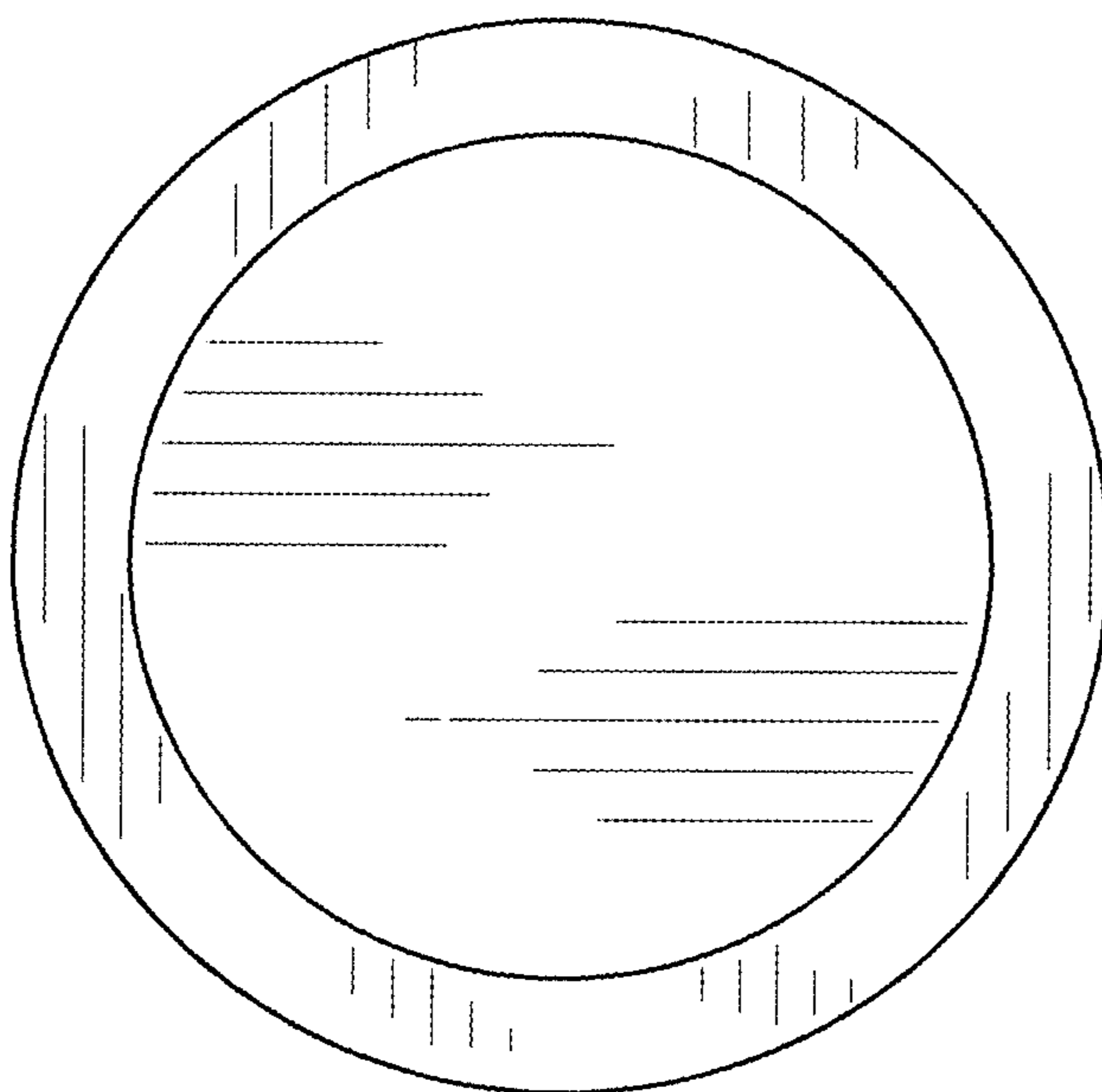


FIG. 9

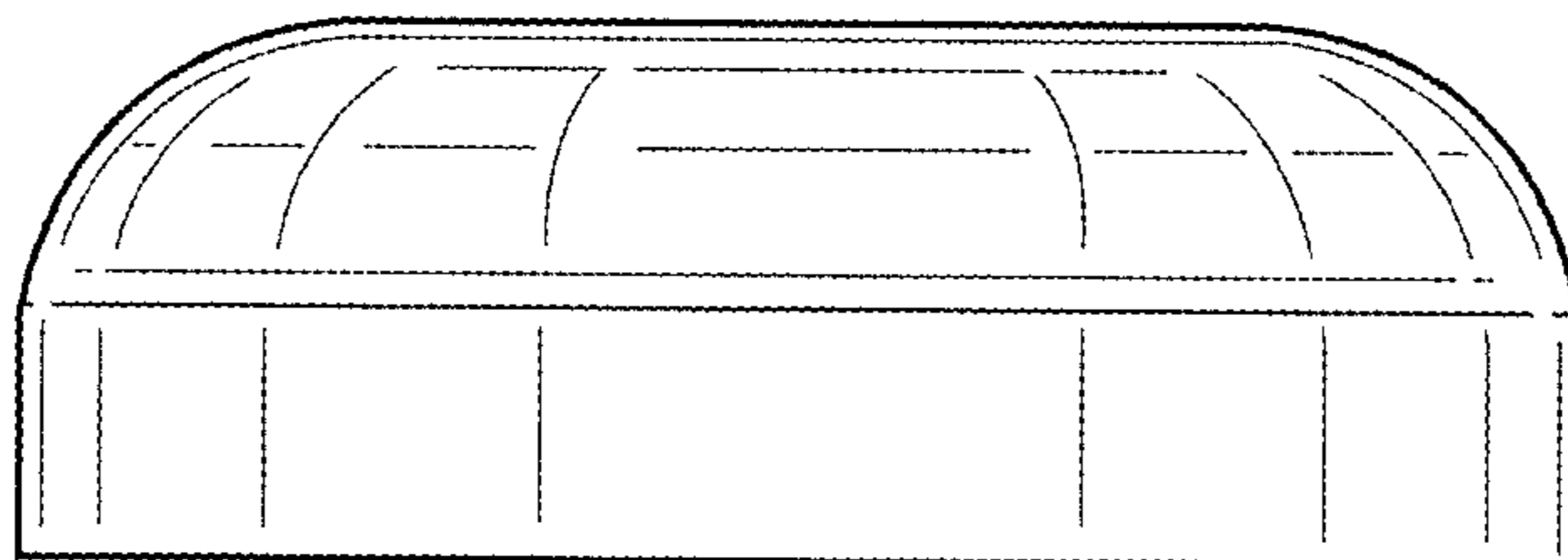


FIG. 10

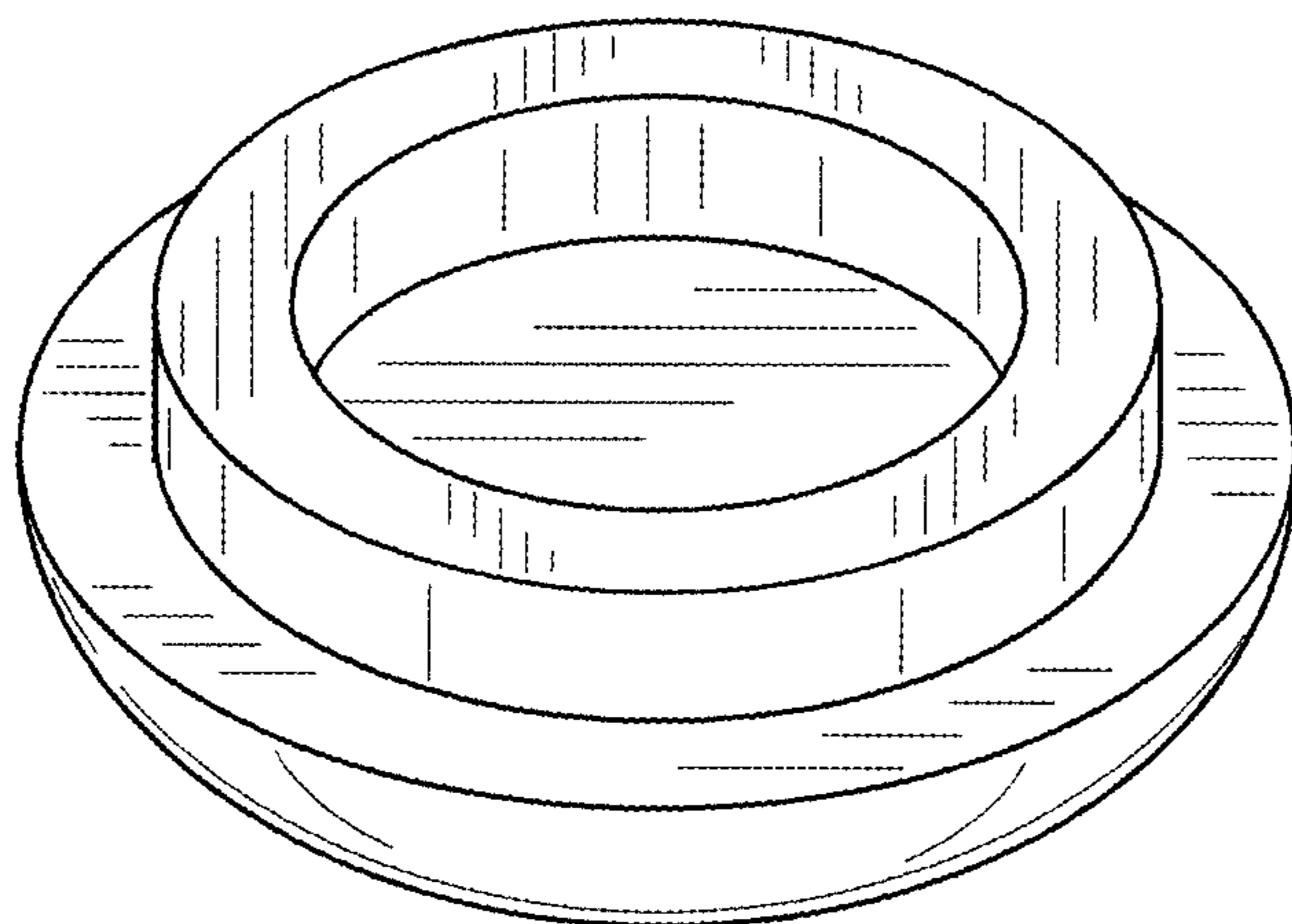


FIG. 11

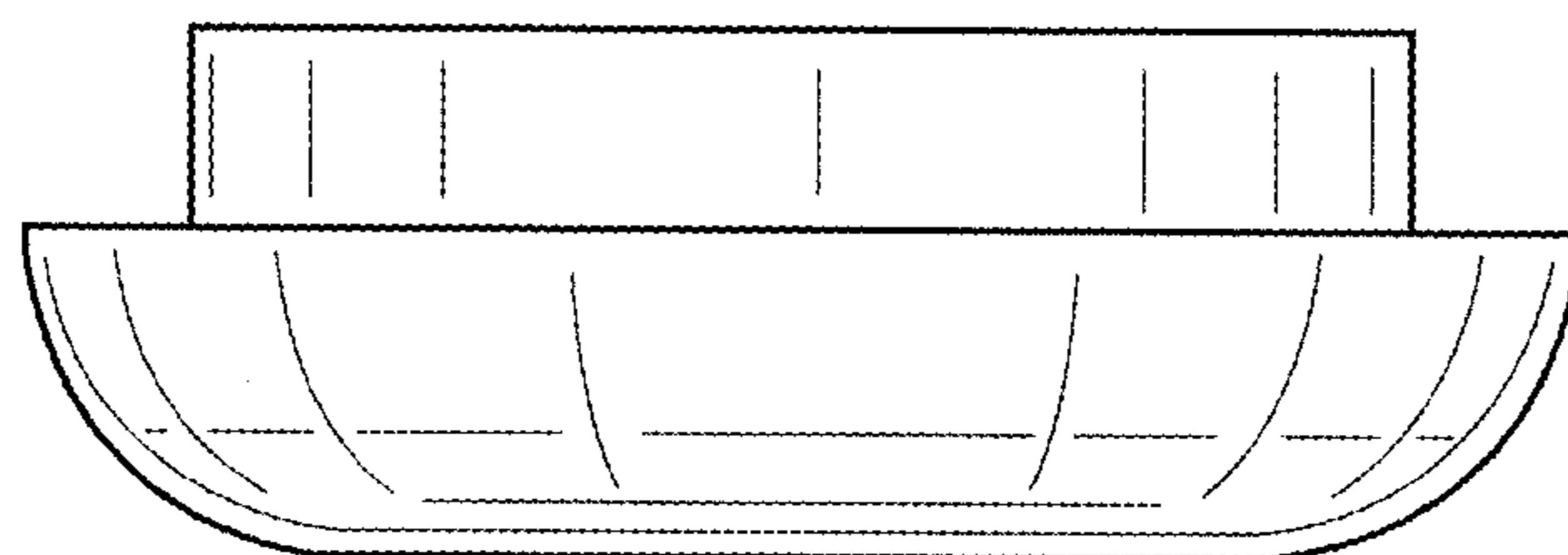


FIG. 12

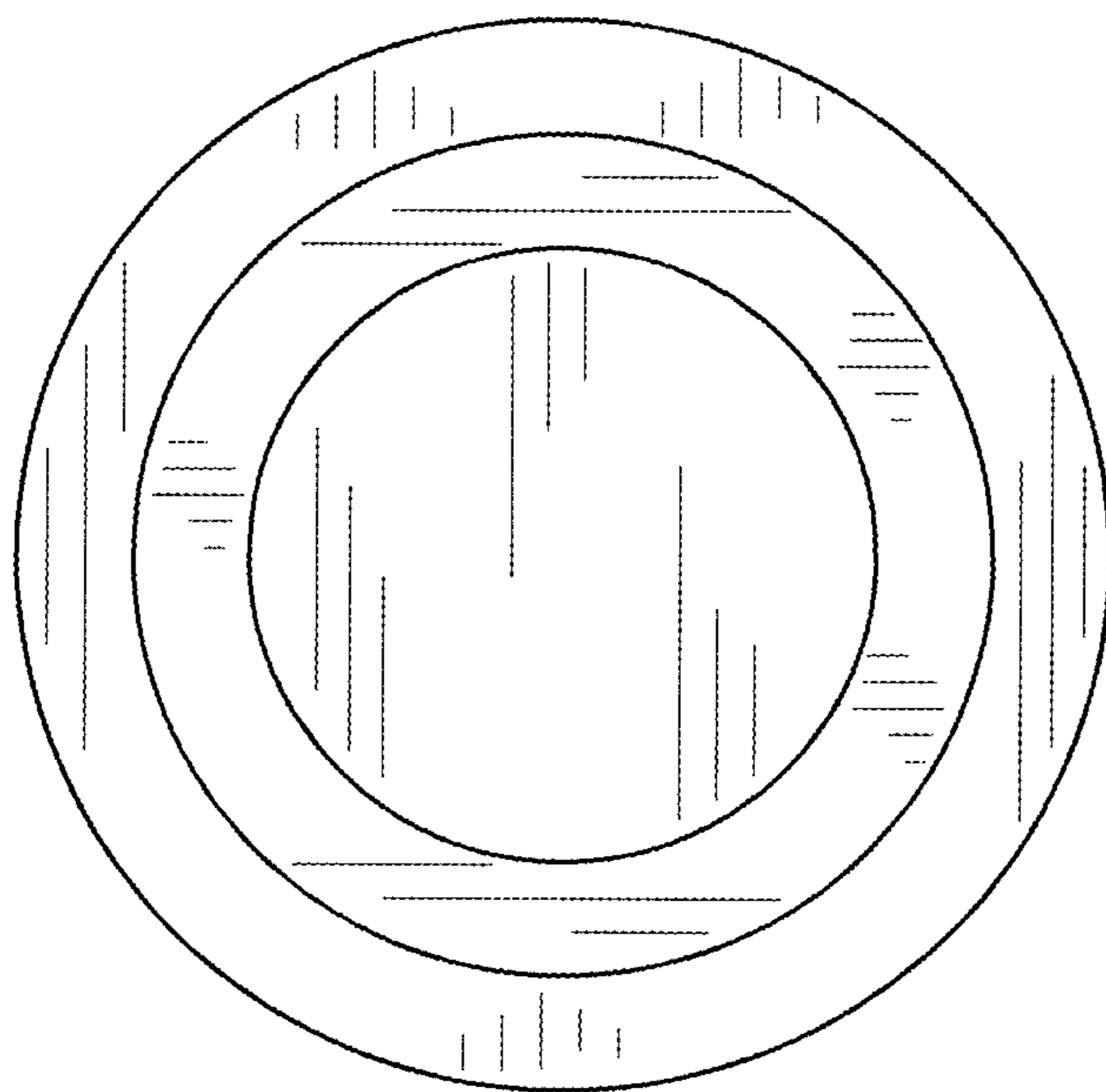


FIG. 13

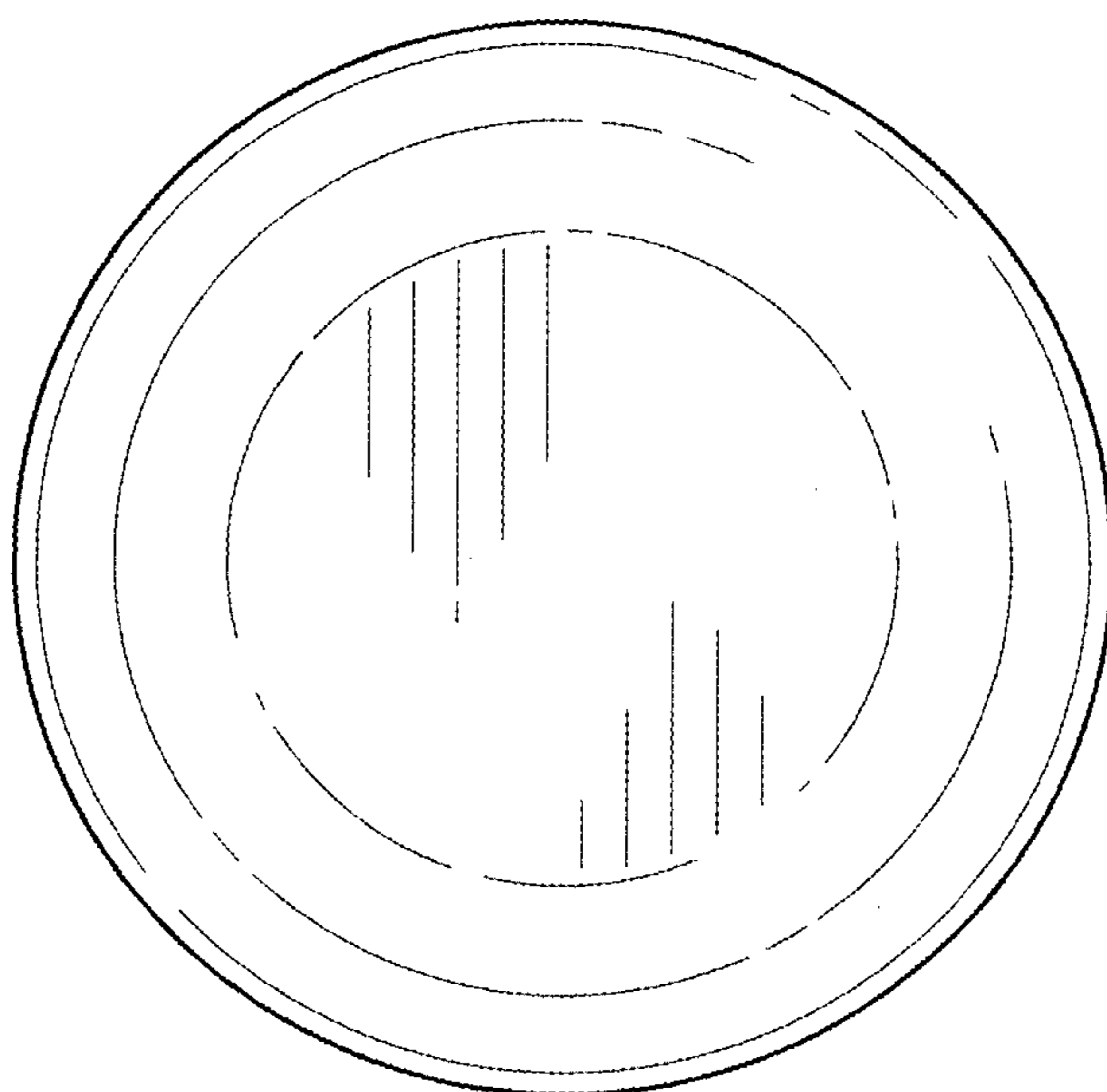


FIG. 14

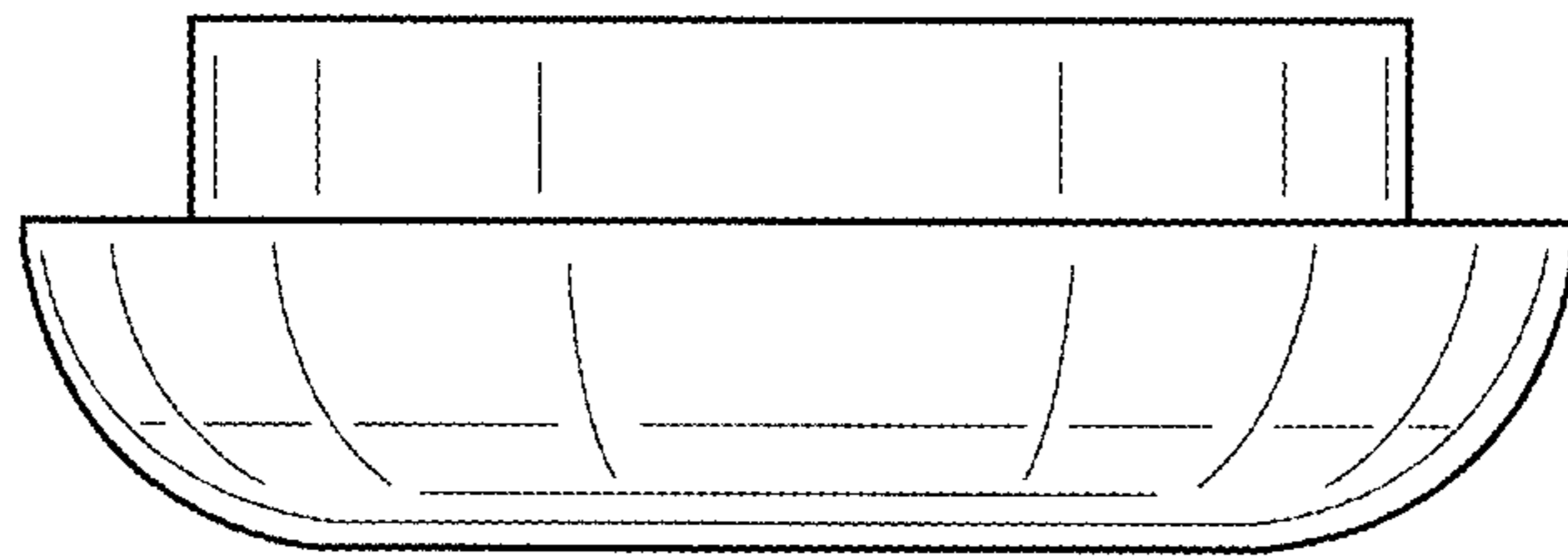


FIG. 15

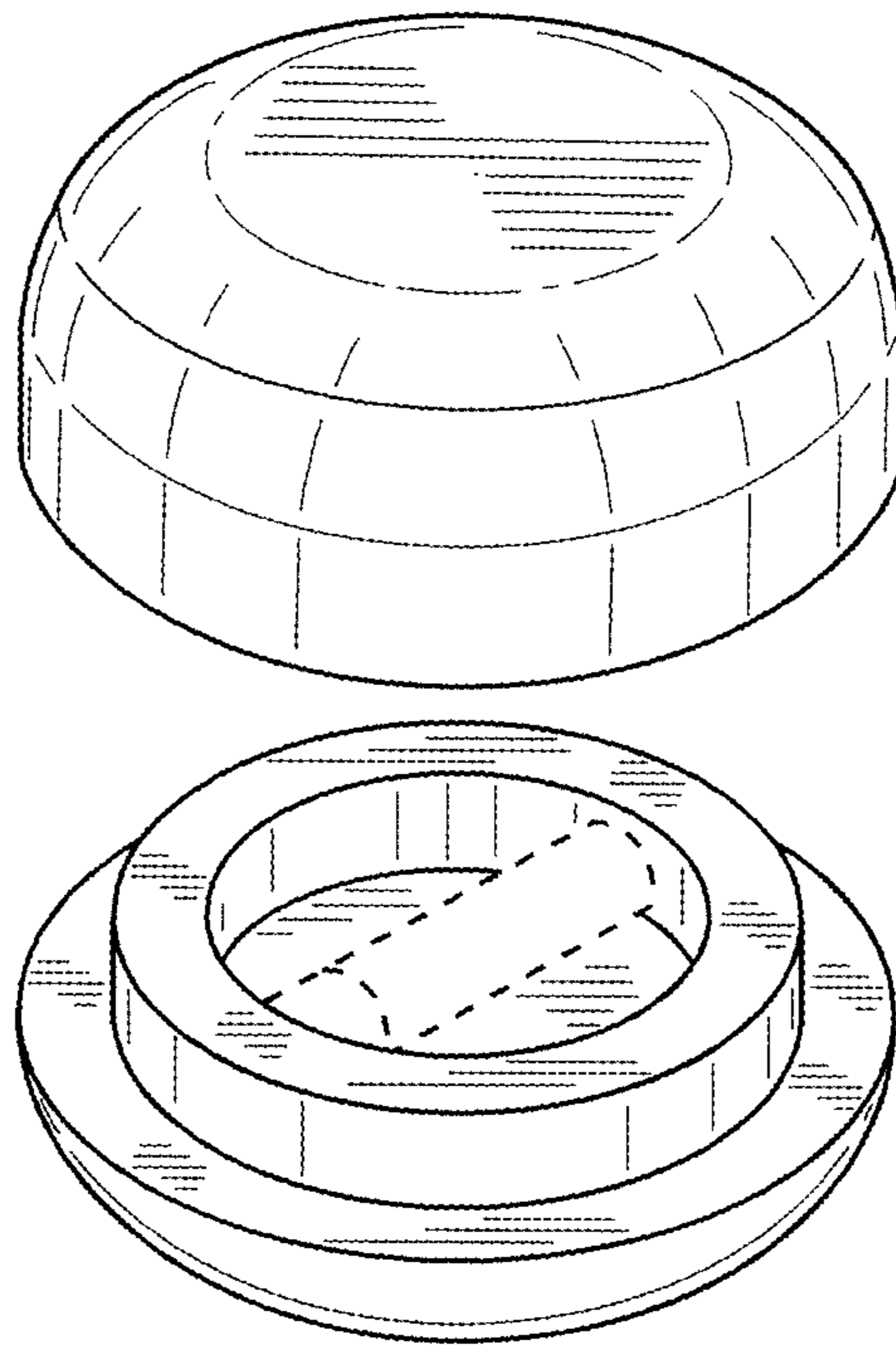


FIG. 16