



US00D807199S

(12) **United States Design Patent**
Dominguez

(10) **Patent No.:** **US D807,199 S**

(45) **Date of Patent:** **** Jan. 9, 2018**

(54) **WATCHCASE**

(71) Applicant: **HARRY WINSTON SA,**
Plan-les-Ouates (CH)

(72) Inventor: **Emmanuelle Dominguez,** Viry (FR)

(73) Assignee: **Harry Winston SA,** Plan-les-Ouates
(CH)

(**) Term: **15 Years**

(21) Appl. No.: **29/576,809**

(22) Filed: **Sep. 7, 2016**

(30) **Foreign Application Priority Data**

Mar. 7, 2016 (WO) DM/089 704

(51) **LOC (11) Cl.** **10-02**

(52) **U.S. Cl.**
USPC **D10/30**

(58) **Field of Classification Search**

USPC D10/1-39, 54, 65, 70, 122-132;
D11/224, 225

CPC G04B 17/00; G04B 17/02; G04B 17/005;
G04B 17/285; G04B 37/00; G04B 37/00;
G04B 37/0058; G04B 45/00; G04B
45/02; G04B 45/038; G04B 45/0069;
G04B 45/0076; G04B 29/00

See application file for complete search history.

(56) **References Cited**

U.S. PATENT DOCUMENTS

D104,044 S * 4/1937 Ornstein D10/33

D211,897 S * 8/1968 Zoltan D10/31
D362,189 S * 9/1995 Chen D10/33
D510,708 S * 10/2005 Ikeuchi D10/32
D533,790 S * 12/2006 Arabo D10/33
D539,179 S * 3/2007 Oas D10/70
D731,899 S * 6/2015 Graff D10/32

* cited by examiner

Primary Examiner — Sheryl Lane

Assistant Examiner — Calvin E Vansant

(74) *Attorney, Agent, or Firm* — Blank Rome LLP

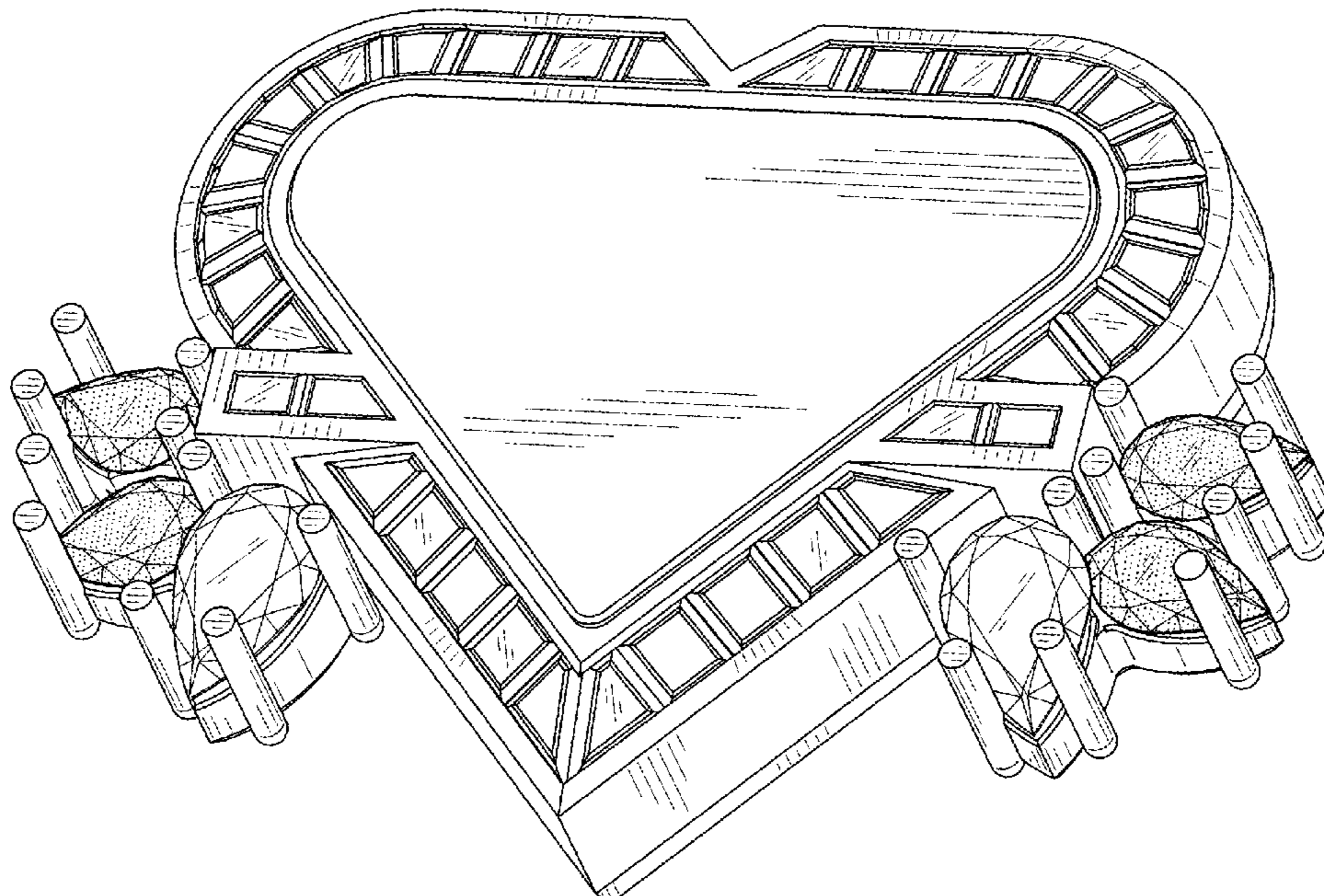
(57) **CLAIM**

The ornamental design for a watchcase, as shown and described.

DESCRIPTION

FIG. 1 is a front right perspective view of a watchcase showing my new design;
FIG. 2 is a front view thereof;
FIG. 3 is a rear view thereof;
FIG. 4 is a left side view thereof;
FIG. 5 is a right side view thereof;
FIG. 6 is a top view thereof;
FIG. 7 is a bottom view thereof; and,
FIG. 8 is a rear left perspective view thereof.
In the drawings, the stippled shading represents surfaces having the contrast in appearance shown.

1 Claim, 5 Drawing Sheets



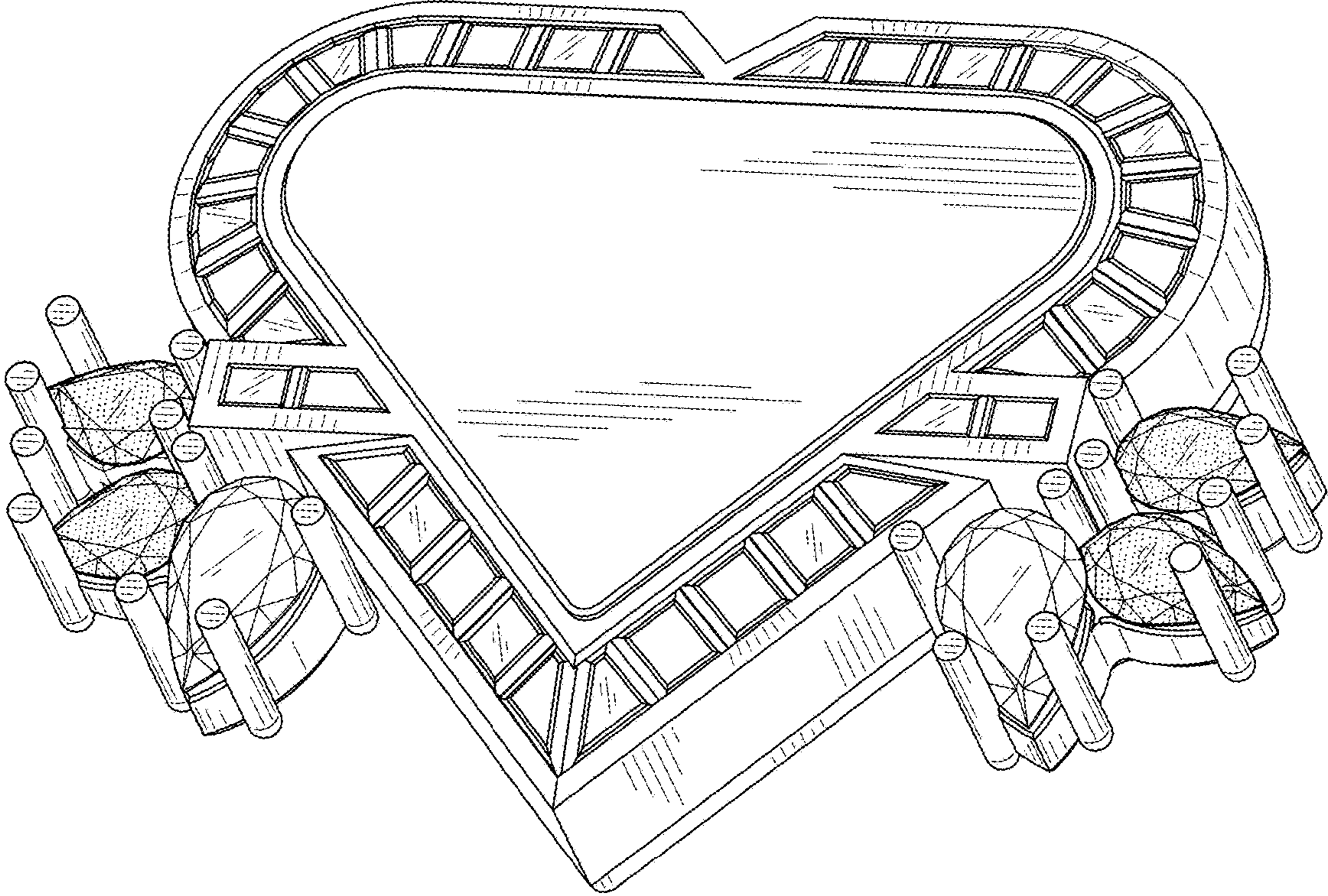


FIG. 1

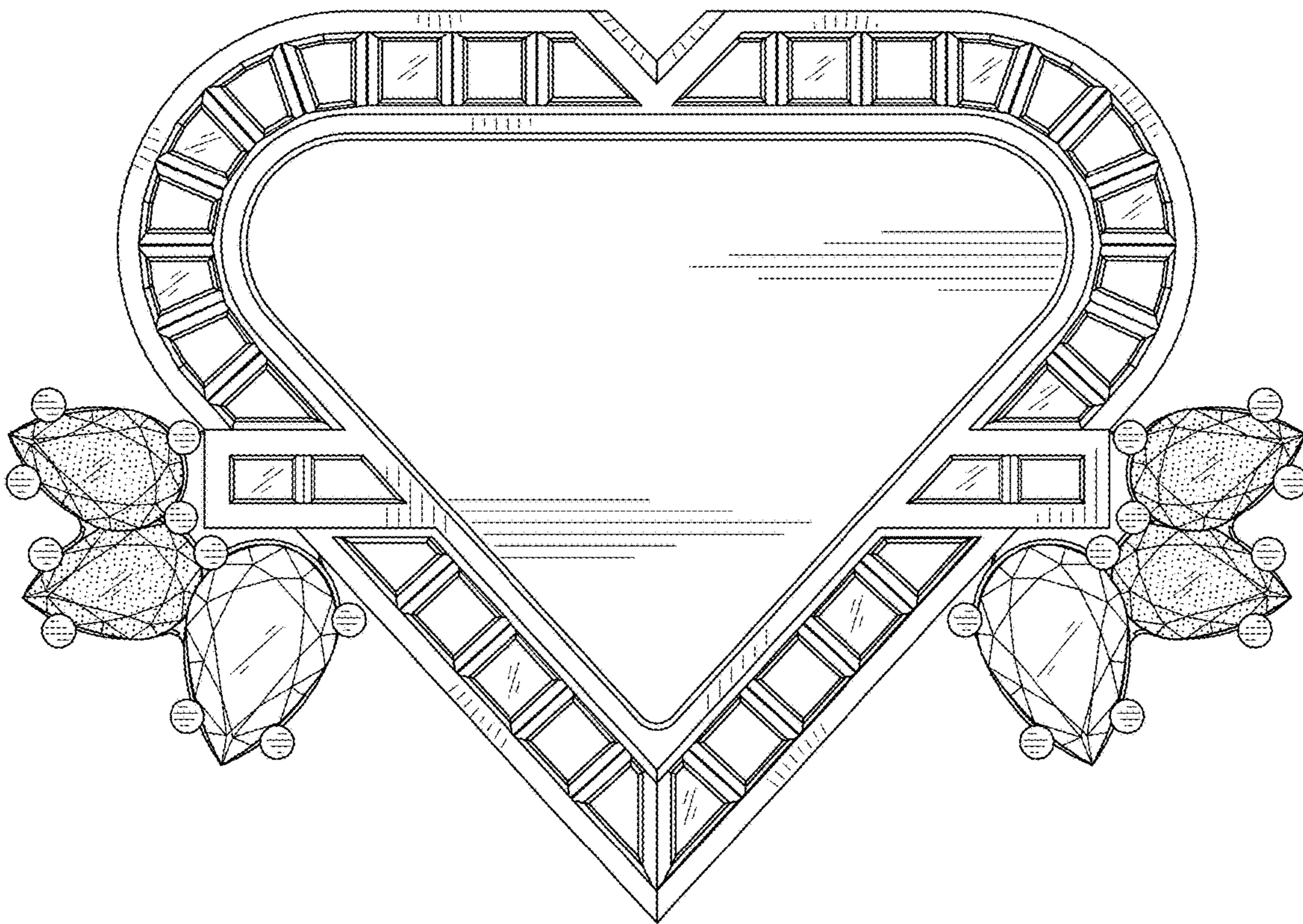


FIG. 2

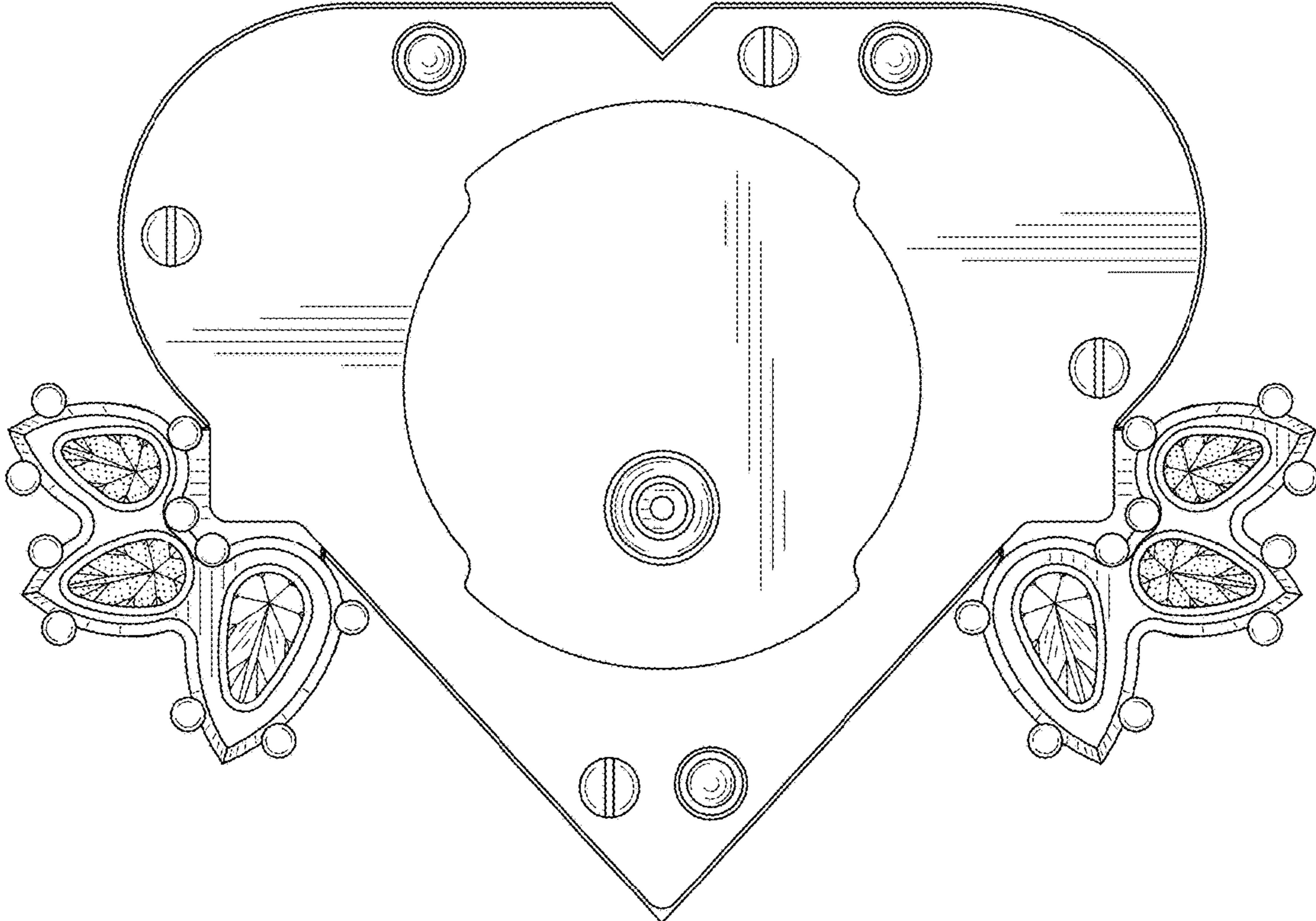


FIG. 3

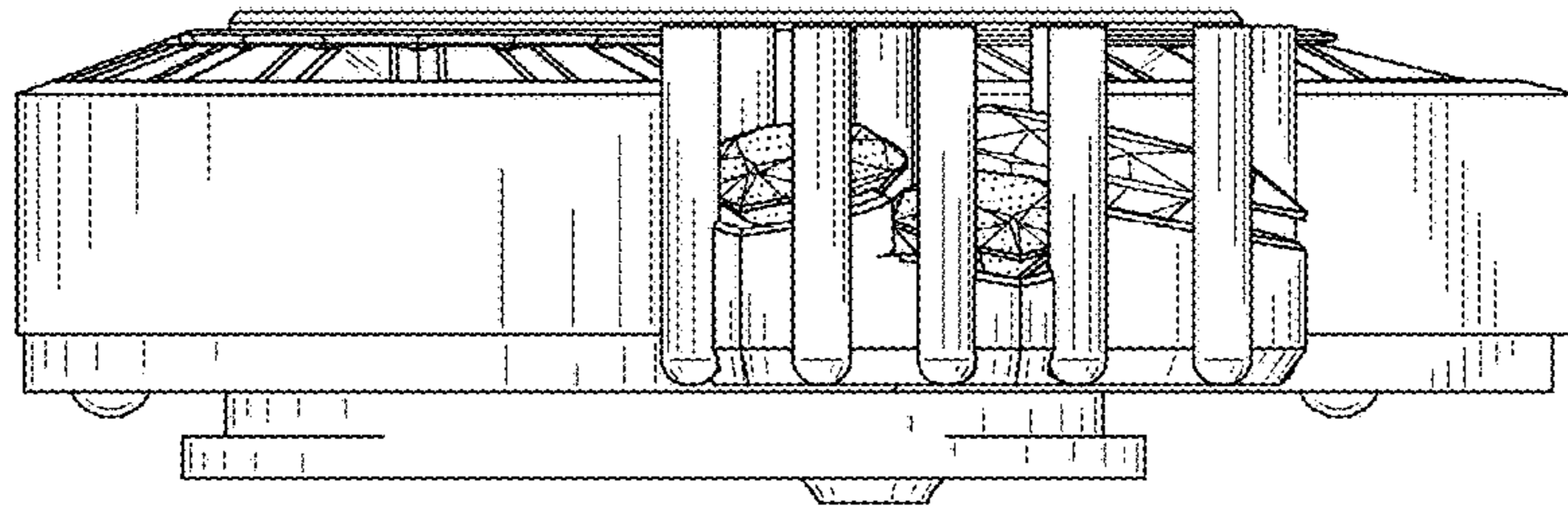


FIG. 4

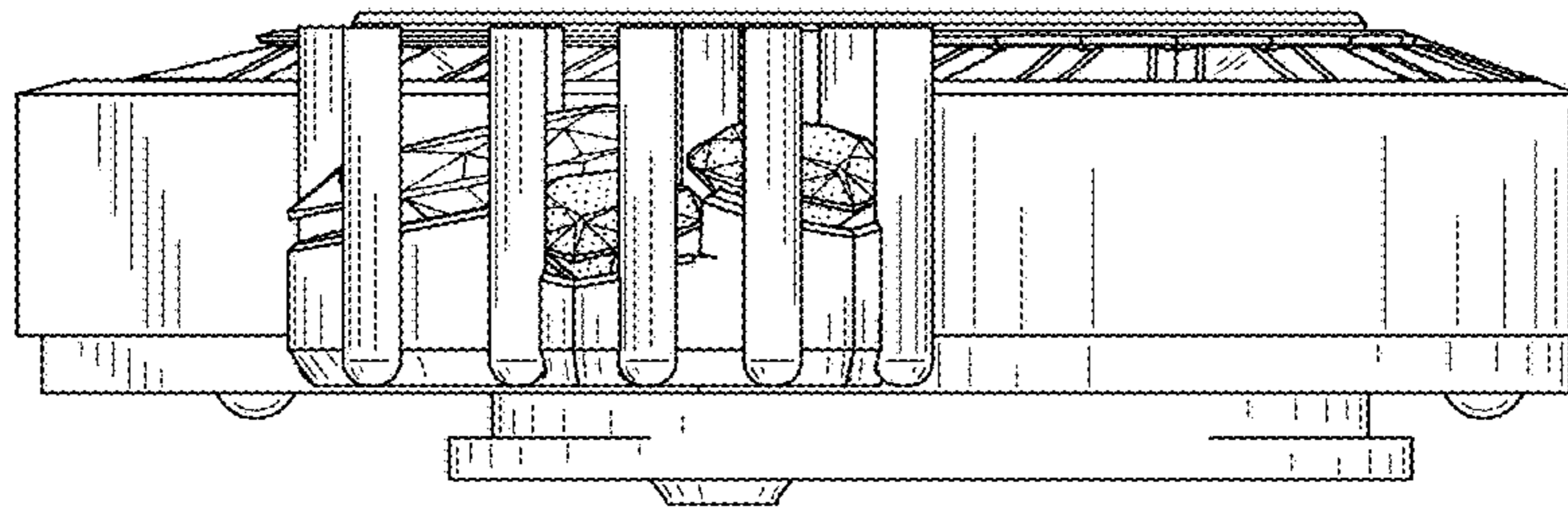


FIG. 5

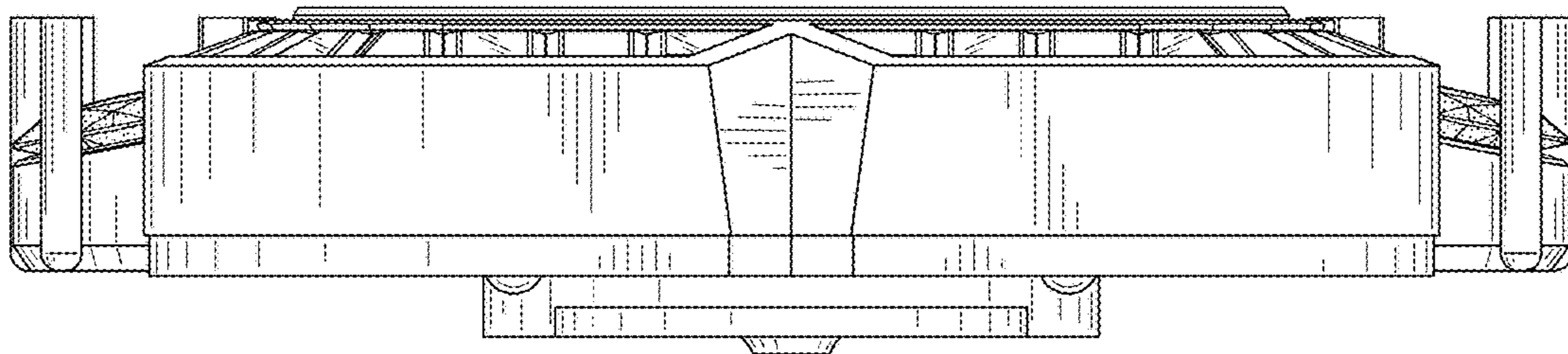


FIG. 6

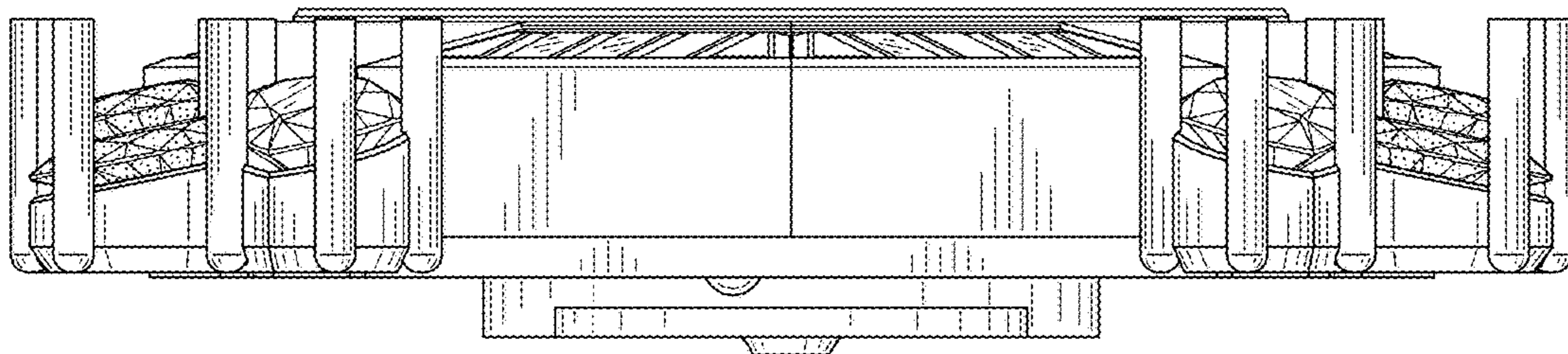


FIG. 7

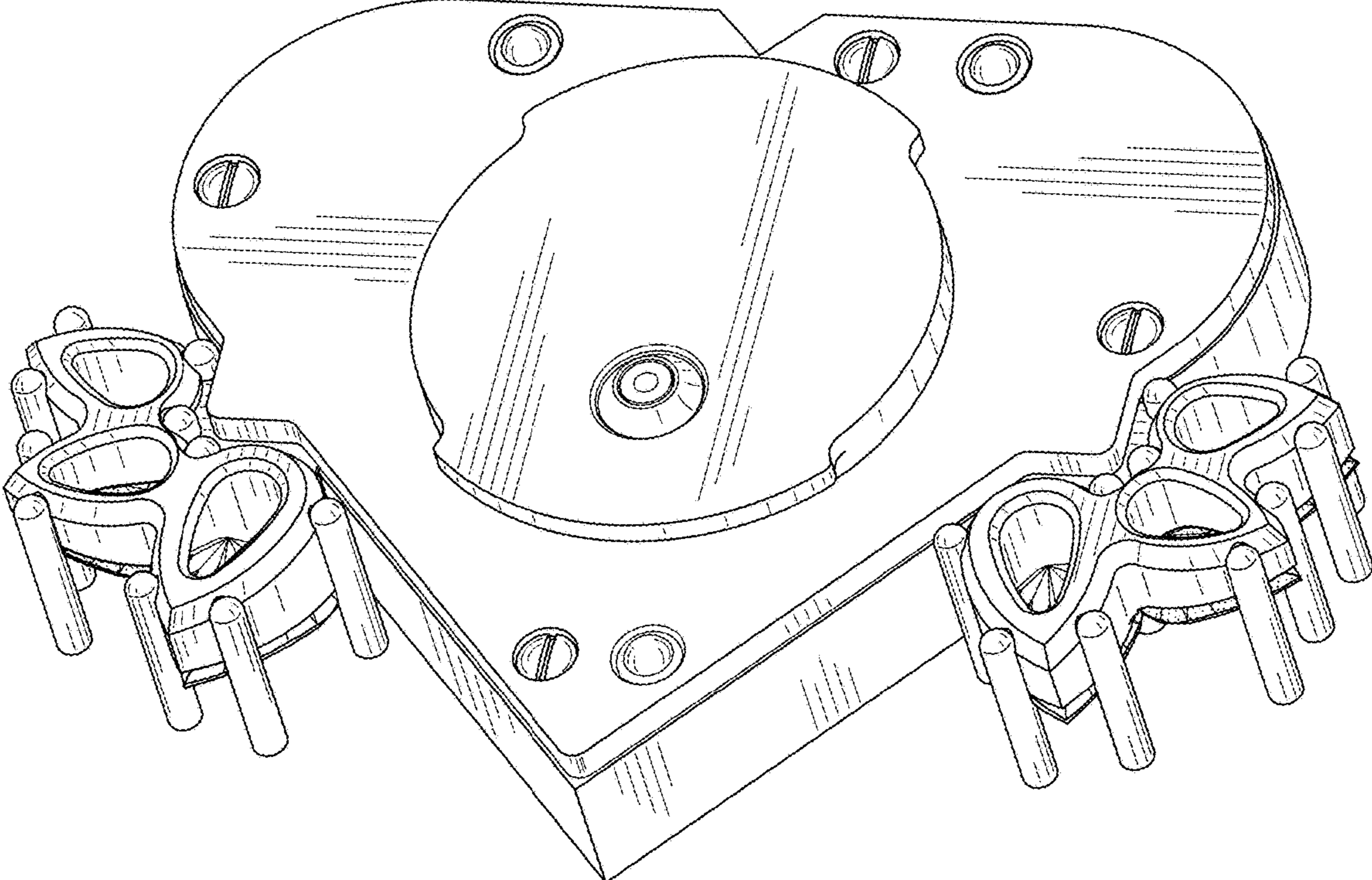


FIG. 8