



US00D807196S

(12) **United States Design Patent**
Pires et al.

(10) **Patent No.:** **US D807,196 S**
(45) **Date of Patent:** **** Jan. 9, 2018**

(54) **COSMETIC CASE**

(71) Applicant: **Zen Design Solutions Limited**,
Kowloon (HK)
(72) Inventors: **Leo Clifford Pires**, Basking Ridge, NJ
(US); **Smita Srivastava**, New Delhi
(IN); **Rahul Bose**, New Delhi (IN)
(73) Assignee: **ZEN DESIGN SOLUTIONS**
LIMITED, Kowloon, Hong Kong (CN)

(**) Term: **15 Years**

(21) Appl. No.: **29/580,182**

(22) Filed: **Oct. 6, 2016**

(51) **LOC (11) Cl.** **09-03**

(52) **U.S. Cl.**
USPC **D9/697**

(58) **Field of Classification Search**
USPC D9/702-714, 695-699, 435, 440, 521,
D9/454, 544, 723-724, 499, 449,
D9/727-728, 442, 447, 504; 222/92, 96,
222/107, 527-529, 215, 491, 206,
222/212-213, 251, 95, 536; 206/438,
206/822; 220/DIG. 7, 669; 215/321,
215/381, 382, 316, 380; 141/114-115;
D28/91.1, 76-78, 82, 88; D4/114;
D3/202-205; D7/601-602
CPC B65D 35/00; B65D 35/28; B65D 35/02;
B65D 35/04; B65D 35/08; B65D 35/36;
B65D 35/38; B65D 1/32; B65D 1/00;
A45D 40/00; A45D 40/24; A45D 40/12;
A45D 40/18; A45D 34/04; A45D 34/041;
A45D 34/06

See application file for complete search history.

(56) **References Cited**

U.S. PATENT DOCUMENTS

D82,640 S *	11/1930	Lynch	D9/695
D100,686 S *	8/1936	De Vaultcheir	D9/697
D212,412 S *	10/1968	Hanlon	D9/697
D488,059 S *	4/2004	Mounier	D9/697
D572,601 S *	7/2008	Chang	D9/697
D626,860 S *	11/2010	Oates	D9/699
D693,237 S *	11/2013	Bates	D9/697

* cited by examiner

Primary Examiner — Abraham Bahta

(74) *Attorney, Agent, or Firm* — Patterson + Sheridan,
LLP

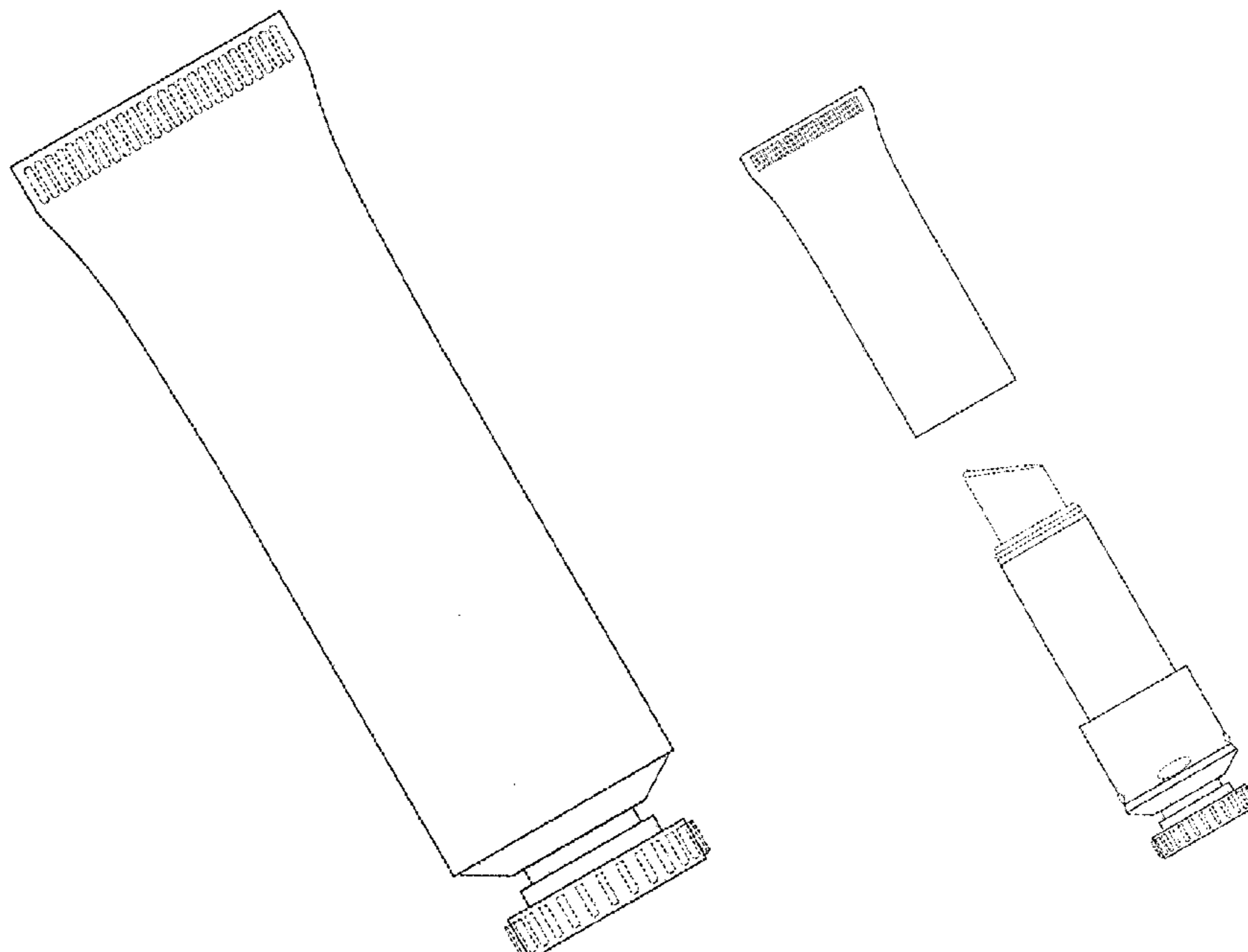
(57) **CLAIM**

The ornamental design for a cosmetic case, as shown and described.

DESCRIPTION

FIG. 1 is an isometric view of a cosmetic case showing our new design;
FIG. 2 is a front view of the cosmetic case of FIG. 1, a rear view of the cosmetic case being same as the front view;
FIG. 3 is a left side view of the cosmetic case of FIG. 1; a right side view of the cosmetic case being same as the left side view;
FIG. 4 is a bottom view of the cosmetic case of FIG. 1;
FIG. 5 is a top view of the cosmetic case of FIG. 1; and,
FIG. 6 is an isometric view of the cosmetic case of FIG. 1 in open state.
The broken line showing of portions of the cosmetic case is included for the purpose of illustrating environmental structure and forms no part of the claimed design.

1 Claim, 5 Drawing Sheets



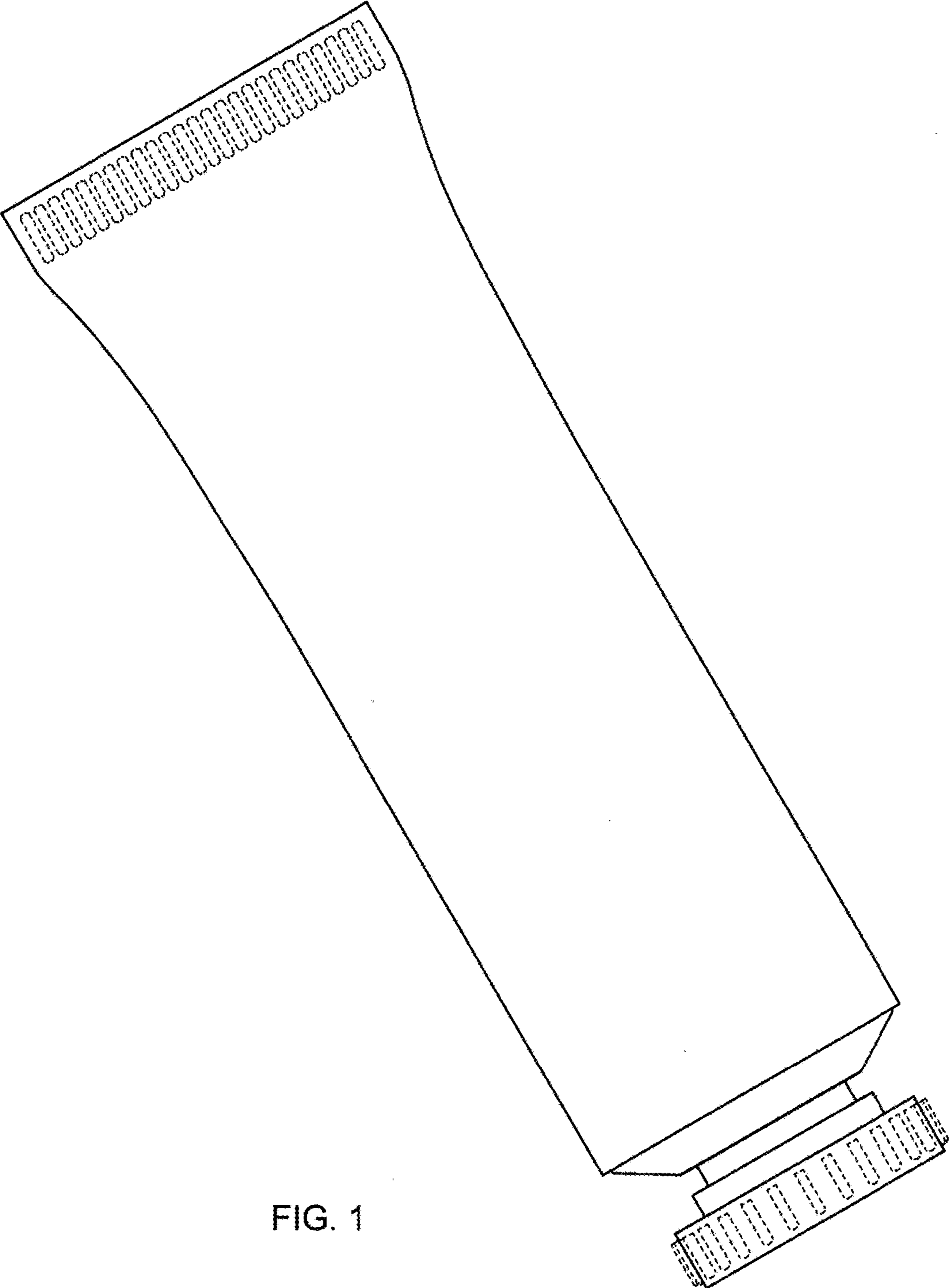


FIG. 1

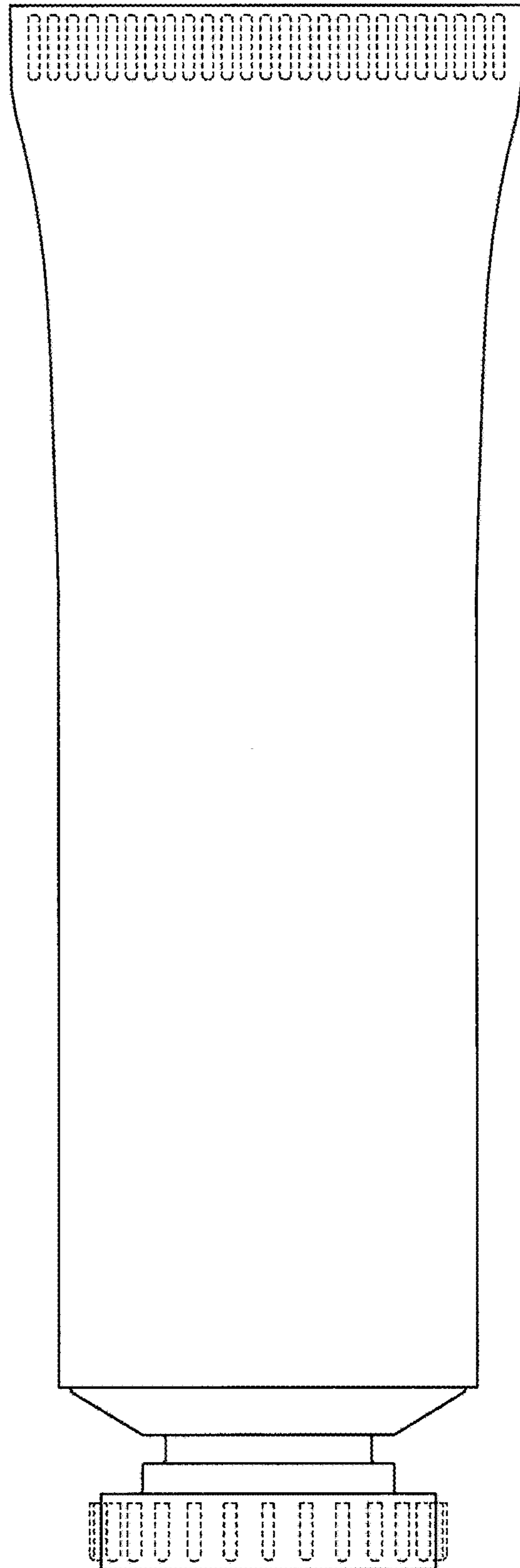


FIG. 2

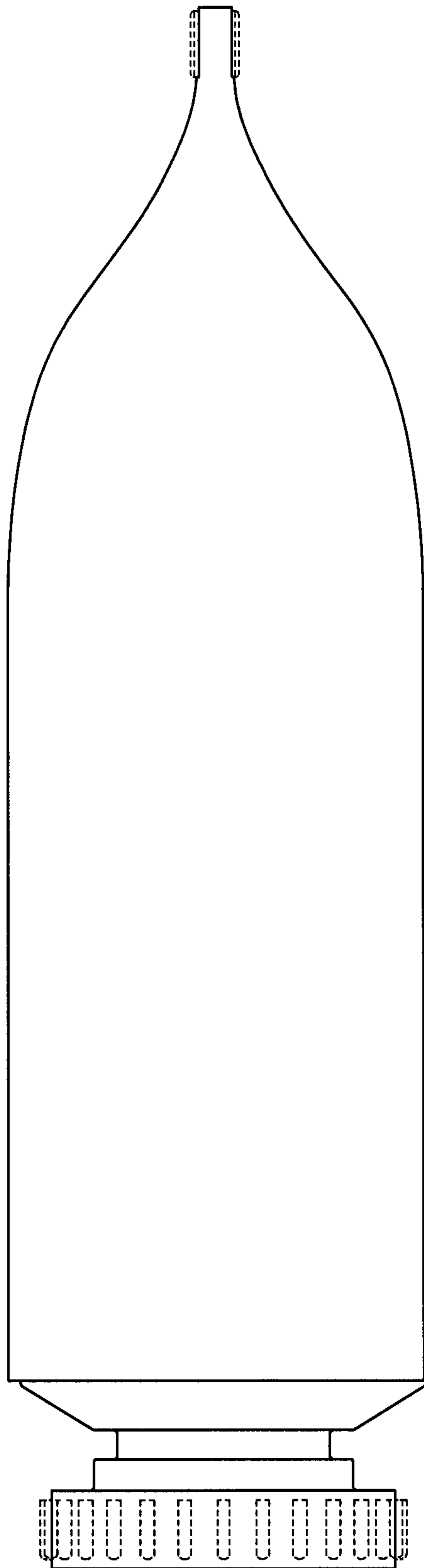


FIG. 3

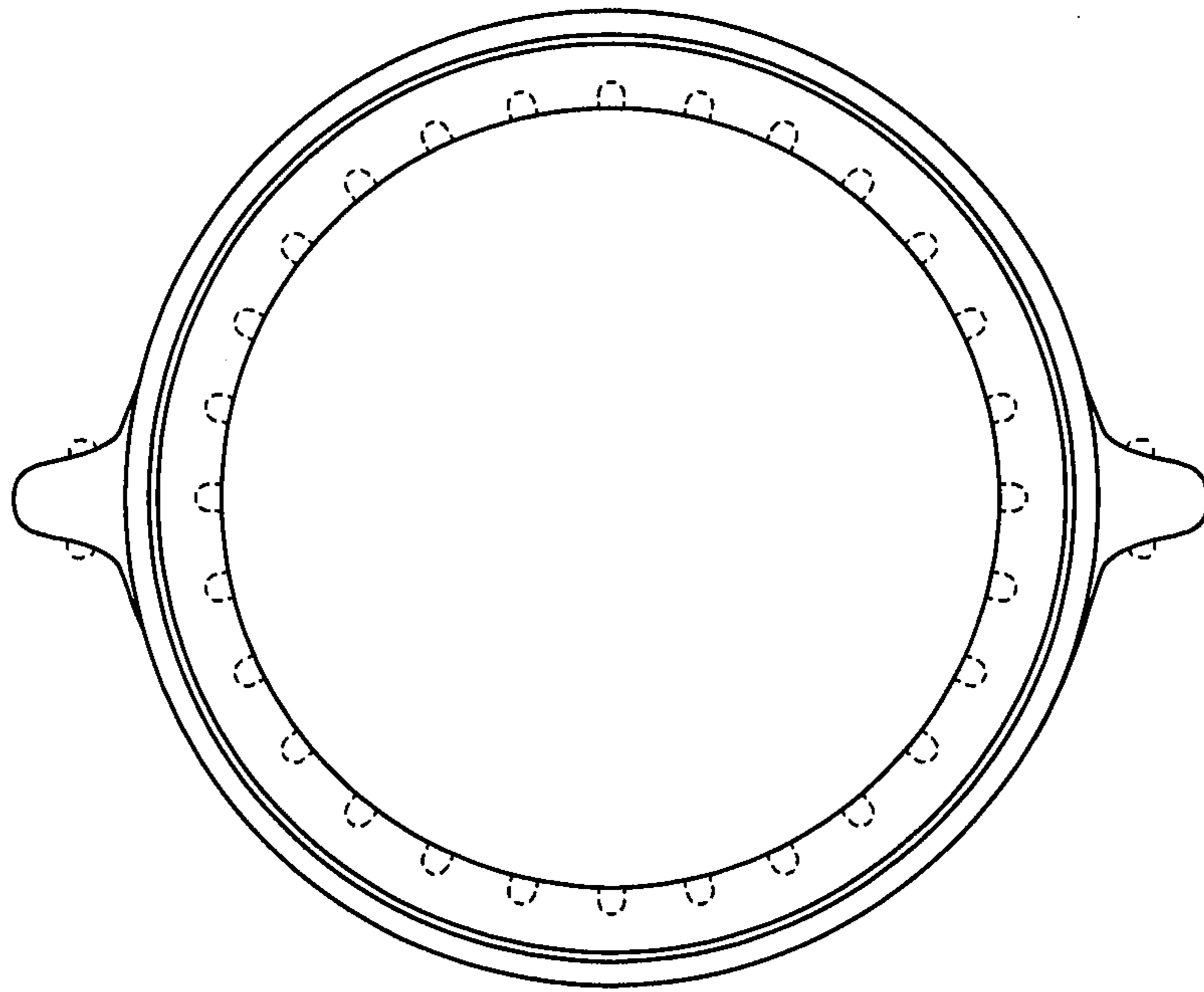


FIG. 4

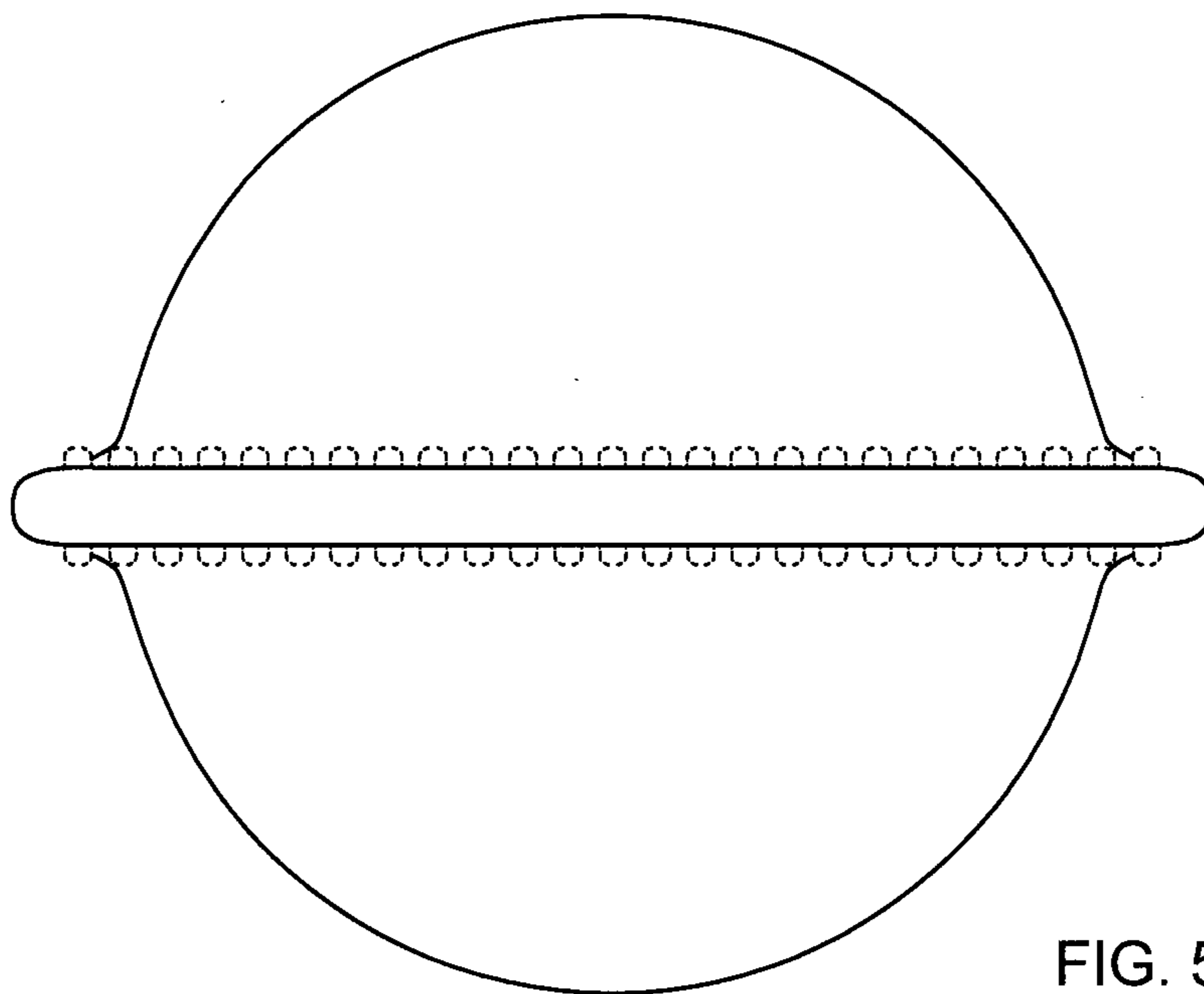


FIG. 5

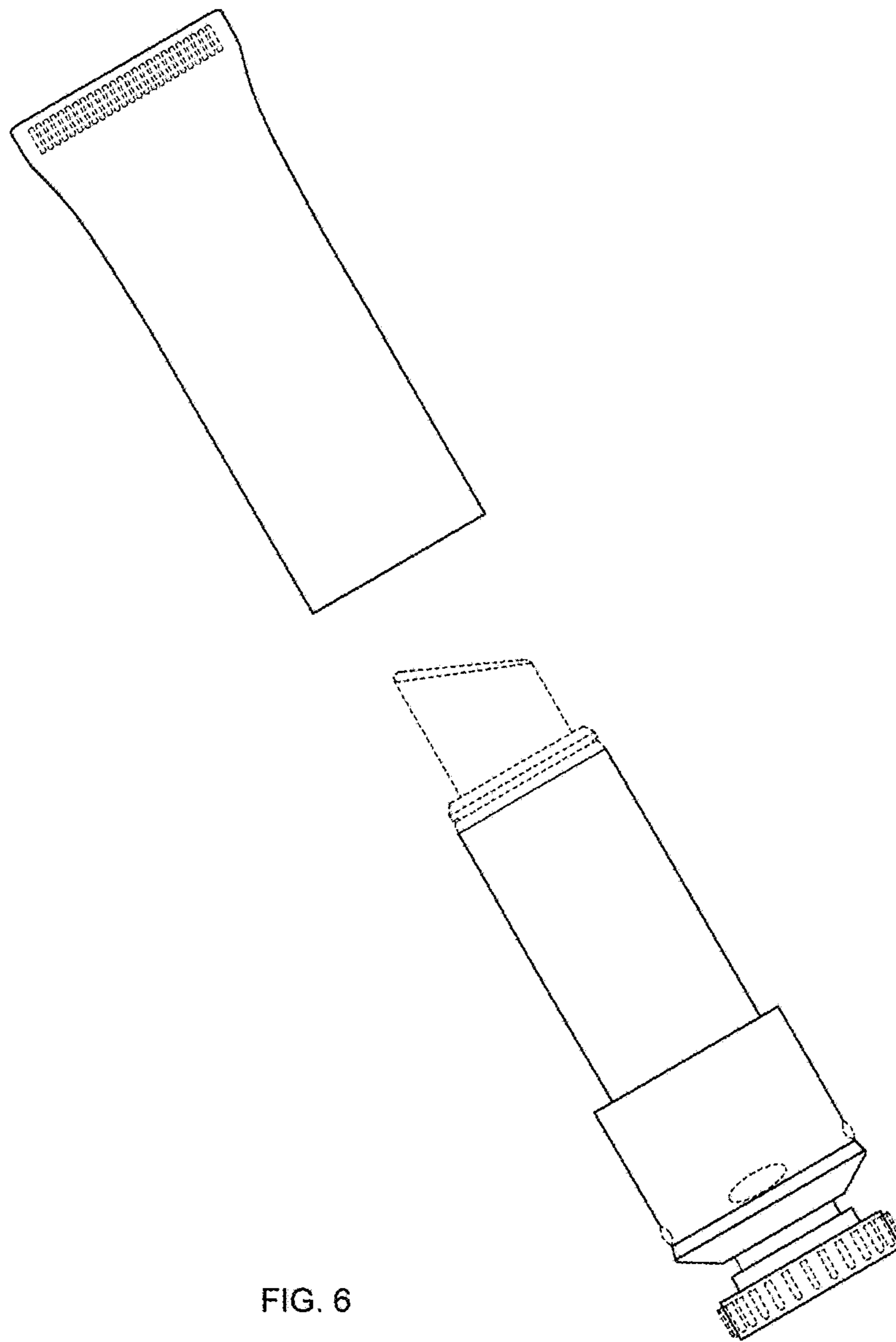


FIG. 6