



US00D807195S

(12) **United States Design Patent**
Richmond

(10) **Patent No.:** **US D807,195 S**
(45) **Date of Patent:** **** Jan. 9, 2018**

(54) **BOTTLE WITH CAP**
(71) Applicant: **The Boots Company plc**, Nottingham
(GB)
(72) Inventor: **David Anthony Richmond**, London
(GB)
(73) Assignee: **THE BOOTS COMPANY PLC**,
Nottingham (GB)

D336,046 S * 6/1993 Donoghue D9/547
D338,828 S * 8/1993 Segati D9/447
D346,548 S * 5/1994 Maddox D9/658
D354,686 S * 1/1995 Ricci D9/544
D358,329 S * 5/1995 Dickie D9/443
D386,089 S * 11/1997 Rosen D9/542
D418,746 S * 1/2000 Featherston D9/682
D426,466 S * 6/2000 Nevins D9/529

(Continued)

(**) Term: **15 Years**

CN 3025142 * 5/1994
CN 000352109-0002 * 8/2005

(Continued)

(21) Appl. No.: **29/574,107**

(22) Filed: **Aug. 11, 2016**

Primary Examiner — Catherine A Tuttle

(74) *Attorney, Agent, or Firm* — Finnegan, Henderson,
Farabow, Garrett & Dunner, LLP

(30) **Foreign Application Priority Data**

Apr. 27, 2016 (EM) 003096619-0006
Apr. 27, 2016 (EM) 003096619-0007

(51) **LOC (11) Cl.** **09-01**

(52) **U.S. Cl.**
USPC **D9/682**

(58) **Field of Classification Search**
USPC D9/600–681, 682–694, 719, 723–729,
D9/516–575, 434–436, 446–450; D6/542
CPC ... B65D 1/00–1/08; B65D 1/32; B65D 1/323;
B65D 1/326; B65D 1/40; B65D 1/46;
B65D 11/04; B65D 11/16; B65D
2501/00; B65D 2501/0009; B65D
2501/0063; B65D 2501/0072; B65D
2501/0081; B05B 11/00–11/3098; A45D
34/00; A45D 34/02; A45D 2034/007;
A45D 2200/00–2200/058

See application file for complete search history.

(56) **References Cited**

U.S. PATENT DOCUMENTS

D239,698 S * 4/1976 Utley D9/558
D296,526 S * 7/1988 von Schuckmann D9/448

FOREIGN PATENT DOCUMENTS

CN 3025142 * 5/1994
CN 000352109-0002 * 8/2005

(Continued)

(57) **CLAIM**

The ornamental design for a bottle with cap, as shown and described.

DESCRIPTION

The patent or application contains at least one drawing executed in color. Copies of this patent or patent application with color drawings(s) will be provided by the Office upon request and payment of the necessary fee.

FIG. 1 is a front top perspective view of a bottle with cap showing my new design;

FIG. 2 is a front elevation view thereof;

FIG. 3 is a rear elevation view thereof;

FIG. 4 is a right side view thereof;

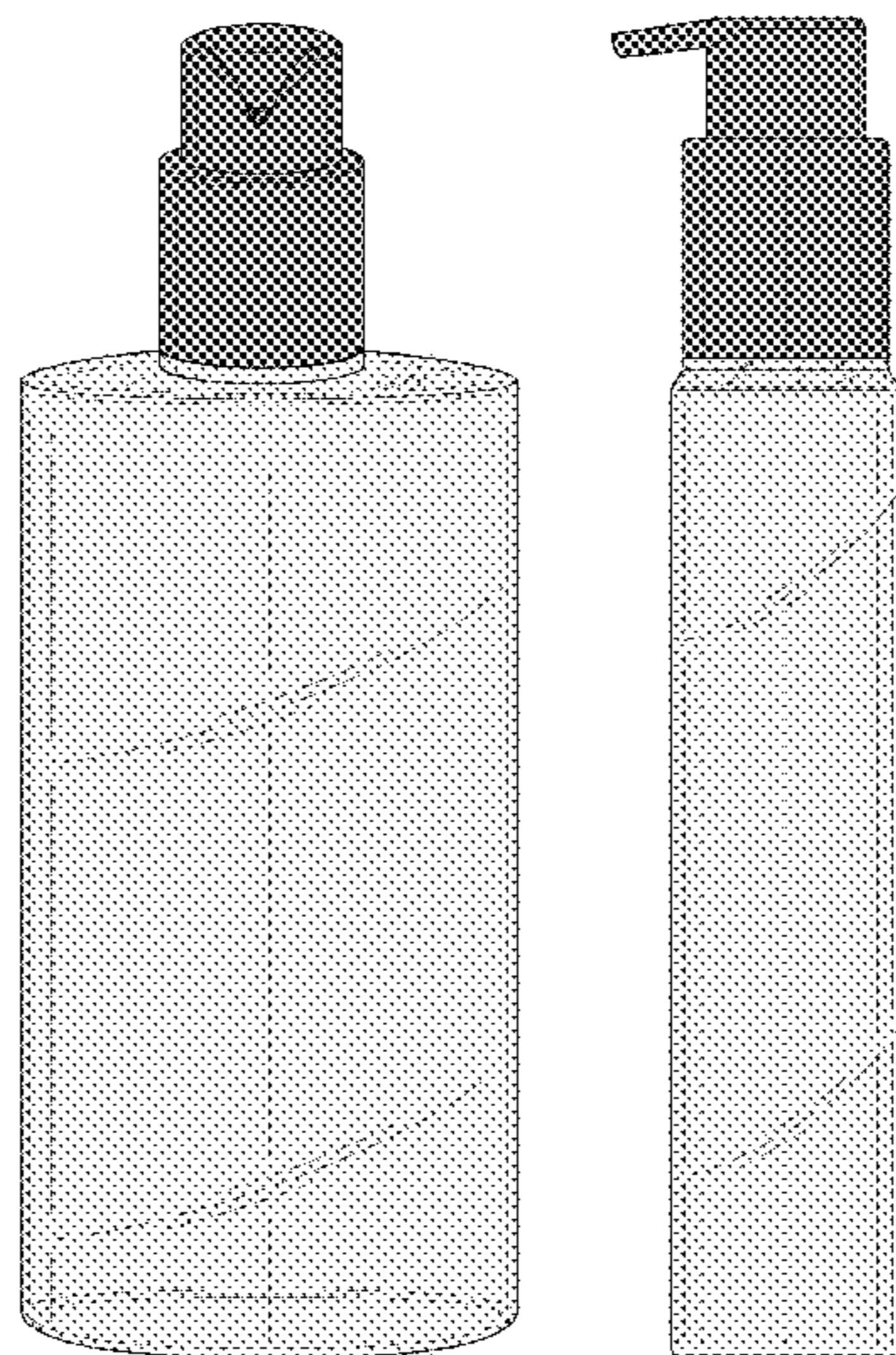
FIG. 5 is a left side view thereof;

FIG. 6 is a top plan view thereof; and,

FIG. 7 is a bottom plan view thereof.

The broken lines of even length shown in FIG. 7 illustrate the bottom end portion of the bottle that forms no part of the claimed design.

1 Claim, 7 Drawing Sheets
(7 of 7 Drawing Sheet(s) Filed in Color)



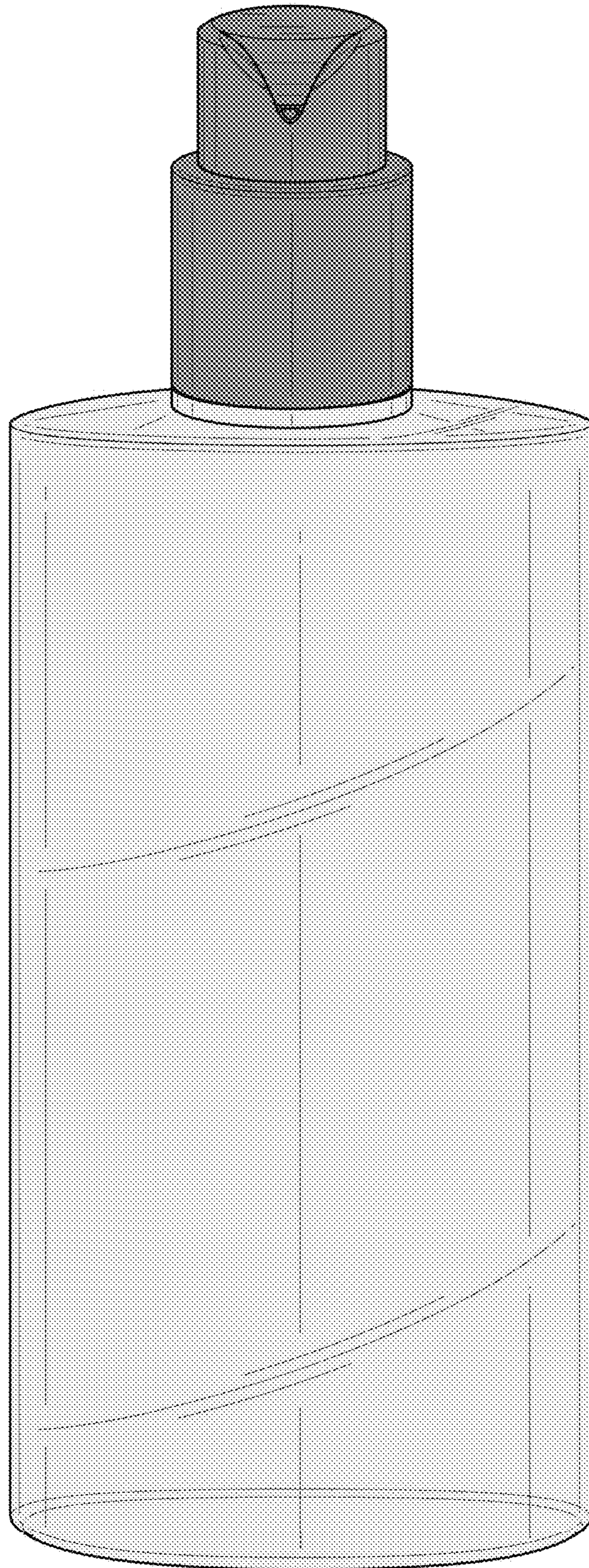


FIG. 1

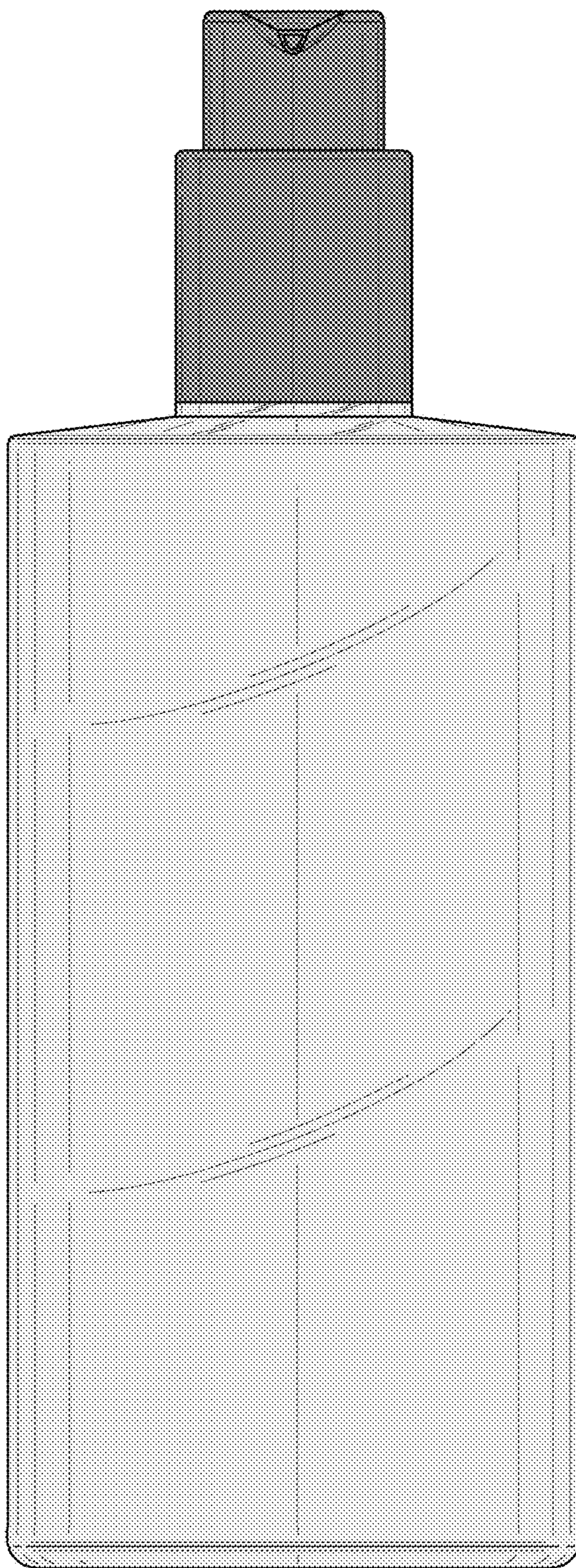


FIG. 2

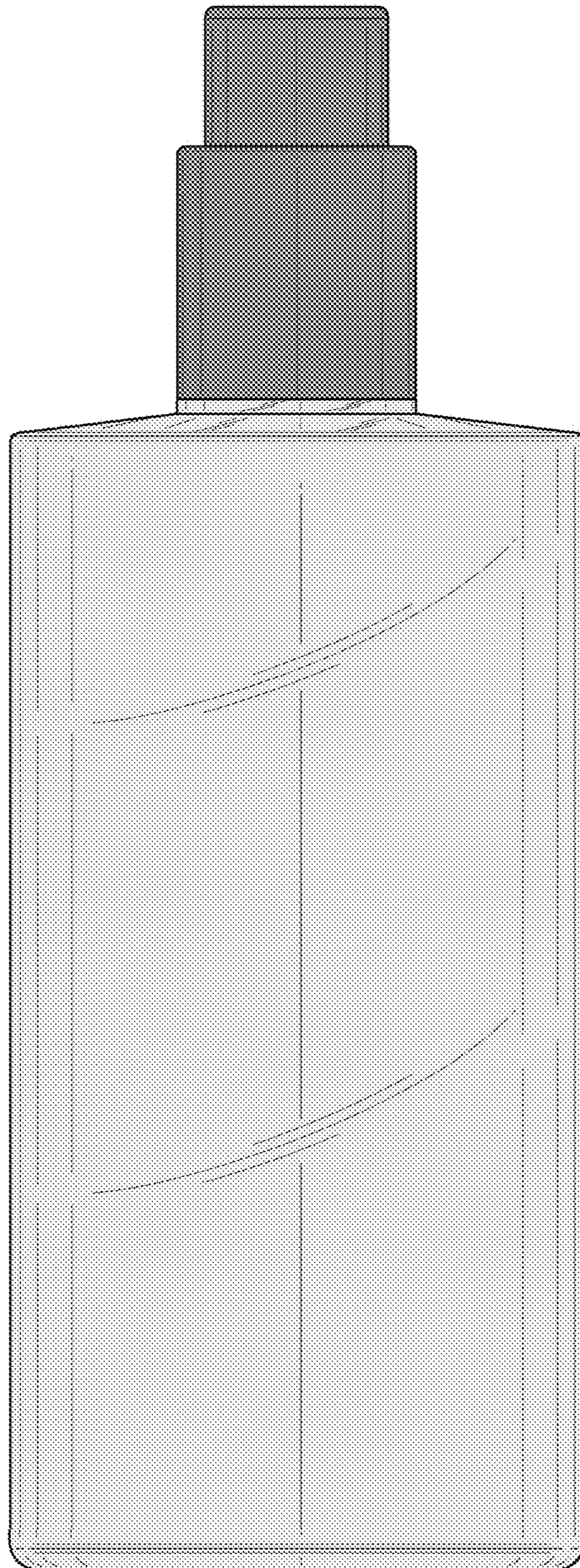


FIG. 3

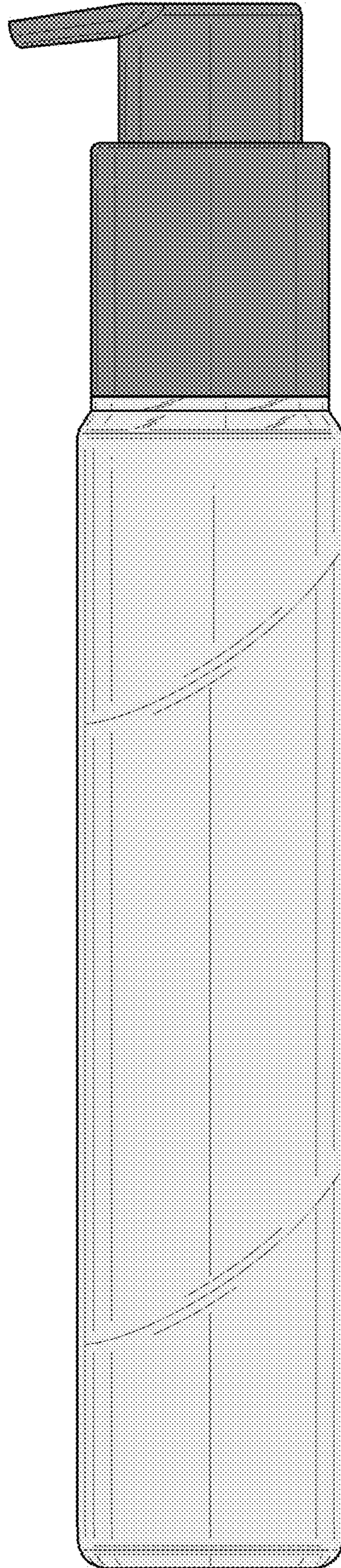


FIG. 4

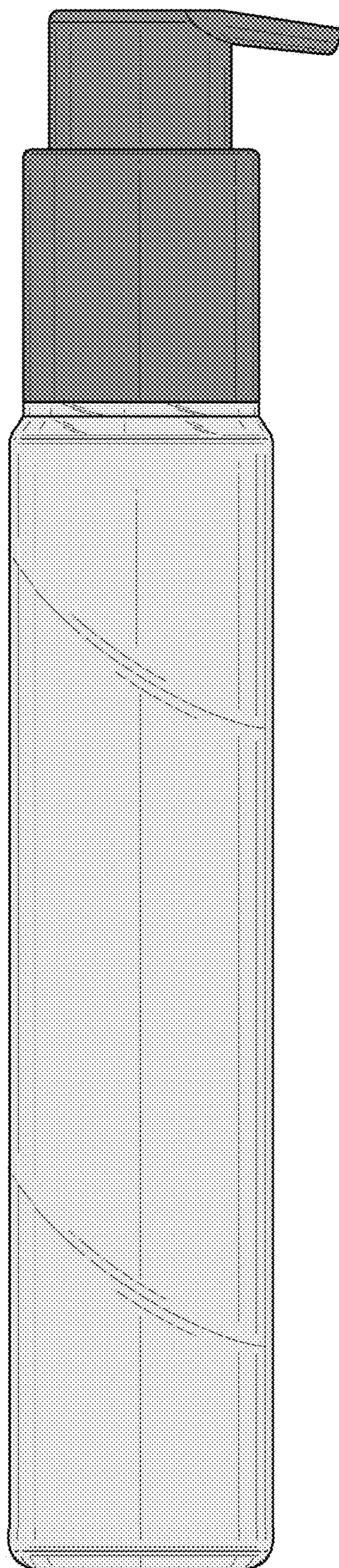


FIG. 5

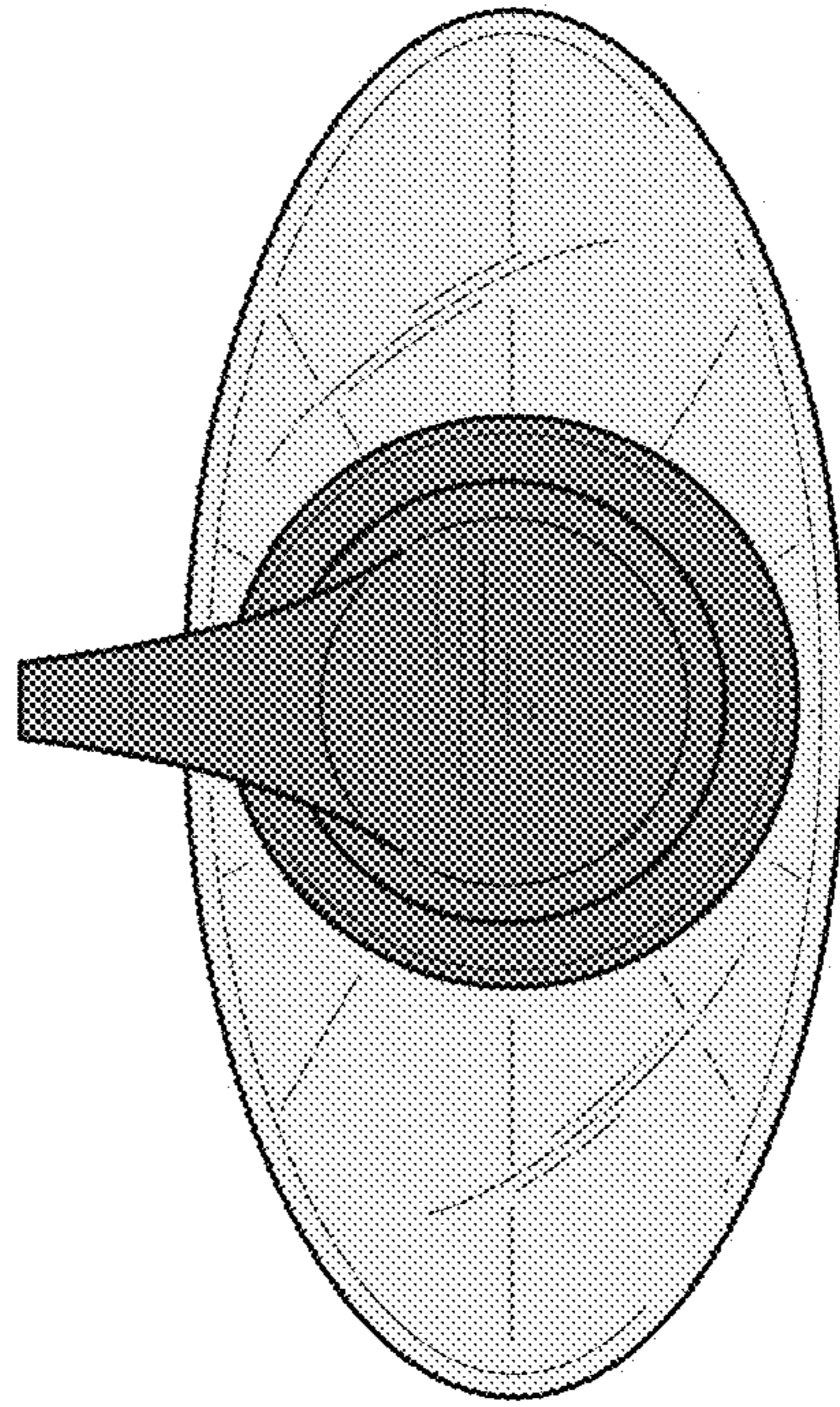


FIG. 6

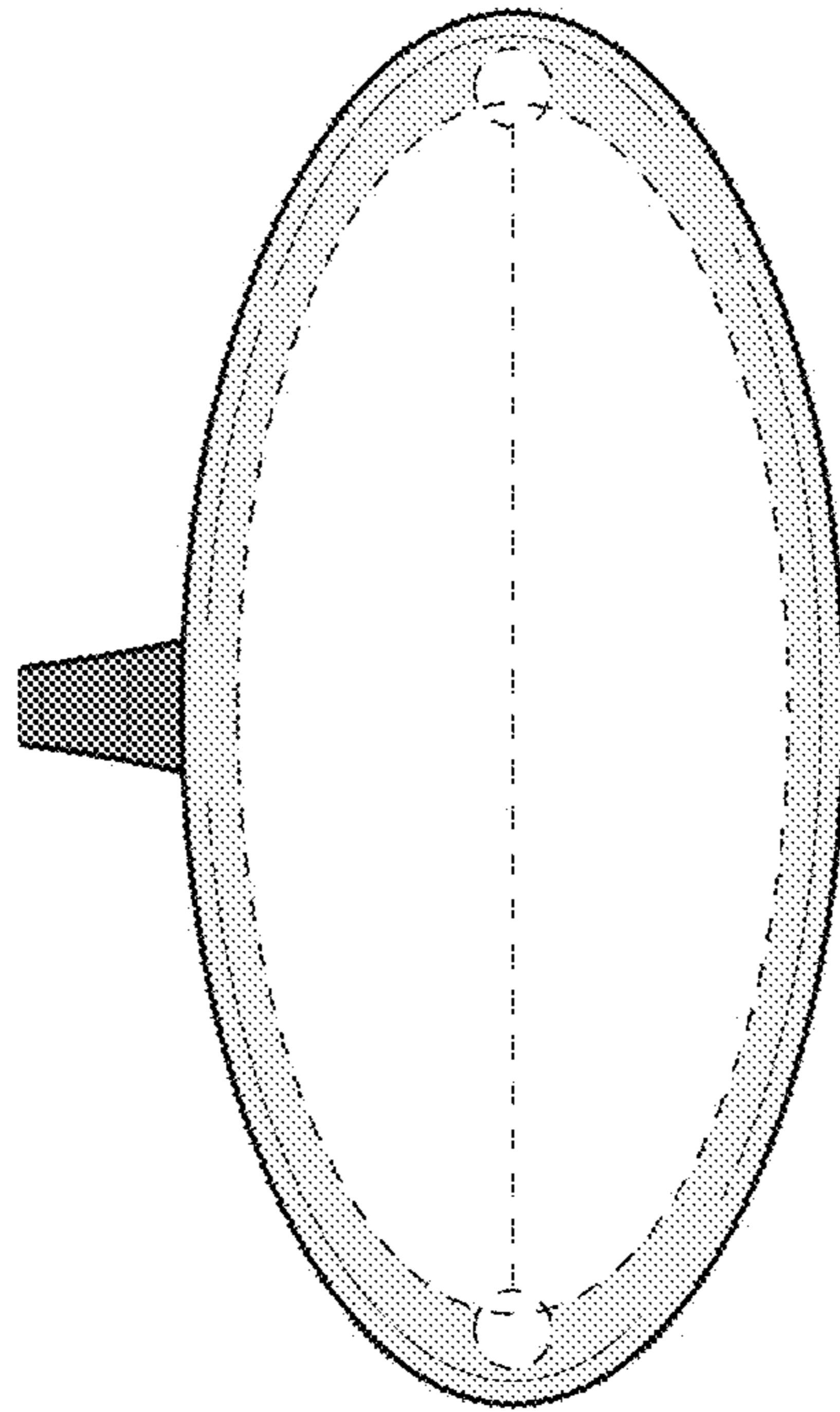


FIG. 7