



US00D807192S

(12) **United States Design Patent**  
**Haws**

(10) **Patent No.:** **US D807,192 S**  
(45) **Date of Patent:** **\*\* Jan. 9, 2018**

- (54) **FOOTBALL HELMET BOTTLE**
- (71) Applicant: **River Granite Company**, Des Moines, IA (US)
- (72) Inventor: **James Haws**, Des Moines, IA (US)
- (73) Assignee: **River Granite Company**, Des Moines, IA (US)
- (\*\*) Term: **15 Years**

|               |         |                      |              |
|---------------|---------|----------------------|--------------|
| D314,492 S *  | 2/1991  | Weller .....         | D7/604       |
| D327,817 S *  | 7/1992  | Paullin .....        | D7/515       |
| D365,680 S *  | 1/1996  | Steinfels, III ..... | D3/271.4     |
| 5,511,685 A * | 4/1996  | Nelson .....         | A47G 19/2227 |
|               |         |                      | D7/514       |
| D369,529 S *  | 5/1996  | Blankenburg .....    | D7/515       |
| D382,473 S *  | 8/1997  | Egender .....        | D7/613       |
| D416,799 S *  | 11/1999 | Adams .....          | D9/632       |
| D419,880 S *  | 2/2000  | Adams .....          | D9/632       |
| D452,649 S *  | 1/2002  | Davis .....          | D9/632       |
| D493,709 S *  | 8/2004  | Tamez .....          | D9/632       |
| D535,157 S *  | 1/2007  | Hoehne .....         | D9/632       |
| D771,499 S *  | 11/2016 | Konieczny .....      | D9/618       |

- (21) Appl. No.: **29/569,013**
- (22) Filed: **Jun. 23, 2016**
- (51) **LOC (11) Cl.** ..... **09-01**
- (52) **U.S. Cl.**  
USPC ..... **D9/632**; D9/668
- (58) **Field of Classification Search**  
USPC .... D3/270, 271.1-271.4; D7/510, 514-520,  
D7/599, 604, 613, 619.2, 623, 628;  
D9/600, 614, 618-619, 631-632, 668;  
206/457, 459.5, 527; 215/381-384, 400  
CPC .... B65D 5/4258; B65D 81/60; B65D 81/365;  
B65D 81/366; B65D 81/368; B65D  
2203/00; B65D 2203/02  
See application file for complete search history.

\* cited by examiner

*Primary Examiner* — Sandra L Morris  
(74) *Attorney, Agent, or Firm* — McKee, Voorhees & Sease, PLC

(57) **CLAIM**

I claim the ornamental design for a football helmet bottle, substantially as shown.

**DESCRIPTION**

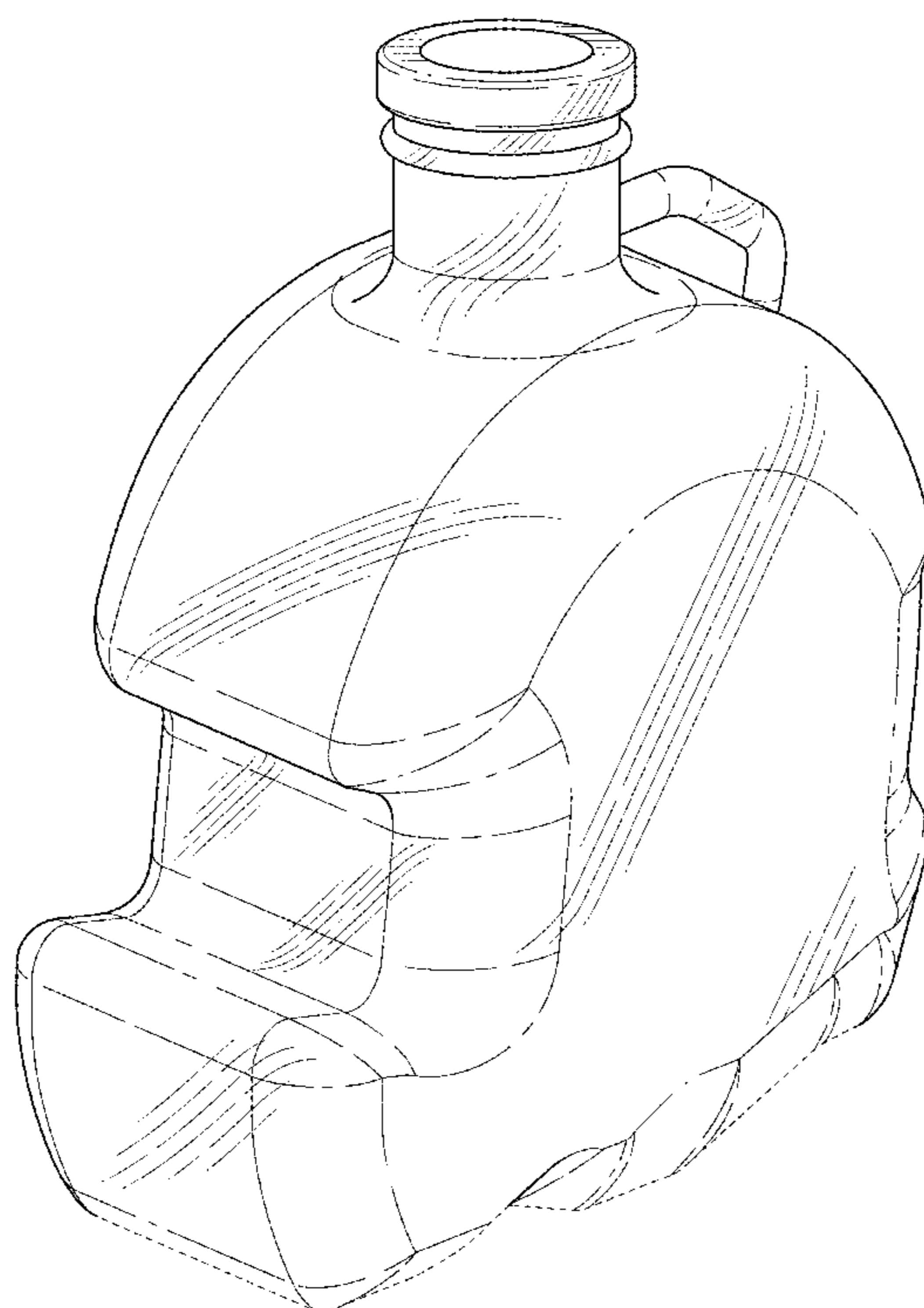
FIG. 1 is a perspective view of a bottle in the shape of a football helmet, according to the present invention.  
FIG. 2 is a front elevation view of the football helmet bottle.  
FIG. 3 is a rear elevation view of the football helmet bottle.  
FIG. 4 is a side elevation view of the football helmet bottle, with the opposite side elevation view being a mirror image; and,  
FIG. 5 is a top plan view of the football helmet bottle.  
Structure shown in broken lines in FIGS. 1-5 form no part of the claimed design.

(56) **References Cited**

U.S. PATENT DOCUMENTS

|              |        |               |        |
|--------------|--------|---------------|--------|
| D218,349 S * | 8/1970 | Feeney .....  | D7/604 |
| D234,898 S * | 4/1975 | Merrick ..... | D7/517 |
| D251,225 S * | 3/1979 | Danat .....   | D7/517 |

**1 Claim, 5 Drawing Sheets**



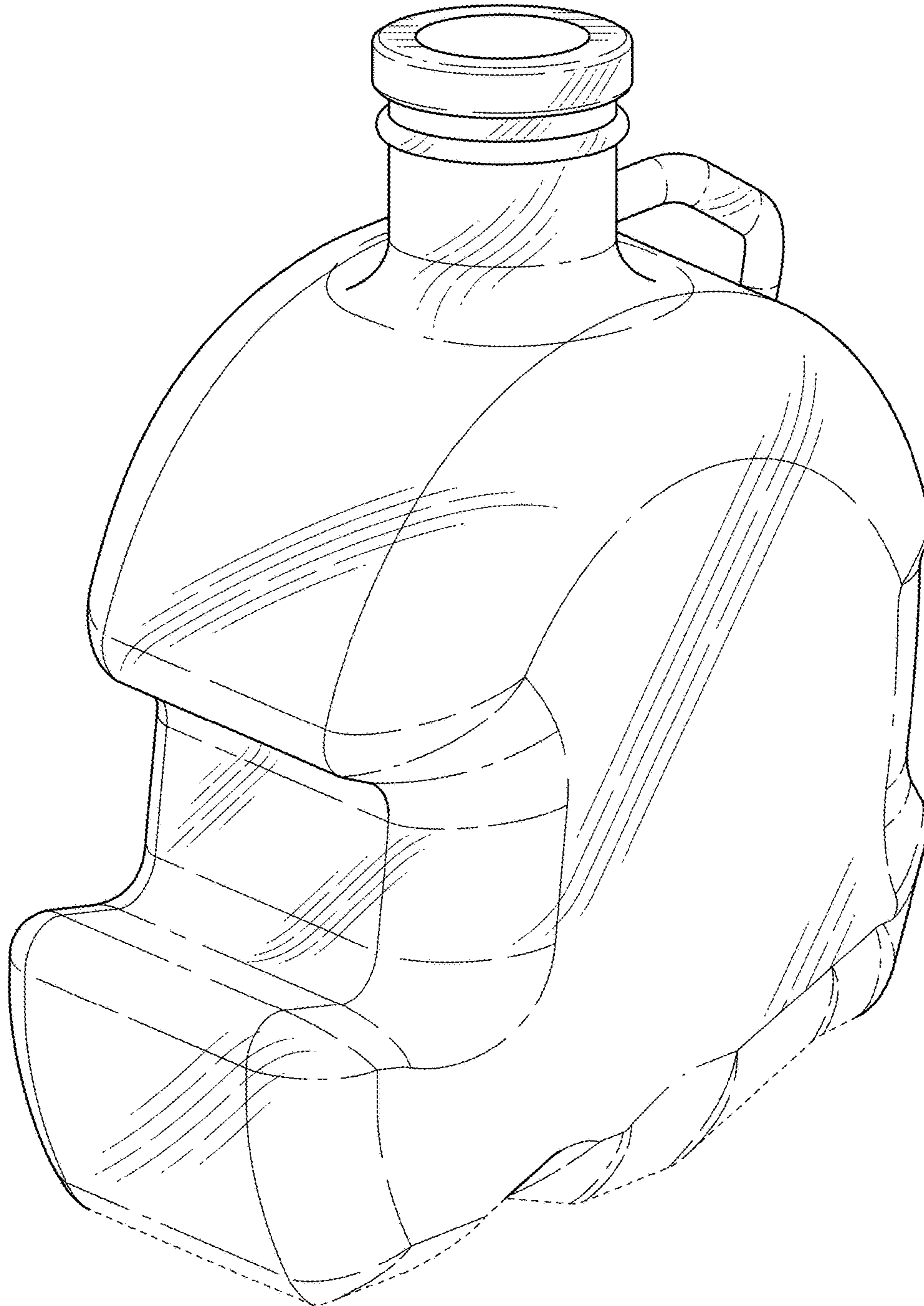


FIG. 1

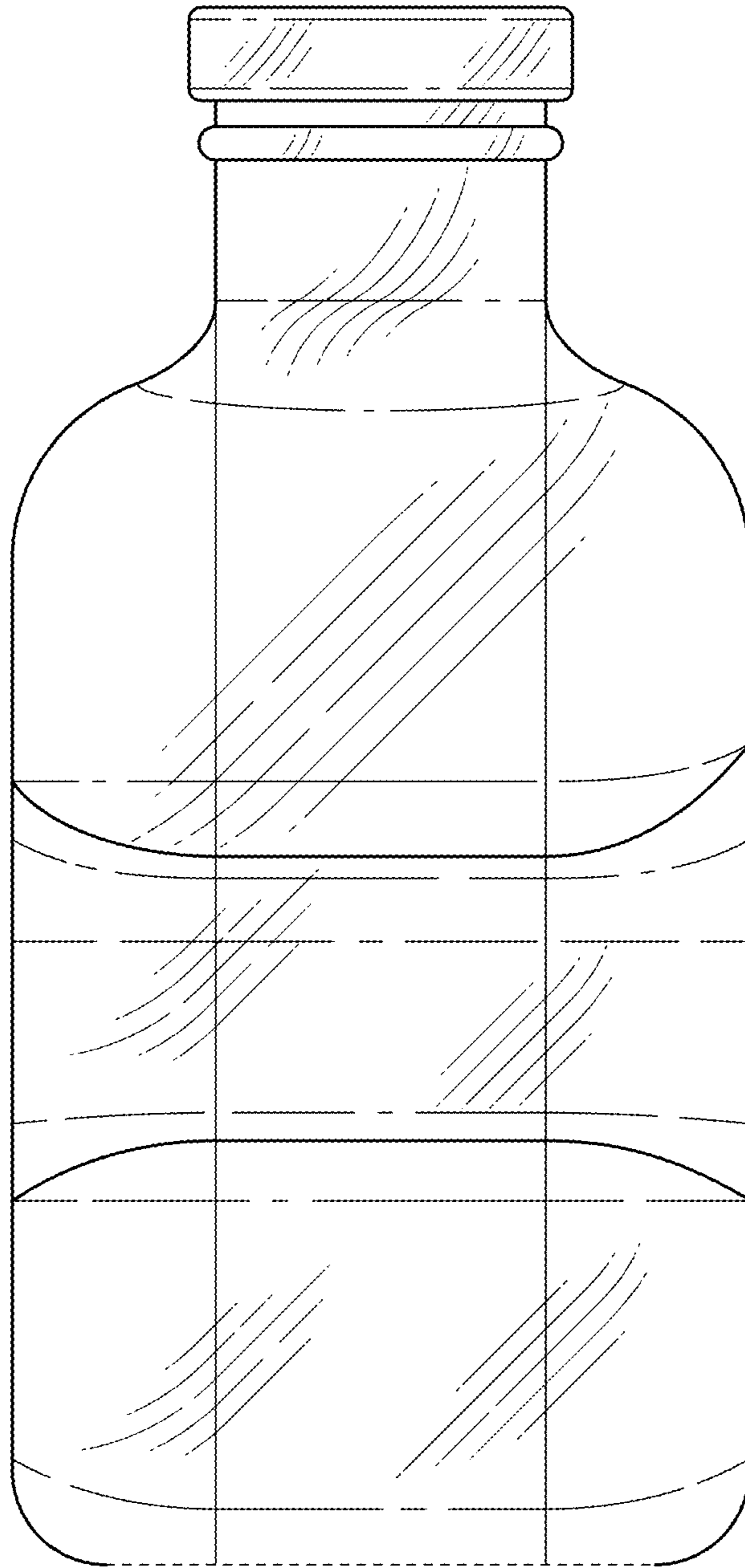


FIG. 2

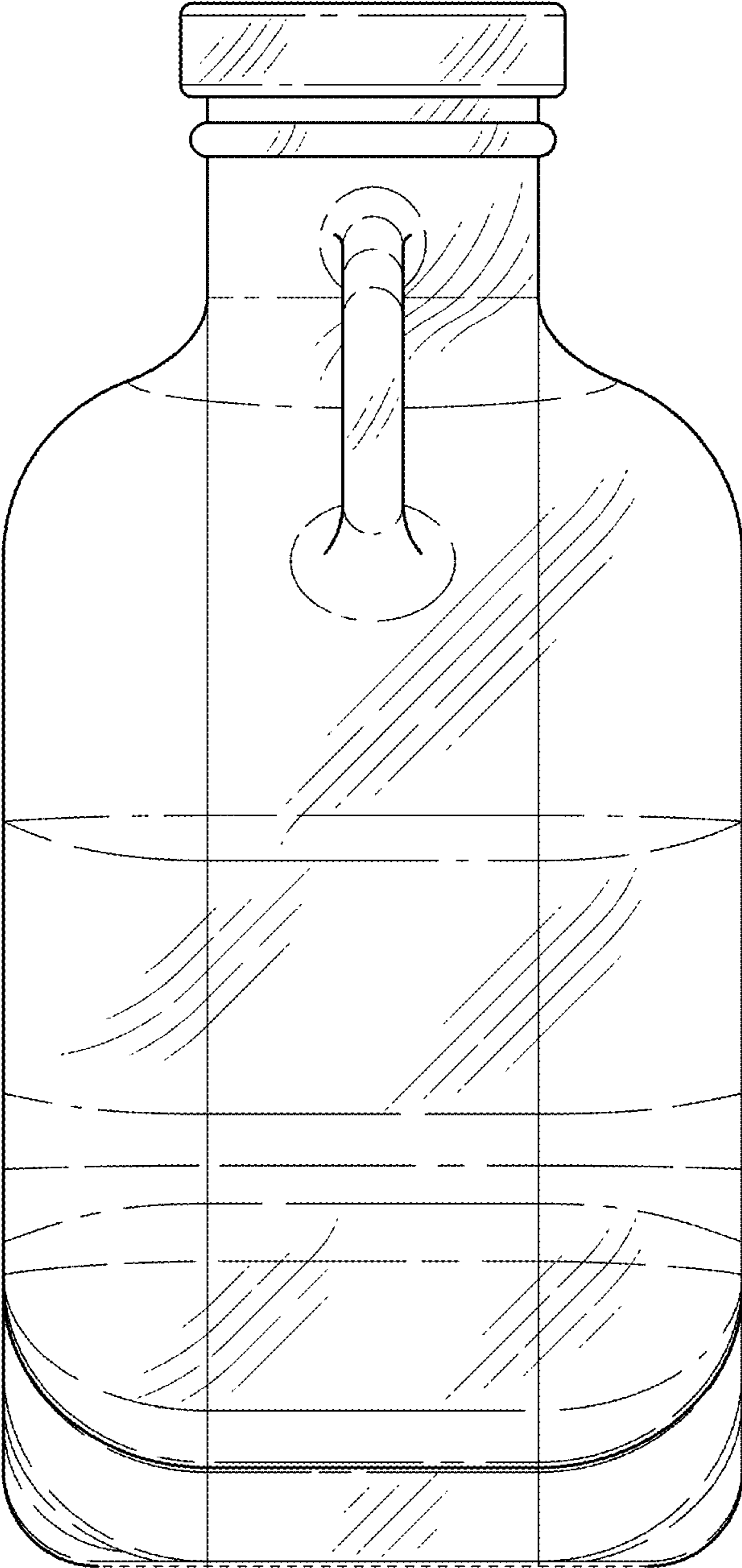


FIG. 3

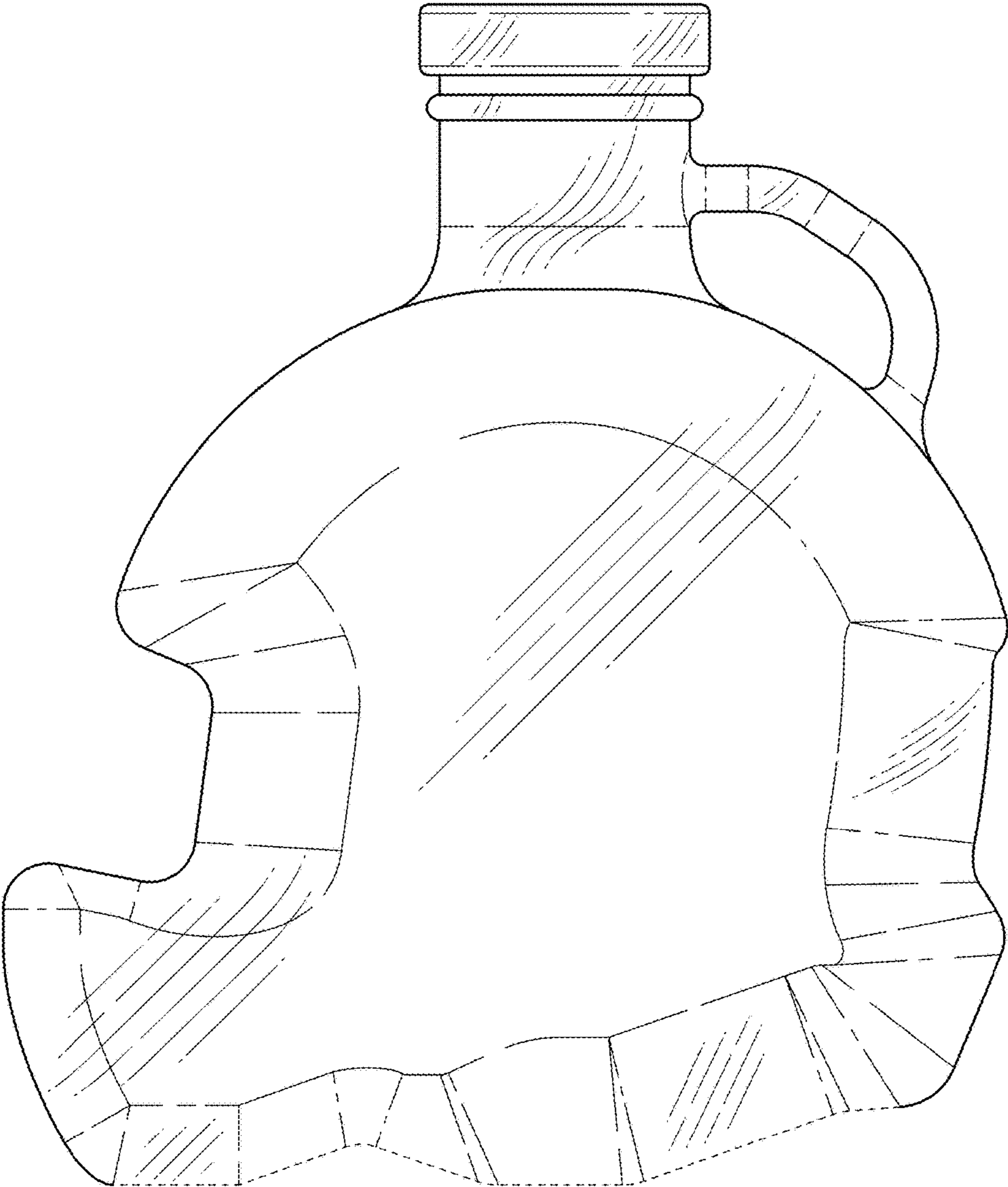


FIG. 4

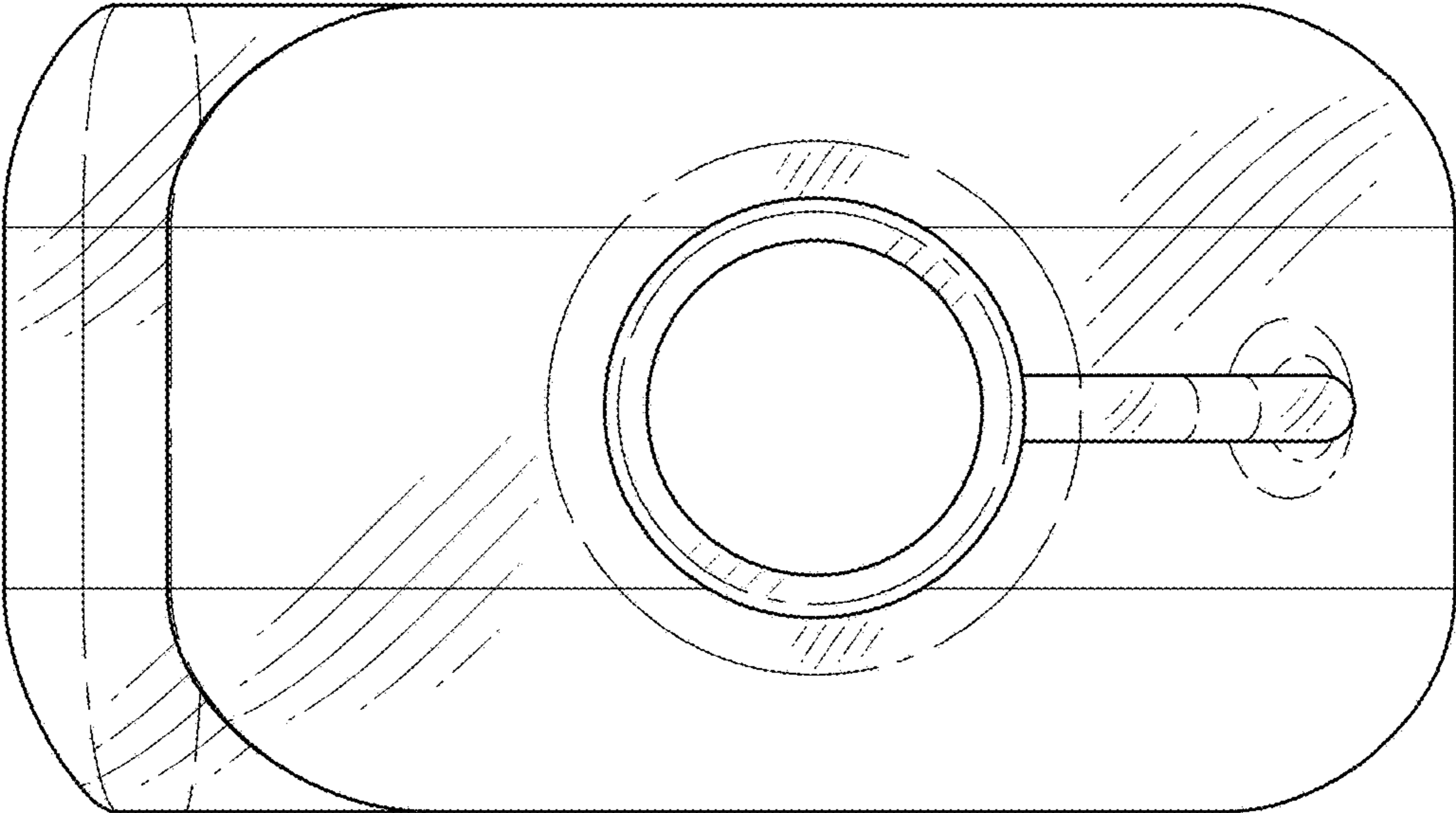


FIG. 5