



US00D807188S

(12) **United States Design Patent**  
**de Baschmakoff**

(10) **Patent No.:** **US D807,188 S**

(45) **Date of Patent:** **\*\* Jan. 9, 2018**

(54) **BOTTLE**

(71) Applicant: **J. Choo Limited**, London (GB)

(72) Inventor: **Thierry de Baschmakoff**, Paris (FR)

(73) Assignee: **J. Choo Limited**, London (GB)

(\*\*) Term: **15 Years**

(21) Appl. No.: **29/541,882**

(22) Filed: **Oct. 8, 2015**

(30) **Foreign Application Priority Data**

Jul. 8, 2015 (EM) ..... 002733600-0005  
Jul. 8, 2015 (EM) ..... 002733600-0006

(51) **LOC (11) Cl.** ..... **09-01**

(52) **U.S. Cl.**  
USPC ..... **D9/553; D9/546; D9/557; D9/559;**  
**D9/566; D9/569**

(58) **Field of Classification Search**

USPC ..... D9/434-435, 444-445, 454, 516, 549,  
D9/553, 556, 566-567, 682, 690-692,  
D9/694, 715, 719; D28/91.1  
CPC ..... B65D 1/00; B65D 1/02; B65D 1/0223;  
B65D 23/00; B65D 81/00; B65D  
2501/00; B65D 2501/0009; B65D  
2501/0081

See application file for complete search history.

(56) **References Cited**

**U.S. PATENT DOCUMENTS**

D100,112 S \* 6/1936 McIntosh ..... D9/545  
D119,662 S 3/1940 Warner, Jr. et al.

D264,685 S \* 6/1982 Ducros ..... D9/556  
D359,690 S \* 6/1995 Heinz ..... D9/545  
D373,706 S \* 9/1996 Gregg ..... D7/511  
D482,795 S \* 11/2003 Whitley ..... D24/121  
D522,879 S \* 6/2006 Chadfield ..... D9/727  
D583,253 S \* 12/2008 Yamamoto ..... D9/687  
D595,584 S \* 7/2009 Yamamoto ..... D9/529  
D596,036 S \* 7/2009 Yamamoto ..... D9/529  
D662,827 S \* 7/2012 Watabe ..... D9/453

\* cited by examiner

*Primary Examiner* — Dana L Meyrow

(74) *Attorney, Agent, or Firm* — Fross Zelnick Lehrman  
& Zissu, P.C.; Lawrence E. Apolzon, Esq.

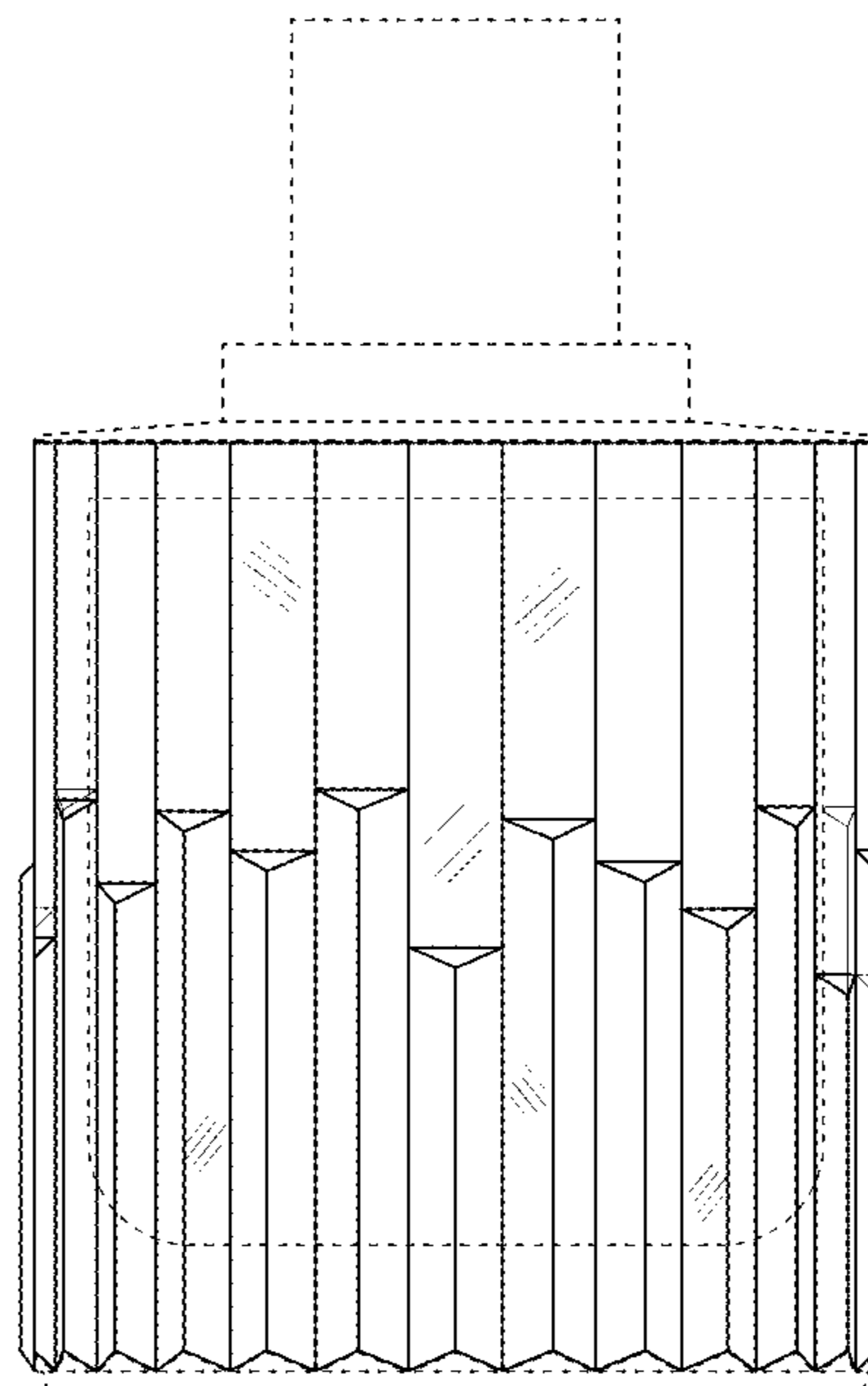
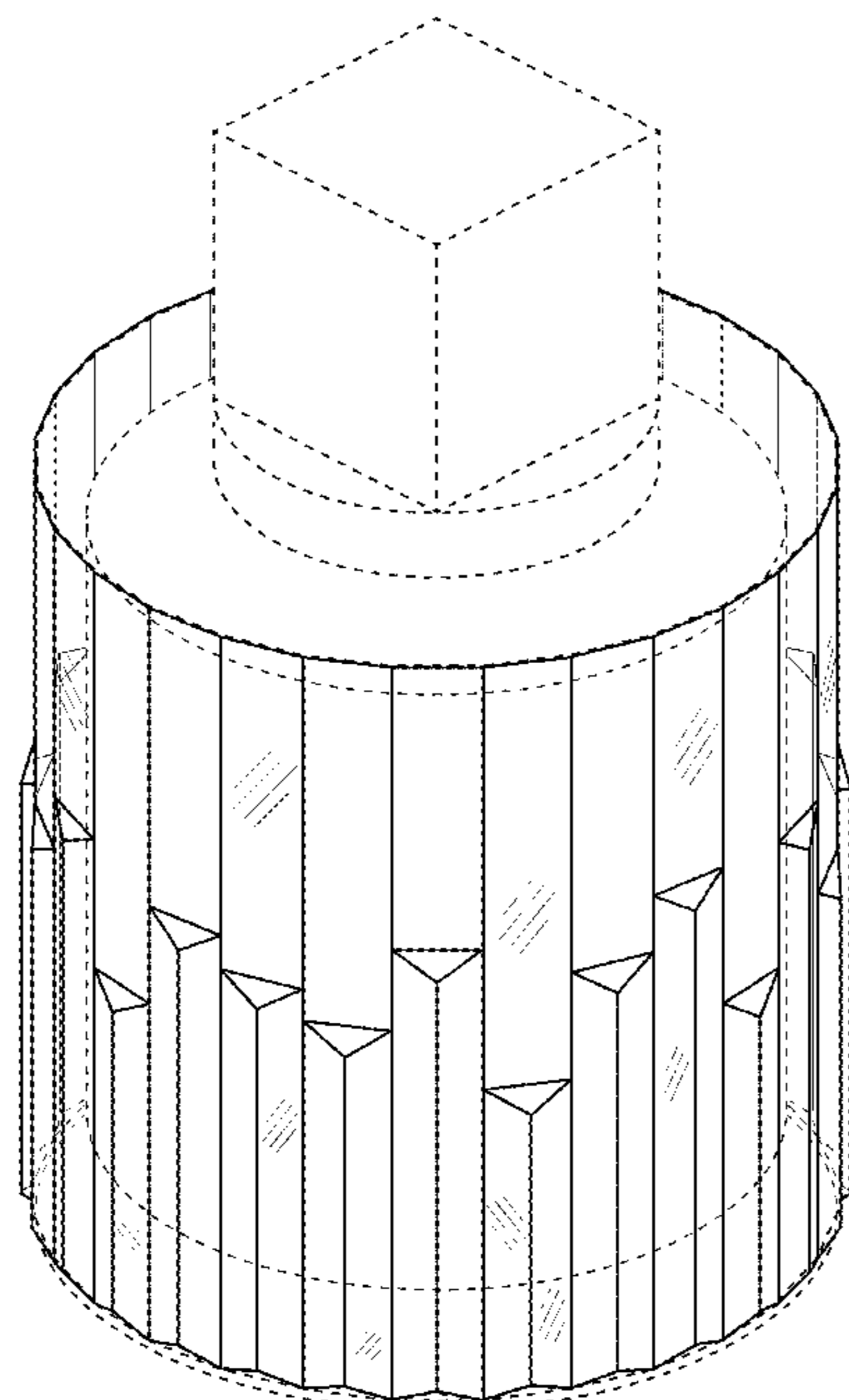
(57) **CLAIM**

The ornamental design for a bottle, as shown and described.

**DESCRIPTION**

FIG. 1 is a front perspective view of a bottle showing my new design;  
FIG. 2 is a front view of the bottle shown in FIG. 1;  
FIG. 3 is a back view of the bottle shown in FIG. 1;  
FIG. 4 is a left side view of the bottle shown in FIG. 1;  
FIG. 5 is a right side view of the bottle shown in FIG. 1;  
FIG. 6 is a top view of the bottle shown in FIG. 1; and,  
FIG. 7 is a bottom view of the bottle shown in FIG. 1.  
The broken line showing of the interior wall, portions of the top and bottom of the bottle, and cap in the relevant drawings shows unclaimed subject matter for the design in those drawings.

**1 Claim, 7 Drawing Sheets**



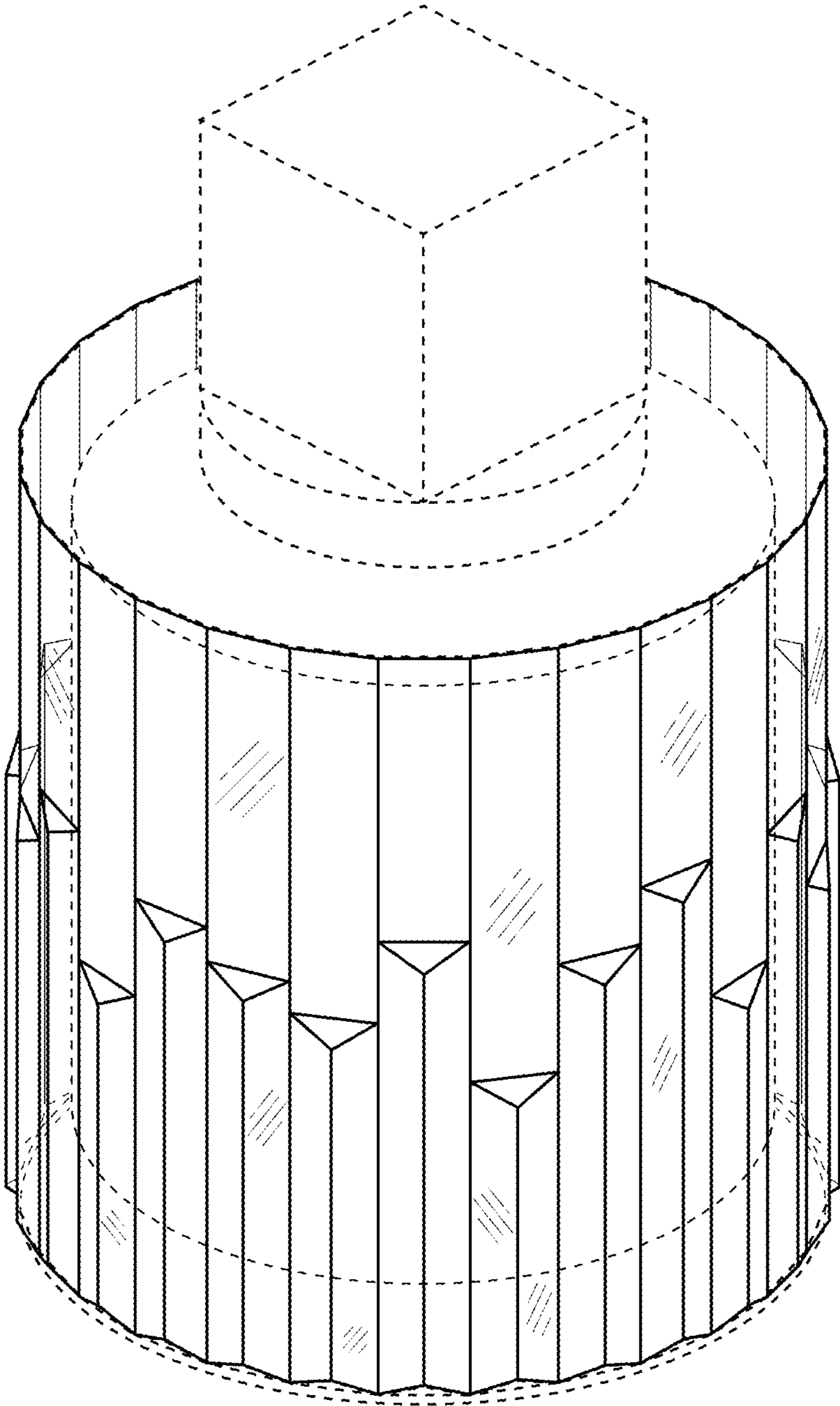


FIG. 1

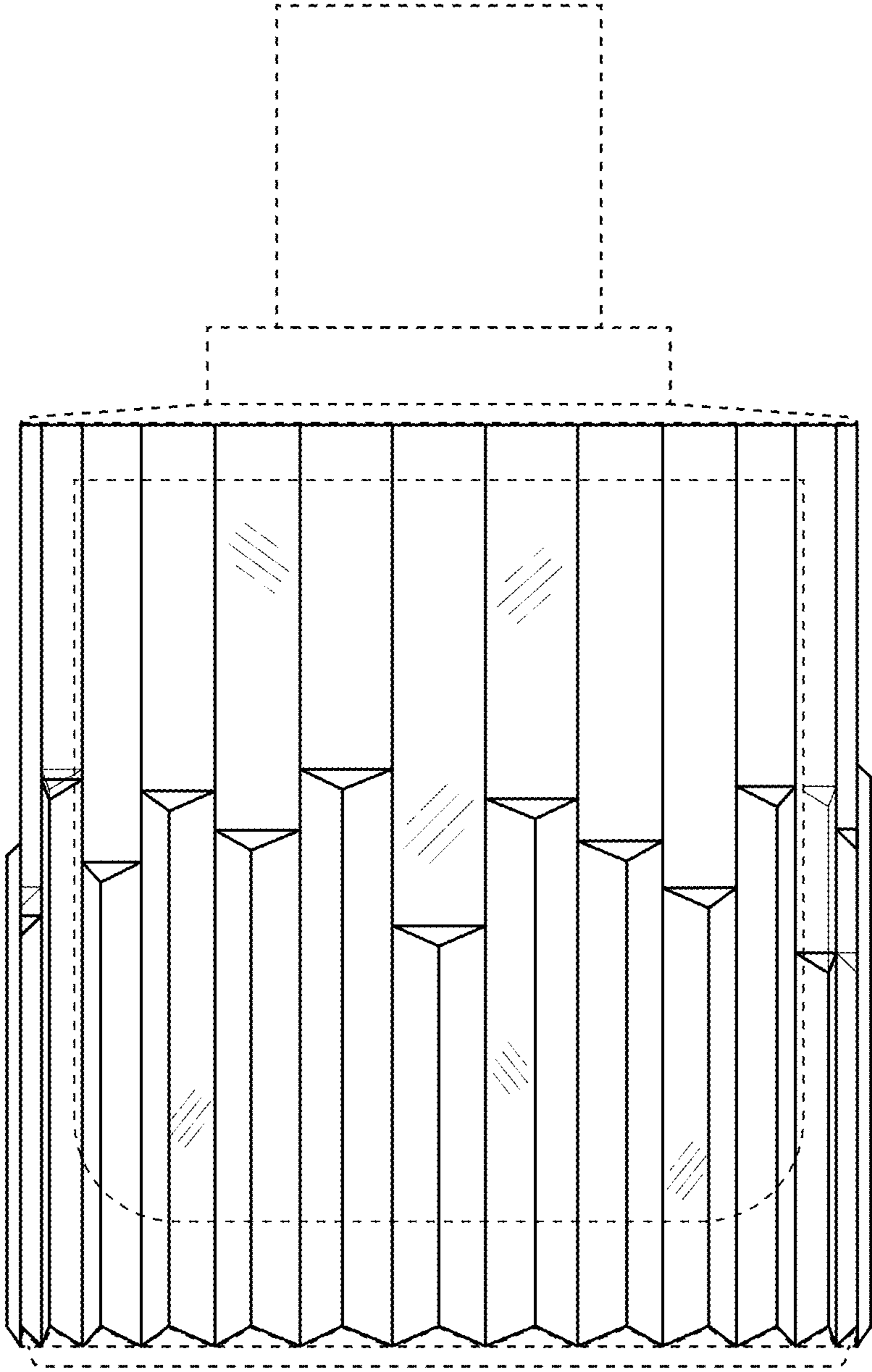


FIG. 2

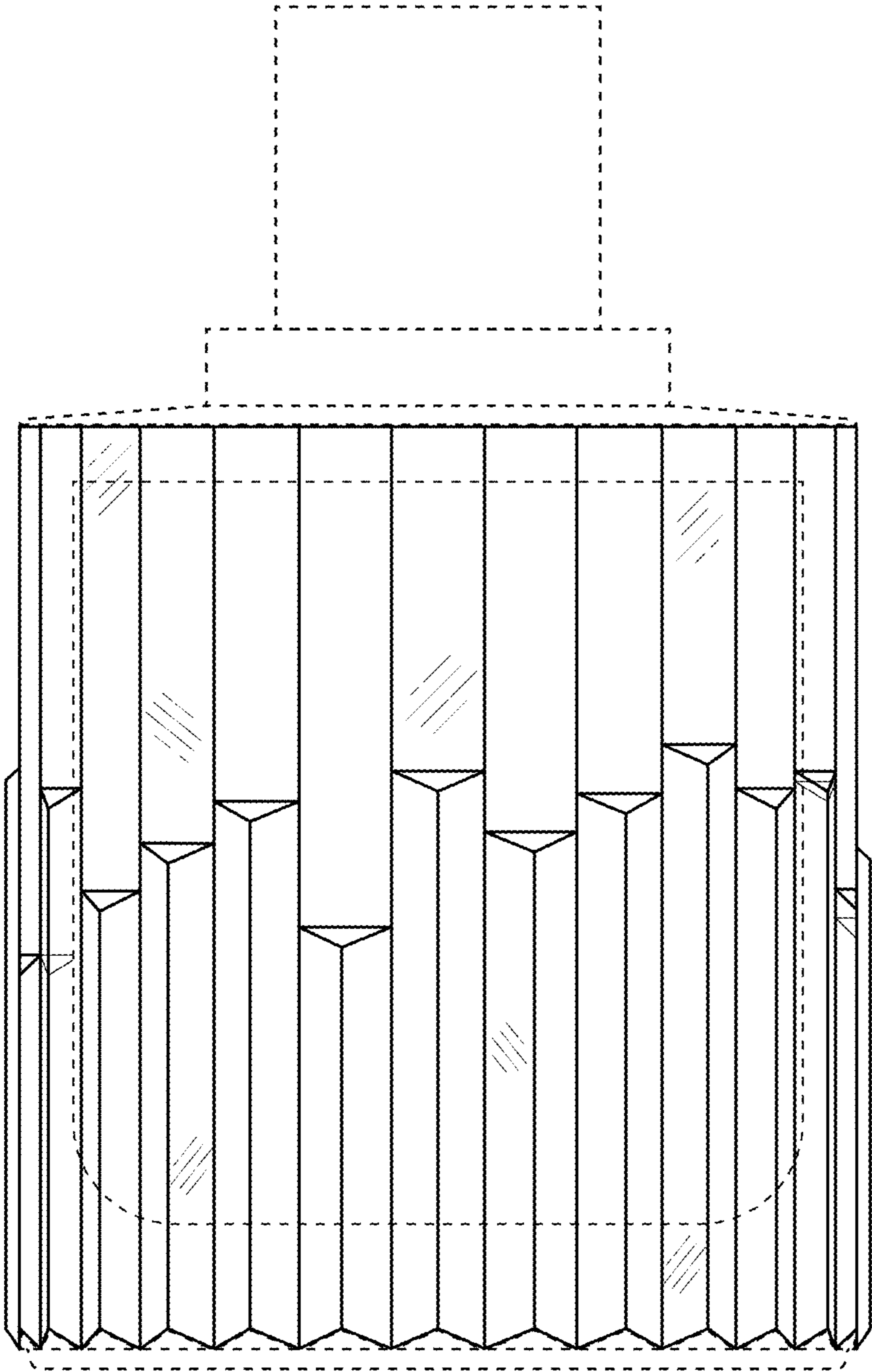


FIG. 3

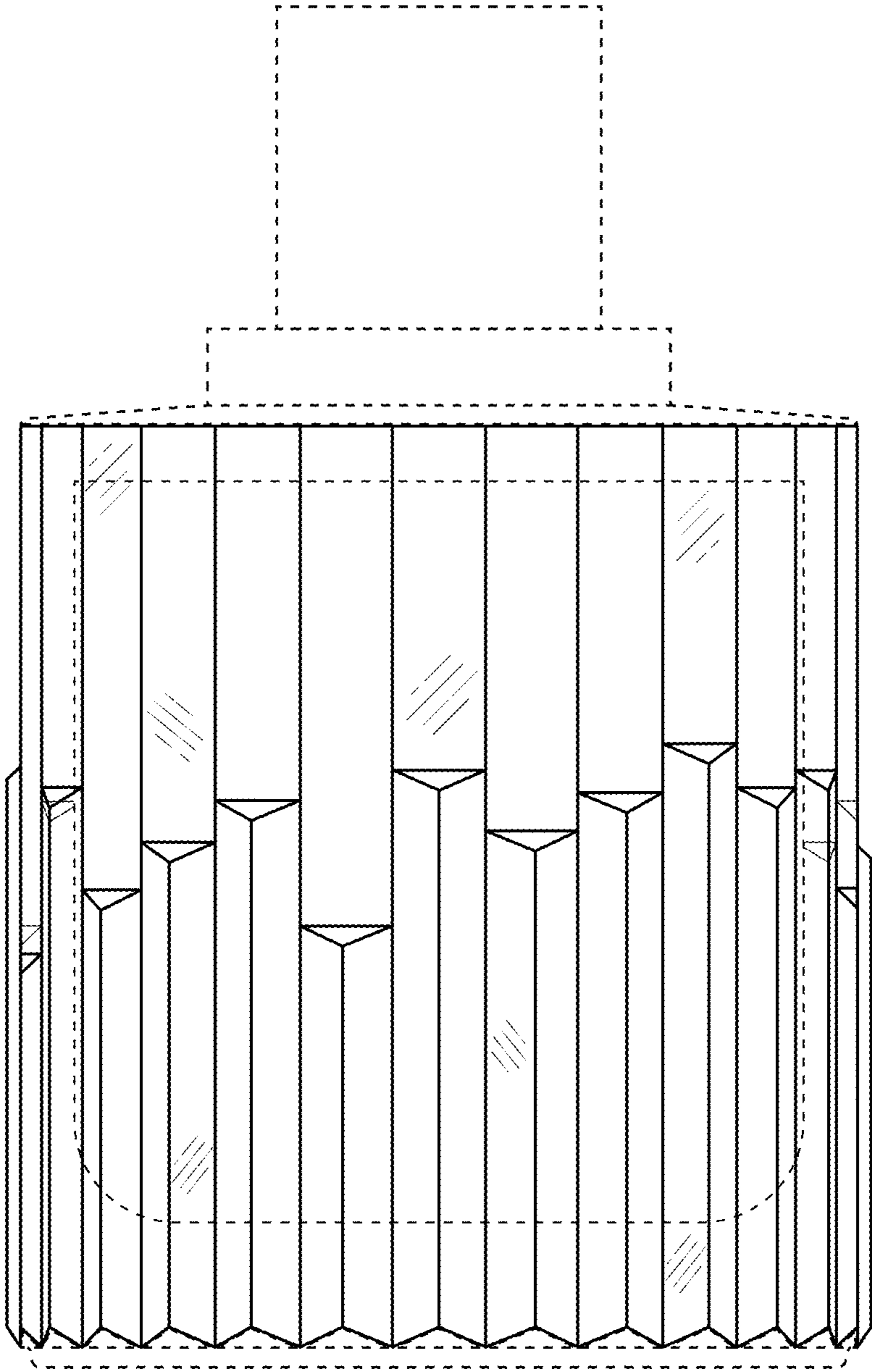


FIG. 4

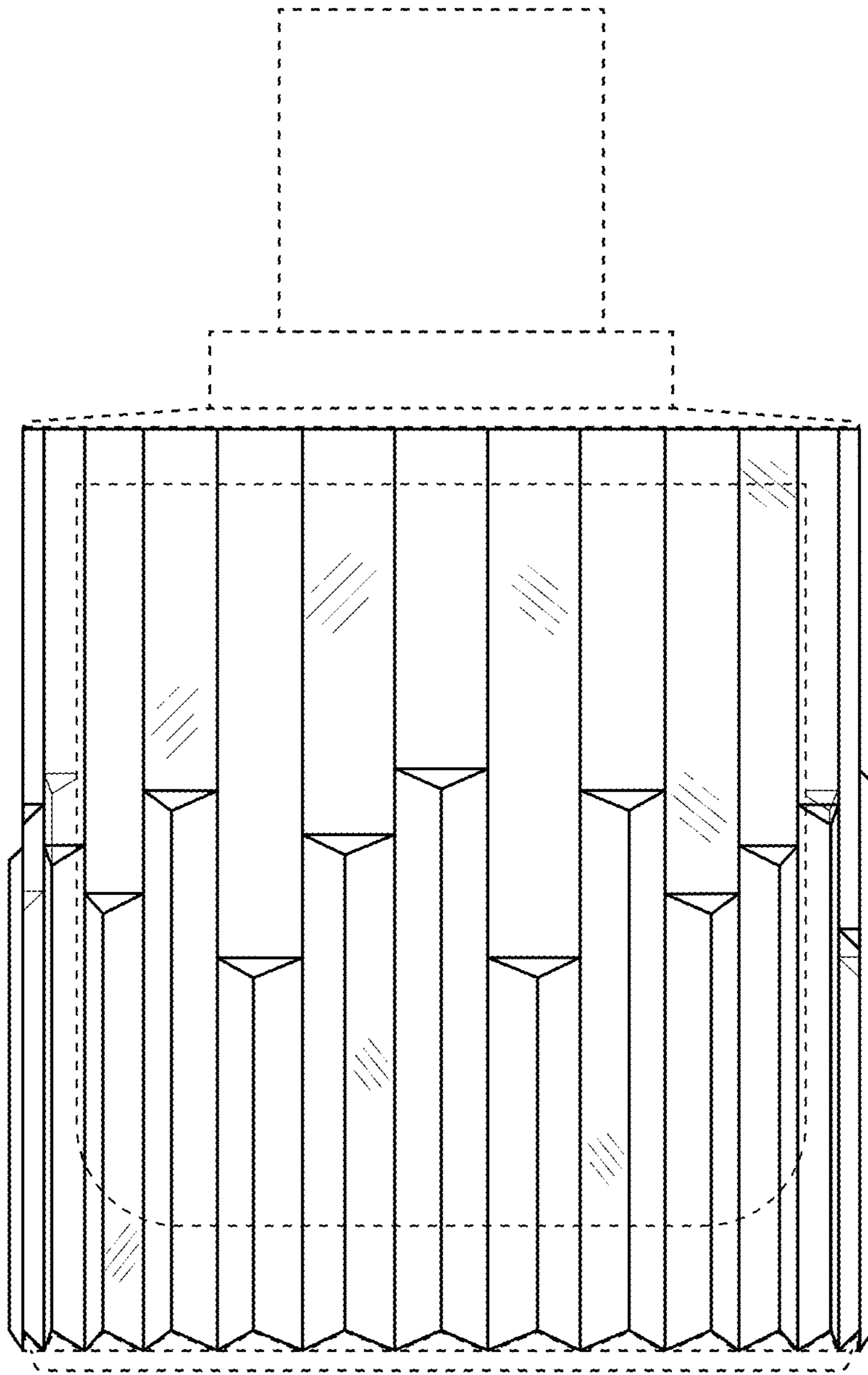


FIG. 5

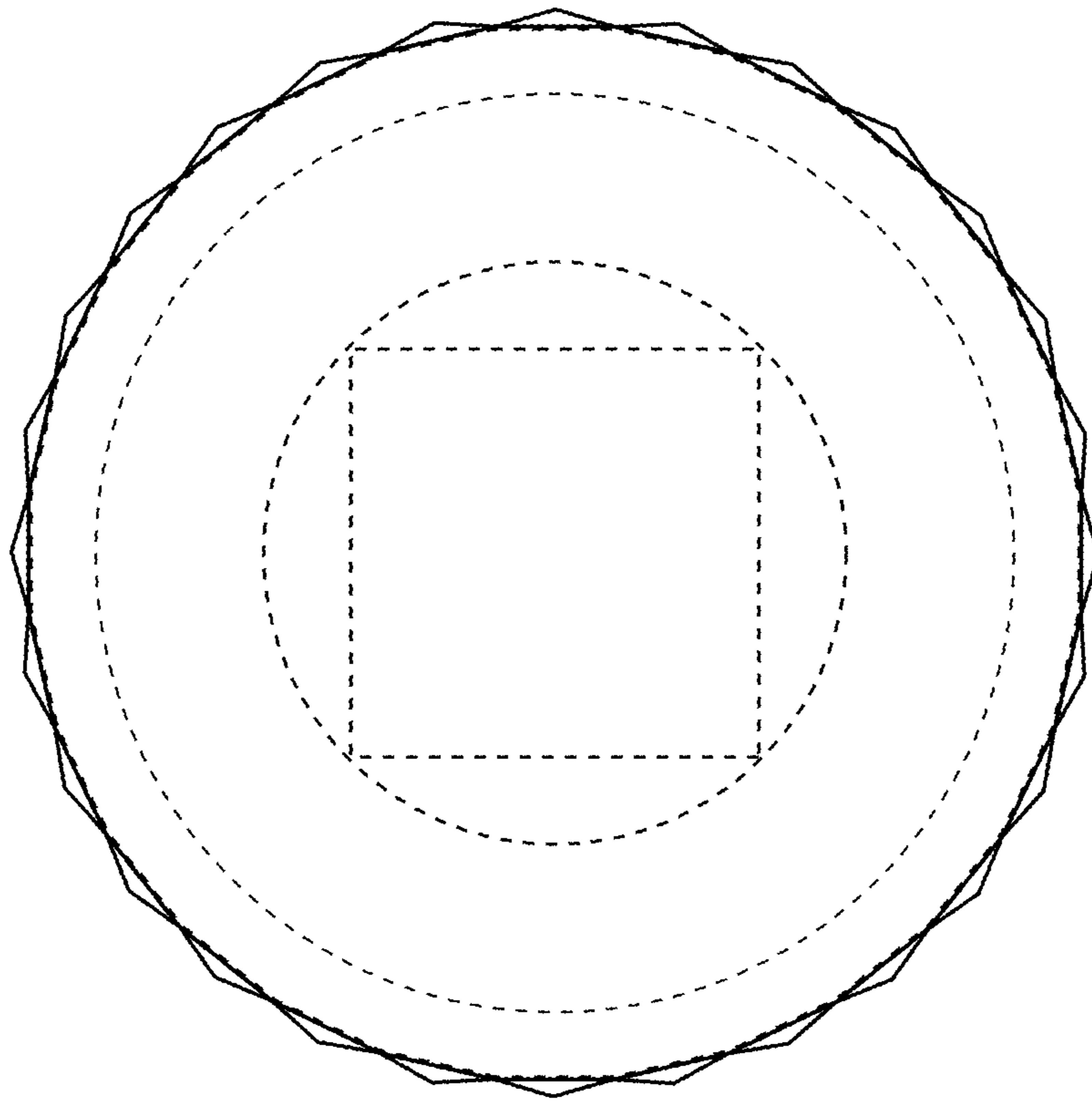


FIG. 6

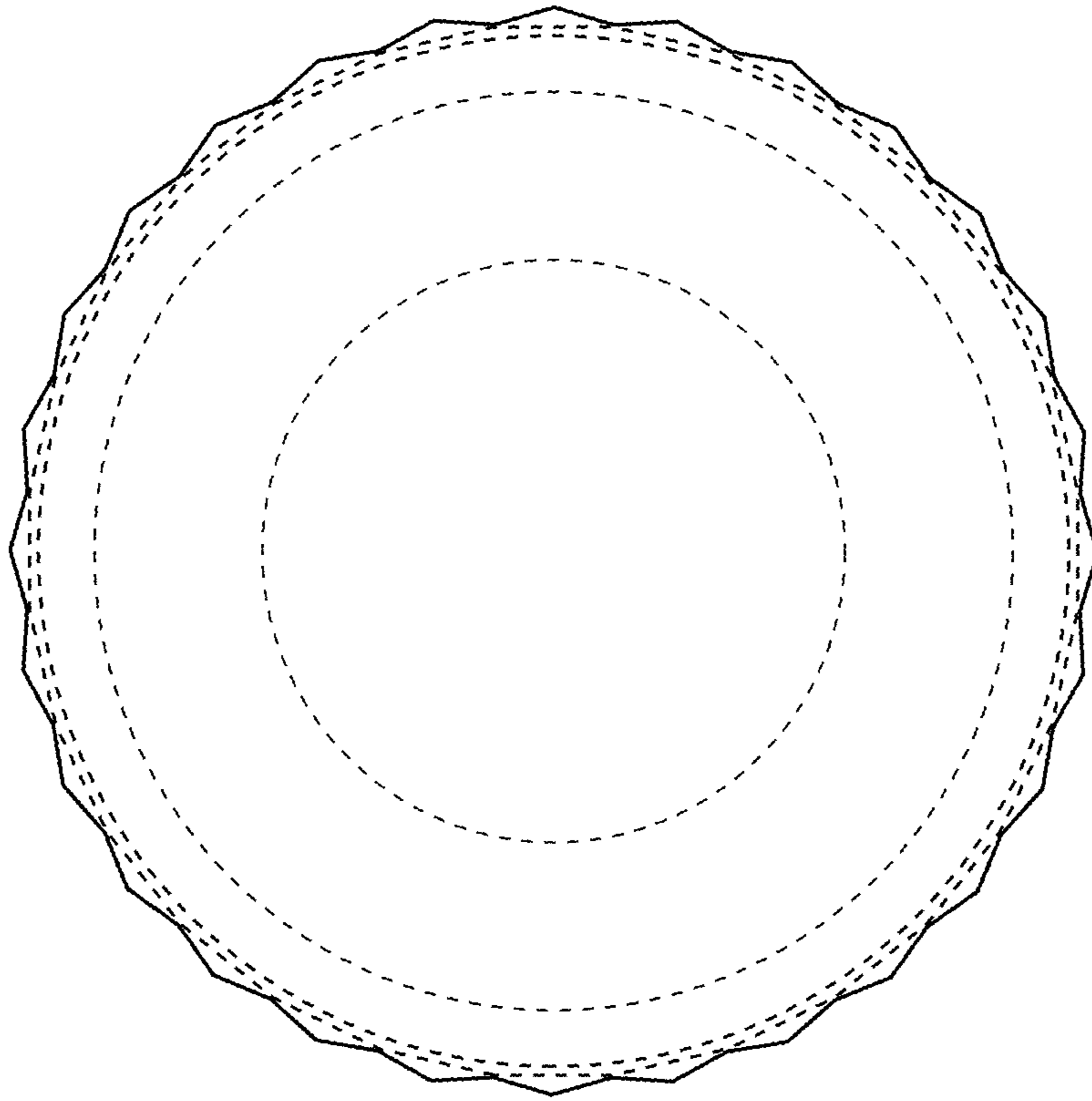


FIG. 7