



US00D807185S

(12) **United States Design Patent**
Wendt et al.

(10) **Patent No.:** **US D807,185 S**
(45) **Date of Patent:** **** Jan. 9, 2018**

(54) **CONTAINER**

(71) Applicant: **Service Ideas, Inc.**, Woodbury, MN (US)

(72) Inventors: **Thomas Wendt**, Colfax, WI (US);
Gregory Poul, St. Paul, MN (US)

(73) Assignee: **Service Ideas, Inc.**, Woodbury, MN (US)

(**) Term: **15 Years**

(21) Appl. No.: **29/555,621**

(22) Filed: **Feb. 23, 2016**

(51) **LOC (11) Cl.** **09-01**

(52) **U.S. Cl.**
USPC **D9/531; D9/575**

(58) **Field of Classification Search**
USPC D9/516, 530, 531, 540, 545, 549, 575,
D9/715, 719; D7/300, 300.1, 598, 619.1,
D7/622; D3/202

CPC B65D 23/10; B65D 23/102; B65D 23/104;
B65D 1/0223; B65D 1/20; B65D
2543/00092; B65D 51/1683

See application file for complete search history.

(56) **References Cited**

U.S. PATENT DOCUMENTS

D190,837 S *	7/1961	Johnson	215/383
D221,513 S *	8/1971	Leary	D9/528
D268,900 S *	5/1983	Douglas	D9/453
D380,682 S *	7/1997	Robinson	D9/520
D383,392 S *	9/1997	Quayle	D9/528

D403,968 S *	1/1999	DeVore	D9/531
D413,517 S *	9/1999	Zimny	D9/528
D449,993 S *	11/2001	Schumann	D9/434
D470,417 S *	2/2003	Anderson	D9/531
D657,681 S *	4/2012	Manderfield, Jr.	D9/528
D685,641 S *	7/2013	Tomkins	D9/528
D686,080 S *	7/2013	Tomkins	D9/528
D732,395 S *	6/2015	Christian	D9/531
D734,157 S *	7/2015	Hawry	D9/528
D766,111 S *	9/2016	Henshaw	D9/528
2011/0284595 A1 *	11/2011	Jamieson	B65D 25/2894 222/465.1

* cited by examiner

Primary Examiner — Ian Simmons

Assistant Examiner — Keith Frank

(74) *Attorney, Agent, or Firm* — Skaar Ulbrich Macari, P.A.

(57) **CLAIM**

I claim the ornamental design for a container, as shown and described.

DESCRIPTION

FIG. 1 is a perspective view of a container showing the claimed design;

FIG. 2 is a front elevational view of FIG. 1;

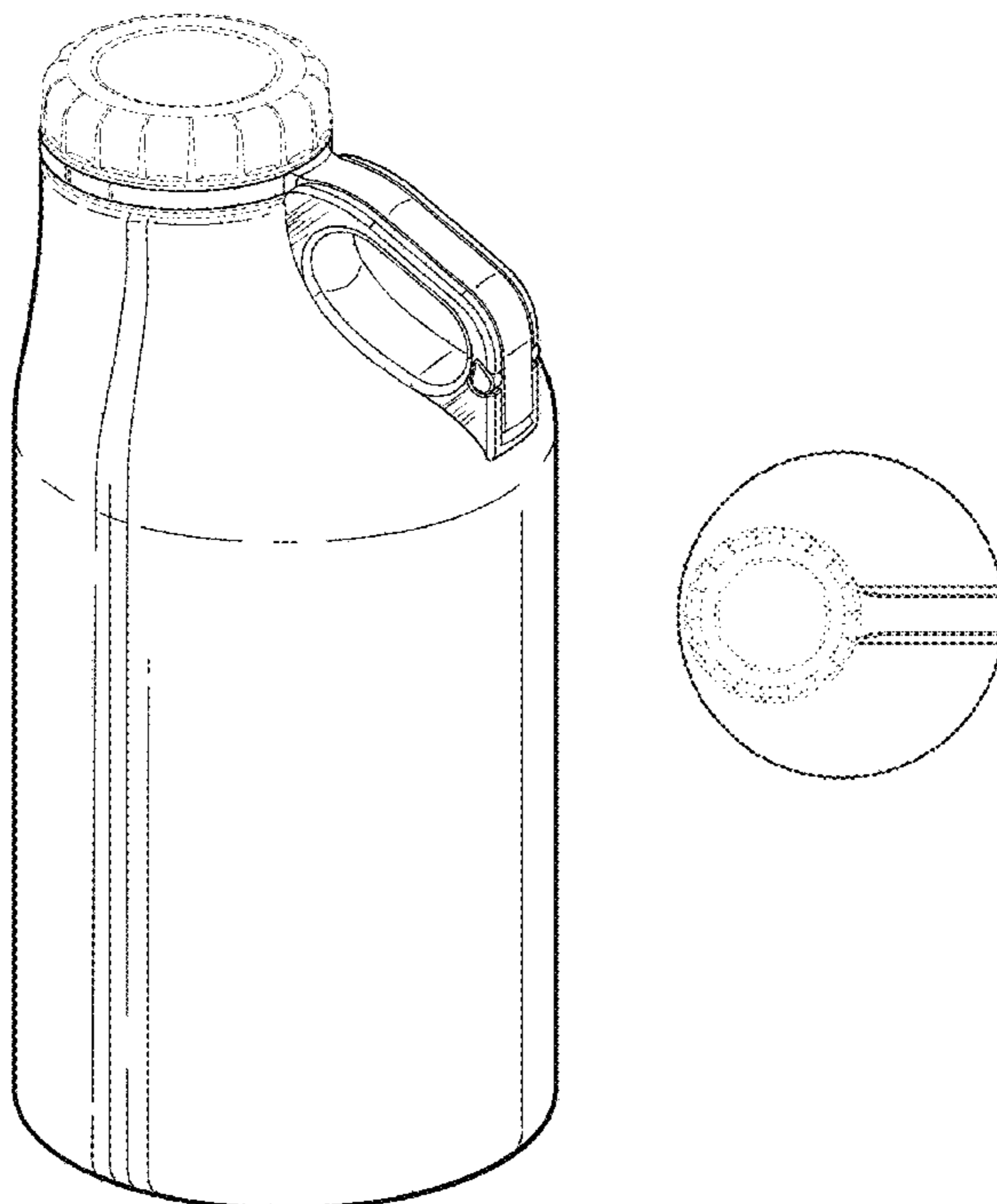
FIG. 3 is a side elevational view of FIG. 1;

FIG. 4 is a top plan view of FIG. 1; and,

FIG. 5 is a bottom plan view of FIG. 1.

The broken lines in the drawings represent unclaimed subject matter and form no part of the claim.

1 Claim, 4 Drawing Sheets



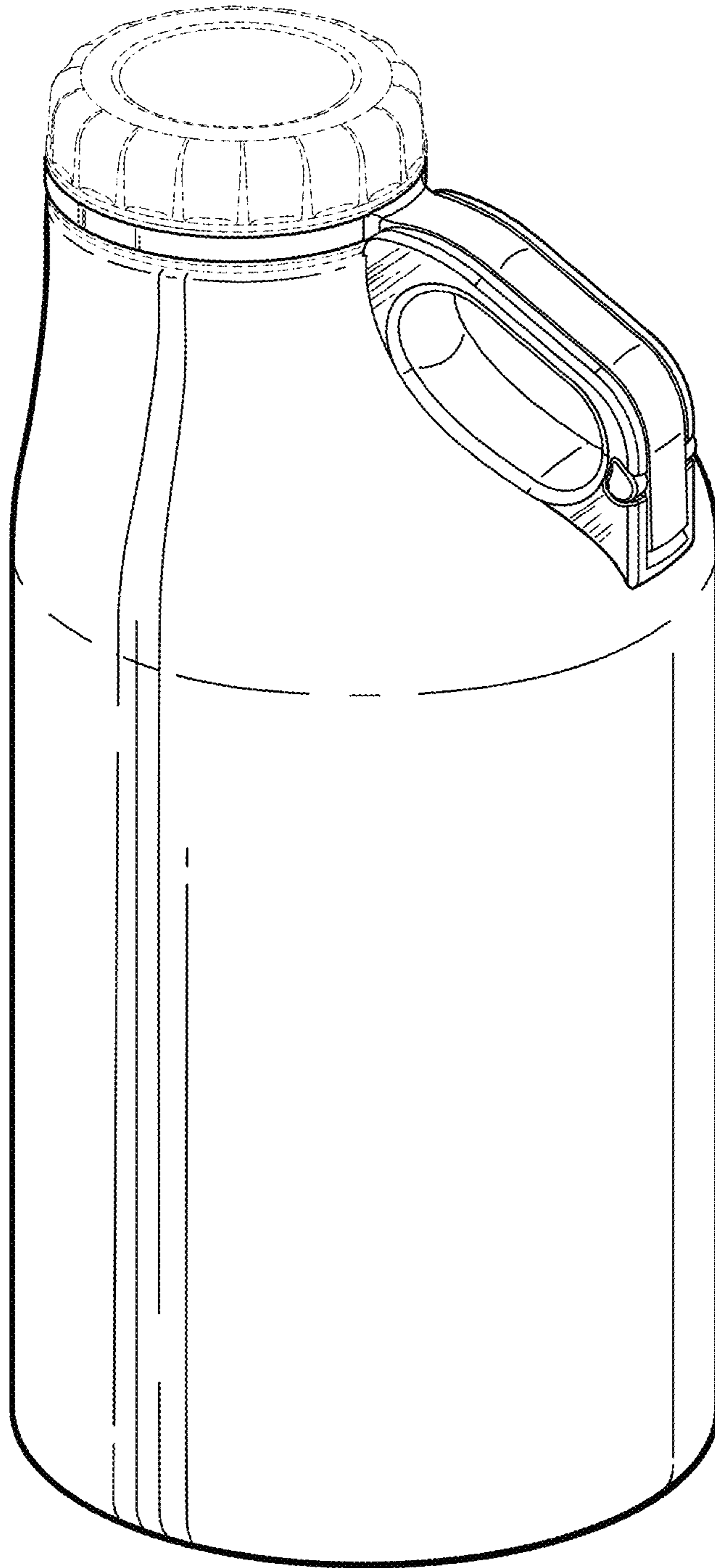


Fig. 1

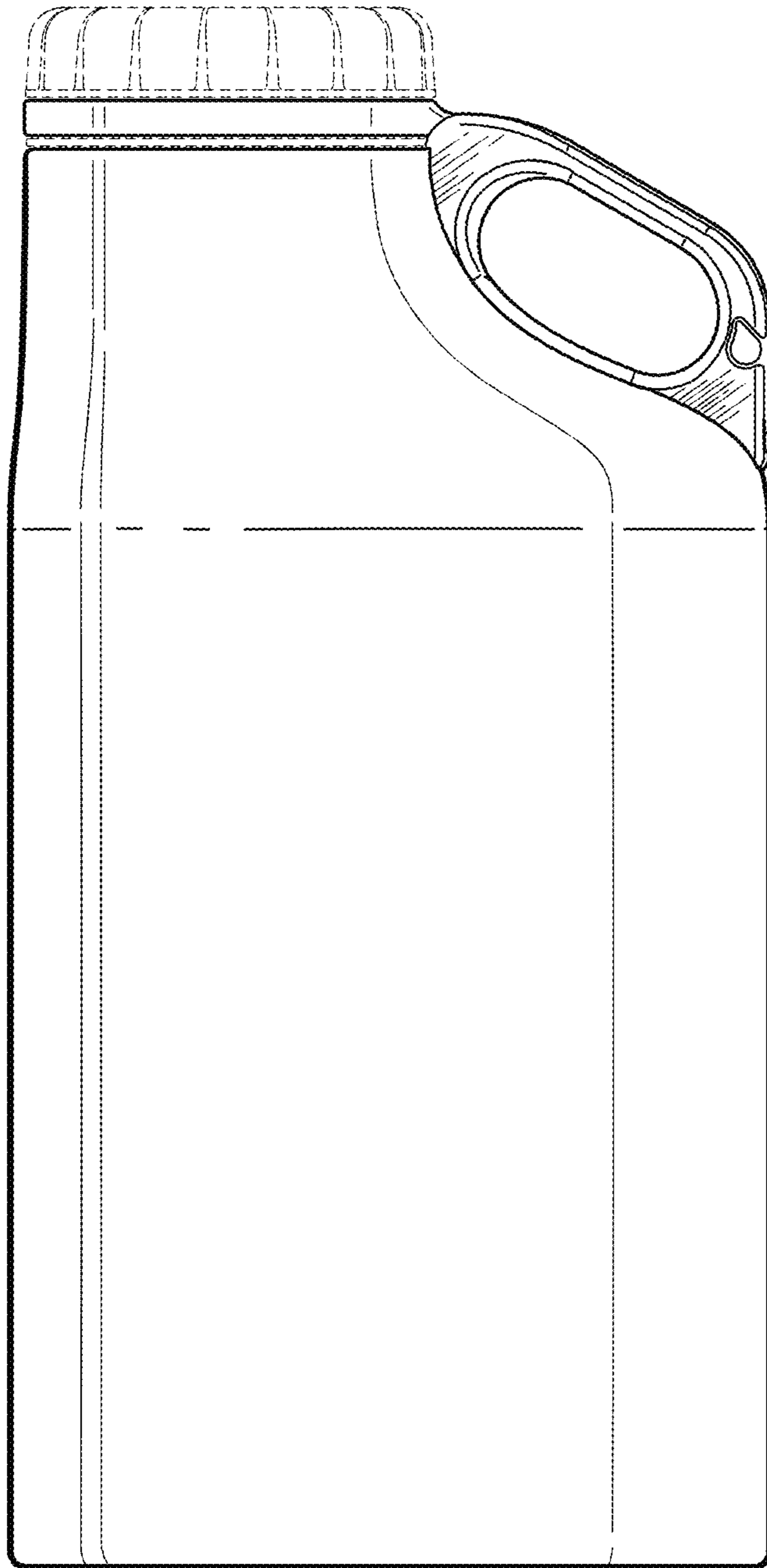


Fig. 2

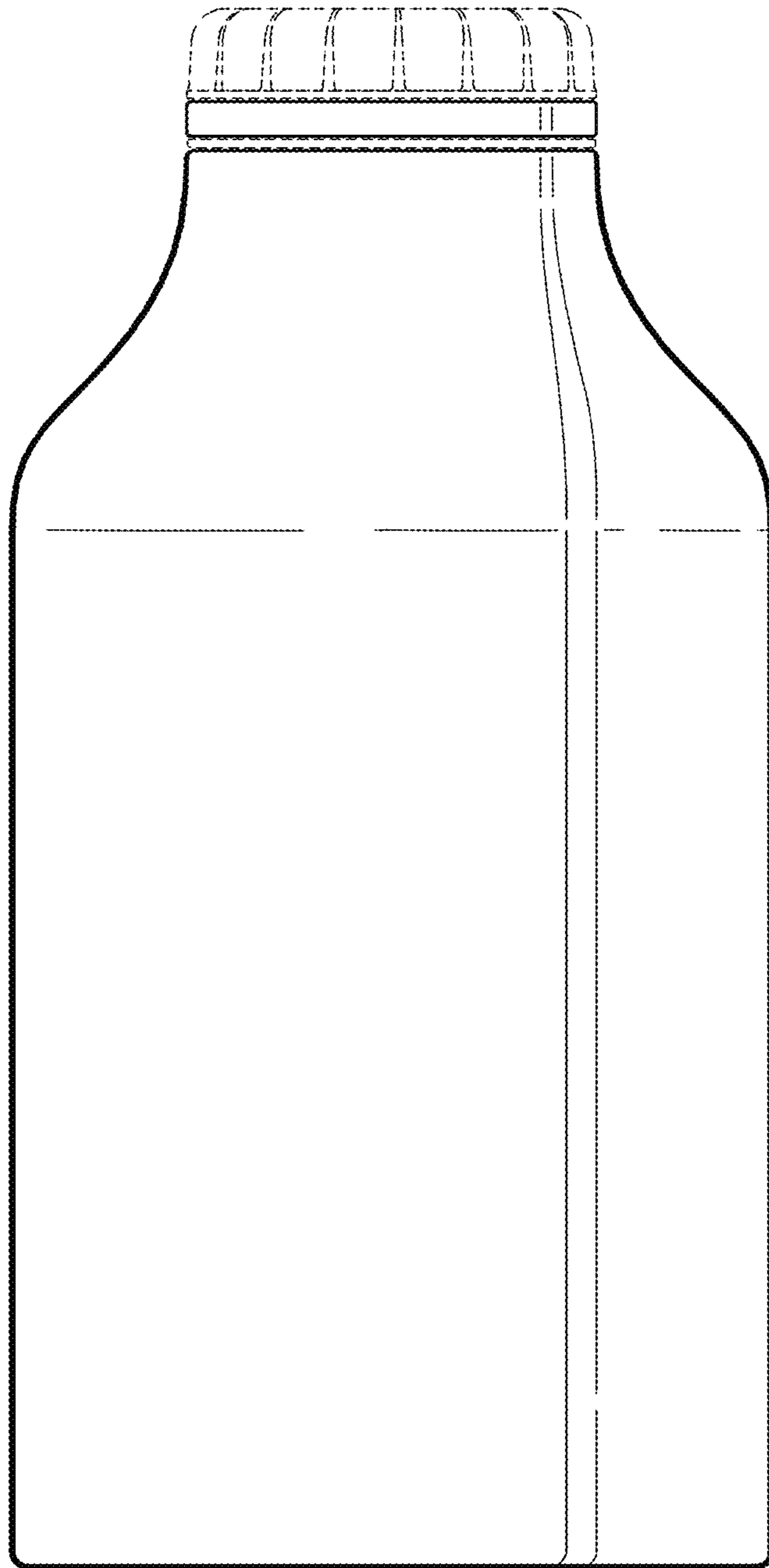


Fig. 3

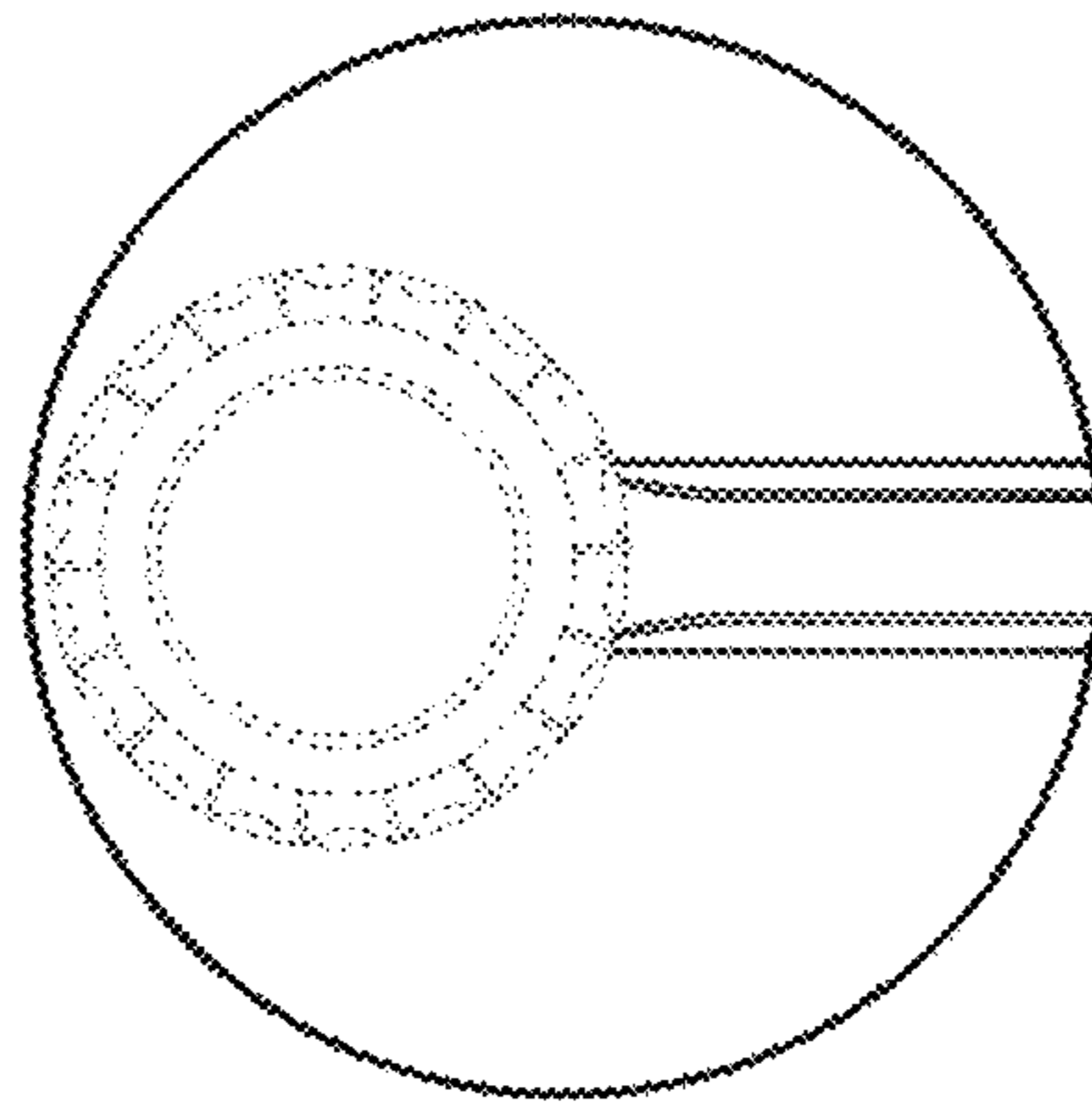


Fig. 4

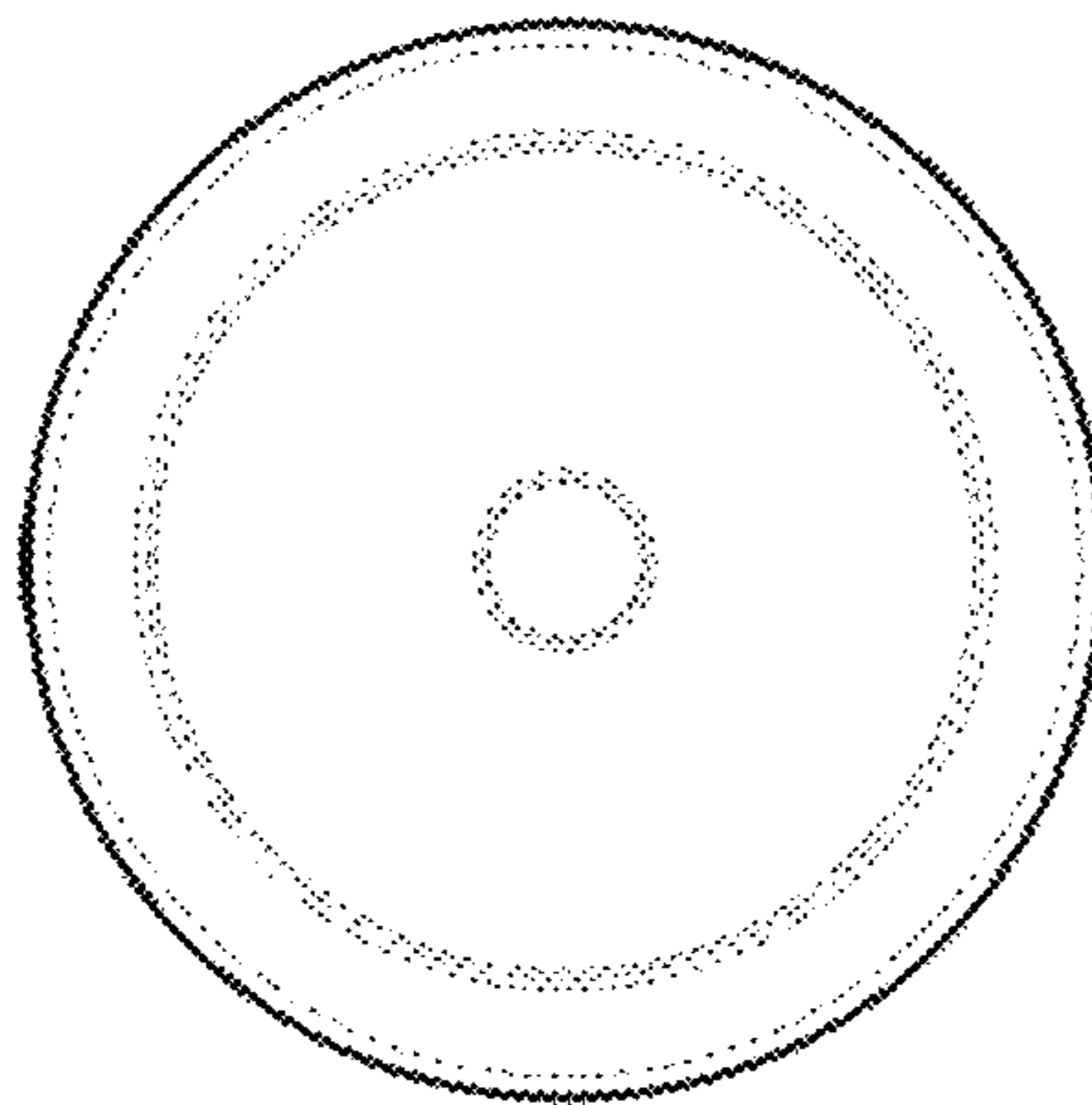


Fig. 5