



US00D807184S

(12) **United States Design Patent**  
**Vazin**

(10) **Patent No.:** **US D807,184 S**  
(45) **Date of Patent:** **\*\* Jan. 9, 2018**

(54) **THREE GALLON BOTTLE WITH HANDLE**

FOREIGN PATENT DOCUMENTS

(71) Applicant: **AMERICAN MADE PLASTIC INC,**  
Riverside, CA (US)

EM 001302202-0001 \* 12/2011  
GB 5000130 \* 11/2015

(Continued)

(72) Inventor: **Moe Vazin,** Riverside, CA (US)

*Primary Examiner* — Catherine Tuttle

(73) Assignee: **American Made Plastic, Inc.,**  
Riverside, CA (US)

*Assistant Examiner* — Mary Malley

(74) *Attorney, Agent, or Firm* — Smyrski Law Group, A  
P.C.

(\*\*) Term: **15 Years**

(21) Appl. No.: **29/555,445**

(57) **CLAIM**

(22) Filed: **Feb. 22, 2016**

The ornamental design for a three gallon bottle with handle,  
as shown and described.

(51) **LOC (11) Cl.** ..... **09-01**

(52) **U.S. Cl.**

USPC ..... **D9/531; D9/560; D9/575**

(58) **Field of Classification Search**

**DESCRIPTION**

USPC ..... D9/435-436, 438, 439, 442, 446-447,  
D9/449, 500-505, 509-511, 513, 516,  
D9/520-523, 526-531, 533, 536-545,  
D9/549-551, 552, 554, 556-560, 565,  
D9/567, 569, 570-575, 600-602,  
D9/655-664, 682, 686, 688-692, 695,  
D9/699, 723-729, 745-746, 774, 776;  
D7/300, 300.1, 540, 601-602; D11/143,  
D11/152, 153; 206/494, 457, 527;  
215/373, 379, 381-385, 370-371, 400,  
215/10, 396, 398; 220/660, 662,  
220/669-673, 675, 890; 229/116.1  
CPC ..... B65D 2501/00; B65D 2501/0009; B65D  
2501/0018; B65D 23/00; B65D 23/10;  
B65D 23/102; B65D 25/28; B65D  
25/2882; B65D 25/2885; B65D 25/2897;  
B65D

FIG. 1 is a top perspective view showing the top, front, and  
right sides of a three gallon bottle with handle;  
FIG. 2 is a bottom perspective view showing the bottom,  
rear, and left sides of the three gallon bottle with handle;  
FIG. 3 is a right side elevation view of the three gallon bottle  
with handle;  
FIG. 4 is a left side elevation view of the three gallon bottle  
with handle;  
FIG. 5 is a front elevation view of the three gallon bottle  
with handle;  
FIG. 6 is a rear elevation view of the three gallon bottle with  
handle;  
FIG. 7 is a top plan view of the three gallon bottle with  
handle; and,  
FIG. 8 is a bottom plan view of the three gallon bottle with  
handle.

(Continued)

The continually spaced broken line portions are included to  
show unclaimed subject matter only and form no part of the  
claimed design. Randomly spaced broken line portions are  
included to show contours in the claimed design. The  
circular dashed lines shown on the bottom surface represent  
a portion of the three gallon bottle with handle that forms no  
part of the claimed design.

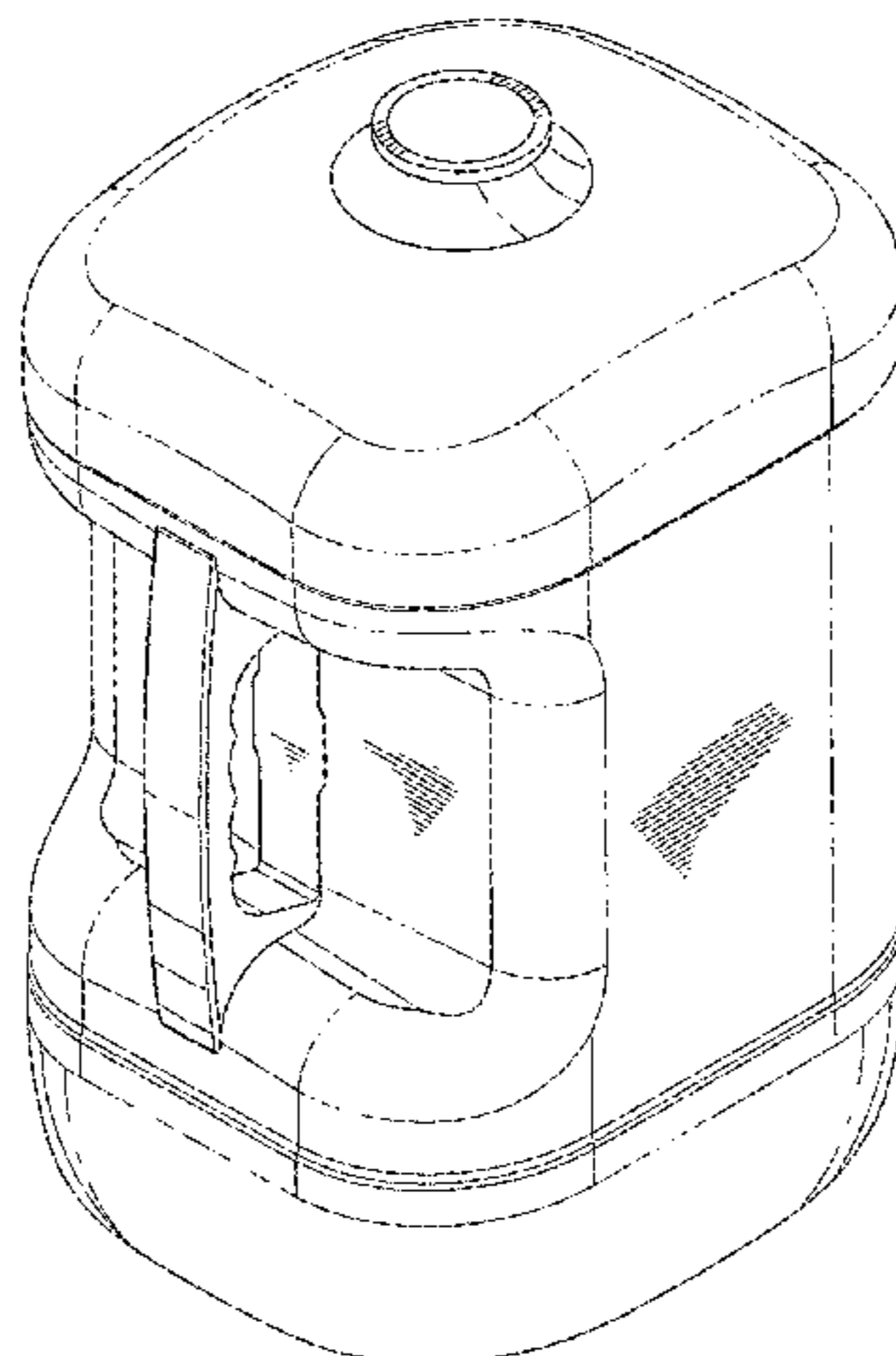
(56) **References Cited**

U.S. PATENT DOCUMENTS

D190,773 S \* 6/1961 Koch ..... D12/218  
D206,407 S \* 12/1966 Sharp ..... D9/531

(Continued)

**1 Claim, 7 Drawing Sheets**



(58) **Field of Classification Search**  
 CPC .... 1/0261; B65D 2203/02; B65D 1/44; B65D  
 2501/0027; B65D 2501/0081; B65D  
 1/0246; B65D 1/0223; B65D 1/32; B65D  
 1/40; B65D 47/0804; B65D 47/0809;  
 B65D 47/0814; A45D 33/00; A45D  
 33/003; A45D 33/006; A45D 33/02;  
 A45D 33/025; A45D 33/18; A45D 33/22;  
 A45D 34/00; A45D 34/02; A45D  
 2034/007; A45D 40/40; A45D 40/0068;  
 A45D 40/0075; A45D 2040/12; A45D  
 2200/05; A45D 2200/051; A45D  
 2200/052; A45D 2200/053

See application file for complete search history.

(56) **References Cited**

U.S. PATENT DOCUMENTS

D224,639	S *	8/1972	Schieser	.....	D9/527
D277,552	S *	2/1985	Kung	.....	D9/524
D282,527	S *	2/1986	Larson	.....	D9/520
4,805,793	A	2/1989	Brandt et al.		
4,969,922	A *	11/1990	Platte, Sr.	.....	B65D 1/0223 215/383
D342,176	S *	12/1993	Steiner	.....	D6/545
D360,830	S *	8/1995	Hestehave	.....	D9/520
D407,020	S	3/1999	Doty		
D408,738	S	4/1999	Wu		
5,927,499	A	7/1999	Vesborg		
D452,956	S *	1/2002	Hari	.....	D9/527
D466,413	S	12/2002	Justice		
6,588,612	B1	7/2003	Dorn et al.		

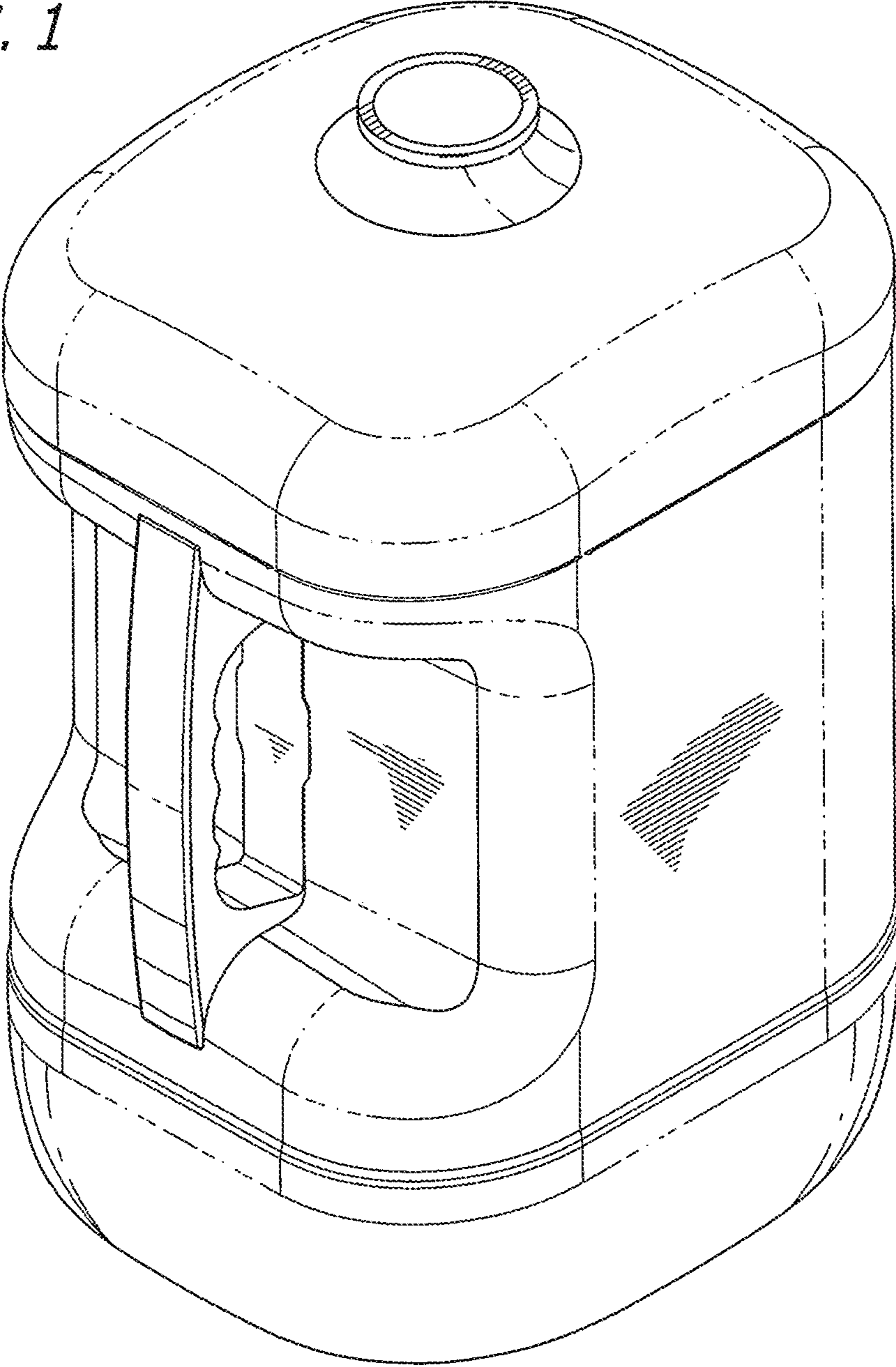
D485,189	S *	1/2004	Montalbano	.....	D9/528
D504,824	S *	5/2005	Darr	.....	B65D 1/18 D9/528
D505,076	S *	5/2005	Logan	.....	D9/528
D512,320	S *	12/2005	Haley	.....	D9/531
D515,940	S	2/2006	Kratko		
D527,639	S *	9/2006	Voss	.....	B65D 1/18 D9/528
D528,425	S *	9/2006	Van Dorin	.....	D9/524
D532,694	S	11/2006	Darr et al.		
D559,111	S *	1/2008	Reimann	.....	D9/531
D581,271	S	11/2008	Laupie		
7,699,171	B2	4/2010	Rivera et al.		
8,047,392	B2	11/2011	Eiten et al.		
D672,657	S	12/2012	Hall		
D690,203	S	9/2013	Hall et al.		
8,746,453	B1	6/2014	Hall et al.		
D764,295	S *	8/2016	Gieske	.....	D9/527
D769,123	S *	10/2016	Hegarty	.....	D9/527
2005/0236414	A1 *	10/2005	Darr	.....	B65D 1/18 220/608
2006/0000740	A1	1/2006	Sigur		
2006/0037930	A1 *	2/2006	Darr	.....	B65D 1/0223 215/396
2009/0266782	A1	10/2009	Lane		
2013/0213846	A1	8/2013	Hendrickson et al.		
2014/0263383	A1 *	9/2014	Gieske	.....	B65D 25/2894 220/771

FOREIGN PATENT DOCUMENTS

GB	4042850	*	12/2015
RU	00097918	*	4/2016

\* cited by examiner

*FIG. 1*





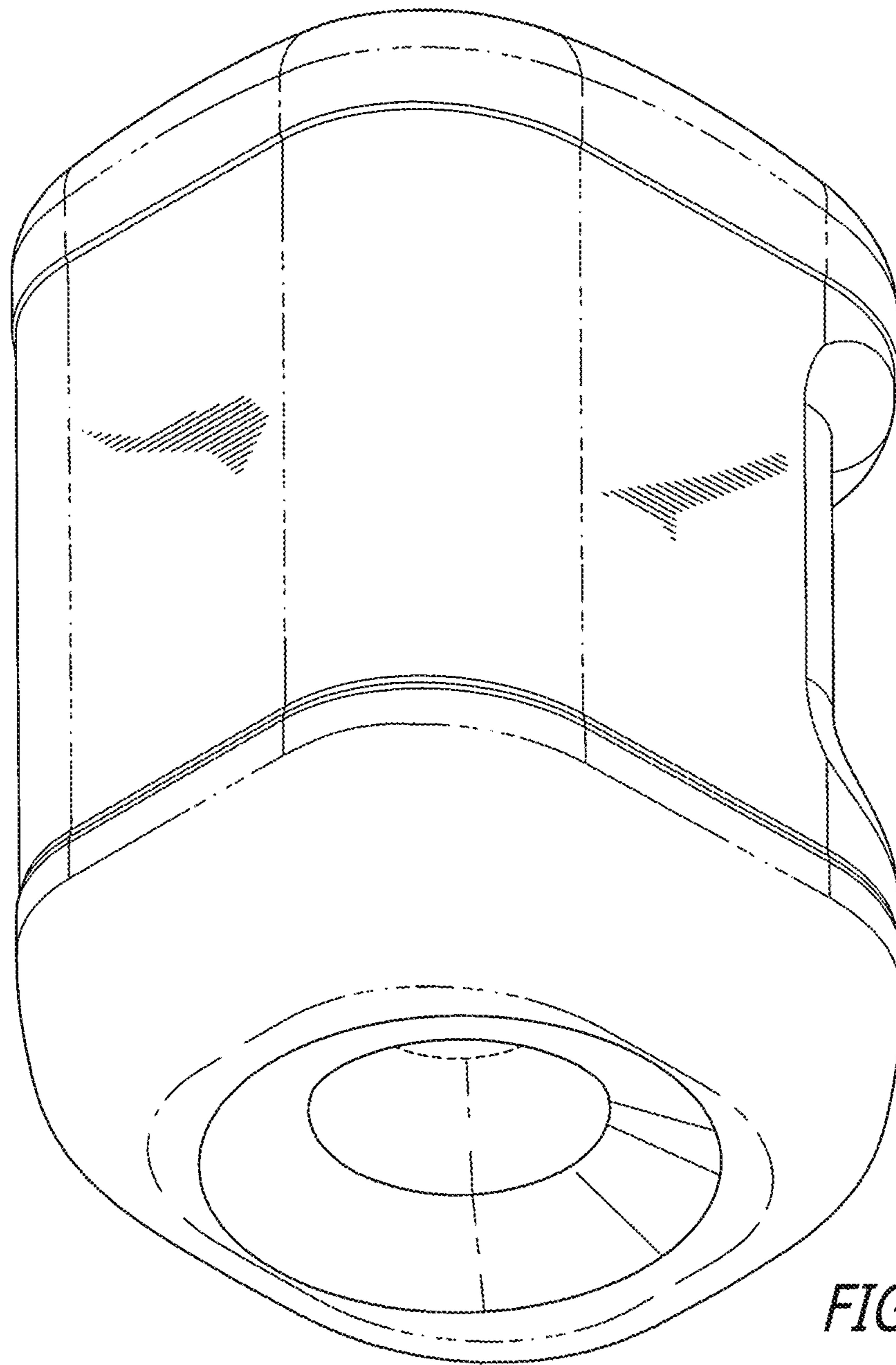
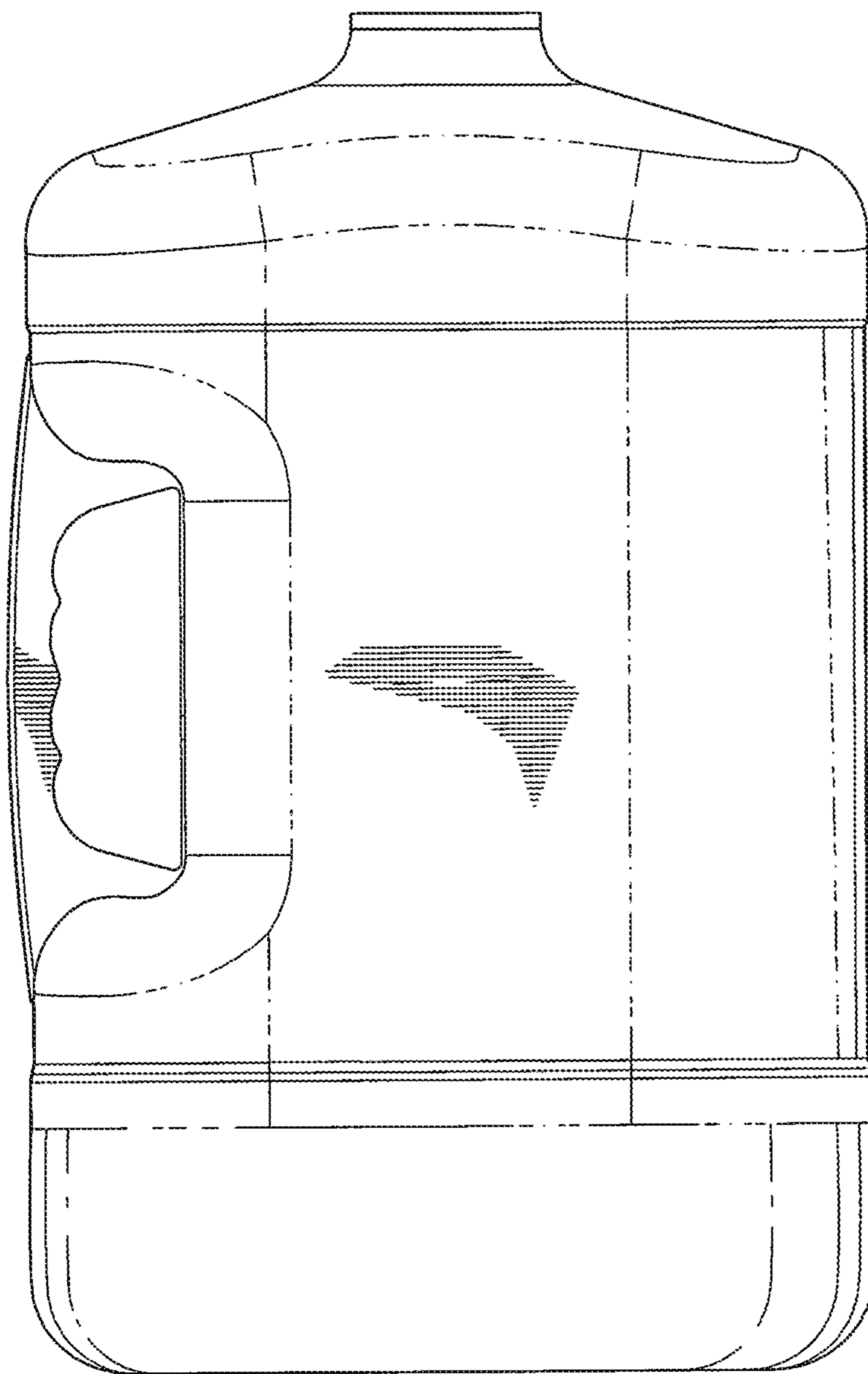


FIG. 2



*FIG. 3*

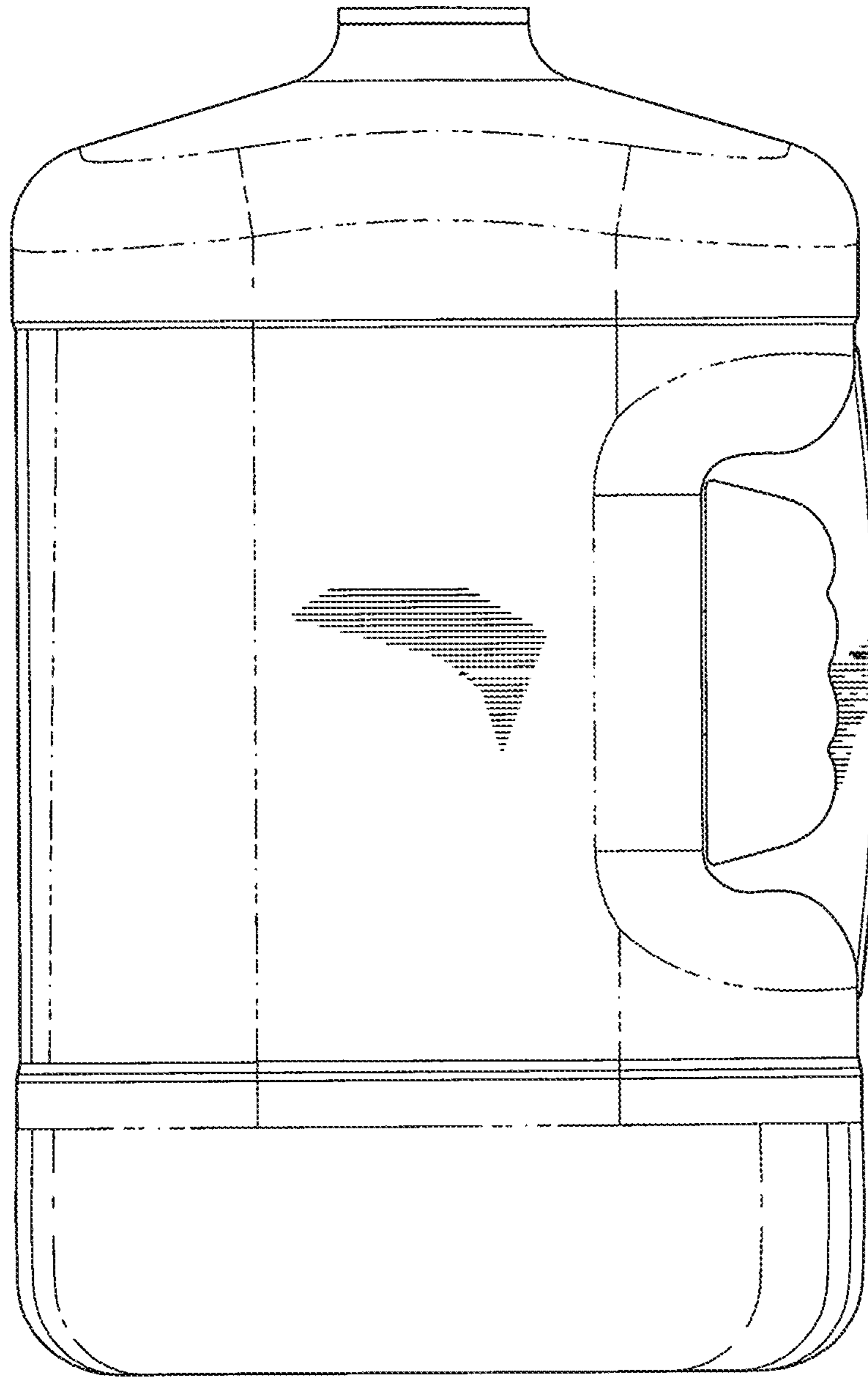


FIG. 4

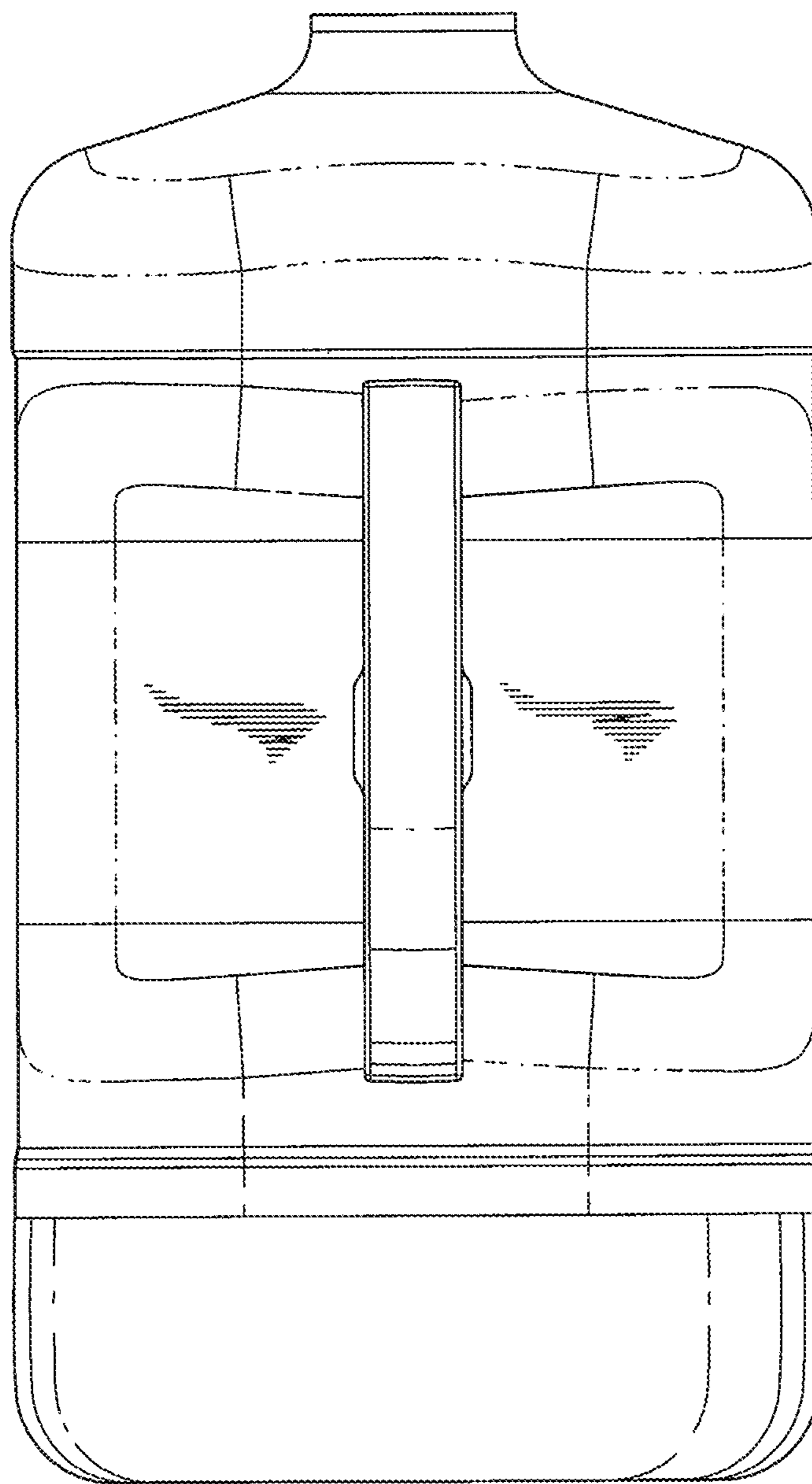
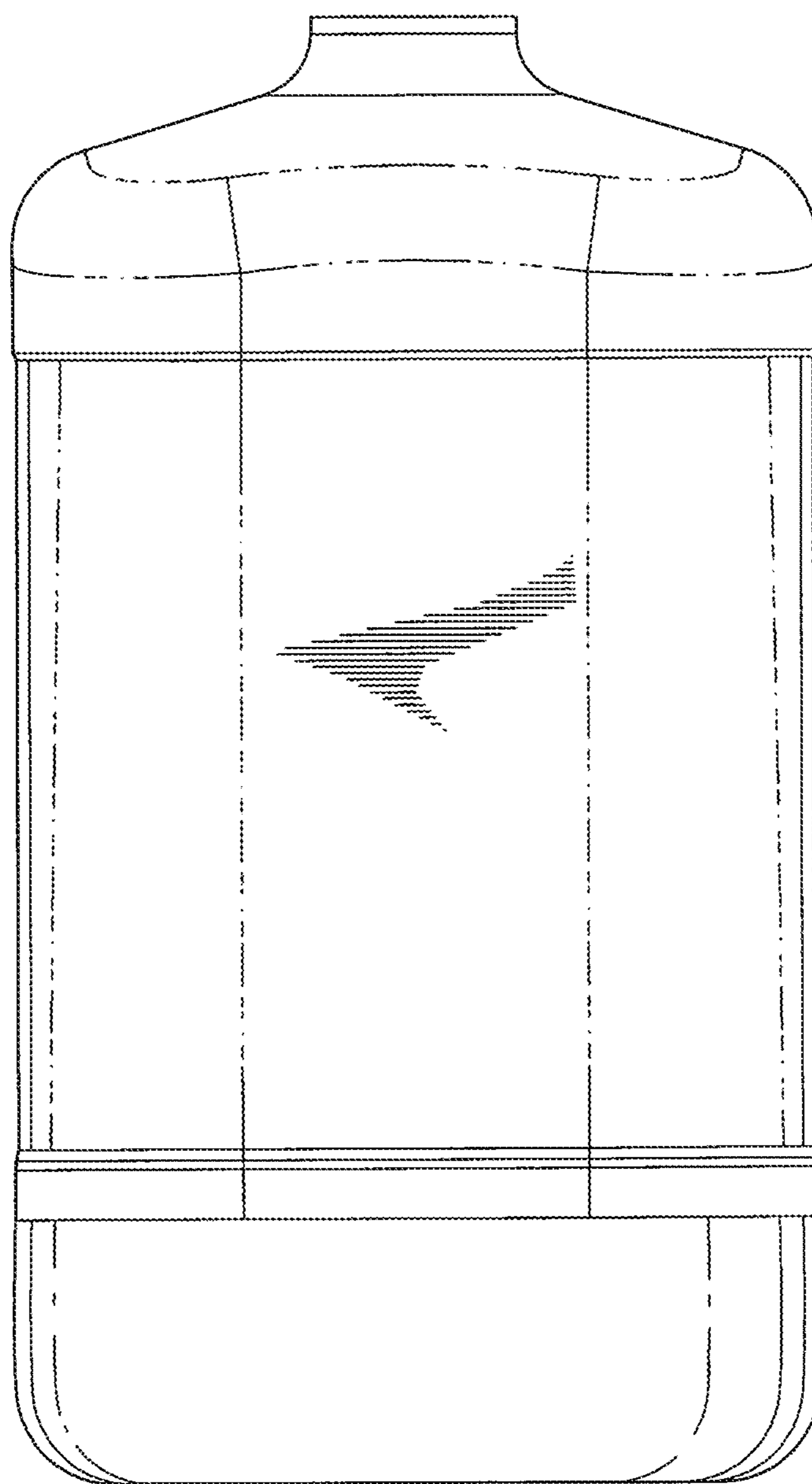


FIG. 5



*FIG. 6*



FIG. 7

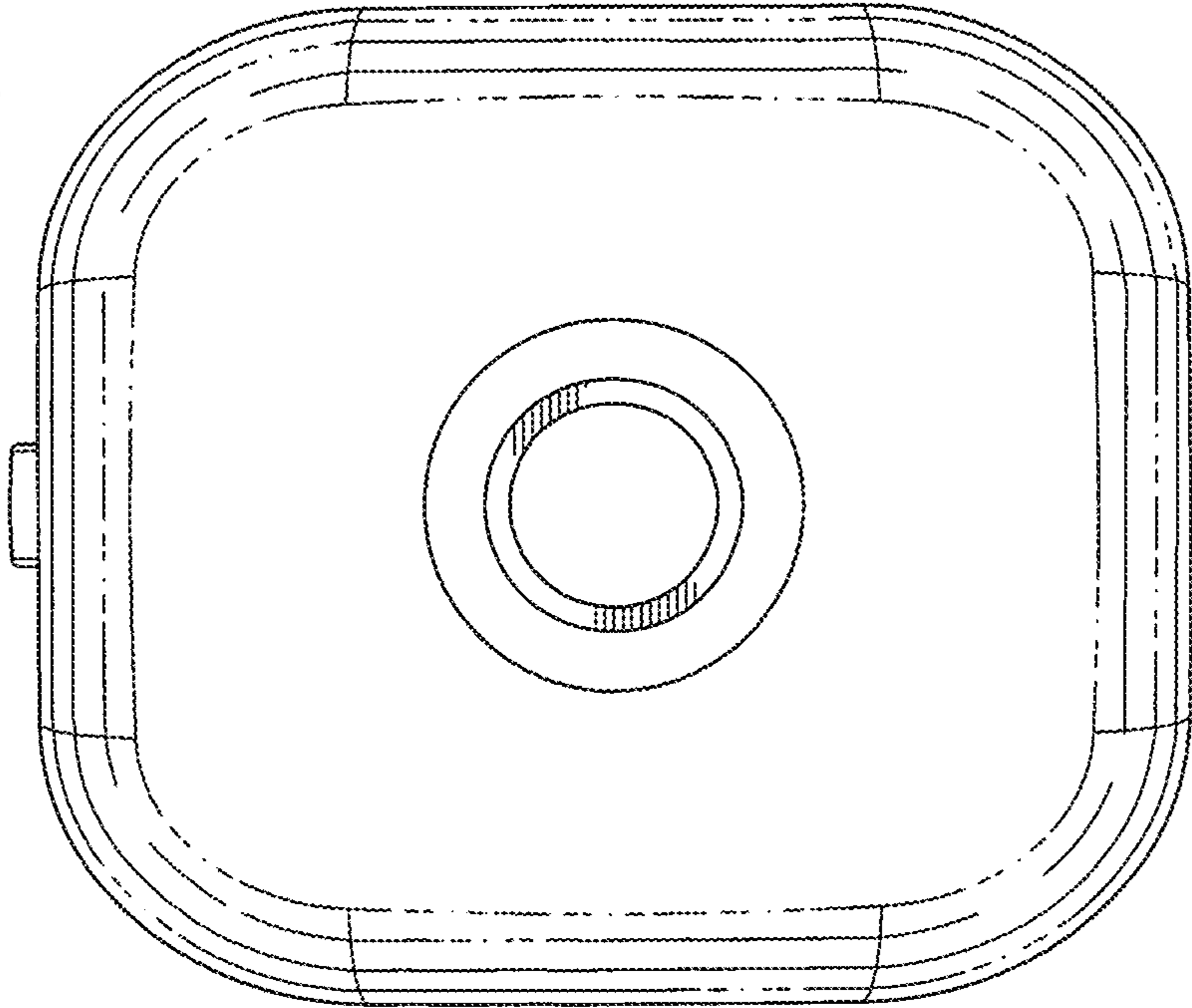


FIG. 8

