



US00D807183S

(12) **United States Design Patent** (10) **Patent No.:** **US D807,183 S**  
**Ferrone** (45) **Date of Patent:** **\*\* Jan. 9, 2018**

(54) **BOTTLE**  
(71) Applicant: **FFERRONE DESIGN, LTD.**, Chicago, IL (US)  
(72) Inventor: **Felicia Ferrone**, Chicago, IL (US)  
(73) Assignee: **fferrone design, ltd.**, Chicago, IL (US)  
(\*\*) Term: **15 Years**  
(21) Appl. No.: **29/570,850**  
(22) Filed: **Jul. 12, 2016**

D398,240 S \* 9/1998 Willardson ..... D9/523  
D406,064 S \* 2/1999 Vitor Alexandre ..... D9/545  
5,988,460 A 11/1999 Brecheisen et al.  
6,070,753 A 6/2000 Hirst et al.  
D469,017 S \* 1/2003 Mauro ..... D9/522  
D511,104 S \* 11/2005 Akopyan ..... D9/522  
D512,329 S \* 12/2005 Akopyan ..... D9/522  
D554,509 S 11/2007 Ghalebi  
D564,886 S 3/2008 Ghalebi  
D604,620 S \* 11/2009 Rica ..... D9/522  
D604,621 S \* 11/2009 Rica ..... D9/522

(Continued)

**OTHER PUBLICATIONS**

VETROelite.com—Slank Distillery Bottle, <http://vetroelite.com/it/i-nostri-prodotti/58-SLANK> (accessed Feb. 12, 2016).

*Primary Examiner* — Susan Bennett Hattan  
*Assistant Examiner* — Leanne Was-Englehart  
(74) *Attorney, Agent, or Firm* — McAndrews, Held & Malloy, Ltd.

**Related U.S. Application Data**

(63) Continuation of application No. 29/484,334, filed on Mar. 7, 2014, now Pat. No. Des. 761,109.  
(51) **LOC (11) Cl.** ..... **09-01**  
(52) **U.S. Cl.**  
USPC ..... **D9/523**  
(58) **Field of Classification Search**  
USPC ..... D3/202; D6/542; D7/300, 303, 316, D7/500, 509, 566, 601, 602, 619.1; D9/516, 519, 520, 522, 523, 530, 544, D9/545, 549, 738; D24/121, 224; D32/25, 30, 45; 215/10, 382–384, 396, 215/398, 400; 220/660, 662, 669  
CPC ..... B65D 1/0223; B65D 21/023  
See application file for complete search history.

(57) **CLAIM**

The ornamental design for a bottle, as shown and described.

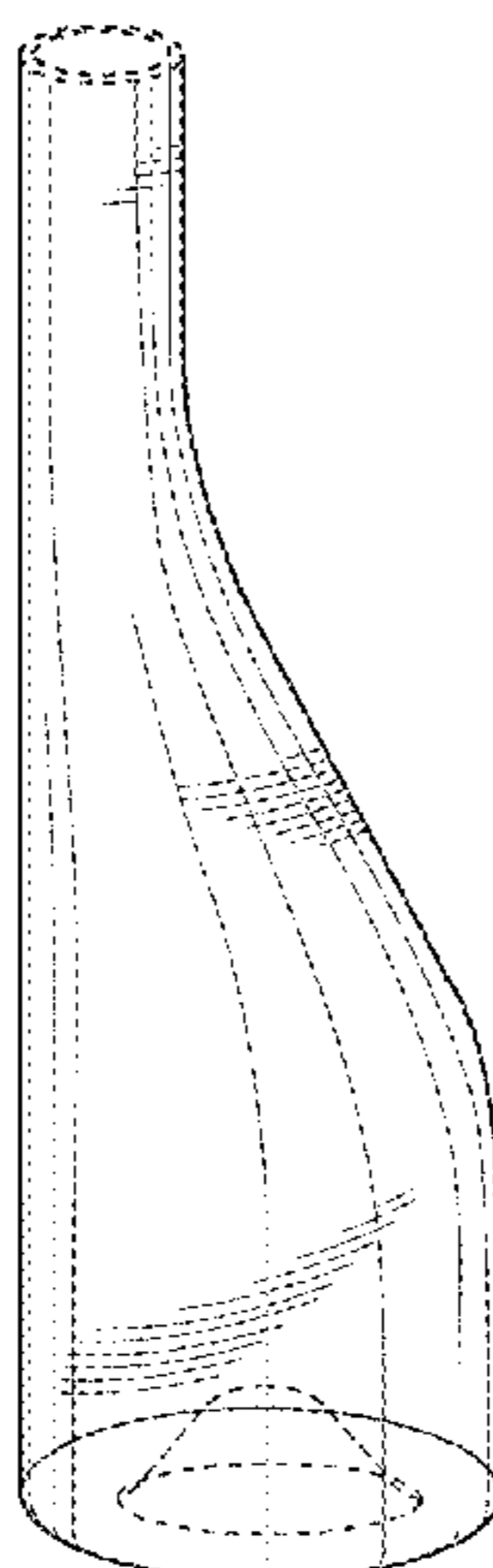
**DESCRIPTION**

FIG. 1 is a front left perspective view of a bottle showing my new design;  
FIG. 2 is a front right perspective view thereof;  
FIG. 3 is a front elevation view thereof;  
FIG. 4 is a rear elevation view thereof;  
FIG. 5 is a right elevation view thereof;  
FIG. 6 is a left elevation view thereof;  
FIG. 7 is a top plan view thereof; and,  
FIG. 8 is a bottom plan view thereof.  
The broken lines in the drawings illustrate portions of the bottle that form no part of the claimed design.  
Views of the bottle not shown in the figures form no part of the claimed design.

(56) **References Cited**  
U.S. PATENT DOCUMENTS

844,579 A \* 2/1907 Clements ..... B65D 1/0223  
215/382  
1,773,291 A 8/1930 Weaver  
D166,380 S \* 4/1952 De Sa Cardoso ..... D9/528  
D166,454 S \* 4/1952 De Sa Cardoso ..... D9/523  
D233,979 S \* 12/1974 Latorre ..... D9/523  
D256,554 S 8/1980 Beaver

**1 Claim, 2 Drawing Sheets**



(56)

**References Cited**

U.S. PATENT DOCUMENTS

D642,018	S *	7/2011	Zamarripa .....	D7/300.1
8,777,029	B2	7/2014	Paredes et al.	
D761,109	S *	7/2016	Ferrone .....	D9/523
2010/0314388	A1 *	12/2010	Gibson .....	B65D 81/3288 220/4.28
2010/0326952	A1	12/2010	Corliss	
2015/0072059	A1 *	3/2015	Zaczek .....	C12H 1/14 426/474
2015/0251793	A1 *	9/2015	Ferrone .....	B65D 21/023 215/10

\* cited by examiner

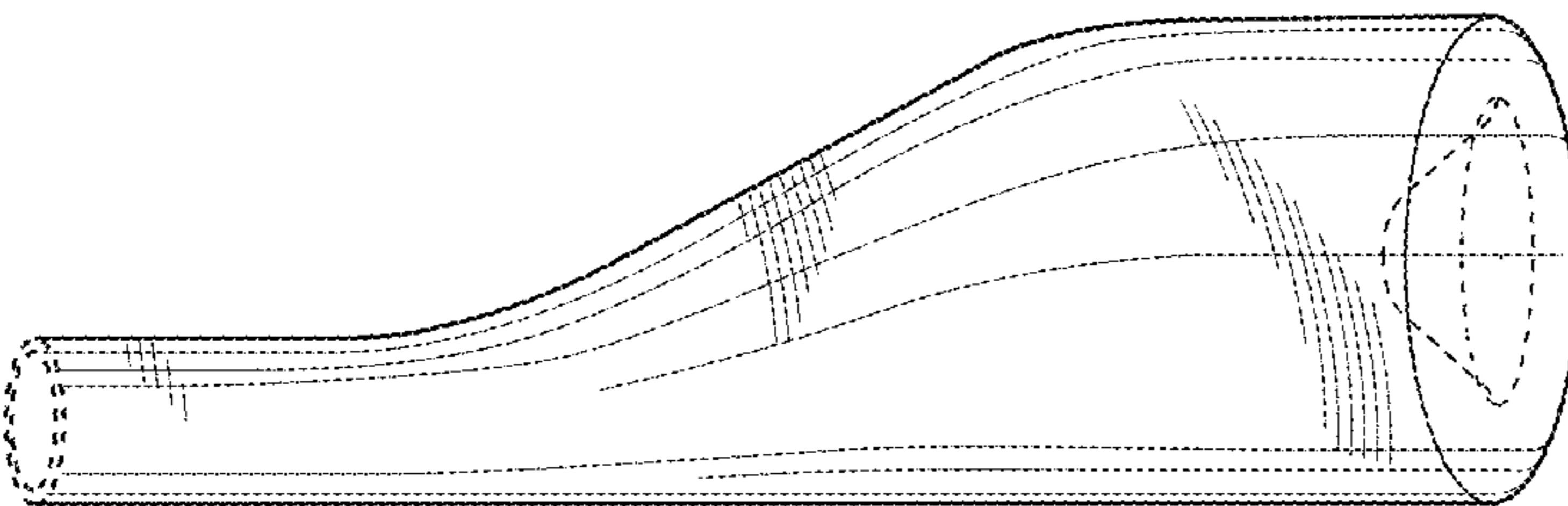


Figure 1

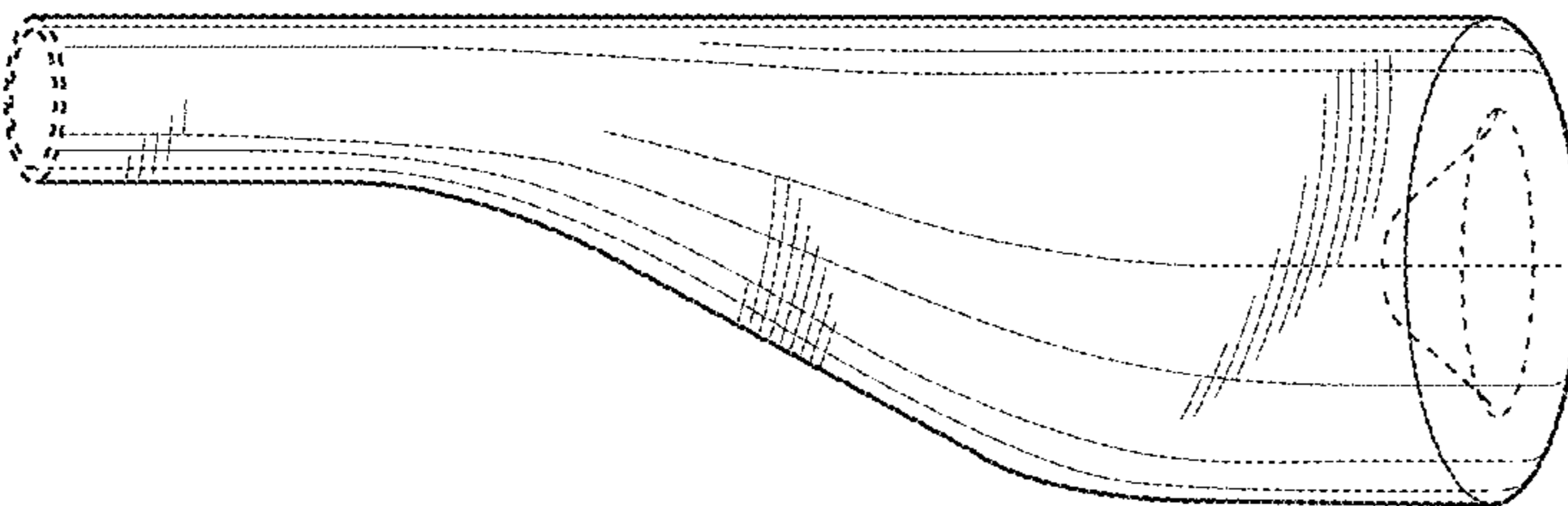


Figure 2

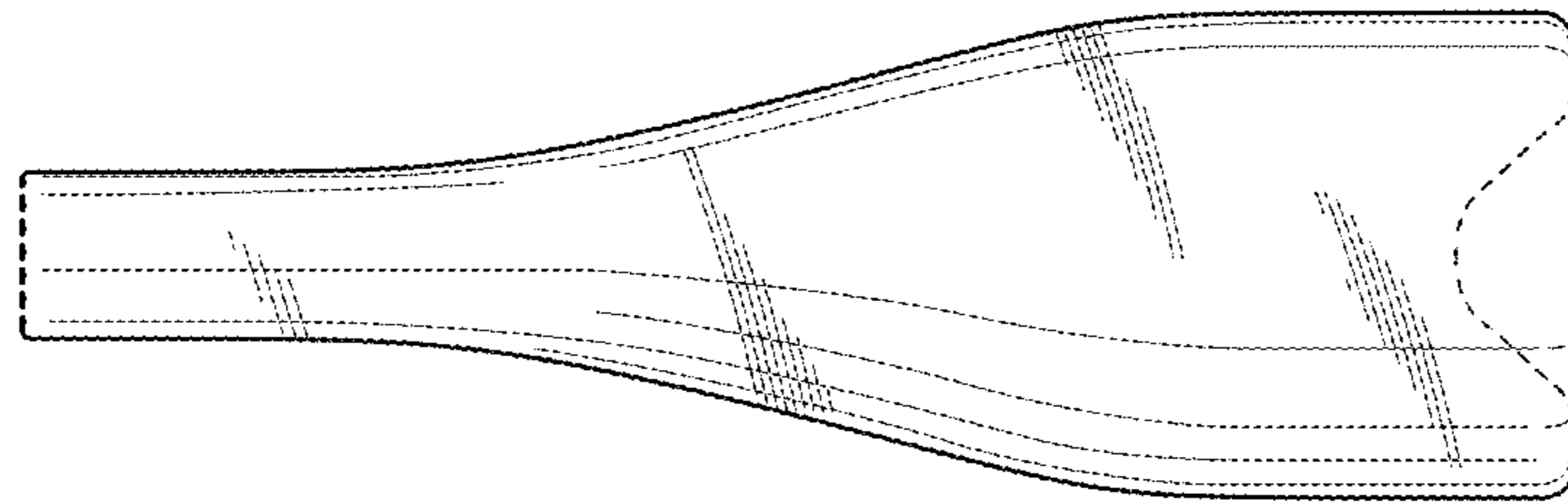


Figure 3

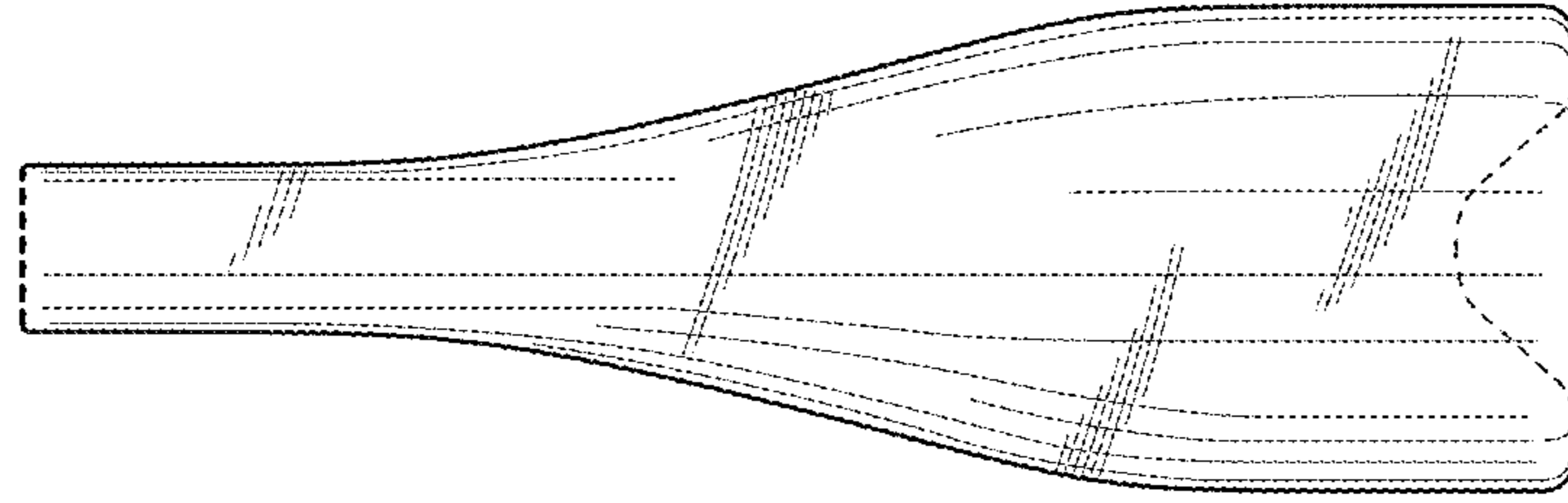


Figure 4

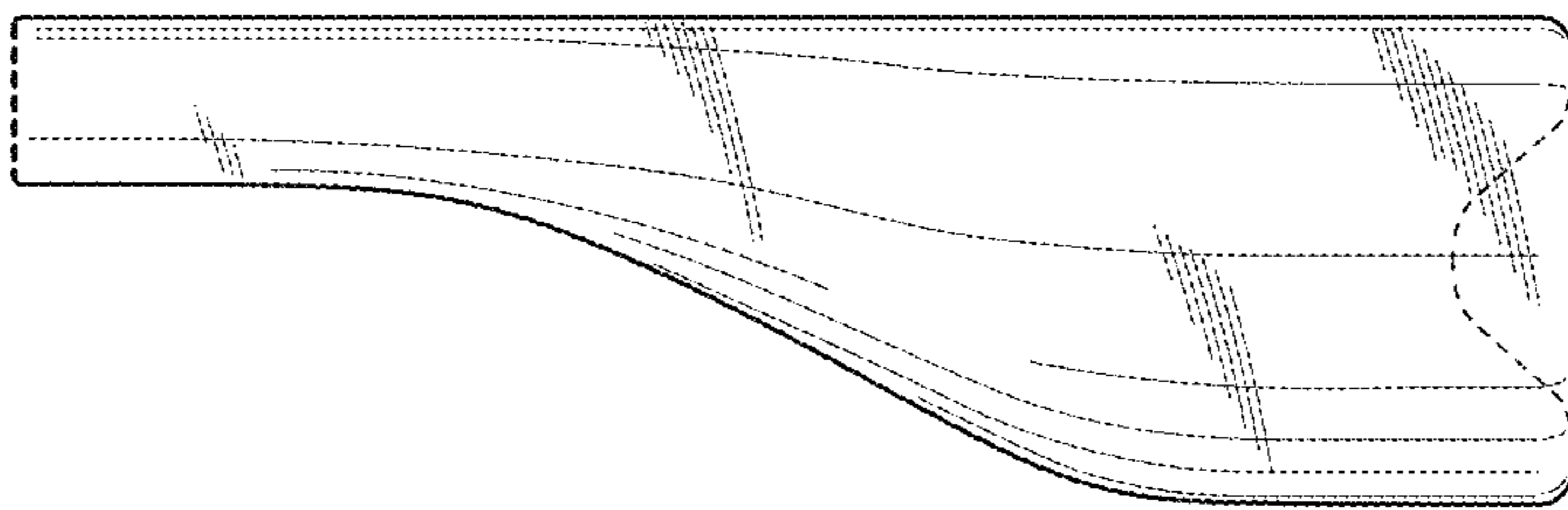


Figure 5

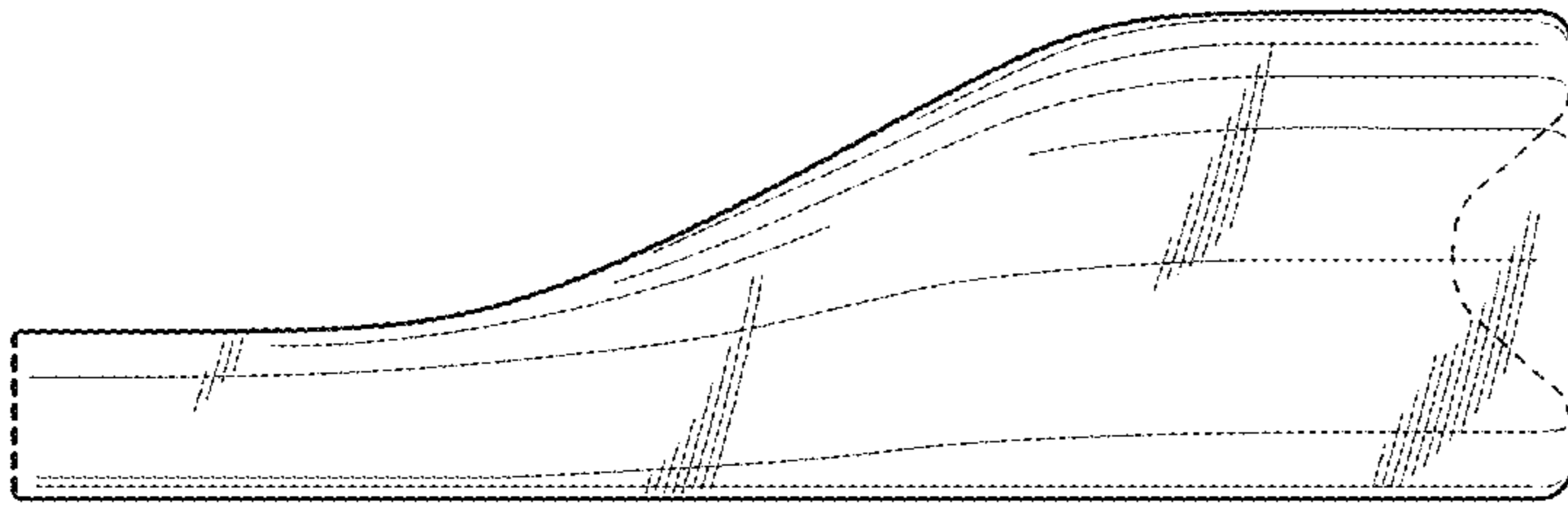


Figure 6

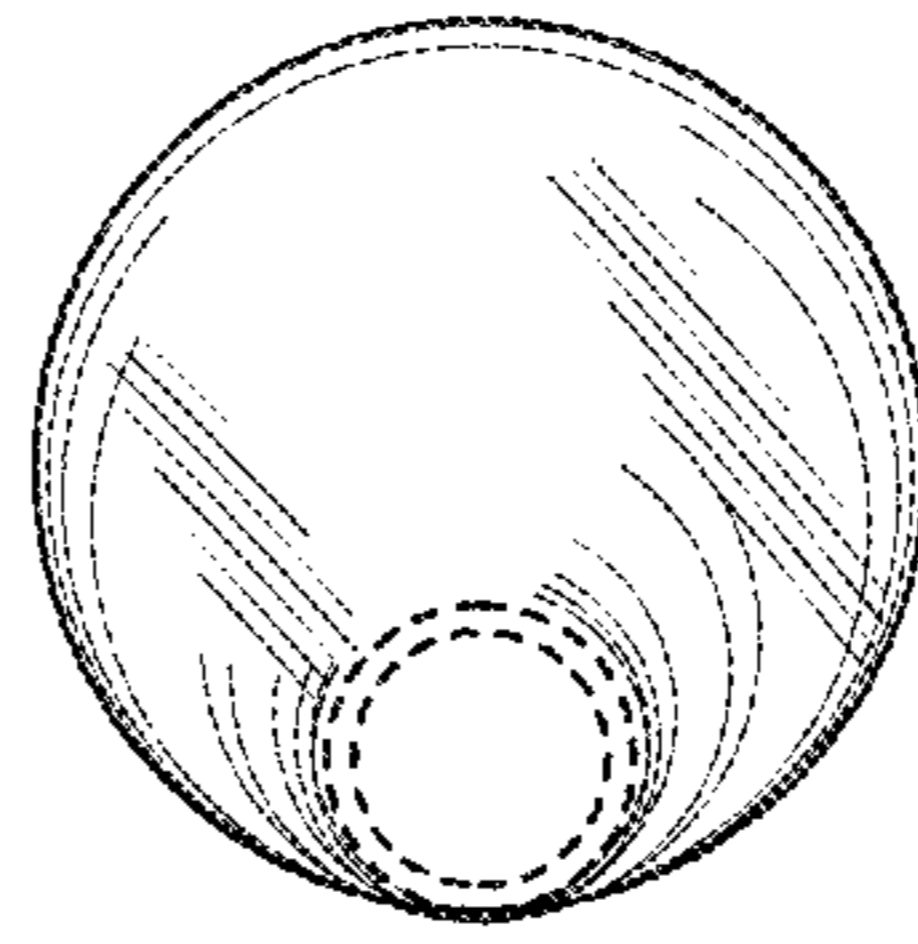


Figure 7

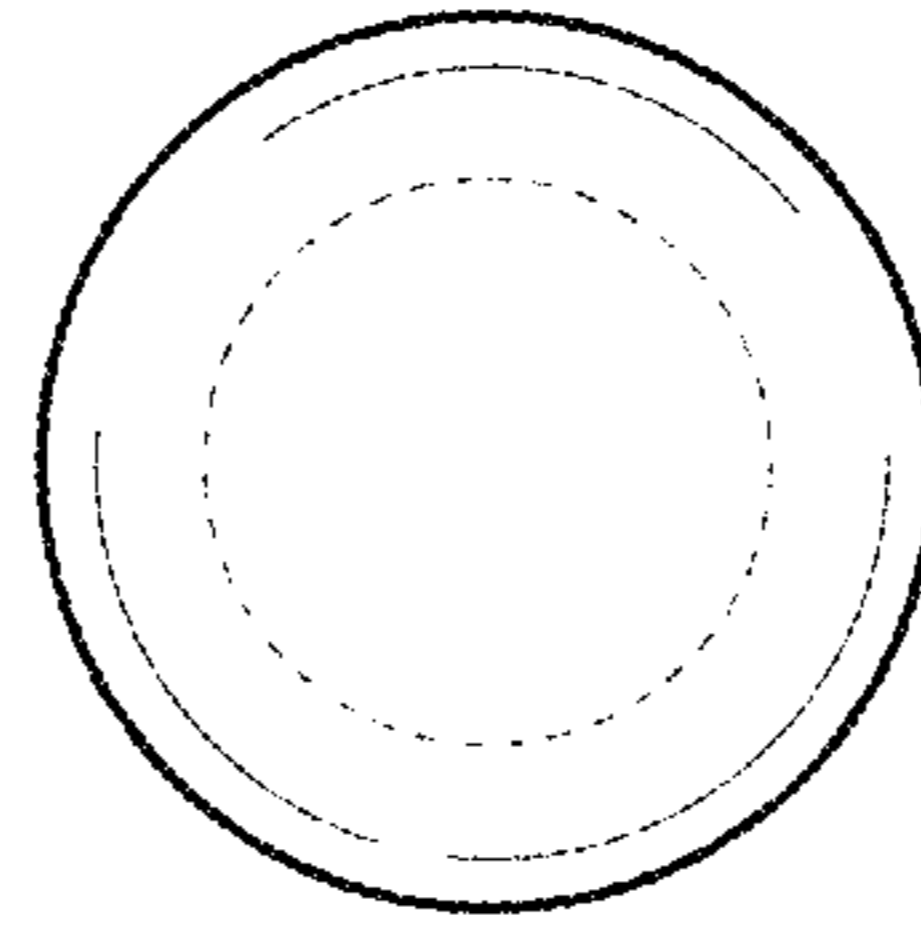


Figure 8