



US00D807181S

(12) **United States Design Patent** (10) **Patent No.:** **US D807,181 S**
Xie (45) **Date of Patent:** **** Jan. 9, 2018**

(54) **PRODUCT DISPENSER** 4,523,717 A * 6/1985 Schwab A01M 31/008
206/225
(71) Applicant: **WM. WRIGLEY JR. COMPANY,** 4,615,442 A * 10/1986 Beeken A47K 10/3836
Chicago, IL (US) 206/389
(72) Inventor: **Xiaorui Xie,** Guangzhou (CN) 5,437,410 A * 8/1995 Babasade A61L 9/042
206/0.7
(73) Assignee: **WM. WRIGLEY JR. COMPANY,** D386,338 S * 11/1997 Hadtke D6/516
Chicago, IL (US) D420,236 S * 2/2000 Parkes D6/515
D464,888 S * 10/2002 Slater D9/529
D467,106 S * 12/2002 Bohay A47K 10/3818
D6/523
(**) Term: **15 Years** D467,811 S * 12/2002 Slater D9/529
D474,377 S * 5/2003 Holsinger D7/615
(21) Appl. No.: **29/551,004** (Continued)

(22) Filed: **Jan. 8, 2016**

FOREIGN PATENT DOCUMENTS

(30) **Foreign Application Priority Data**
Jul. 9, 2015 (CN) 2015 3 0243842
(51) **LOC (11) Cl.** **09-01**
(52) **U.S. Cl.**
USPC **D9/504**
(58) **Field of Classification Search**
USPC D6/515-523, 545; 206/225, 233, 389,
206/391; 211/13.1; 221/26, 33,
221/282-283; 242/570, 590; 222/173,
222/180; 248/309.1, 309.2, 905; D34/1,
D34/7, 9; D9/504, 414, 420, 423, 428,
D9/435, 447, 449, 454, 500, 503, 516,
D9/530, 537, 539, 549, 557, 558, 715,
D9/716, 763, 772, 776-780; D7/601,
D7/602, 608, 624.3, 629
CPC G07F 17/32; G07F 17/3244; G07F 9/26;
G07F 11/002; G06Q 30/02; B65D 1/00;
B65D 1/02; B65D 1/10; B65D 1/0223;
B65D 1/243; B65D 23/00; B65D 81/00;
B65D 2501/00; B65D 2501/0009
See application file for complete search history.

CN 302972198 10/2014
Primary Examiner — David G Muller
Assistant Examiner — Nathan M Johnston

(57) **CLAIM**

The ornamental design for a product dispenser, as shown and described.

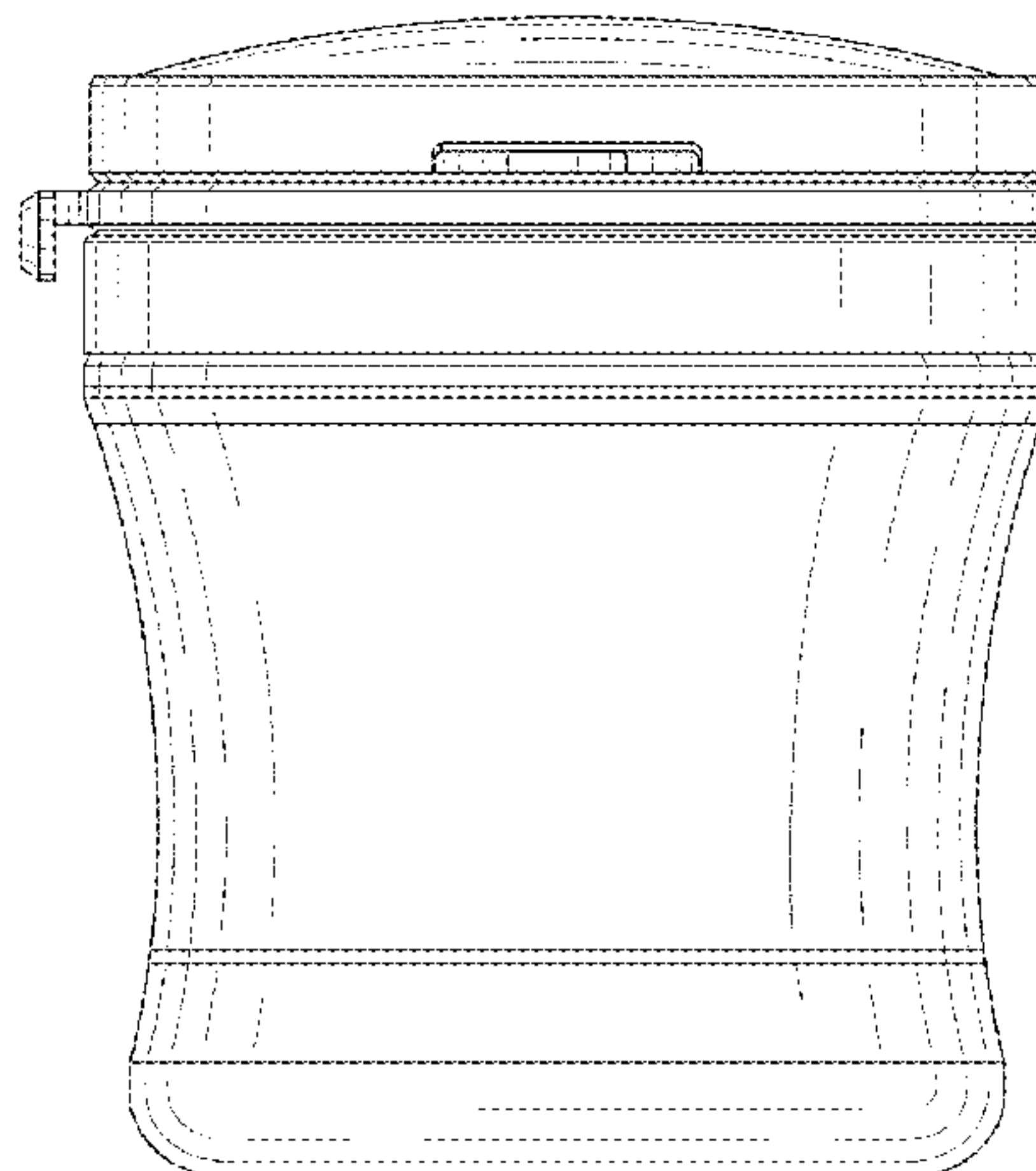
DESCRIPTION

FIG. 1 is a front elevation view showing my new design for a product dispenser;
FIG. 2 is a rear elevation view thereof;
FIG. 3 is a right side elevation view thereof;
FIG. 4 is a left side elevation view thereof;
FIG. 5 is a top plan view thereof;
FIG. 6 is a bottom plan view thereof; and,
FIG. 7 is a front, right side perspective view thereof.
The broken lines shown in the drawings are included for the purpose of illustrating portions of the product dispenser and form no part of the claimed design.

(56) **References Cited**
U.S. PATENT DOCUMENTS

3,355,061 A * 11/1967 Ritter B65D 43/0212
206/389
4,219,129 A * 8/1980 Sedgwick A47K 10/3818
118/43

1 Claim, 4 Drawing Sheets



(56)

References Cited

U.S. PATENT DOCUMENTS

D477,483 S * 7/2003 Brown A47K 17/00
D6/524
D478,753 S * 8/2003 Hall D6/523
D495,544 S * 9/2004 Tan D6/515
D511,917 S * 11/2005 Borchardt D6/515
D525,874 S * 8/2006 Kipperman D9/529
D528,919 S * 9/2006 Kipperman D9/529
D530,616 S * 10/2006 Kipperman D9/529
D539,655 S * 4/2007 Kipperman D9/529
D546,694 S * 7/2007 Penfold D9/529
D552,993 S * 10/2007 Rathbone D9/504
D644,518 S * 9/2011 Howell D9/435
8,602,257 B2 * 12/2013 Godsell B60N 3/101
206/225
2006/0289321 A1 * 12/2006 Karfias A45C 11/16
206/413
2012/0168554 A1 * 7/2012 Blunt B65D 85/04
242/588.2
2012/0199601 A1 * 8/2012 Sawa G01N 33/48757
221/1

* cited by examiner

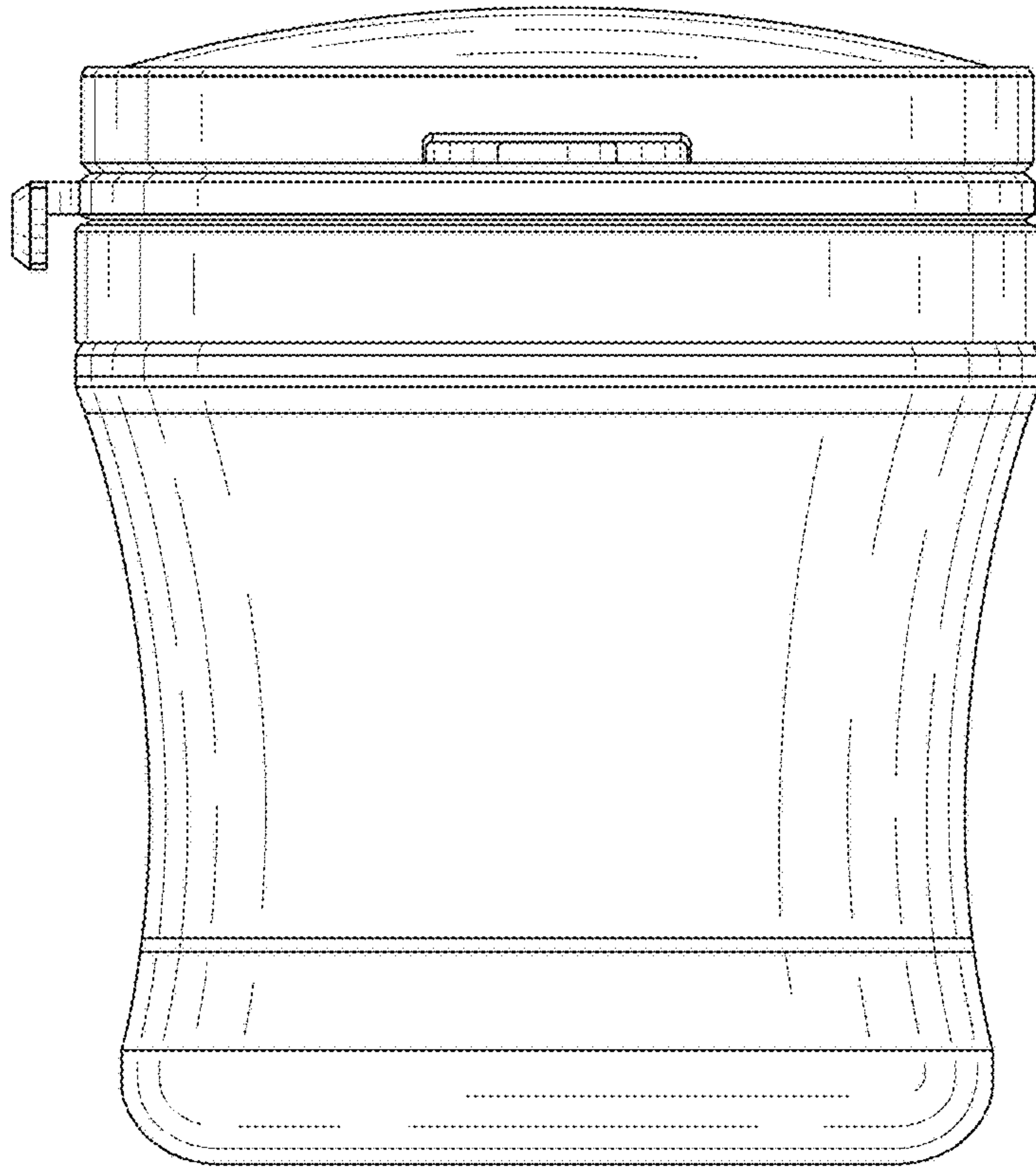


FIG. 1

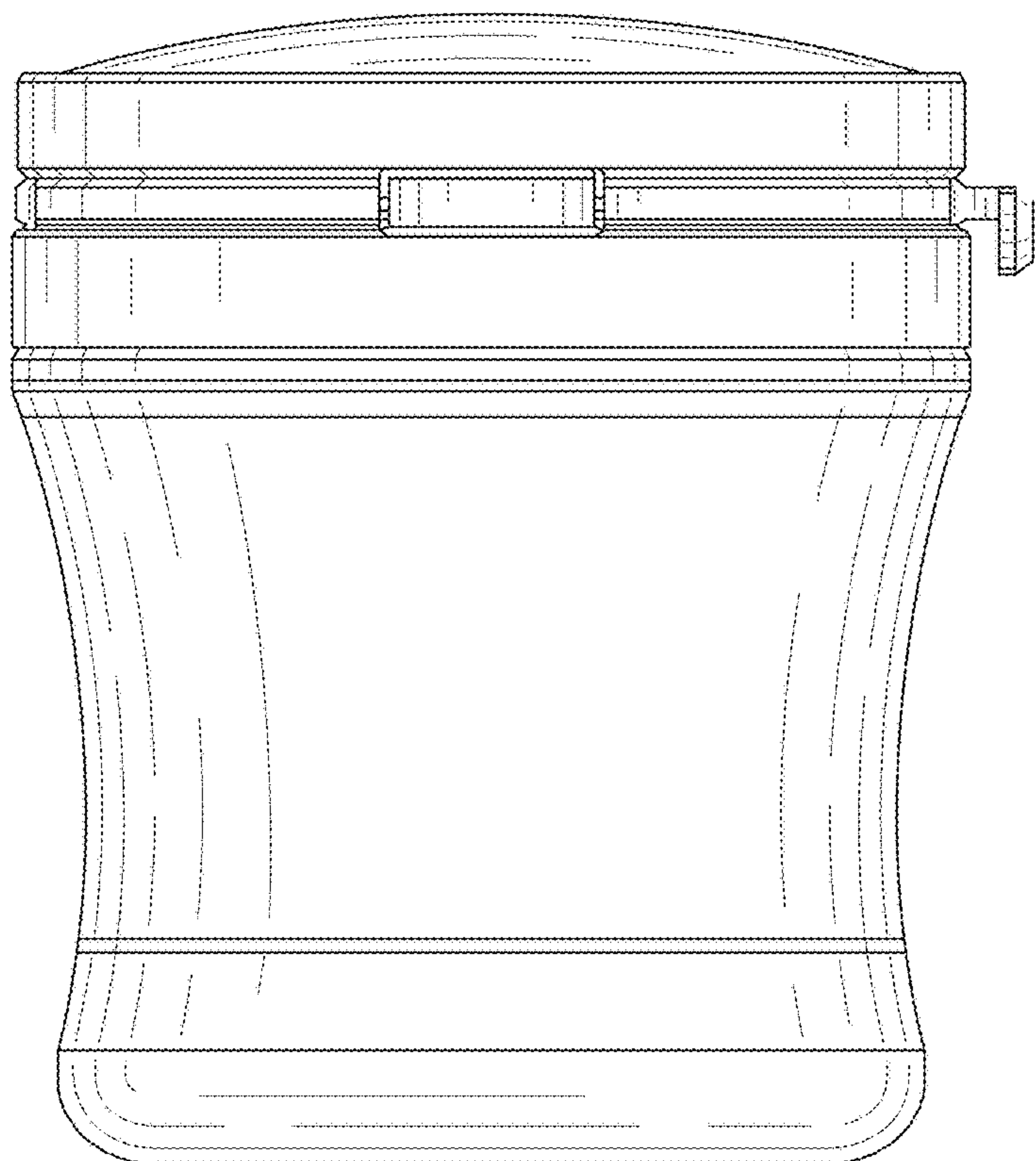


FIG. 2

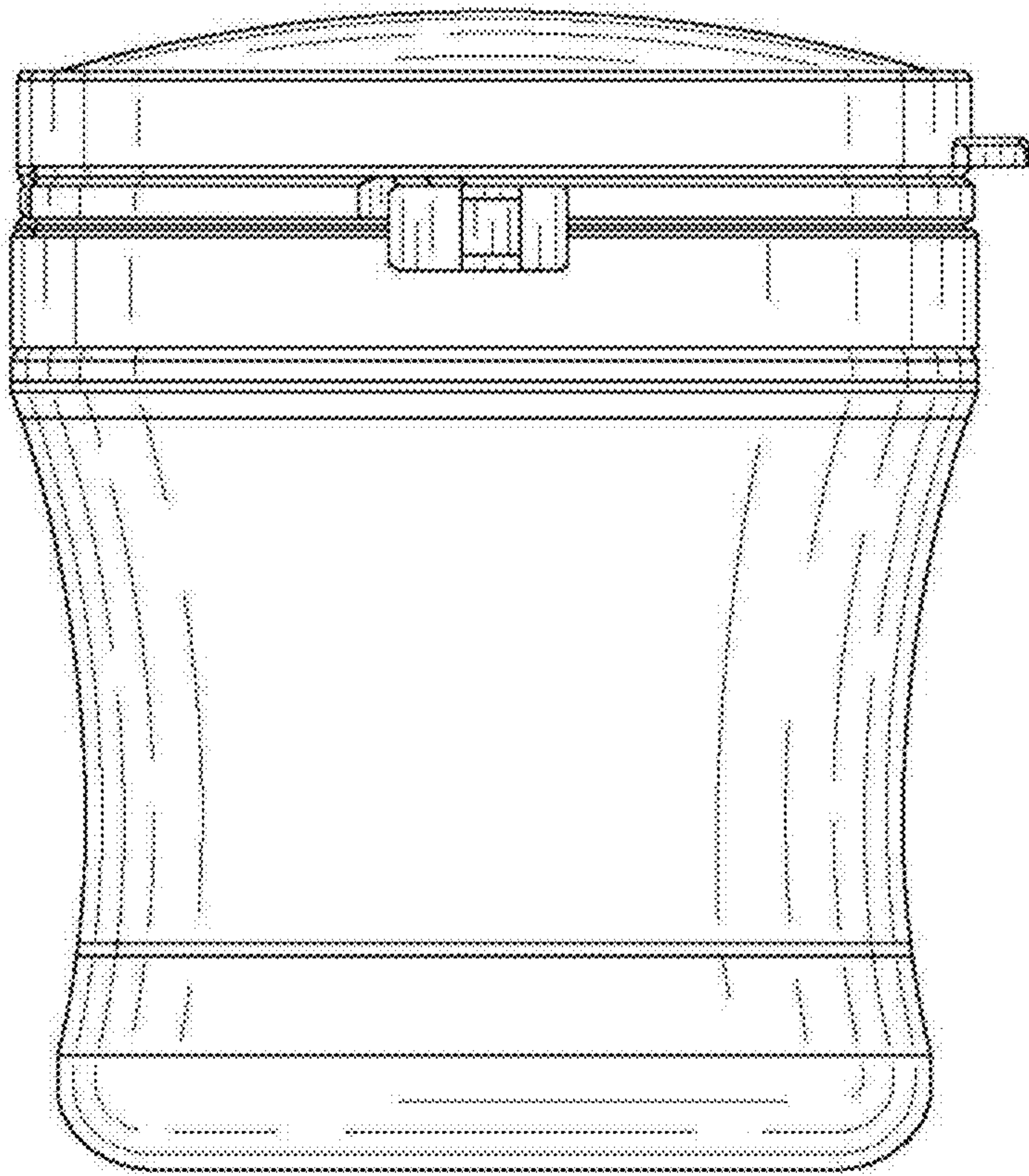


FIG. 3

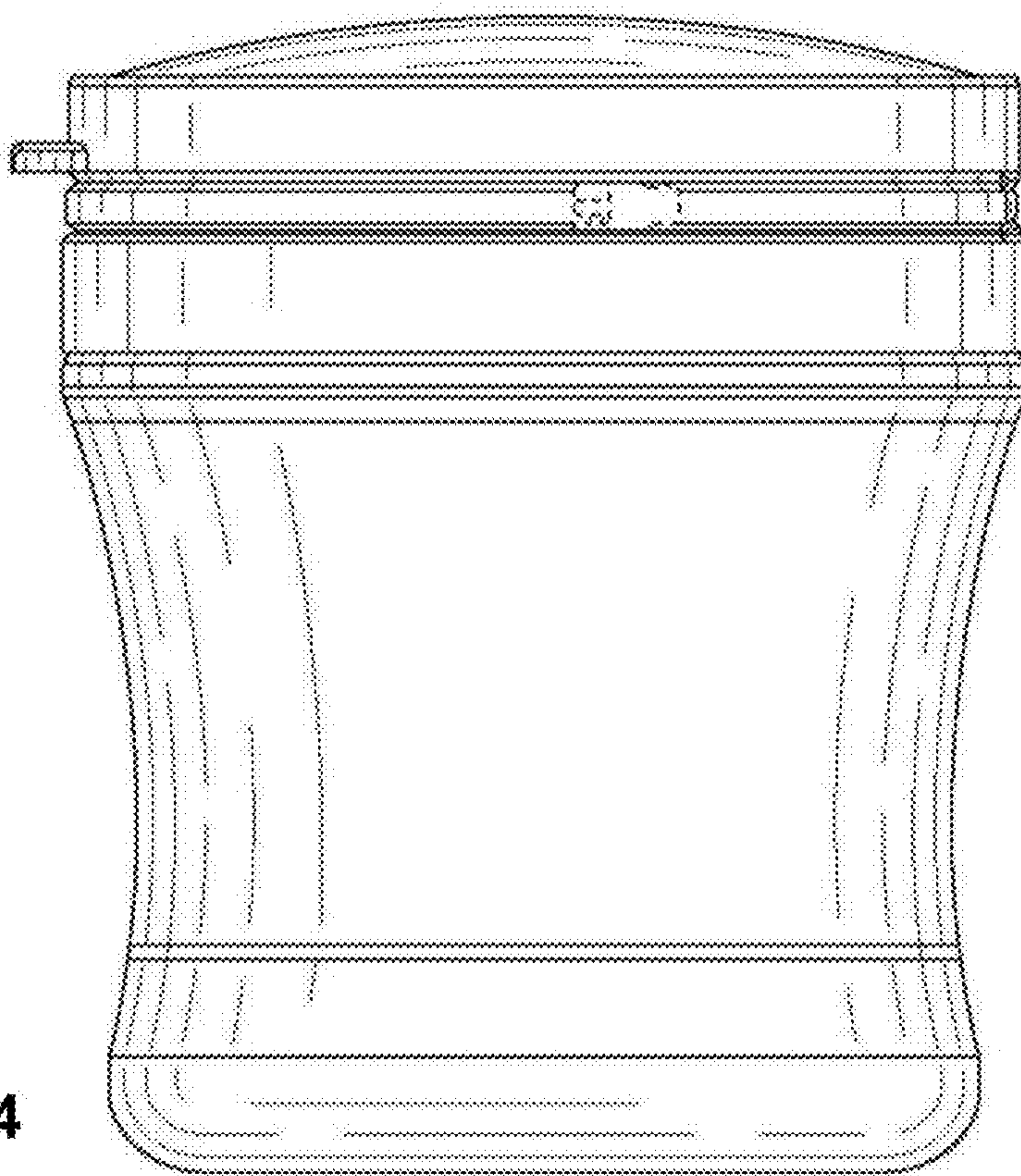


FIG. 4

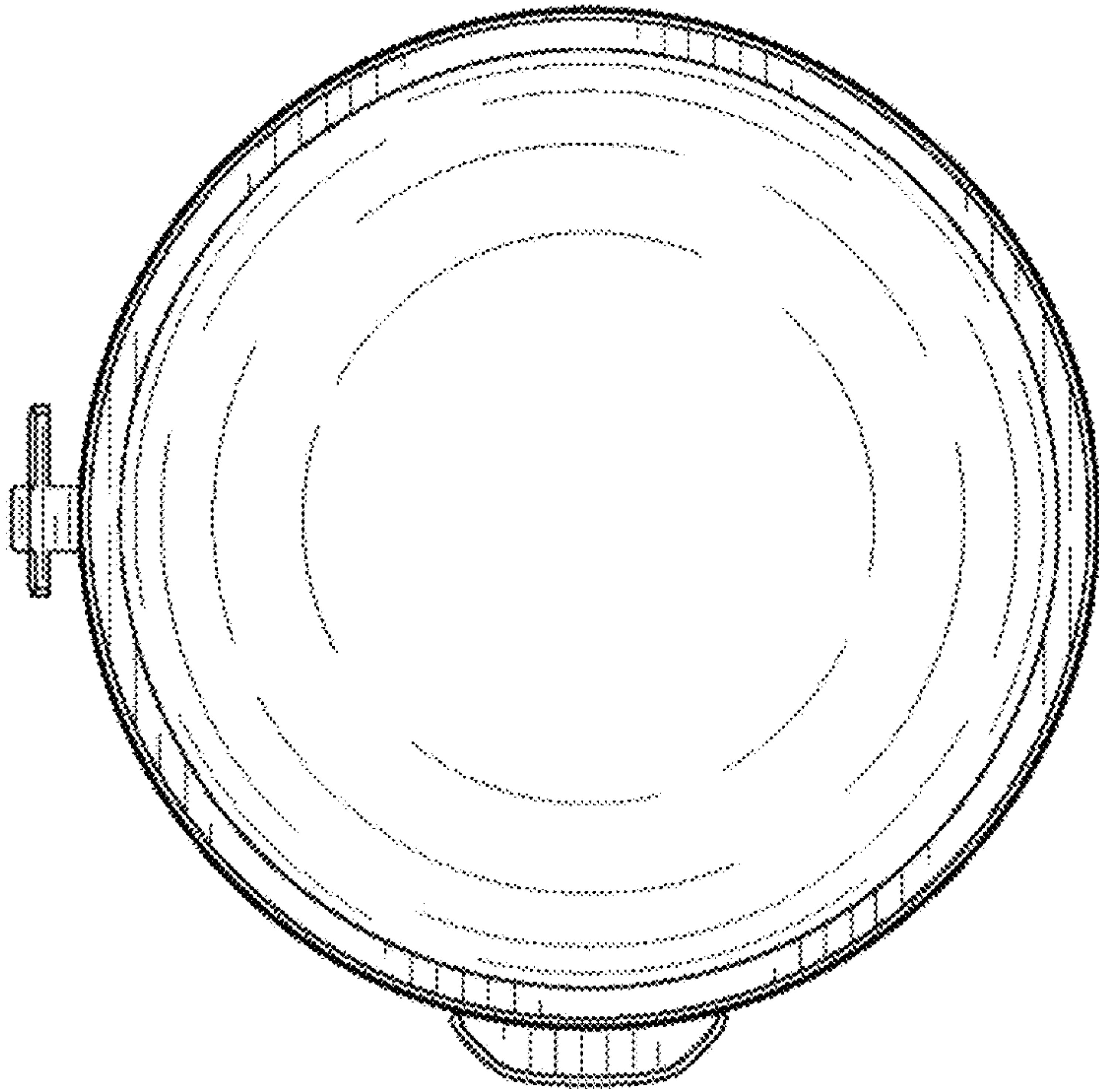


FIG. 5

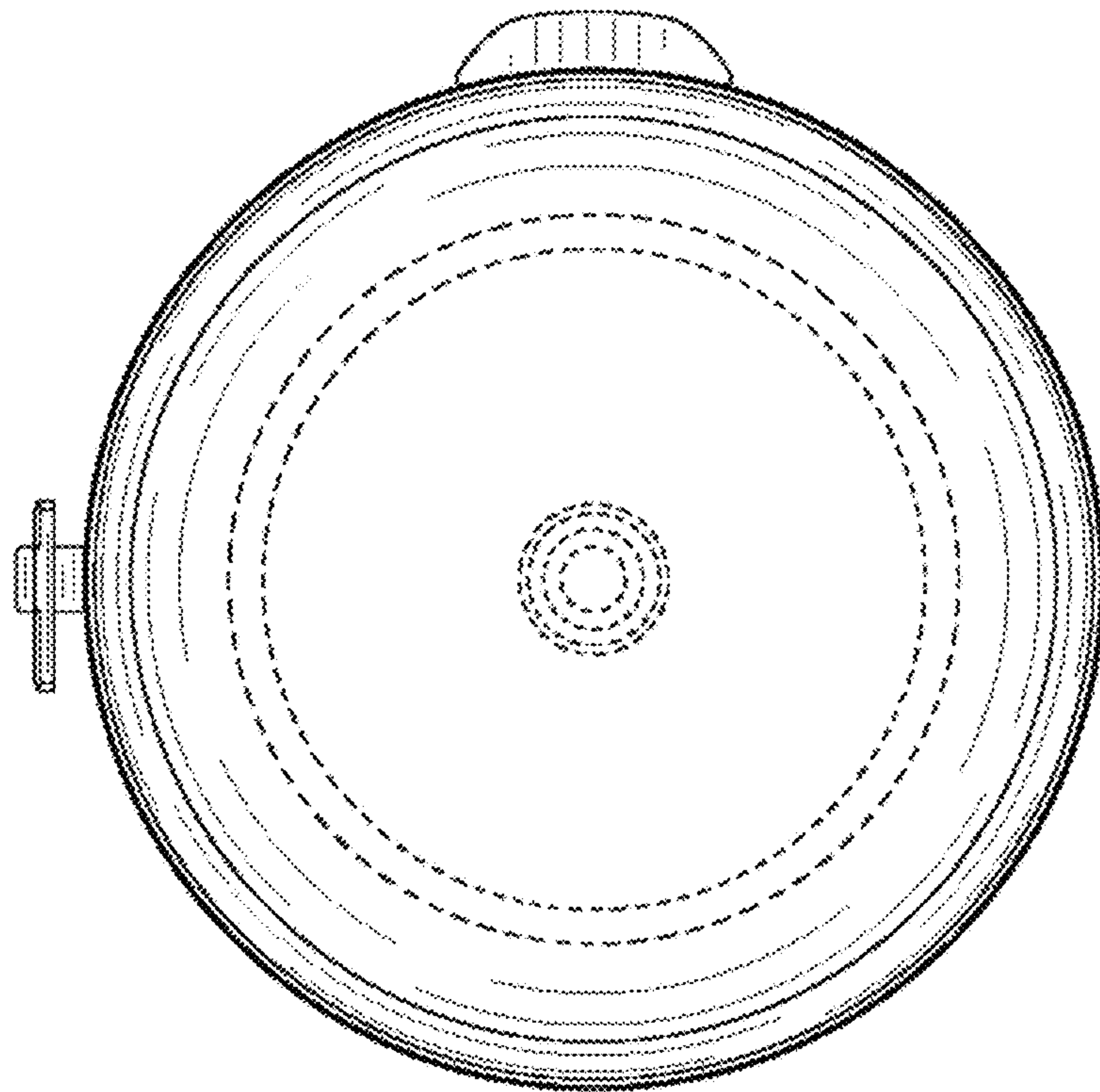


FIG. 6

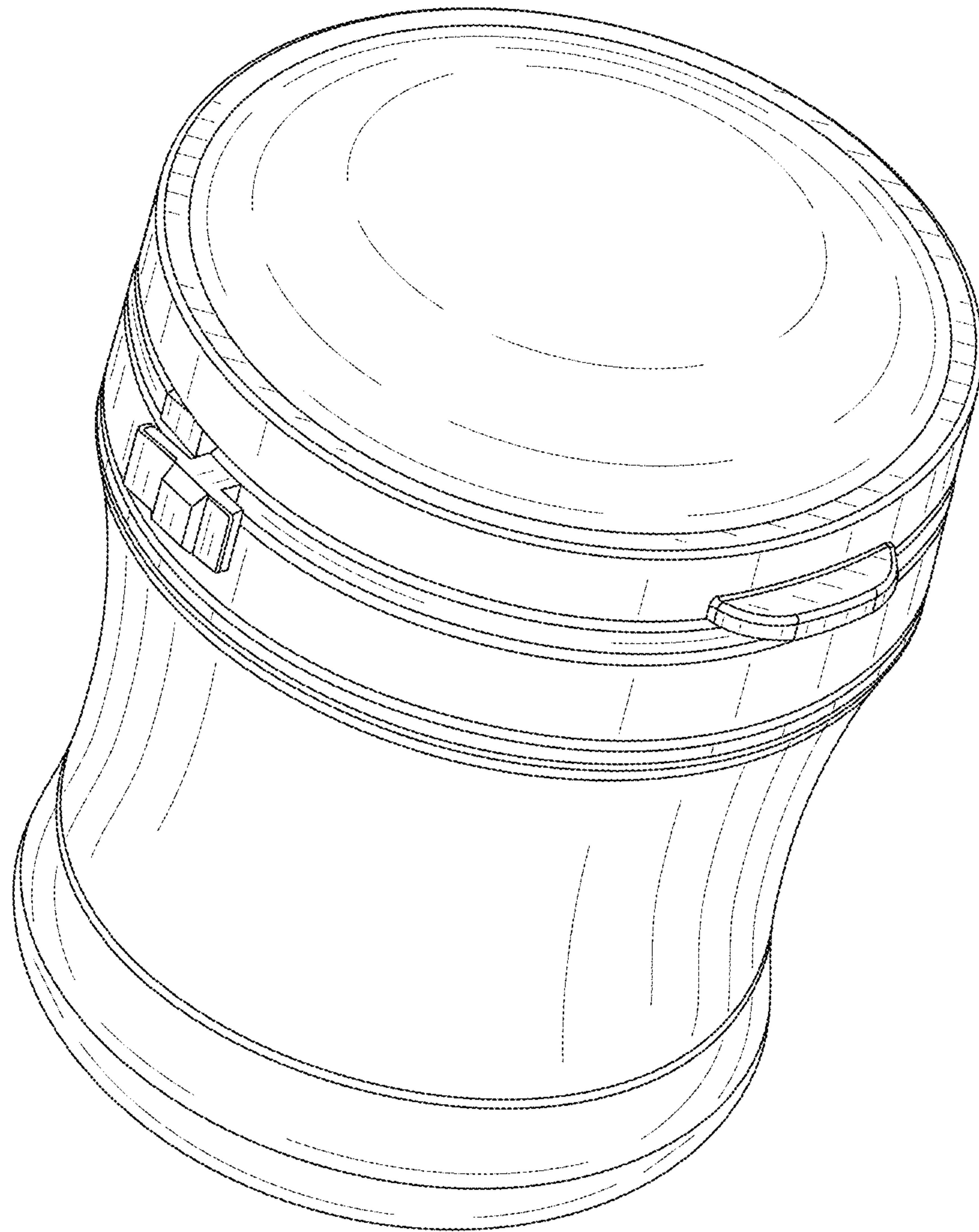


FIG. 7