



US00D807174S

(12) **United States Design Patent**
Wilkins et al.

(10) **Patent No.:** **US D807,174 S**
(45) **Date of Patent:** **** Jan. 9, 2018**

- (54) **BOTTLE CAP**
- (71) Applicant: **The Procter & Gamble Company**,
Cincinnati, OH (US)
- (72) Inventors: **Guy Baskerville Wilkins**, Cincinnati,
OH (US); **Lindsey Christine**
Sunderhaus, Hamilton, OH (US);
Benjamin Patrick Landrum, San
Antonio, TX (US)
- (73) Assignee: **The Procter & Gamble Company**,
Cincinnati, OH (US)
- (**) Term: **15 Years**
- (21) Appl. No.: **29/559,757**
- (22) Filed: **Mar. 31, 2016**
- (51) **LOC (11) Cl.** **09-07**
- (52) **U.S. Cl.**
USPC **D9/449**
- (58) **Field of Classification Search**
USPC D7/392.1; D9/600, 667, 669, 678, 434,
D9/441, 444-454; 206/494, 457, 459.1,
206/459.2; 220/890; 215/206, 260,
215/387-400
CPC B65D 67/00; B65D 81/36; B65D 41/00;
B65D 41/02; B65D 43/00; B65D 43/02
See application file for complete search history.

- D520,873 S * 5/2006 Lovell D9/449
- D711,231 S * 8/2014 Pun D9/449
- D714,153 S * 9/2014 Brewer D9/529
- D715,655 S * 10/2014 Brewer D9/529
- D742,228 S * 11/2015 Dyer D9/449
- D751,905 S * 3/2016 Alvarez de Cienfuegos
Hernandez D9/449
- D760,082 S * 6/2016 Baissero D9/449
- D769,715 S * 10/2016 Bois D9/449

* cited by examiner

Primary Examiner — Sandra L Morris
(74) *Attorney, Agent, or Firm* — Betty J. Zea

(57) **CLAIM**

The ornamental design for a bottle cap, as shown and described.

DESCRIPTION

FIG. 1 is a front perspective view of a bottle cap of our new design;
 FIG. 2 is a front view thereof;
 FIG. 3 is a back view thereof;
 FIG. 4 is a first side view thereof;
 FIG. 5 is a second side view thereof;
 FIG. 6 is a top view thereof;
 FIG. 7 is a bottom view thereof;
 FIG. 8 is a front perspective view of a bottle cap of our new design;
 FIG. 9 is a front view thereof;
 FIG. 10 is a back view thereof;
 FIG. 11 is a first side view thereof;
 FIG. 12 is a second side view thereof;
 FIG. 13 is a top view thereof; and,
 FIG. 14 is a bottom view thereof.

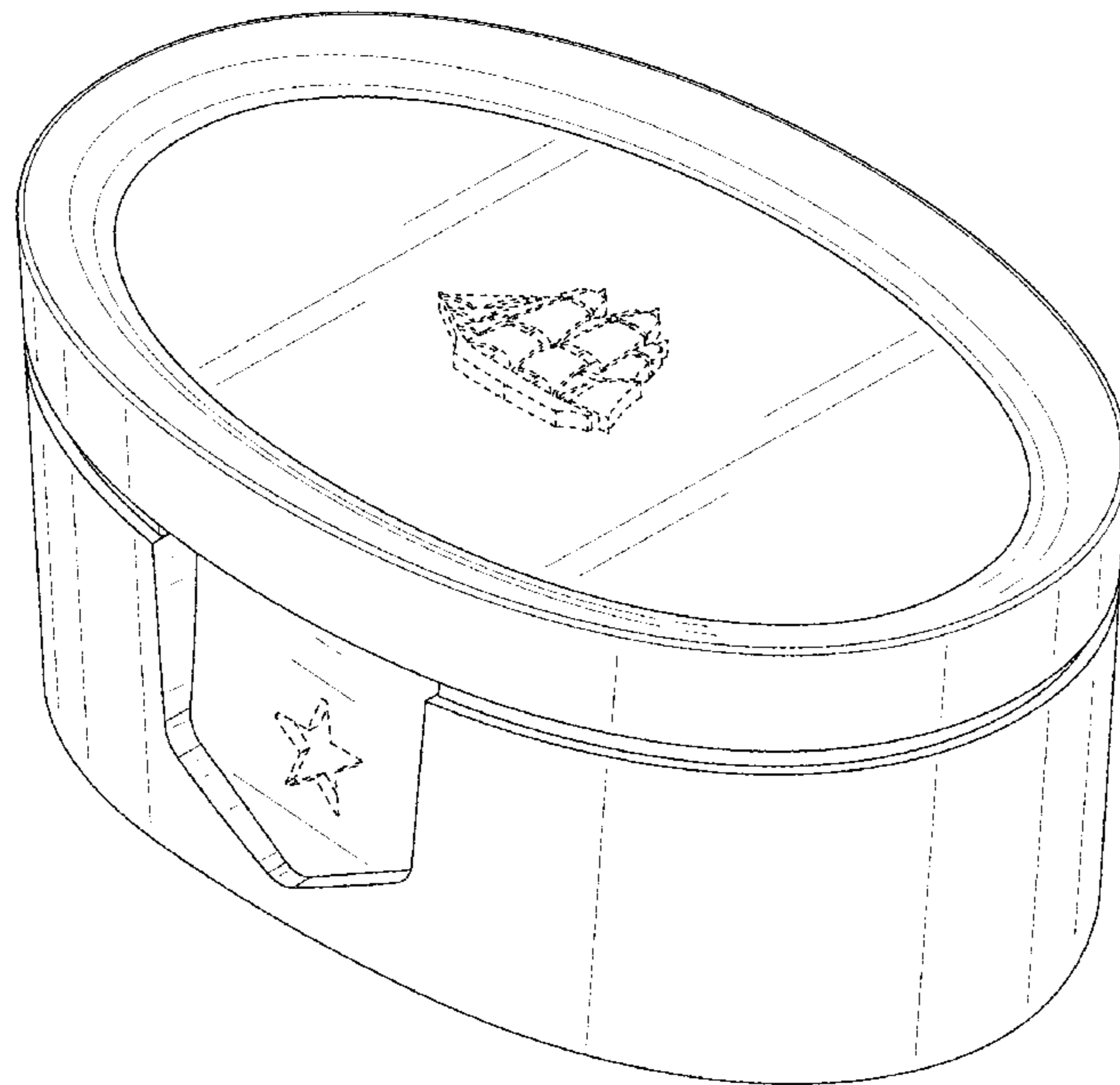
The broken lines shown in the drawings are for illustrative purposes only and form no part of the claimed design.

1 Claim, 8 Drawing Sheets

(56) **References Cited**

U.S. PATENT DOCUMENTS

- D414,650 S * 10/1999 Lillelund D7/392.1
- 6,039,224 A * 3/2000 Dallas, Jr. B65D 47/0809
222/480
- D444,027 S * 6/2001 Gilliam D7/392.1



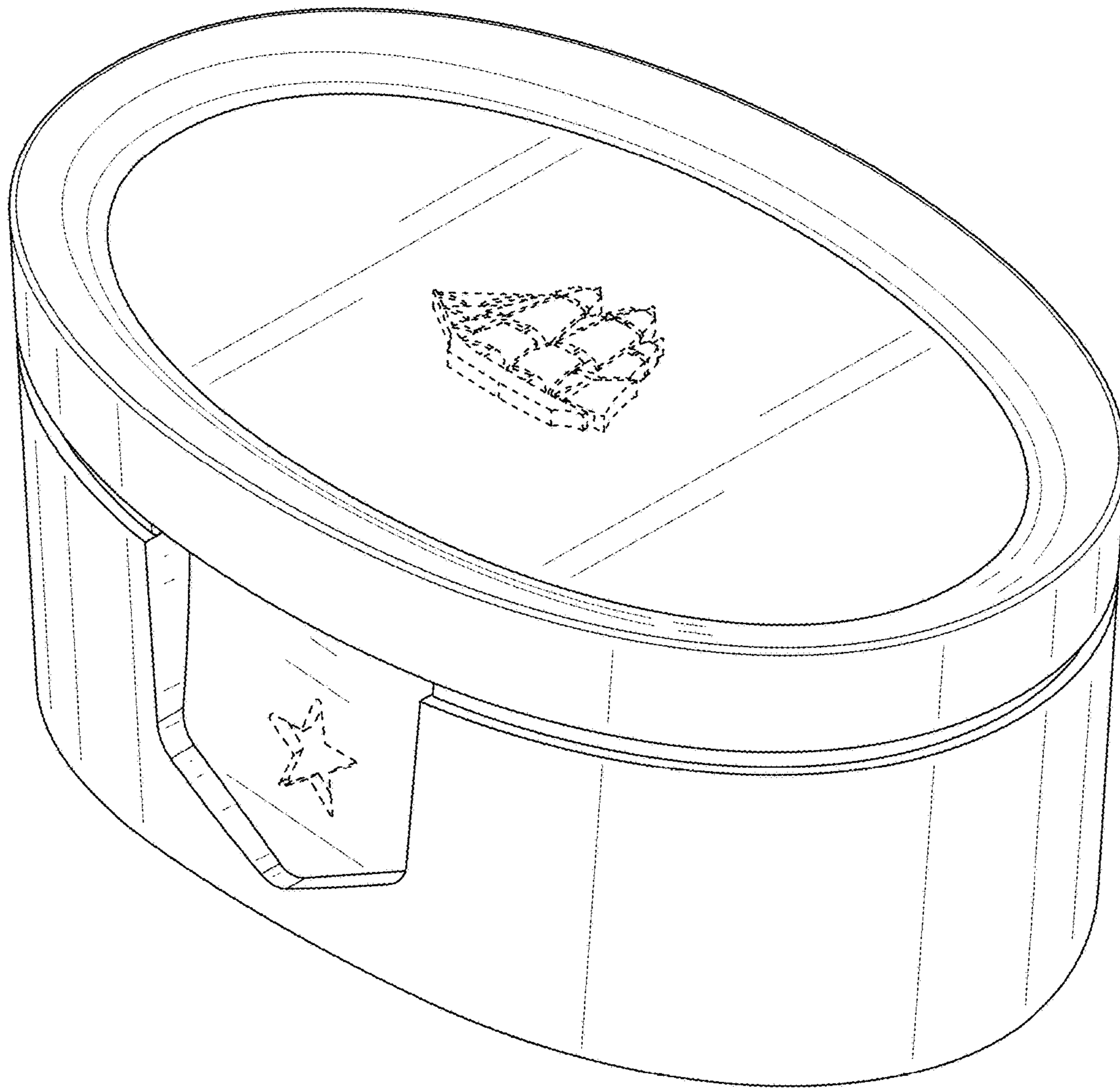


FIG. 1

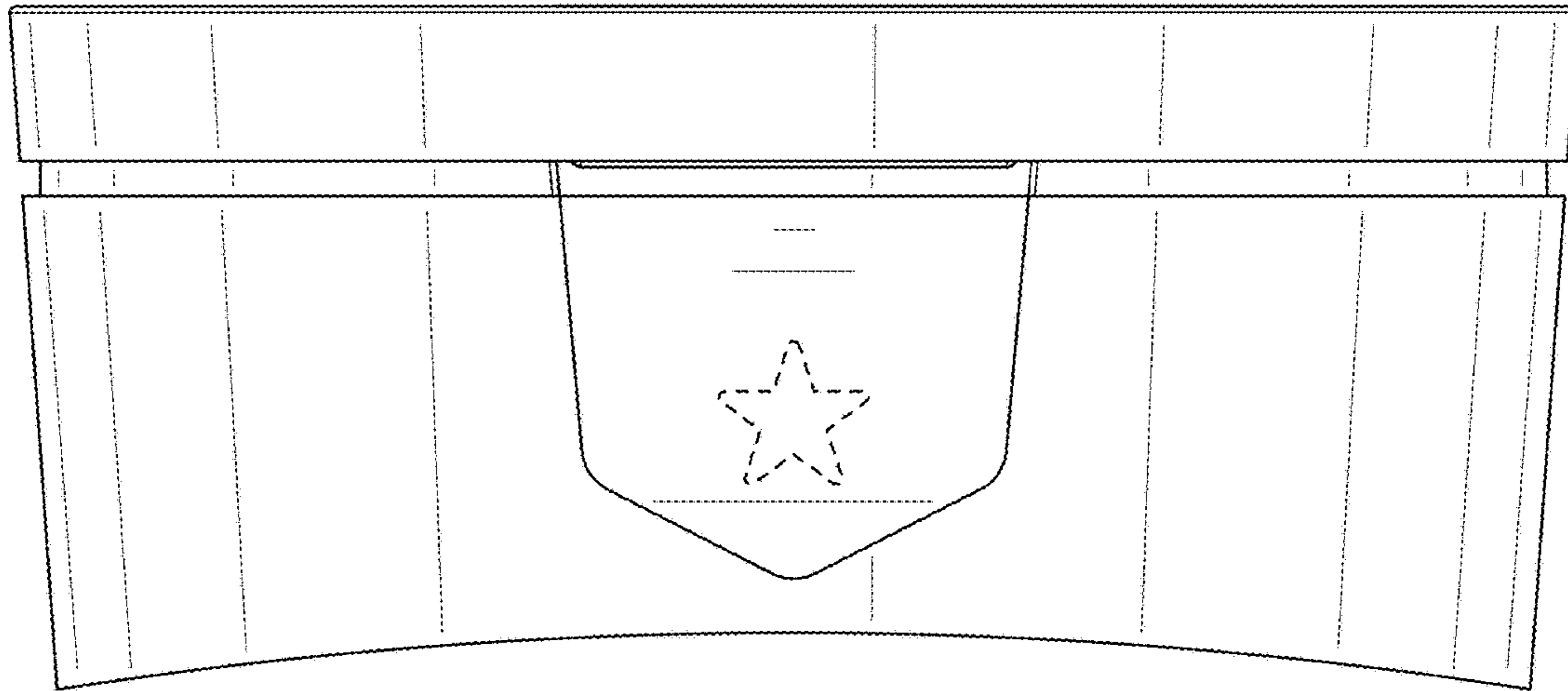


FIG. 2

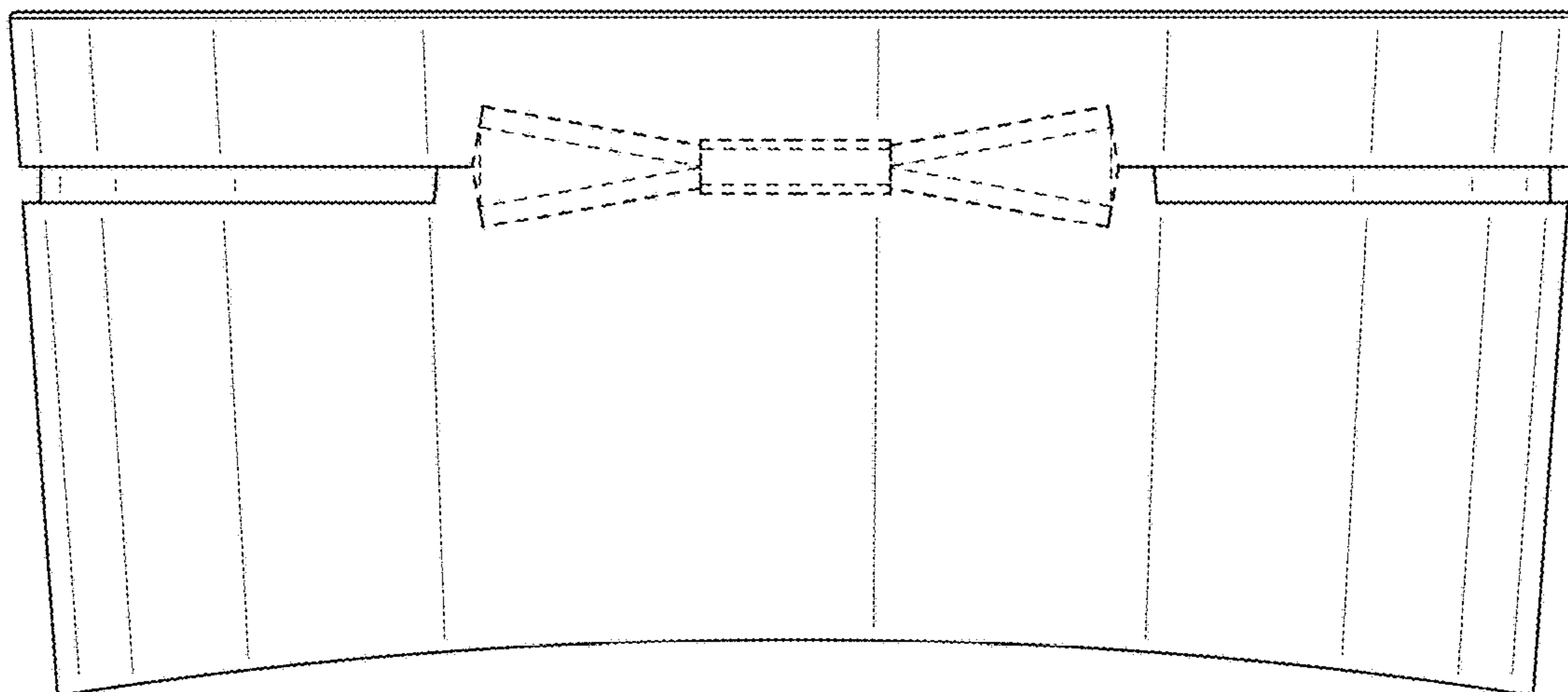


FIG. 3

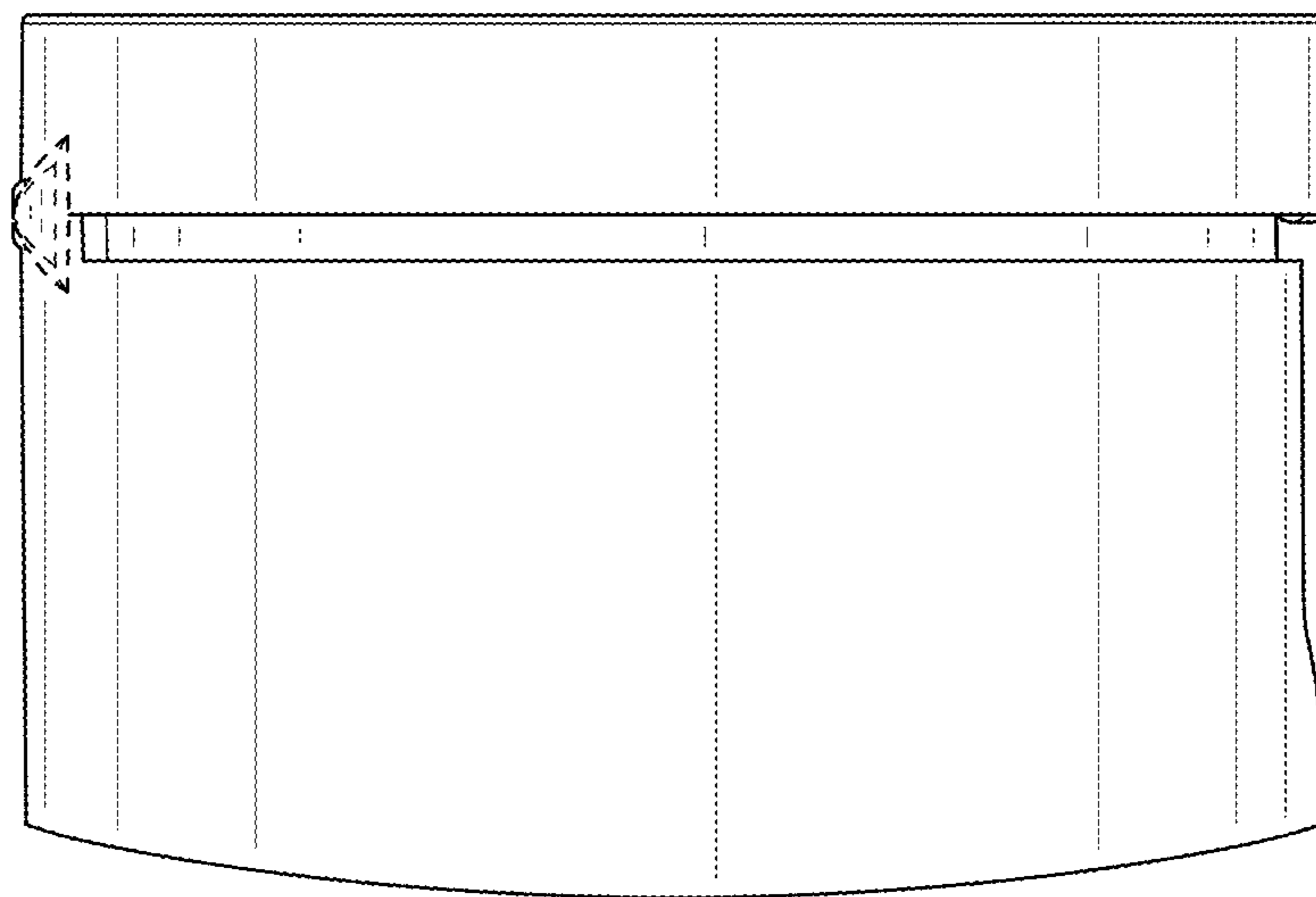


FIG. 4

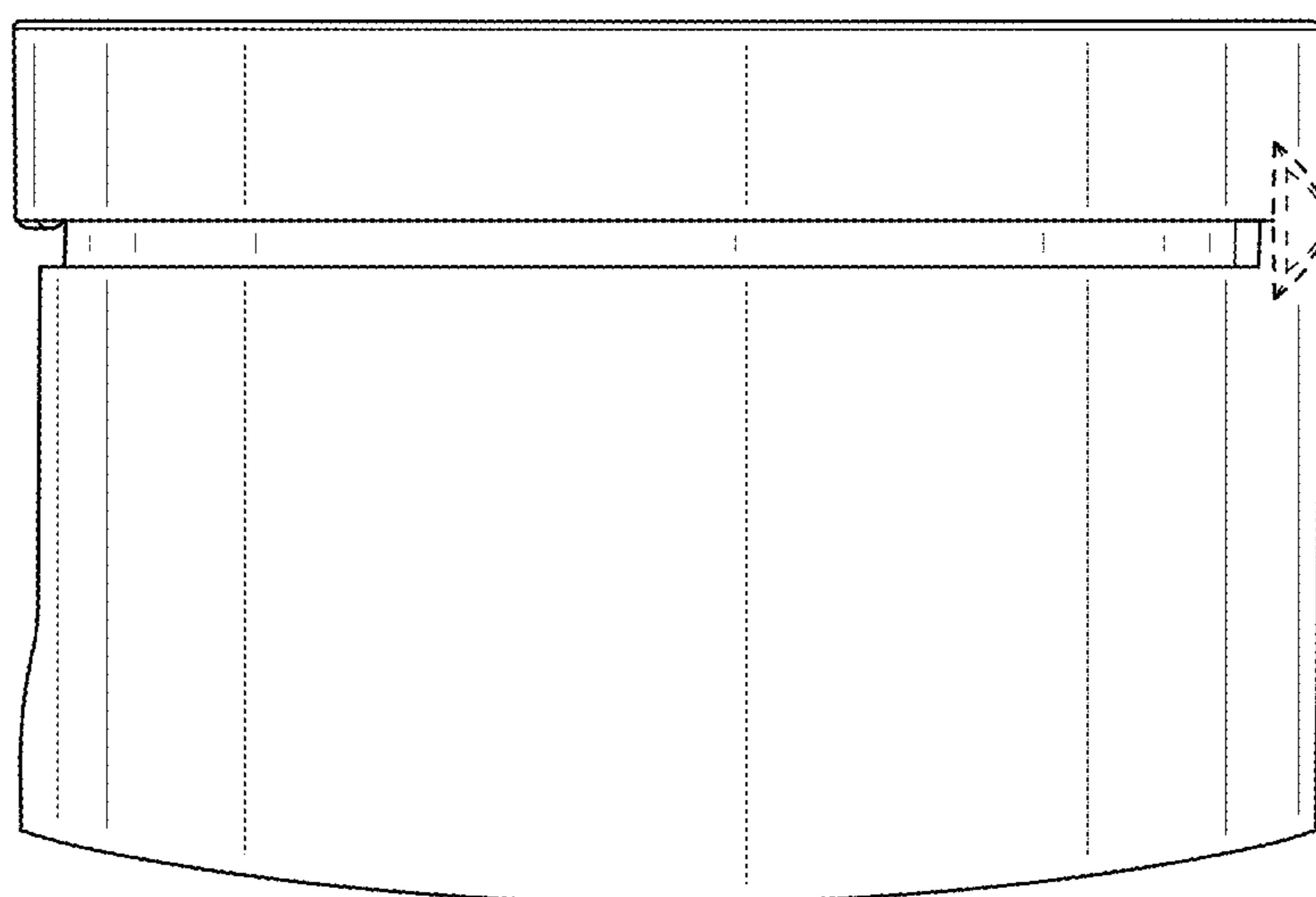


FIG. 5

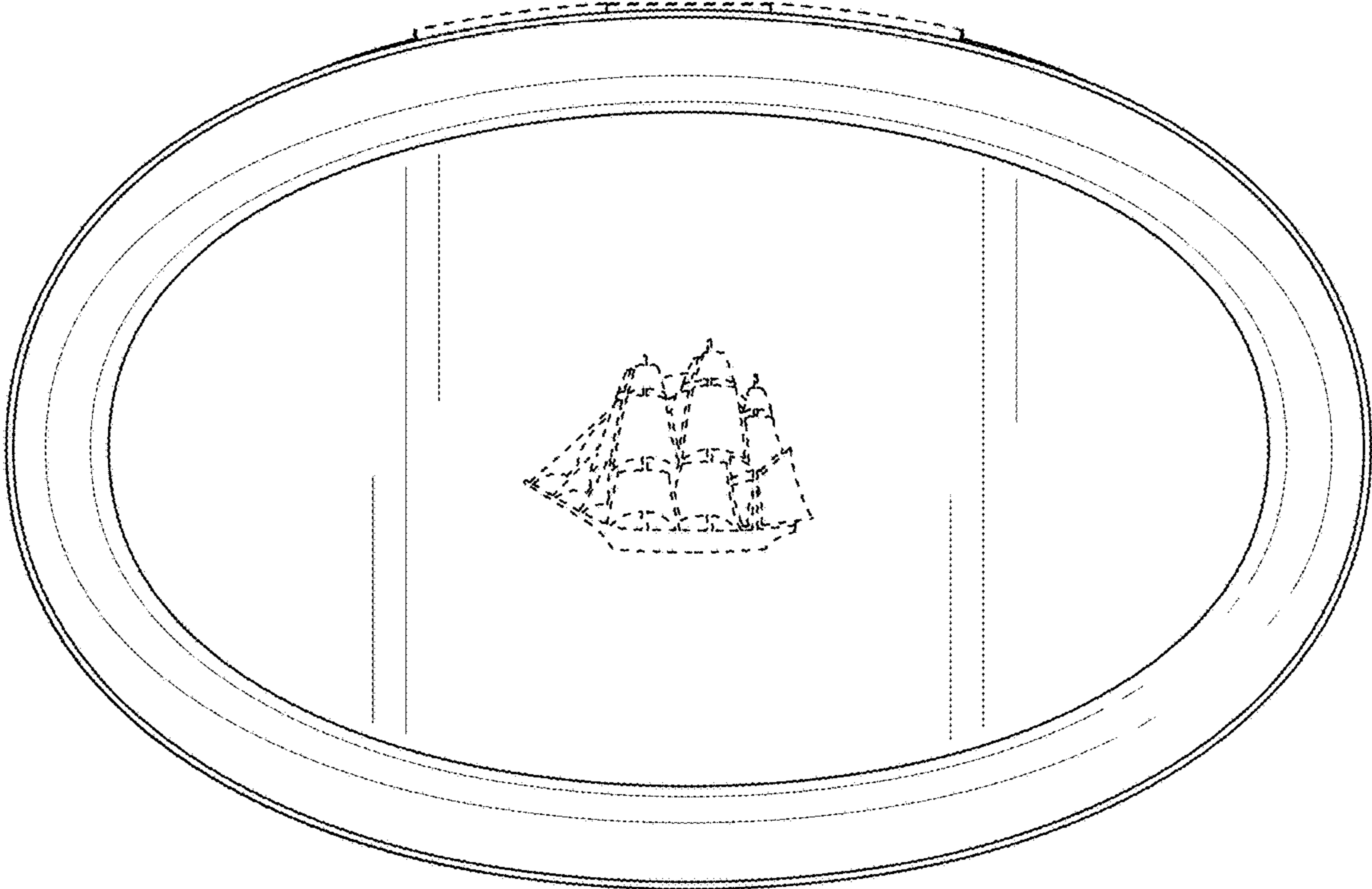


FIG. 6

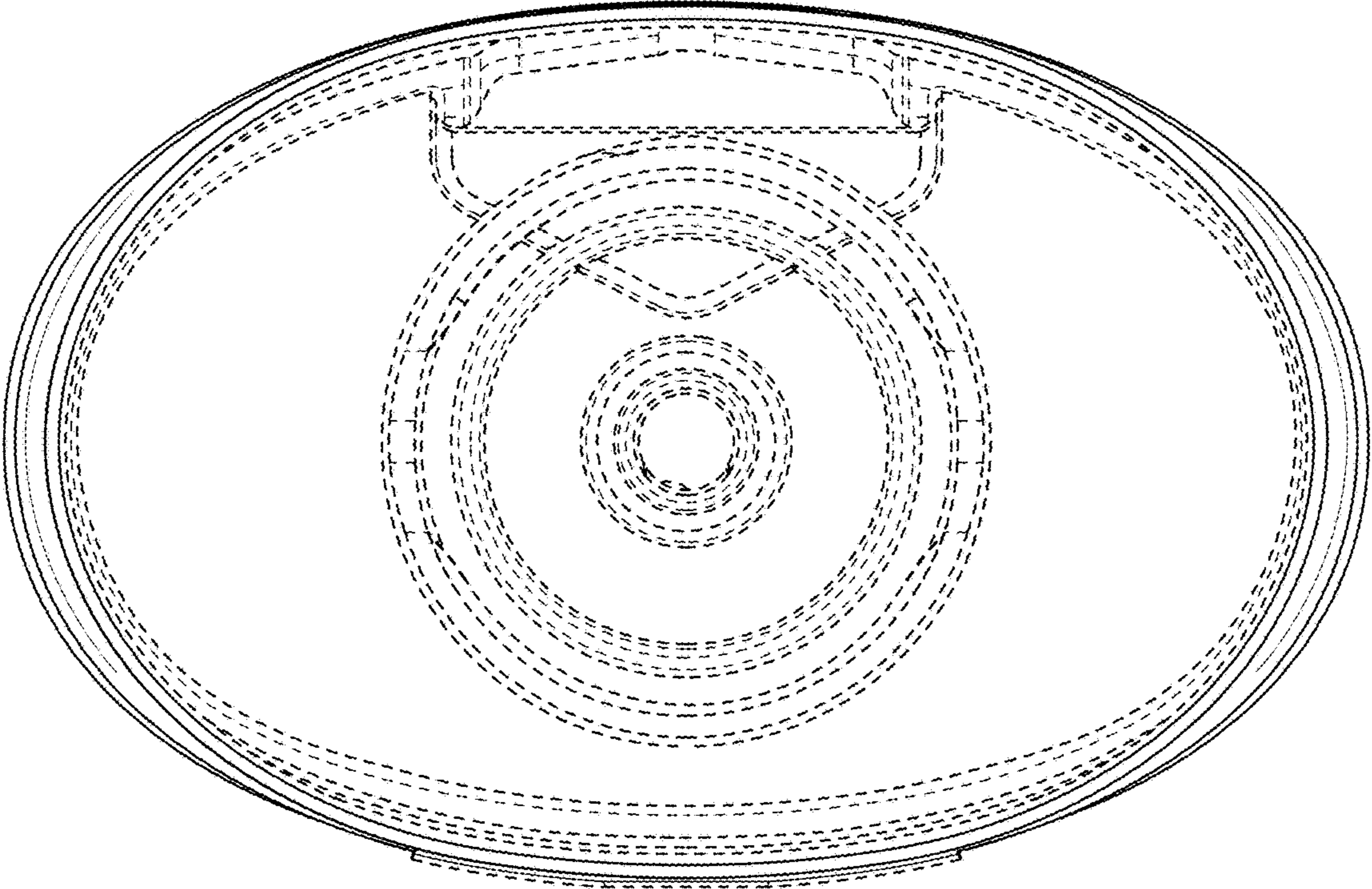


FIG. 7

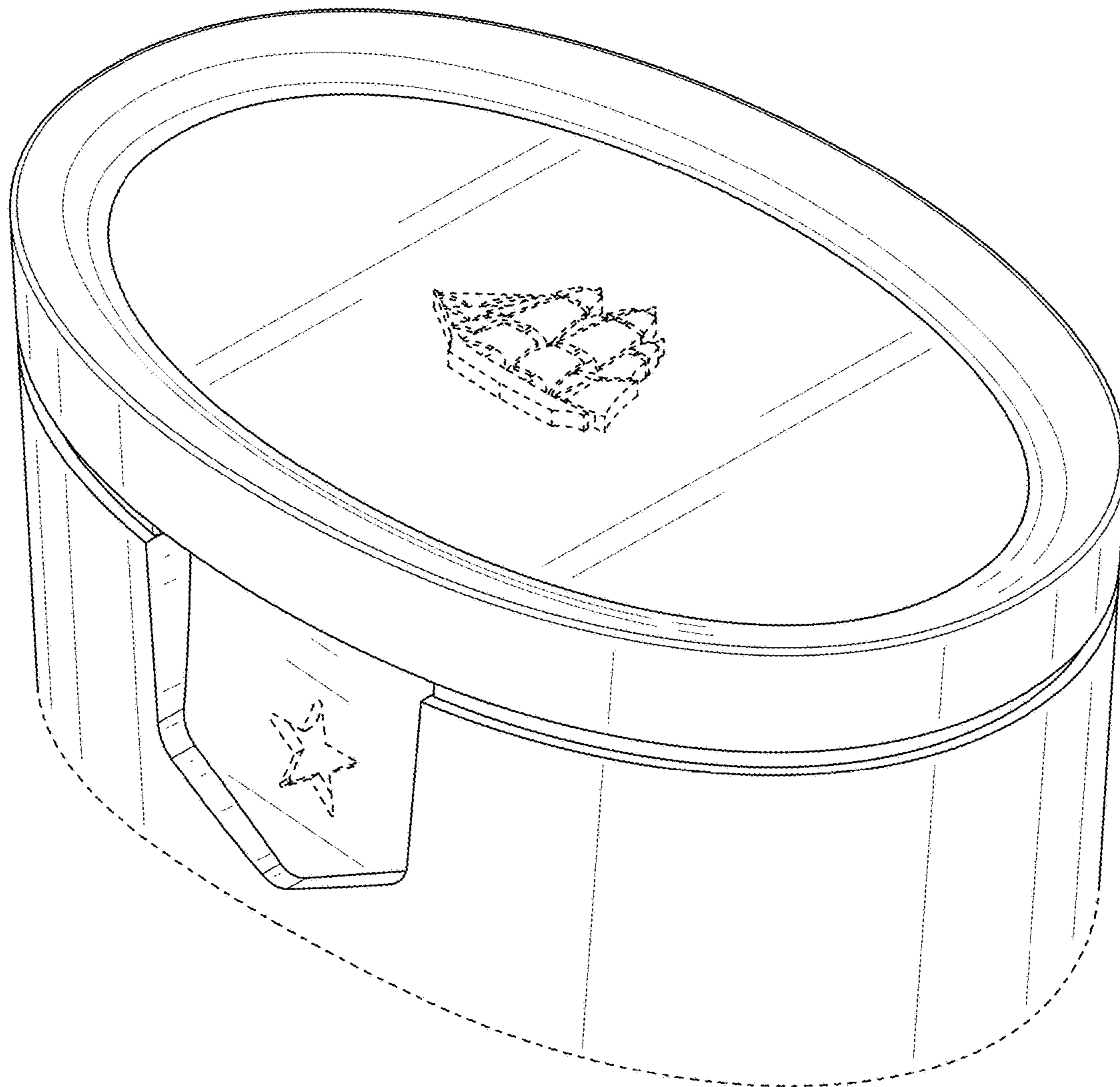


FIG. 8

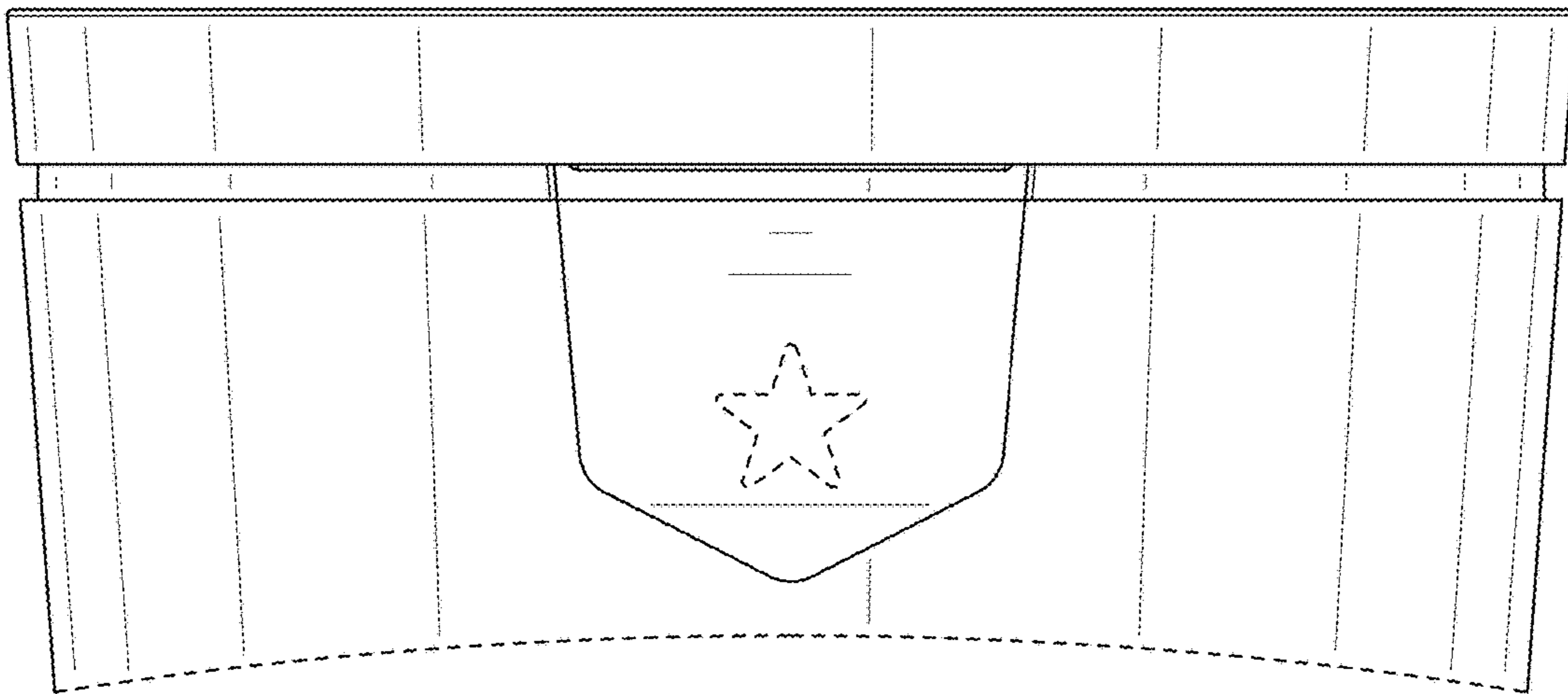


FIG. 9

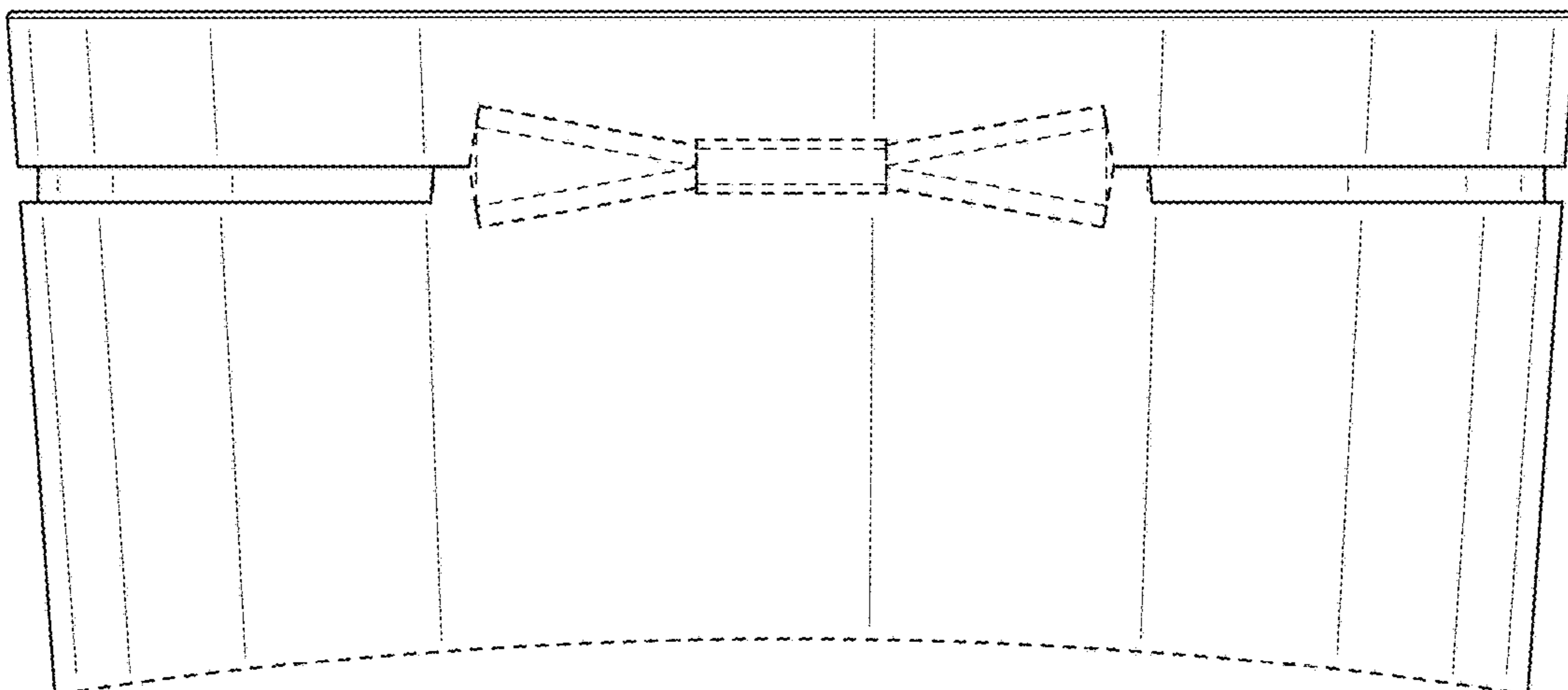


FIG. 10

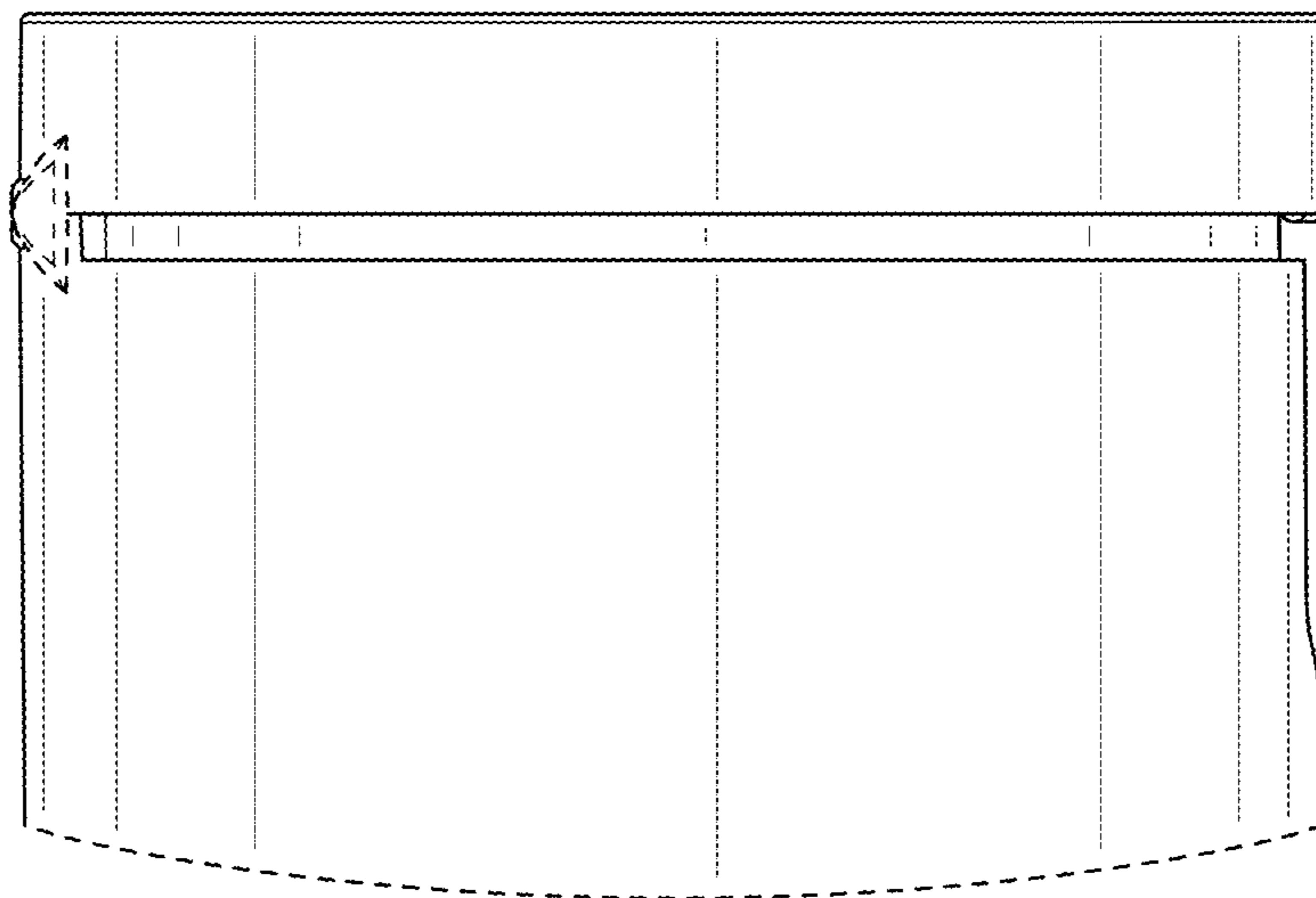


FIG. 11

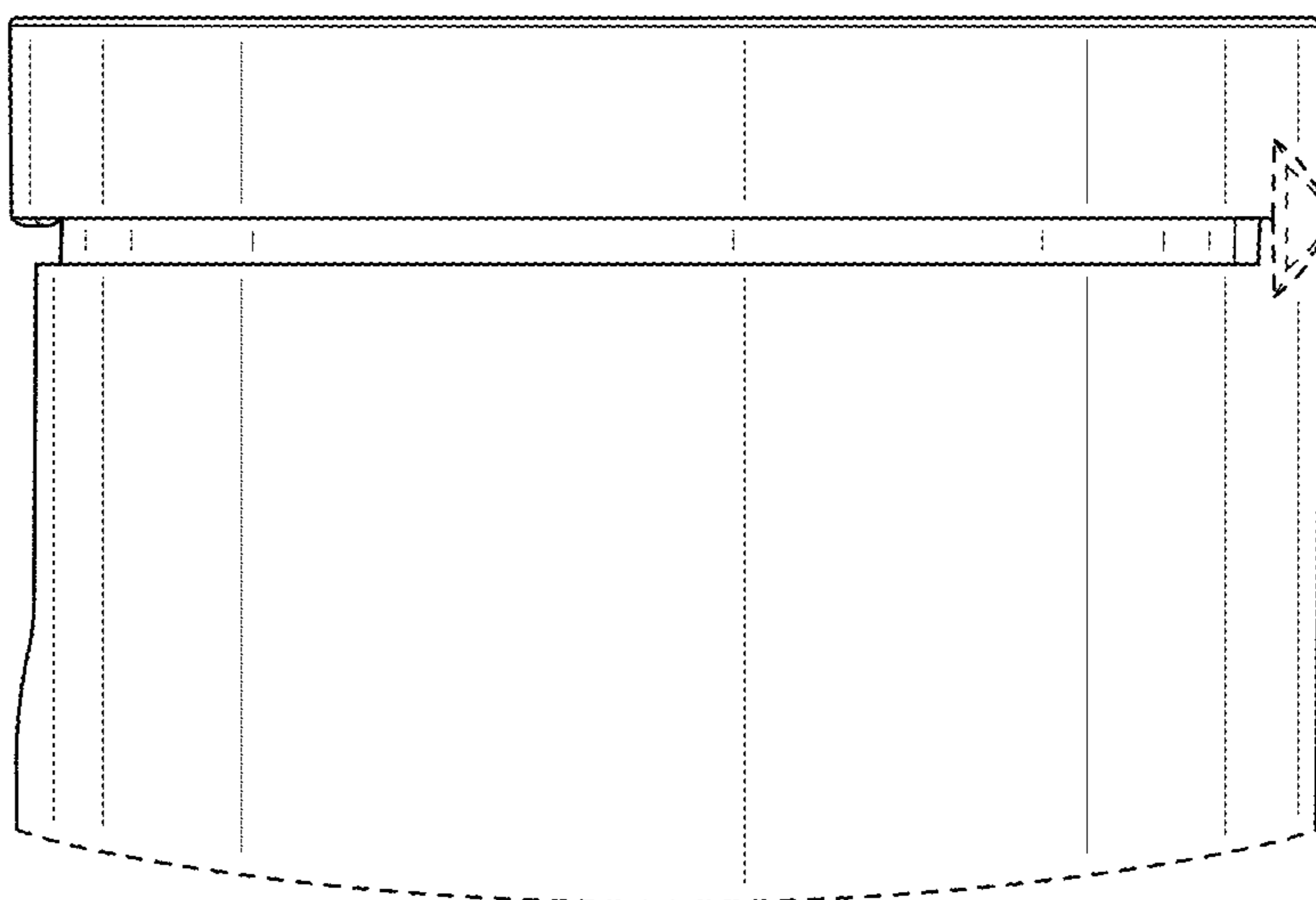


FIG. 12

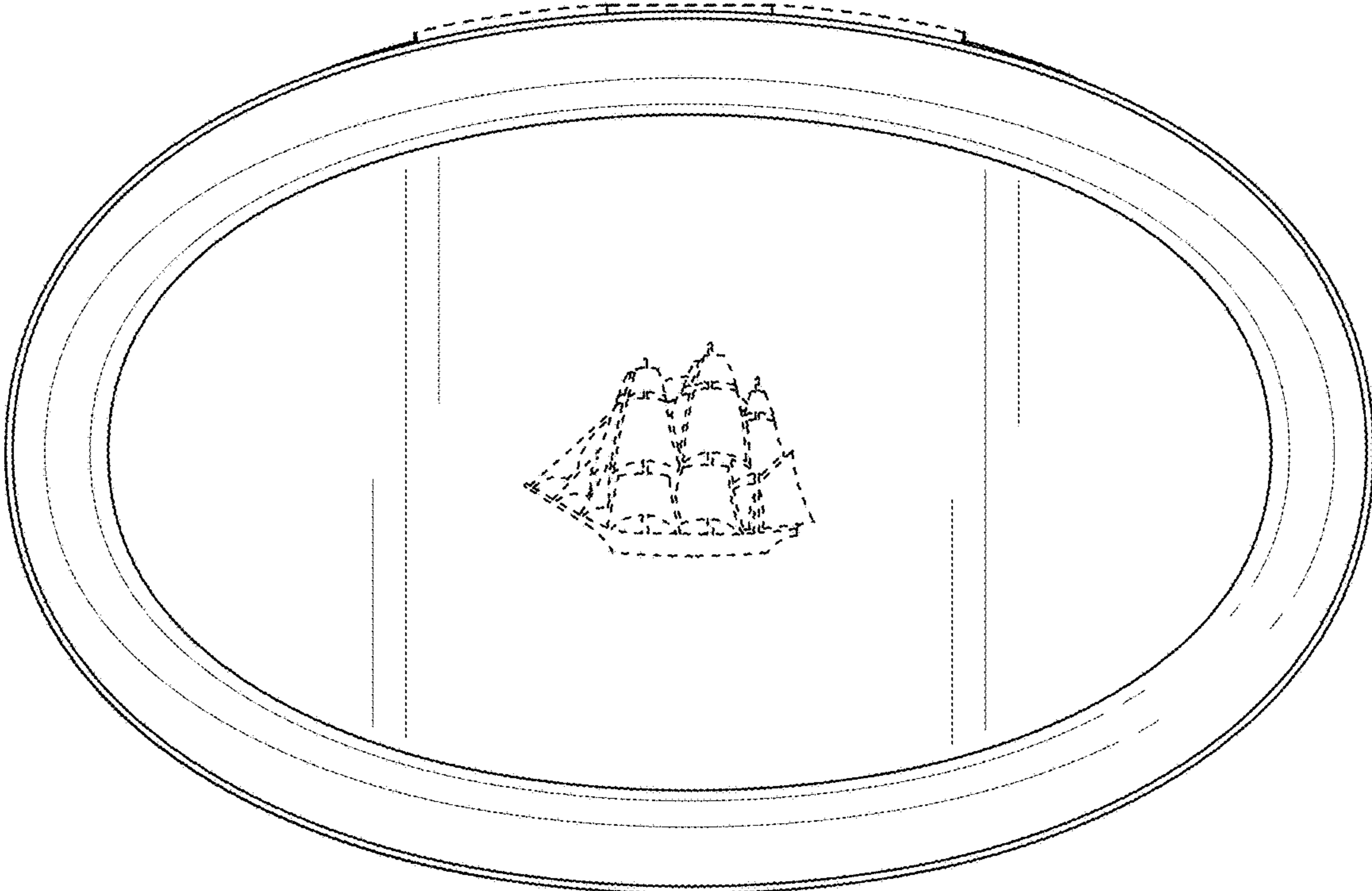


FIG. 13

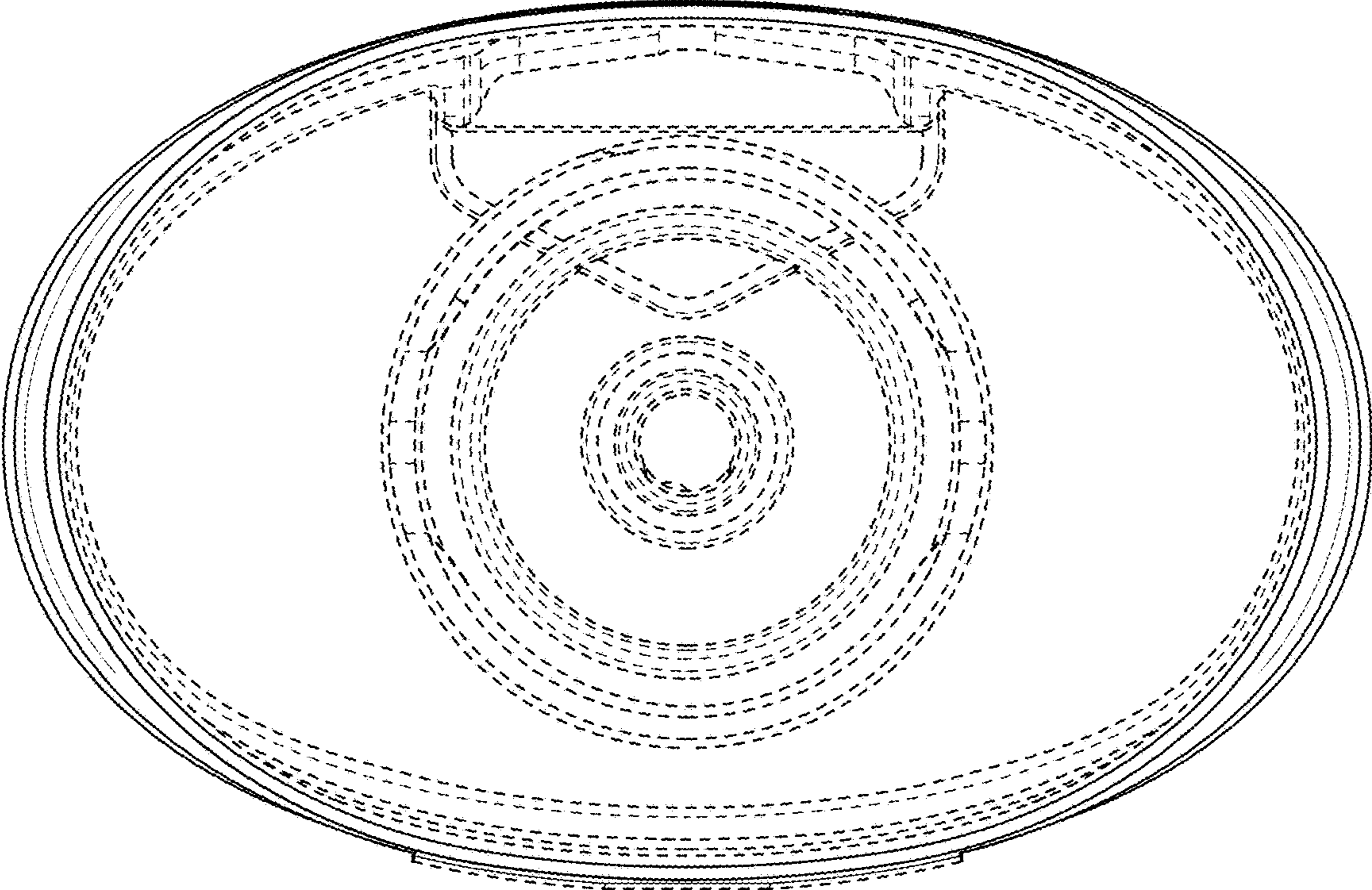


FIG. 14