

US00D807173S

(12) **United States Design Patent** (10) **Patent No.:** **US D807,173 S**
Cooper et al. (45) **Date of Patent:** **** *Jan. 9, 2018**

(54) **FRAGRANCE COLLAR FOR A DISPENSING CONTAINER**

(71) Applicant: **Illinois Tool Works Inc.**, Glenview, IL (US)

(72) Inventors: **Donald Cooper**, Centreville, MD (US); **Stephen Lantz**, Trappe, MD (US)

(73) Assignee: **ILLINOIS TOOL WORKS INC.**, Glenview, IL (US)

(*) Notice: This patent is subject to a terminal disclaimer.

(**) Term: **14 Years**

(21) Appl. No.: **29/518,472**

(22) Filed: **Feb. 24, 2015**

(51) **LOC (11) Cl.** **09-07**

(52) **U.S. Cl.**
USPC **D9/447**; D9/436; D9/452

(58) **Field of Classification Search**
USPC D3/201, 202, 318; D7/387, 392, 392.1, D7/396.2, 396.3, 397, 398; D9/416, 419,
(Continued)

(56) **References Cited**

U.S. PATENT DOCUMENTS

D256,673 S * 9/1980 Hoyt D9/443
D256,674 S * 9/1980 Hoyt D9/443
(Continued)

FOREIGN PATENT DOCUMENTS

CN 102049058 5/2011

OTHER PUBLICATIONS

Celeste Corp. Flight Luxe JetScent Soap. Jul. 25, 2013 [earliest online date], [site visited Apr. 25, 2017]. Available from Internet, <URL:http://www.celestecorp.com/flight-luxe-jetscent-soap.html>.*

Primary Examiner — Robert M. Spear

Assistant Examiner — Darcey E Heflin

(74) *Attorney, Agent, or Firm* — Welsh Flaxman & Gitler LLC

(57) **CLAIM**

The ornamental design for a fragrance collar for a dispensing container, as shown and described.

DESCRIPTION

FIG. 1 is a top front perspective view of the fragrance collar for a dispensing container shown as mounted upon a dispensing container.

FIG. 2 is a top front perspective view of the fragrance collar for a dispensing container.

FIG. 3 is a top rear perspective view of the fragrance collar for a dispensing container from a position opposite the view shown in FIG. 2.

FIG. 4 is a bottom front perspective view of the fragrance collar for a dispensing container.

FIG. 5 is a bottom rear perspective view of the fragrance collar for a dispensing container from a position opposite the view shown in FIG. 4.

FIG. 6 is a top plan view of the fragrance collar for a dispensing container.

FIG. 7 is a bottom plan view of the fragrance collar for a dispensing container.

FIG. 8 is a front plan view of the fragrance collar for a dispensing container.

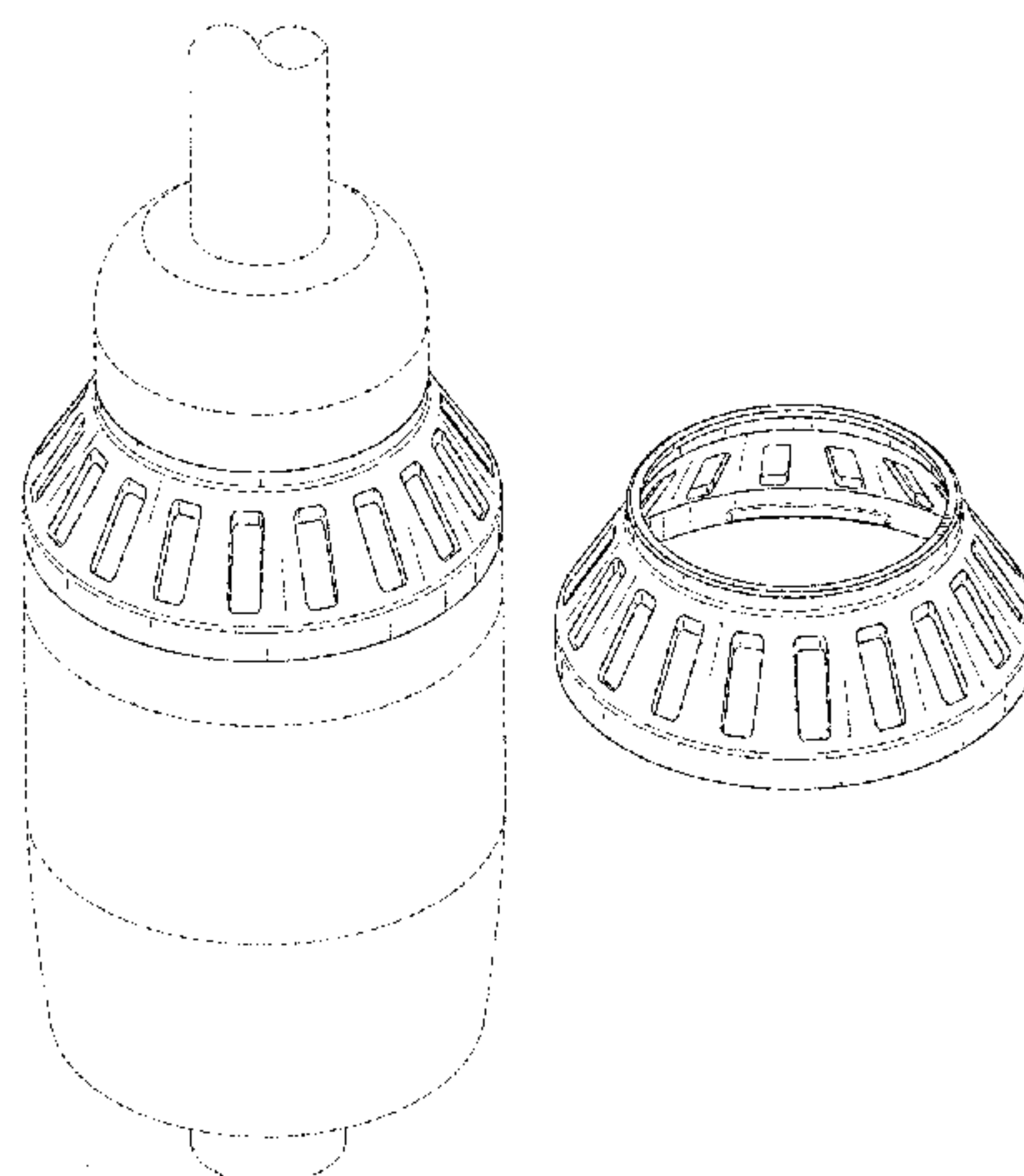
FIG. 9 is a rear plan view of the fragrance collar for a dispensing container from a position opposite the view shown in FIG. 8.

FIG. 10 is a left side plan view of the fragrance collar for a dispensing container; and,

FIG. 11 is a right side plan view of the fragrance collar for a dispensing container from a position opposite the view shown in FIG. 10.

In the drawings, the broken lines showing a dispensing container depict environment and form no part of the claim.

1 Claim, 5 Drawing Sheets



(58) **Field of Classification Search**

USPC D9/434-438, 440, 443, 445, 447, 449,
D9/452-454, 456, 499; D26/2

CPC A61L 9/04

See application file for complete search history.

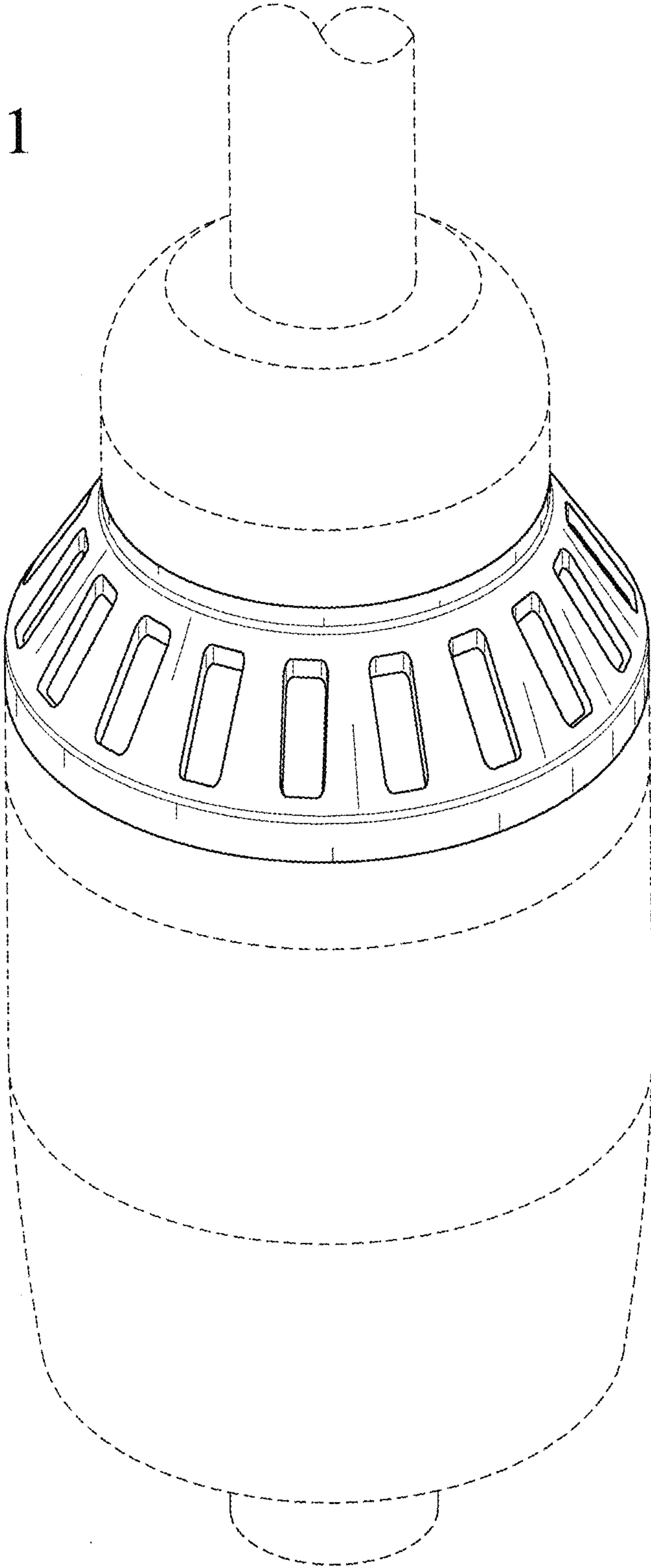
(56) **References Cited**

U.S. PATENT DOCUMENTS

D311,868	S	*	11/1990	Armstrong	D9/452
7,284,711	B2		10/2007	Reed et al.		
D586,928	S	*	2/2009	Liu	D26/2
D644,357	S	*	8/2011	Hsu	D26/2
D668,800	S	*	10/2012	Liu	D26/2
D670,011	S	*	10/2012	Kim	D26/2
D676,986	S	*	2/2013	Maxik	D26/2
D679,596	S	*	4/2013	Stull, Sr.	D9/452
D683,866	S	*	6/2013	Zeng	D26/2
8,505,781	B2		8/2013	Crawford et al.		
D691,291	S	*	10/2013	Qiu	D26/2
D691,294	S	*	10/2013	Hsu	D26/2
D696,799	S	*	12/2013	Lin	D26/2
D697,235	S	*	1/2014	Luo	D26/2
D698,053	S	*	1/2014	Rupp	D26/2
D700,723	S	*	3/2014	Romeu	D26/2
D734,884	S	*	7/2015	Rupp	D26/2
D735,368	S	*	7/2015	McGrath	D26/2
D736,966	S	*	8/2015	Fleming	D26/2
D742,557	S	*	11/2015	Yoshizawa	D26/2
D761,973	S	*	7/2016	Moon	D26/2
D768,316	S	*	10/2016	Fleming	D26/2
2008/0237365	A1		10/2008	Patel		
2008/0296401	A1		12/2008	Thompson, Sr. et al.		
2011/0000977	A1		1/2011	Withers		
2013/0043245	A1		2/2013	Griffis		

* cited by examiner

FIG. 1



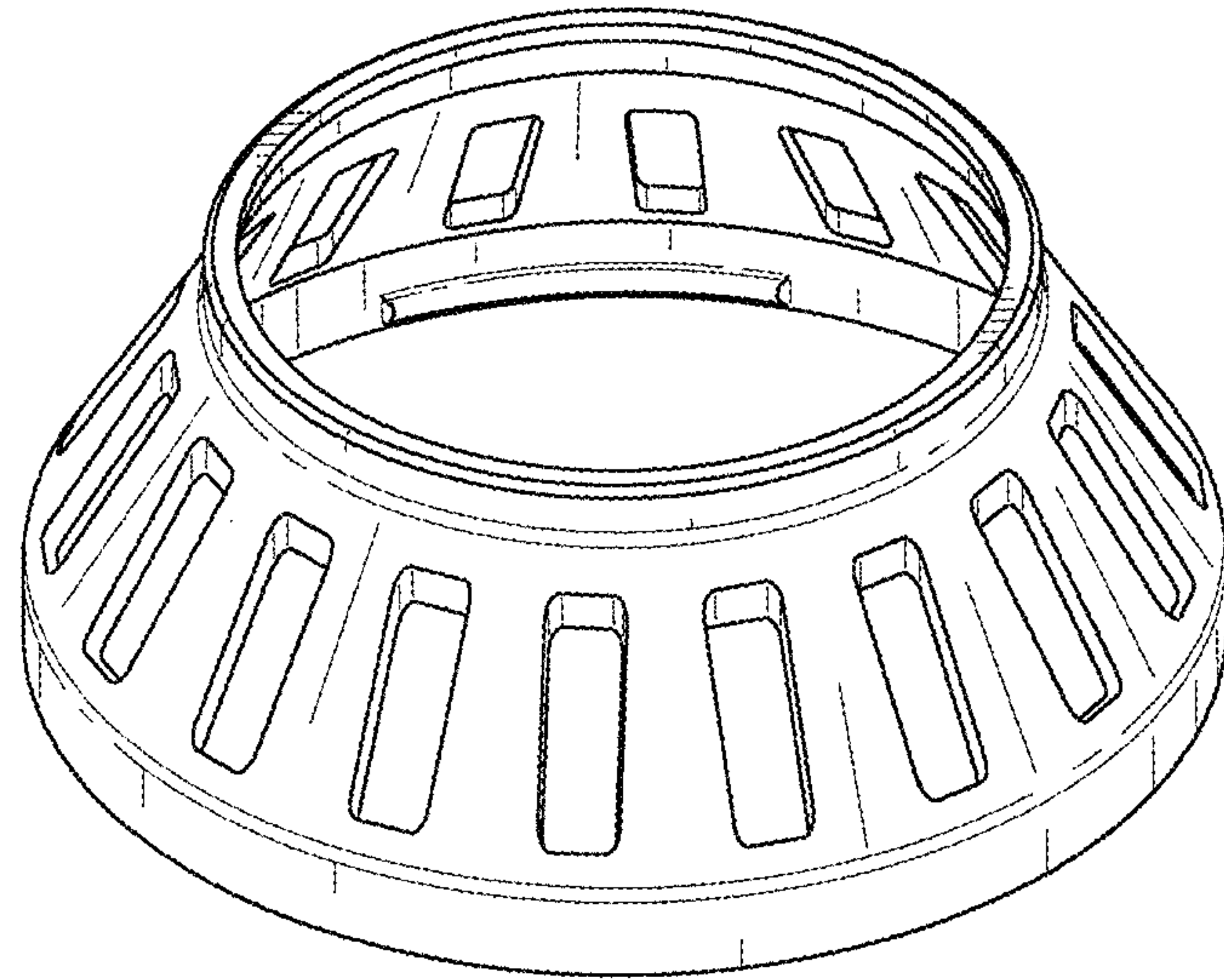


FIG. 2

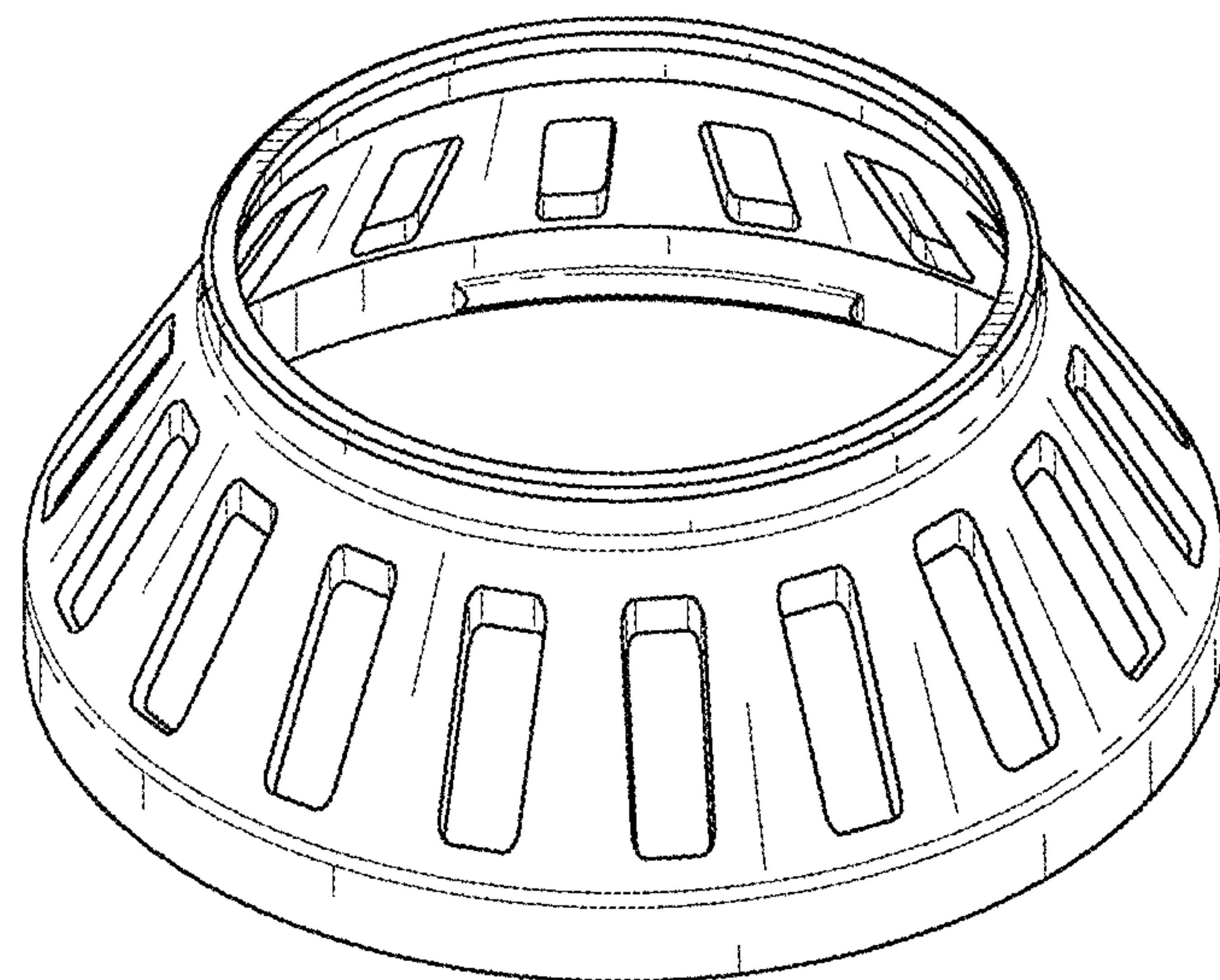


FIG. 3

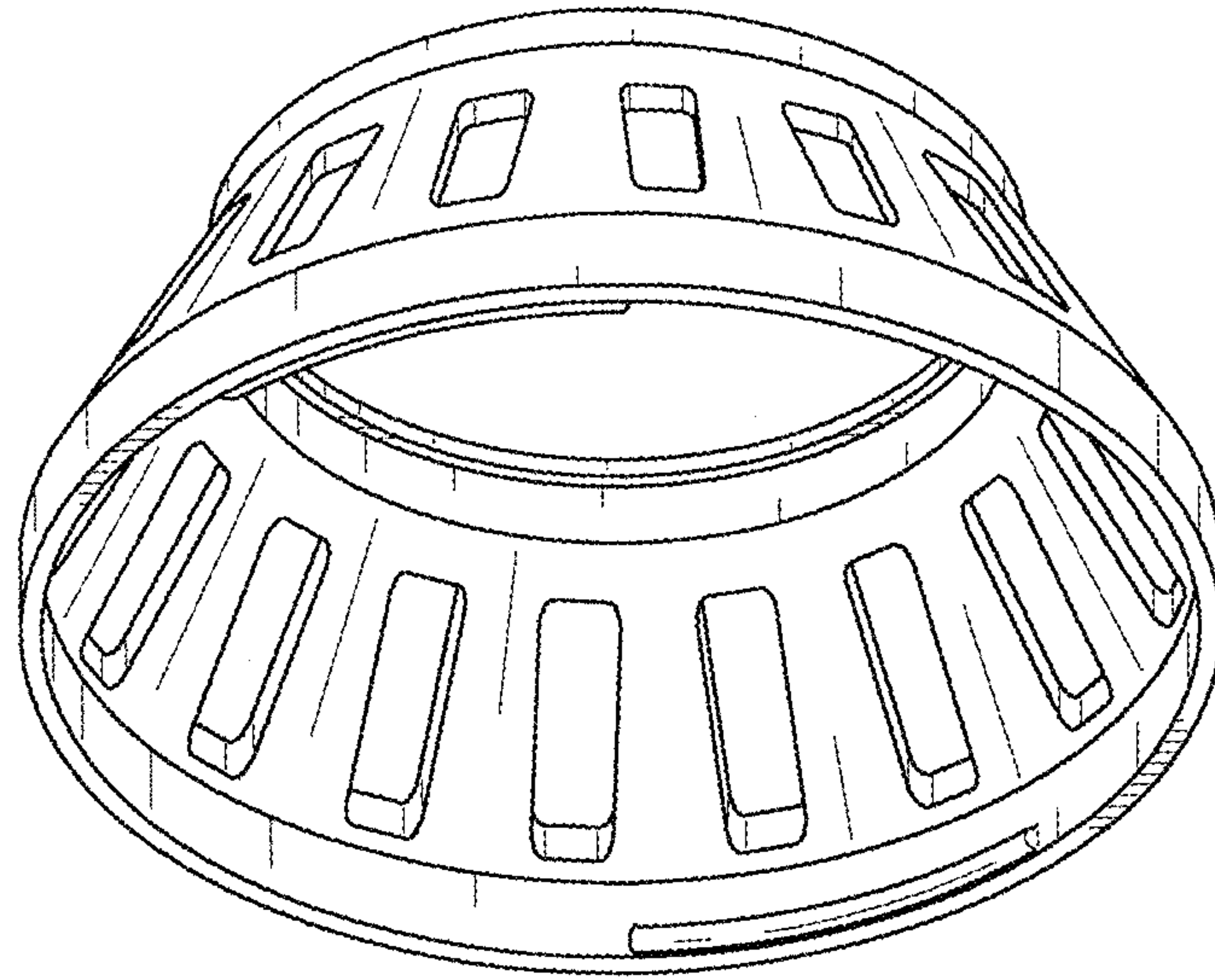


FIG. 4

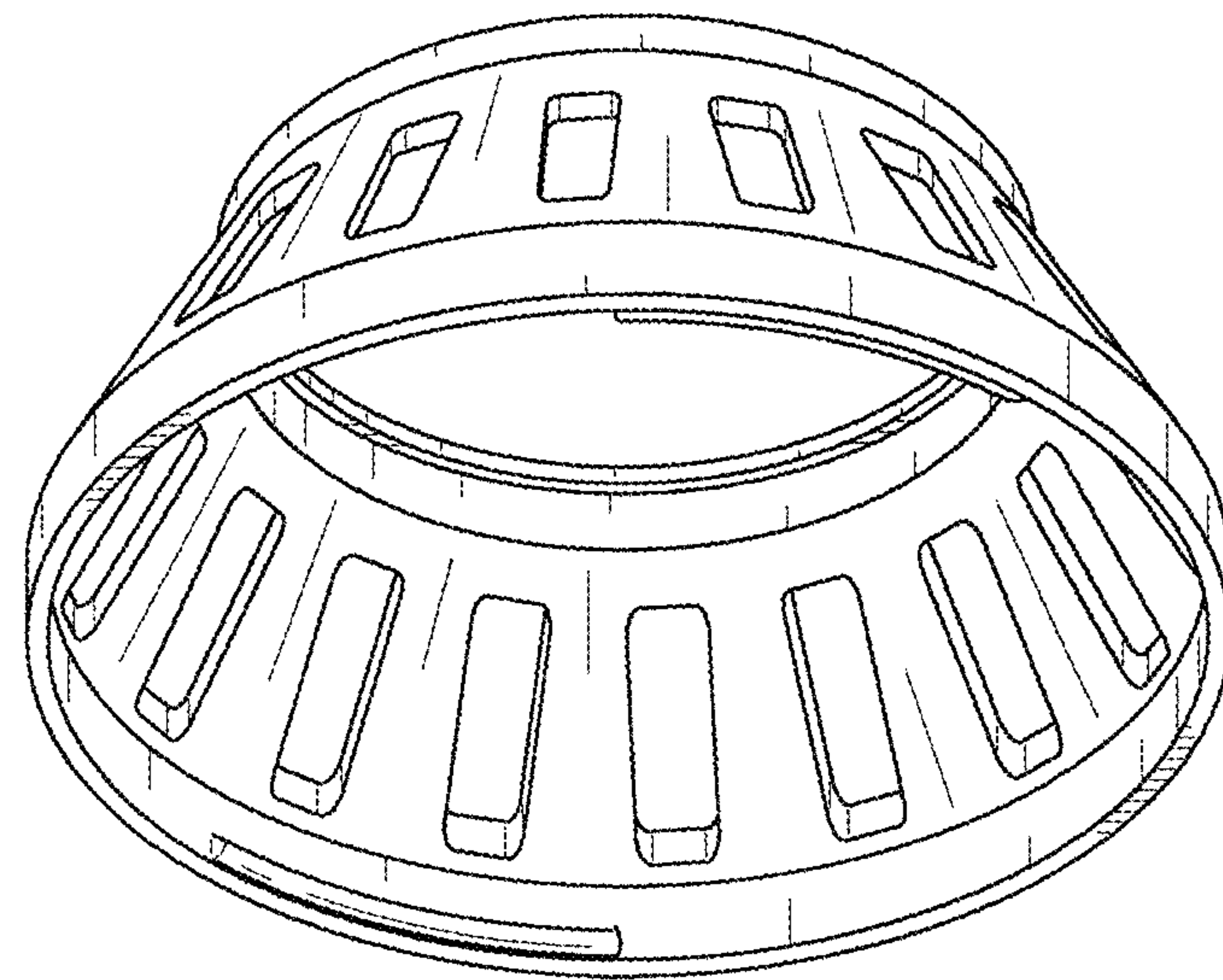


FIG. 5

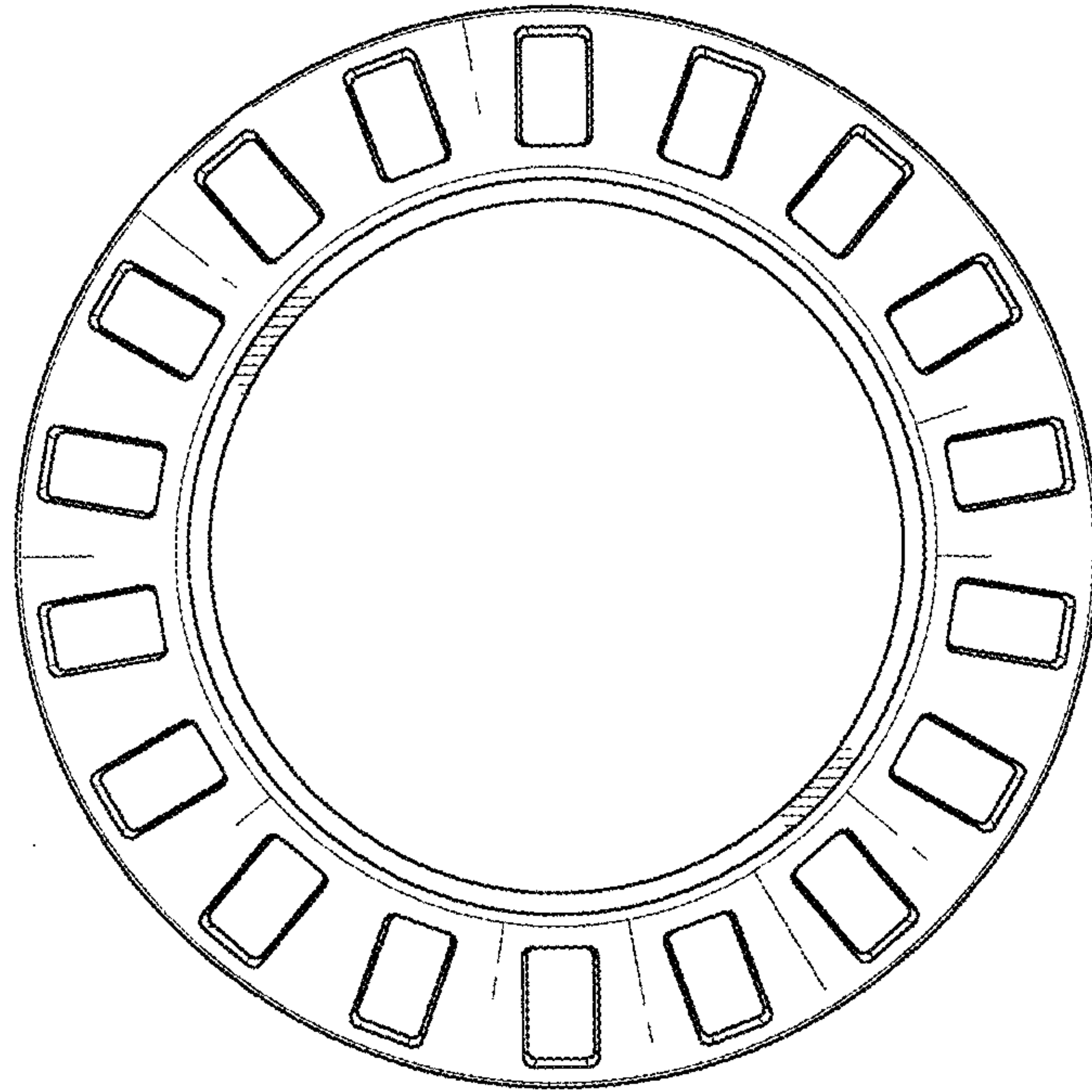


FIG. 6

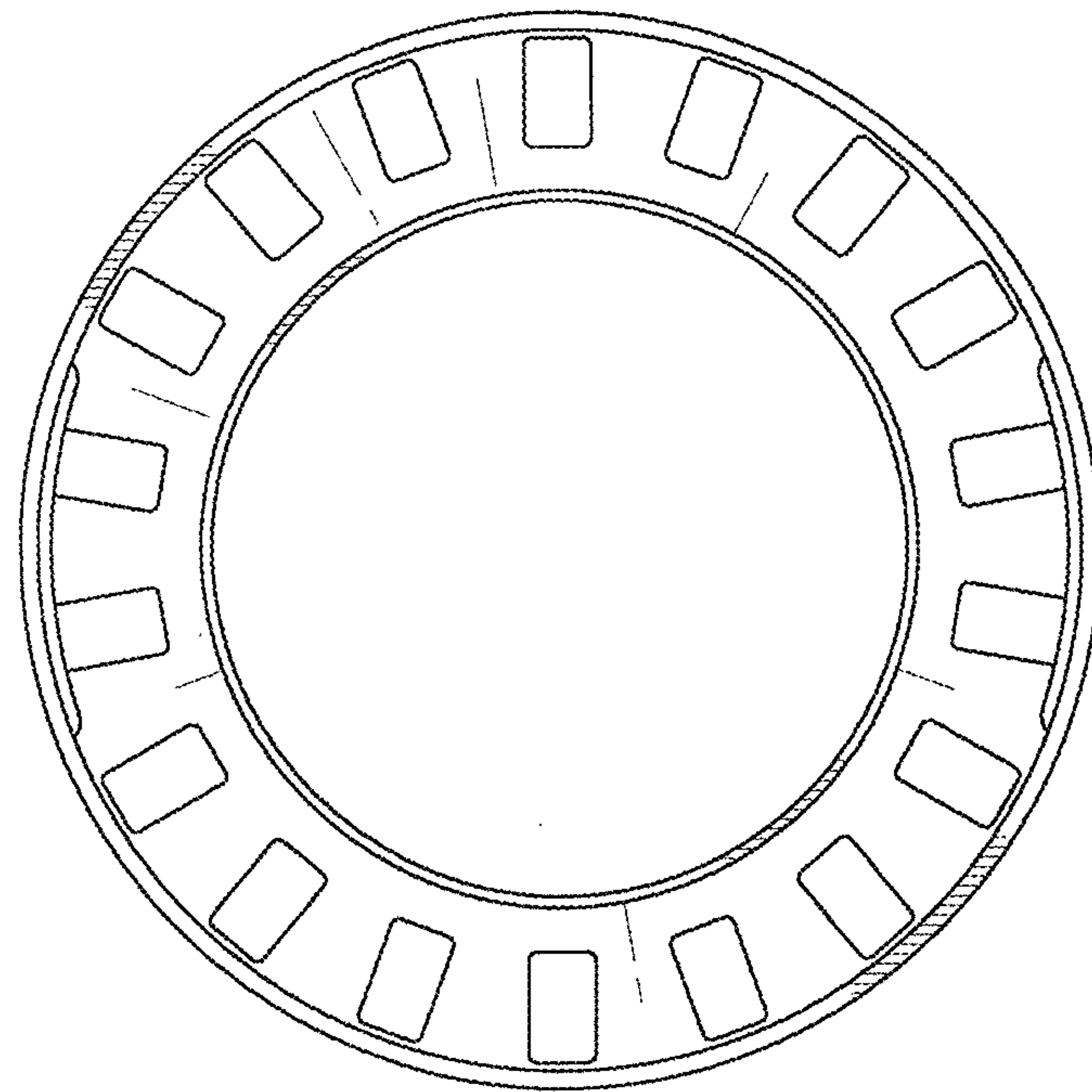


FIG. 7

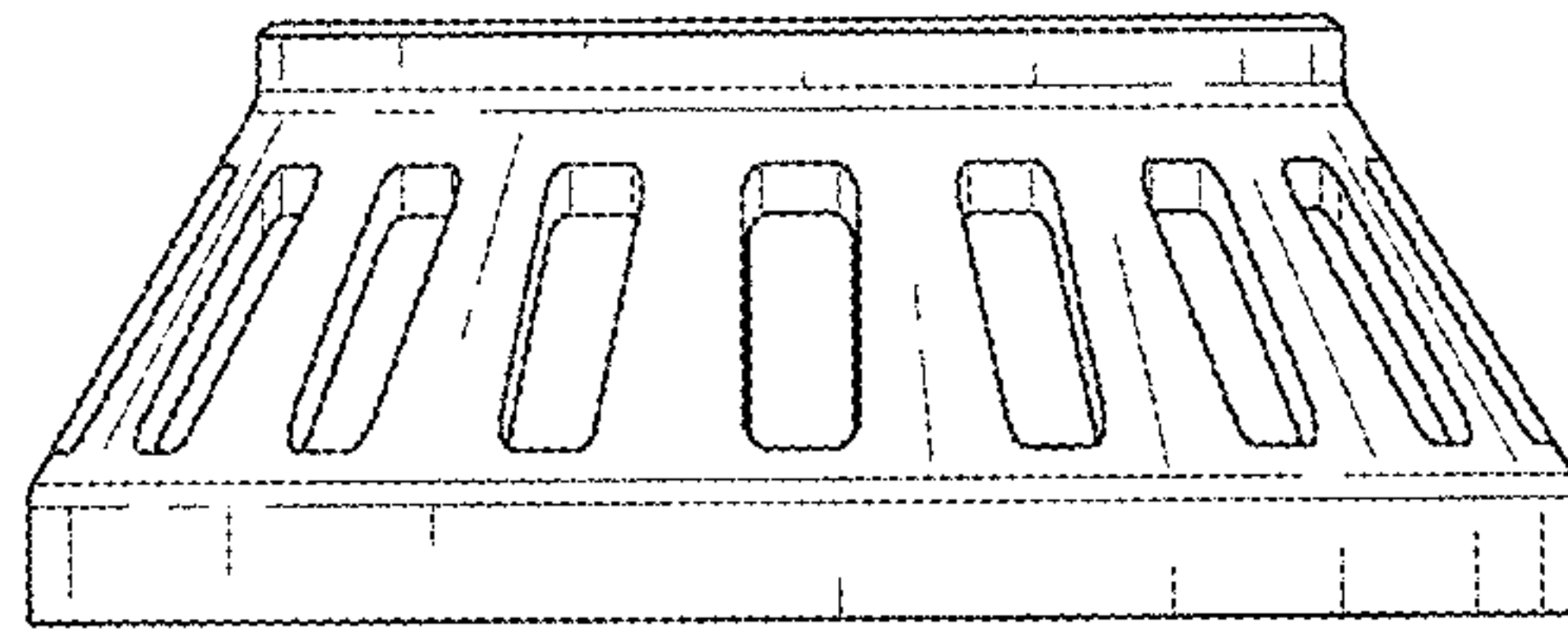


FIG. 8

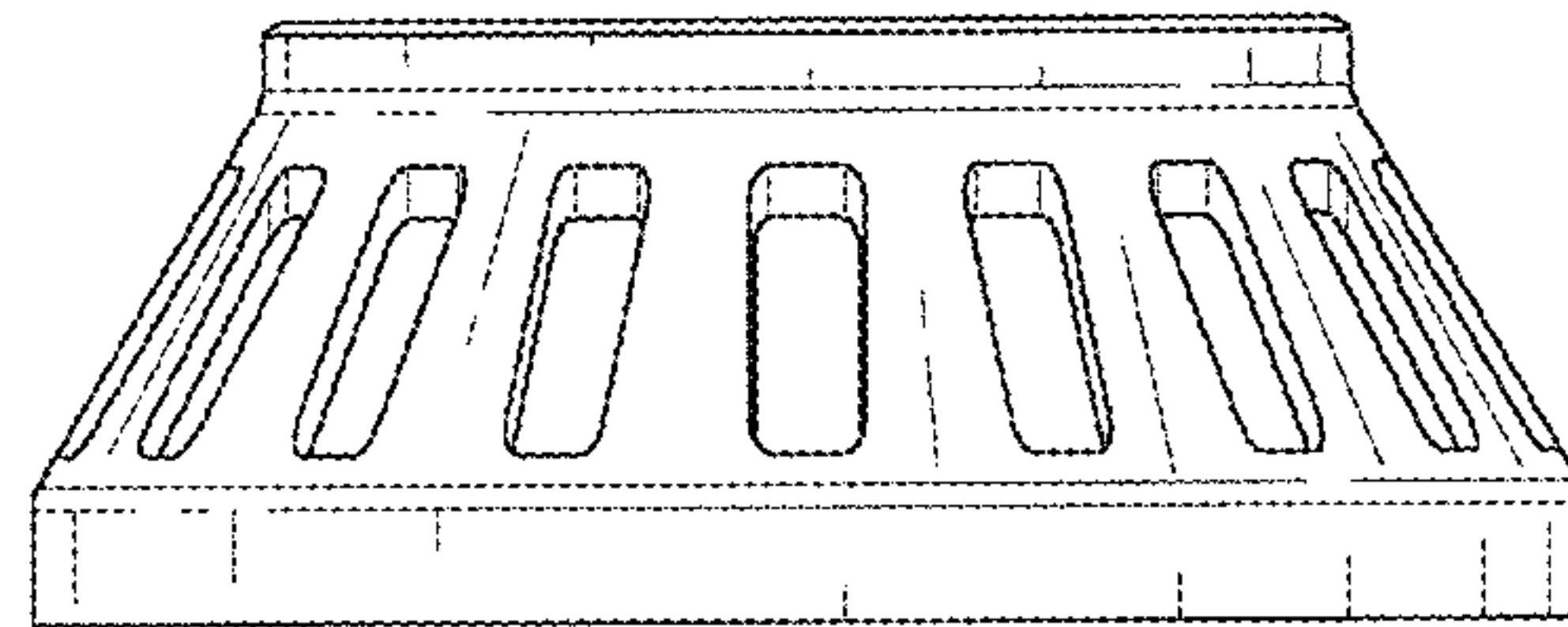


FIG. 9

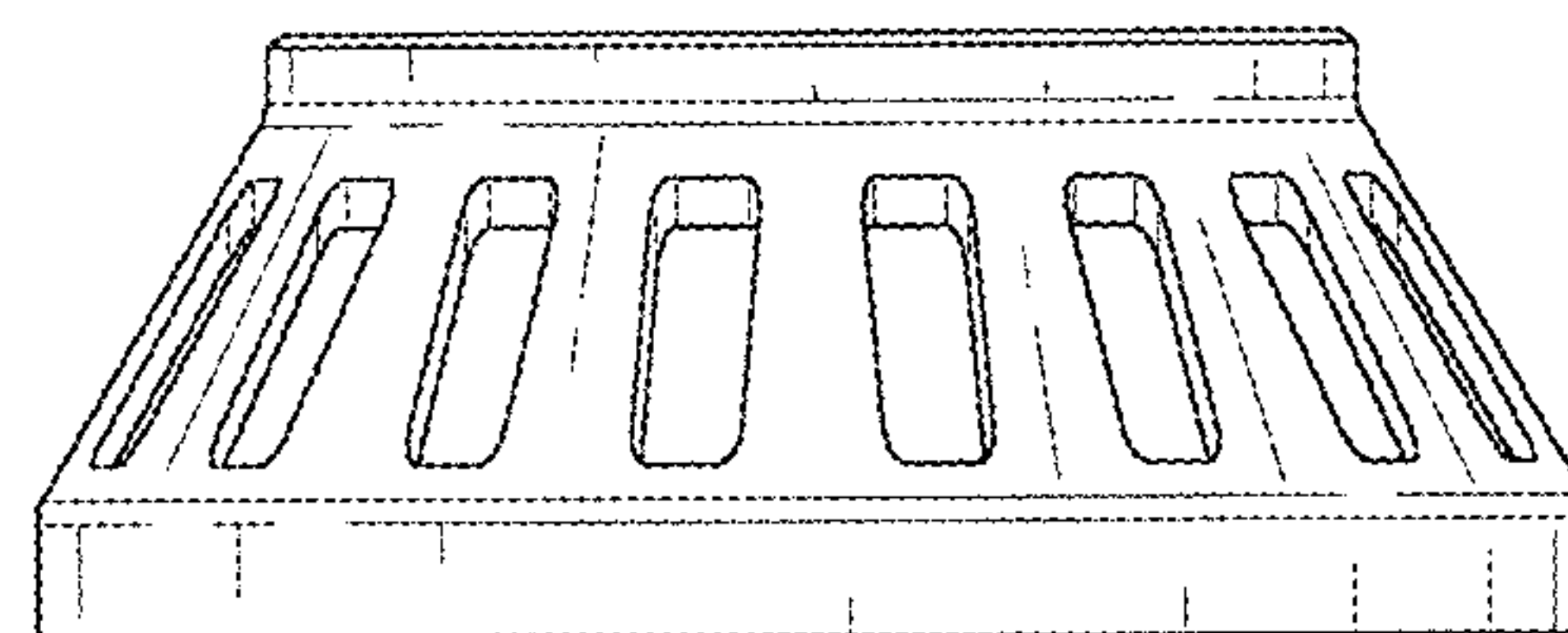


FIG. 10

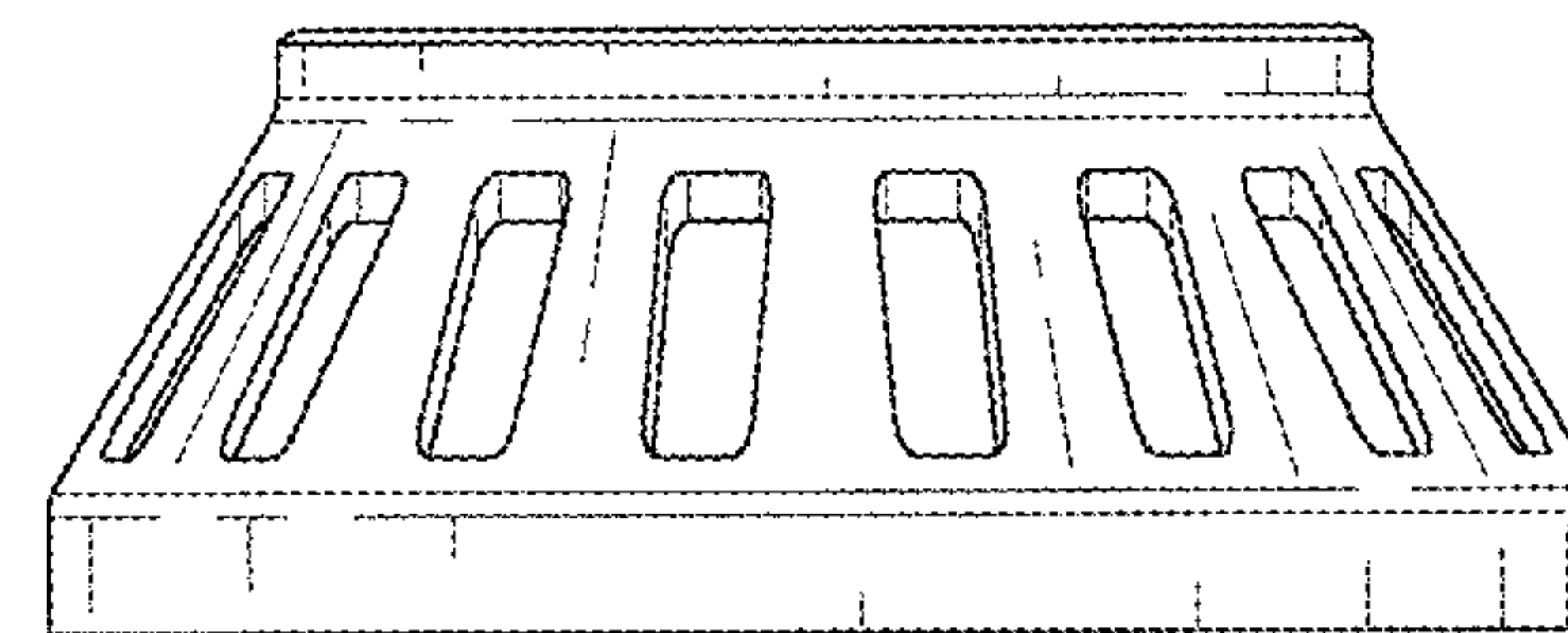


FIG. 11