



US00D807171S

(12) **United States Design Patent** (10) **Patent No.:** **US D807,171 S**
Miller (45) **Date of Patent:** **** Jan. 9, 2018**

(54) **CONTAINER LID WITH DEPRESSION FOR AN IMPLEMENT**

(71) Applicant: **Anchor Hocking, LLC**, Lancaster, OH (US)

(72) Inventor: **Garet Riley Miller**, Chillicothe, OH (US)

(73) Assignee: **Anchor Hocking, LLC**, Columbus, OH (US)

(**) Term: **15 Years**

(21) Appl. No.: **29/583,238**

(22) Filed: **Nov. 3, 2016**

Related U.S. Application Data

(62) Division of application No. 29/518,780, filed on Feb. 27, 2015, now Pat. No. Des. 786,071.

(51) **LOC (11) Cl.** **09-07**

(52) **U.S. Cl.**
USPC **D9/435**

(58) **Field of Classification Search**
USPC D9/435-436, 447, 453, 485-486, 439, D9/443
CPC A45D 34/00; B65D 41/00; B65D 83/00; B65D 51/005; B65D 47/14; B65D 39/00; B65D 39/16; B65D 42/00; B65D 42/02; B65D 43/32; B65D 45/04; B65D 50/00; B65D 50/02; B65D 51/007; B65D 51/14; B65D 51/145; B65D 51/18; B65D 51/28; B65D 51/2807; B65D 53/02
See application file for complete search history.

(56) **References Cited**

U.S. PATENT DOCUMENTS

1,694,119 A 12/1928 Frank
D123,940 S 12/1940 Worth et al.

2,738,900 A 3/1956 Wenger
2,942,752 A 6/1960 Brunel
3,312,366 A 4/1967 Poris
3,381,876 A 5/1968 Biggins
3,679,093 A 7/1972 Chang
4,232,797 A * 11/1980 Waterbury B65D 17/16
220/260

5,090,572 A 2/1992 DeRoseau
5,197,623 A 3/1993 Wang

(Continued)

FOREIGN PATENT DOCUMENTS

NZ 24771 A * 5/1995
NZ 247711 A 5/1995
WO WO 98/46494 A1 * 10/1998

Primary Examiner — Robin V Webster

Assistant Examiner — Rachel A Voorhies

(74) *Attorney, Agent, or Firm* — Frost Brown Todd LLC

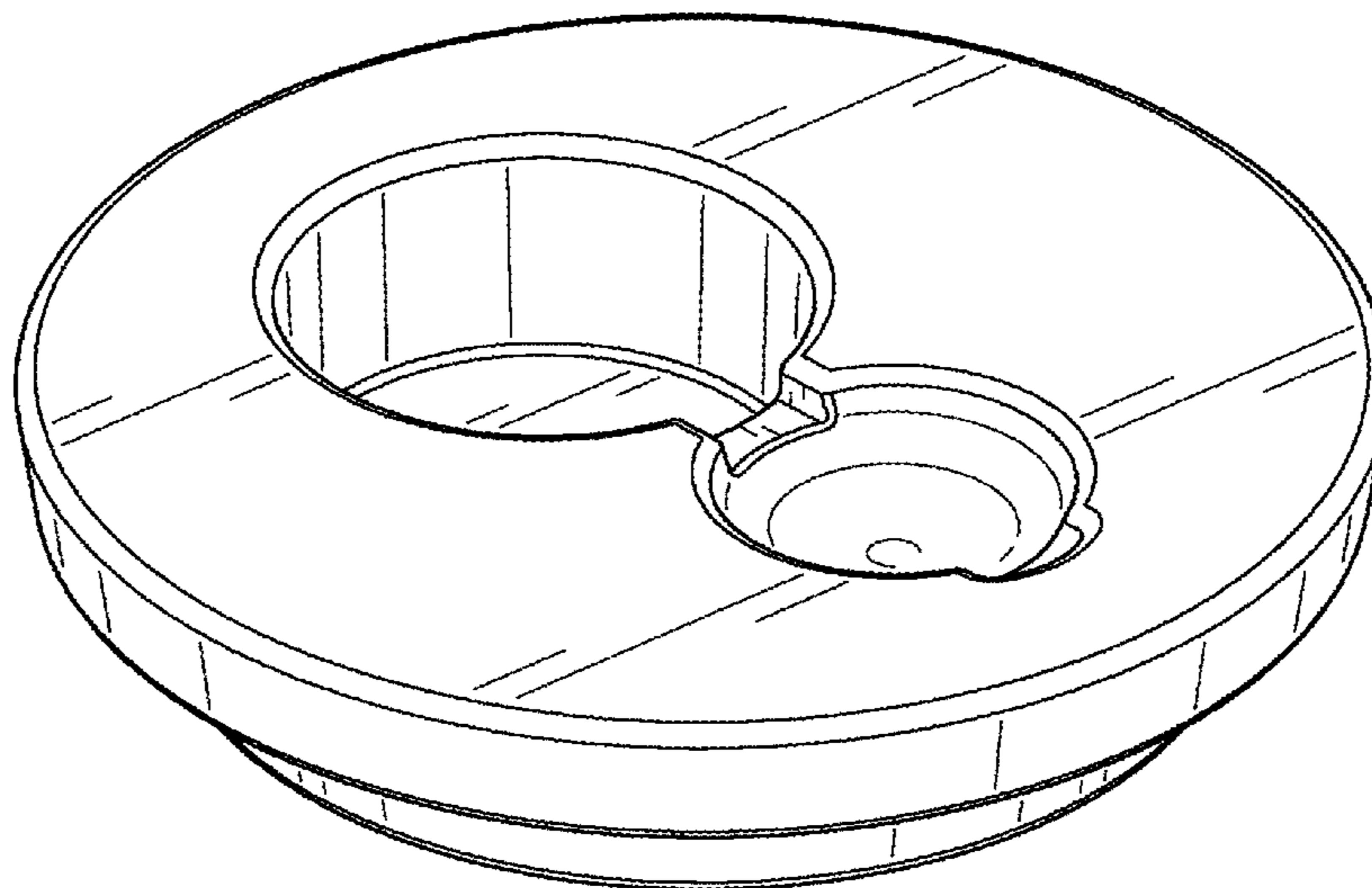
(57) **CLAIM**

The ornamental design for a container lid with depression for an implement, as shown and described.

DESCRIPTION

FIG. 1 is a perspective view of a container lid with depression for an implement illustrating an embodiment of my new design;
FIG. 2 is a top plan view thereof;
FIG. 3 is a bottom plan view thereof;
FIG. 4 is a side elevation view thereof, all sides being identical;
FIG. 5 is a sectional view of the vessel taken along line 5-5 of FIG. 2;
FIG. 6 is a perspective, exploded view showing in broken lines an environment in which the design is used; and,
FIG. 7 is a perspective, assembled view showing in broken lines an environment in which the design is used.
The broken lines are for illustrative purposes only and form no part of the claimed design.

1 Claim, 6 Drawing Sheets



(56)

References Cited

U.S. PATENT DOCUMENTS

5,415,309 A	5/1995	Wang		D642,459 S	8/2011	Samartgis	
5,529,224 A *	6/1996	Chan	B65D 75/58	D642,460 S	8/2011	Samartgis	
			222/107	D642,861 S *	8/2011	Samartgis	D7/392.1
5,706,974 A	1/1998	Murdick et al.		D698,199 S	1/2014	Yessin et al.	
5,868,323 A	2/1999	Cantor		8,651,311 B1	2/2014	Drummond et al.	
5,992,667 A	11/1999	Huang		8,757,421 B2	6/2014	Yang et al.	
6,604,645 B1	8/2003	Vaupotic		D715,646 S	10/2014	Fraser et al.	
6,766,902 B1	7/2004	Hartelius		D737,142 S	8/2015	Brannock	
D522,858 S	6/2006	Snedden et al.		D738,209 S	9/2015	Cetti	
7,168,461 B2	1/2007	DeJonge		D739,729 S *	9/2015	Brannock	D9/447
7,175,041 B2	2/2007	Ekkert		9,463,920 B2 *	10/2016	Crossley	B65D 43/0204
7,197,831 B2 *	4/2007	Nepil	B44D 3/38	D770,895 S *	11/2016	Brown	D7/900
			220/375	9,550,611 B2 *	1/2017	Hodge	B65D 43/0212
D562,680 S	2/2008	Vrhovski		D782,310 S *	3/2017	Li	D9/434
D585,698 S	2/2009	Trombly		D786,071 S *	5/2017	Miller	D9/435
D595,131 S	6/2009	Dibnah et al.		D790,339 S *	6/2017	Samartgis	D9/443
D642,049 S	7/2011	Samartgis		D794,449 S *	8/2017	Polt	D9/434
D642,050 S	7/2011	Samartgis		9,731,883 B2 *	8/2017	Scholvinck	B65D 77/2036
D642,051 S	7/2011	Samartgis		2002/0130057 A1	9/2002	Salyers	
D642,052 S	7/2011	Samartgis		2005/0247585 A1	11/2005	Breckwoldt et al.	
D642,053 S	7/2011	Samartgis		2010/0126992 A1	5/2010	Phillips	
D642,054 S	7/2011	Samartgis		2011/0226768 A1	9/2011	Sexton et al.	
D642,457 S	8/2011	Samartgis		2011/0284554 A1	11/2011	Ray et al.	
D642,458 S	8/2011	Samartgis		2012/0321756 A1	12/2012	Estabrook et al.	
				2013/0119065 A1	5/2013	Buck	
				2014/0042164 A1	2/2014	Zabaleta et al.	

* cited by examiner

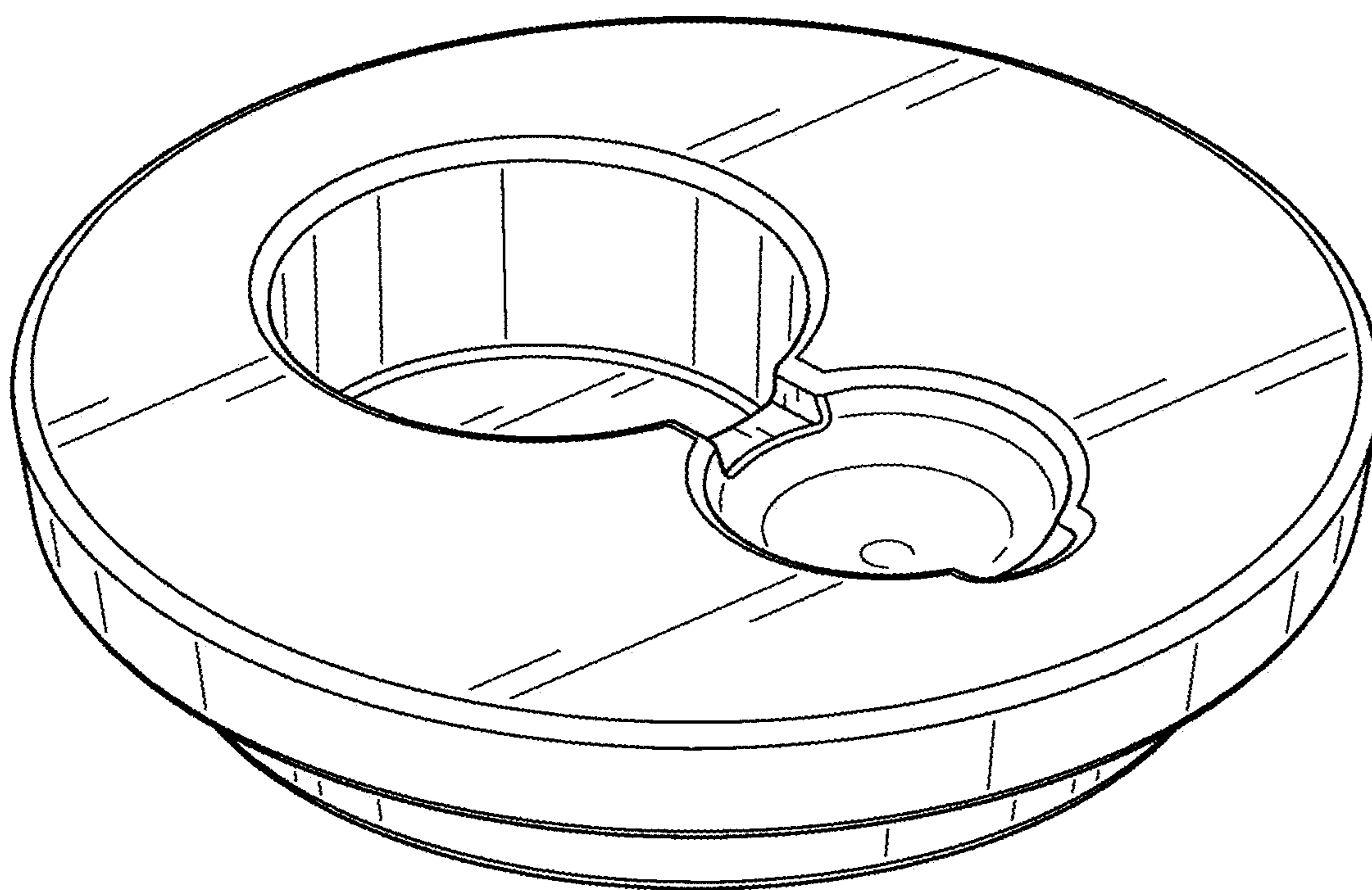


FIG. 1

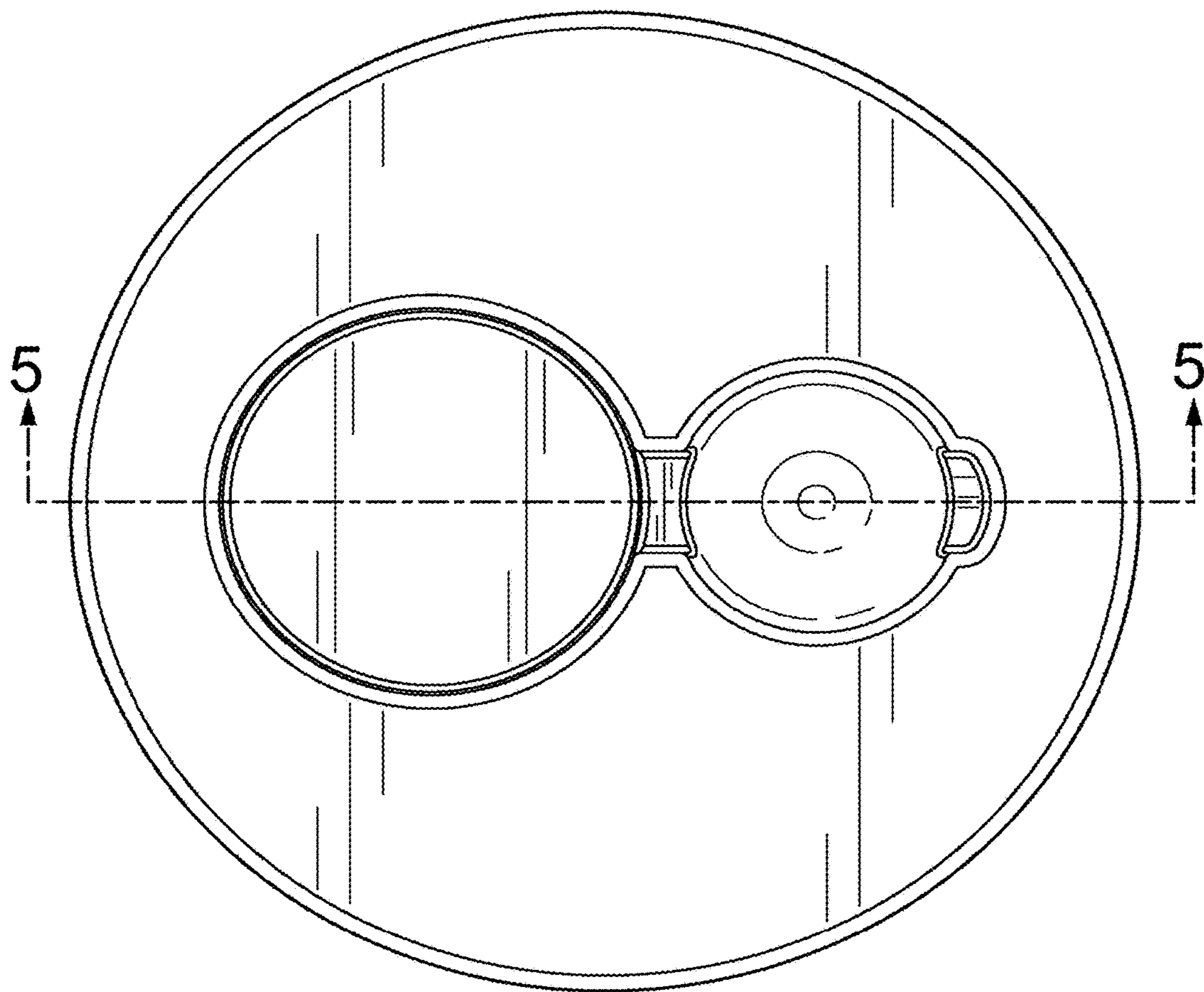


FIG. 2

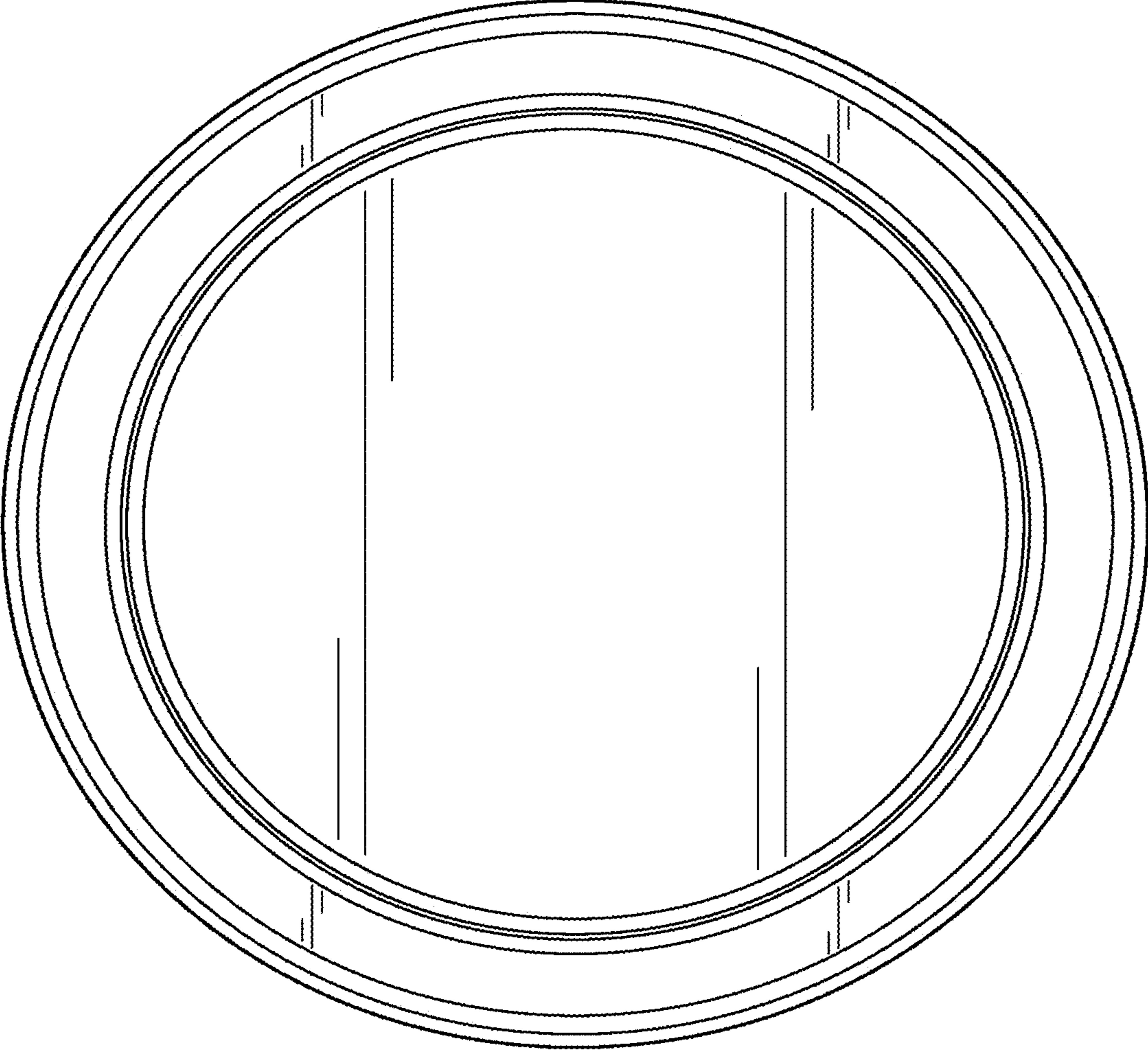


FIG. 3

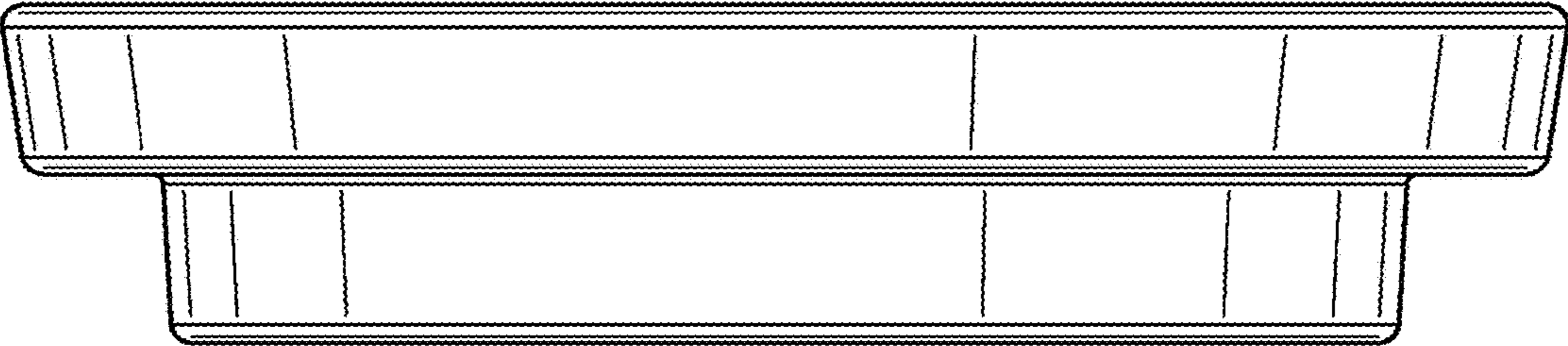


FIG. 4

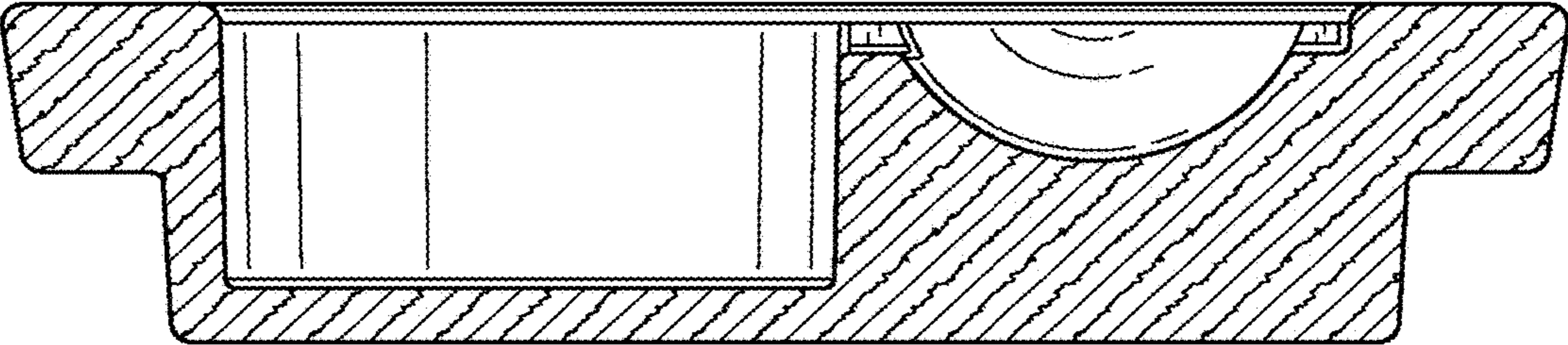


FIG. 5

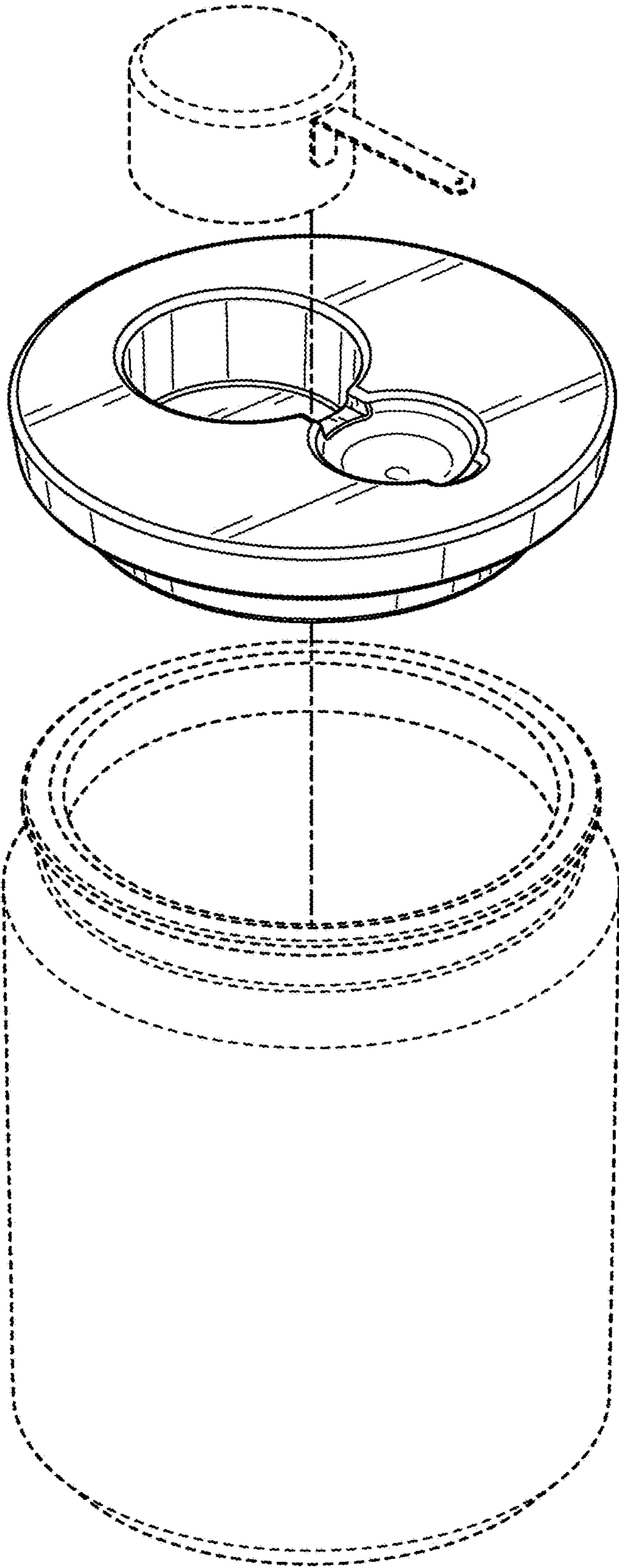


FIG. 6

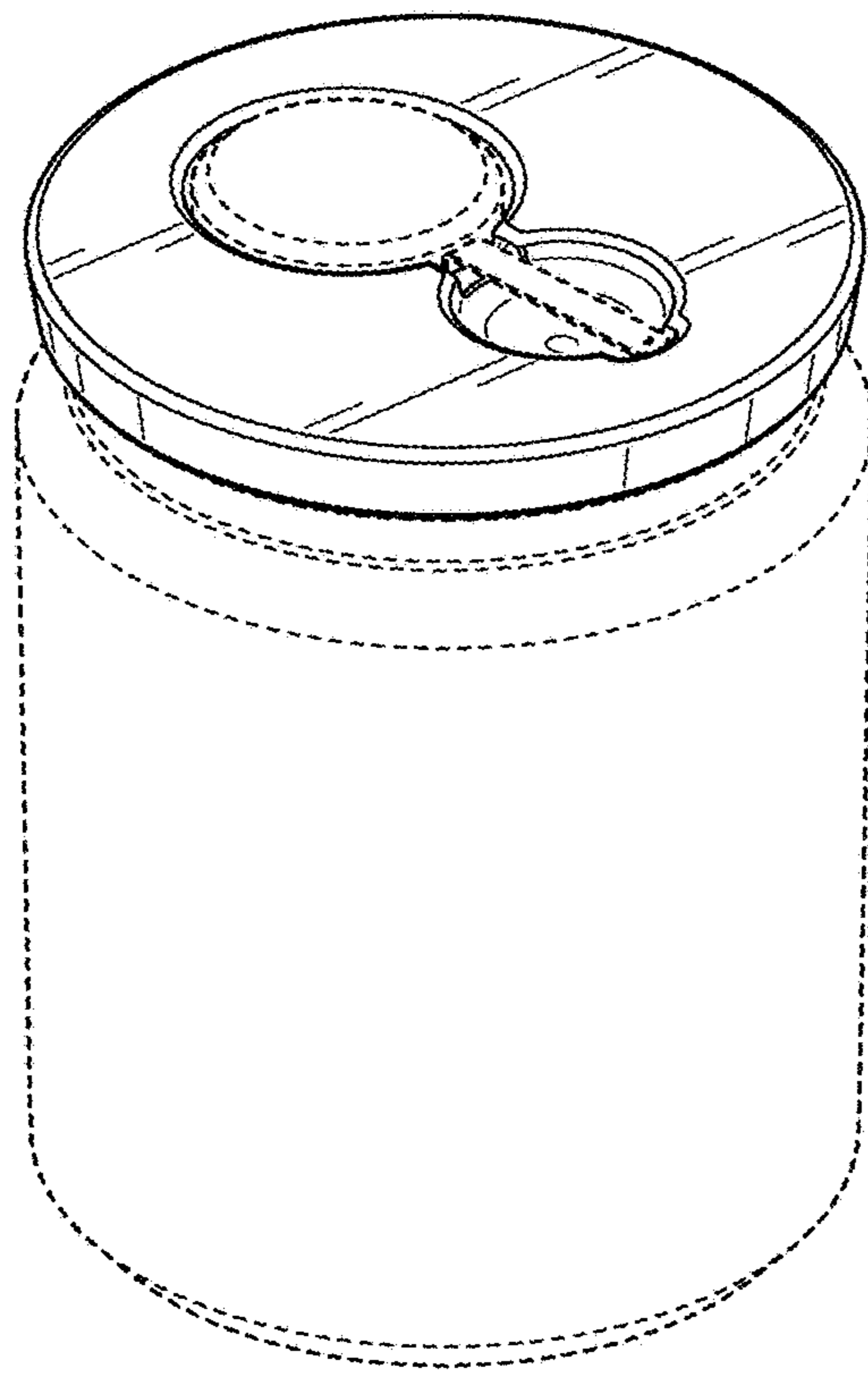


FIG. 7