



US00D807169S

(12) **United States Design Patent**
Pickard et al.

(10) **Patent No.:** **US D807,169 S**
(45) **Date of Patent:** **** Jan. 9, 2018**

(54) **PACKAGING CONTAINER FOR PRODUCE**

(71) Applicant: **ORORA PACKAGING SOLUTIONS,**
Buena Park, CA (US)

(72) Inventors: **Keith Pickard,** Ontario (CA); **Charles Erway,** Cadillac, MI (US)

(73) Assignee: **ORORA PACKAGING SOLUTIONS,**
Buena Park, CA (US)

(**) Term: **15 Years**

(21) Appl. No.: **29/595,604**

(22) Filed: **Feb. 28, 2017**

Related U.S. Application Data

(62) Division of application No. 29/562,176, filed on Apr. 22, 2016, now Pat. No. Des. 789,195.

(51) **LOC (11) Cl.** **09-03**

(52) **U.S. Cl.**
USPC **D9/425**

(58) **Field of Classification Search**
USPC D7/602, 608, 629; D9/424-426, 429,
D9/432; 206/501-509; 220/781, 791,
220/793, 811-813, 835, 839

(Continued)

(56) **References Cited**

U.S. PATENT DOCUMENTS

D195,375 S 6/1963 Bostrom
D211,682 S 7/1968 Elcholtz et al.

(Continued)

FOREIGN PATENT DOCUMENTS

JP 06-071478 10/1994
WO WO 2015/076490 5/2015

OTHER PUBLICATIONS

International Search Report and Written Opinion for PCT/US2017/024023 dated Jun. 26, 2017, 14 pgs.

(Continued)

Primary Examiner — Derrick Holland

Assistant Examiner — Janice Lim

(74) *Attorney, Agent, or Firm* — Martin & Ferraro, LLP

(57) **CLAIM**

The ornamental design for a packaging container for produce, as shown and described.

DESCRIPTION

FIG. 1 is a top, front, and right side perspective view of a packaging container for produce in accordance with a first embodiment of the present invention;

FIG. 2 is a bottom, rear, and left side perspective view of the packaging container for produce of FIG. 1;

FIG. 3 is a front elevational view of the packaging container for produce of FIG. 1;

FIG. 4 is a rear elevational view of the packaging container for produce of FIG. 1;

FIG. 5 is a left side elevational view of the packaging container for produce of FIG. 1;

FIG. 6 is a right side elevational view of the packaging container for produce of FIG. 1;

FIG. 7 is a top plan view of the packaging container for produce of FIG. 1;

FIG. 8 is a bottom plan view of the packaging container for produce of FIG. 1;

FIG. 9 is a cross-sectional view of the packaging container for produce of FIG. 1, taken along line 9-9 in FIG. 7;

FIG. 10 is a top, front, and right side perspective view of a packaging container for produce in accordance with a second embodiment of the present invention;

FIG. 11 is a bottom, rear, and left side perspective view of the packaging container for produce of FIG. 10;

FIG. 12 is a front elevational view of the packaging container for produce of FIG. 10;

FIG. 13 is a rear elevational view of the packaging container for produce of FIG. 10;

FIG. 14 is a left side elevational view of the packaging container for produce of FIG. 10;

FIG. 15 is a right side elevational view of the packaging container for produce of FIG. 10;

FIG. 16 is a top plan view of the packaging container for produce of FIG. 10;

(Continued)

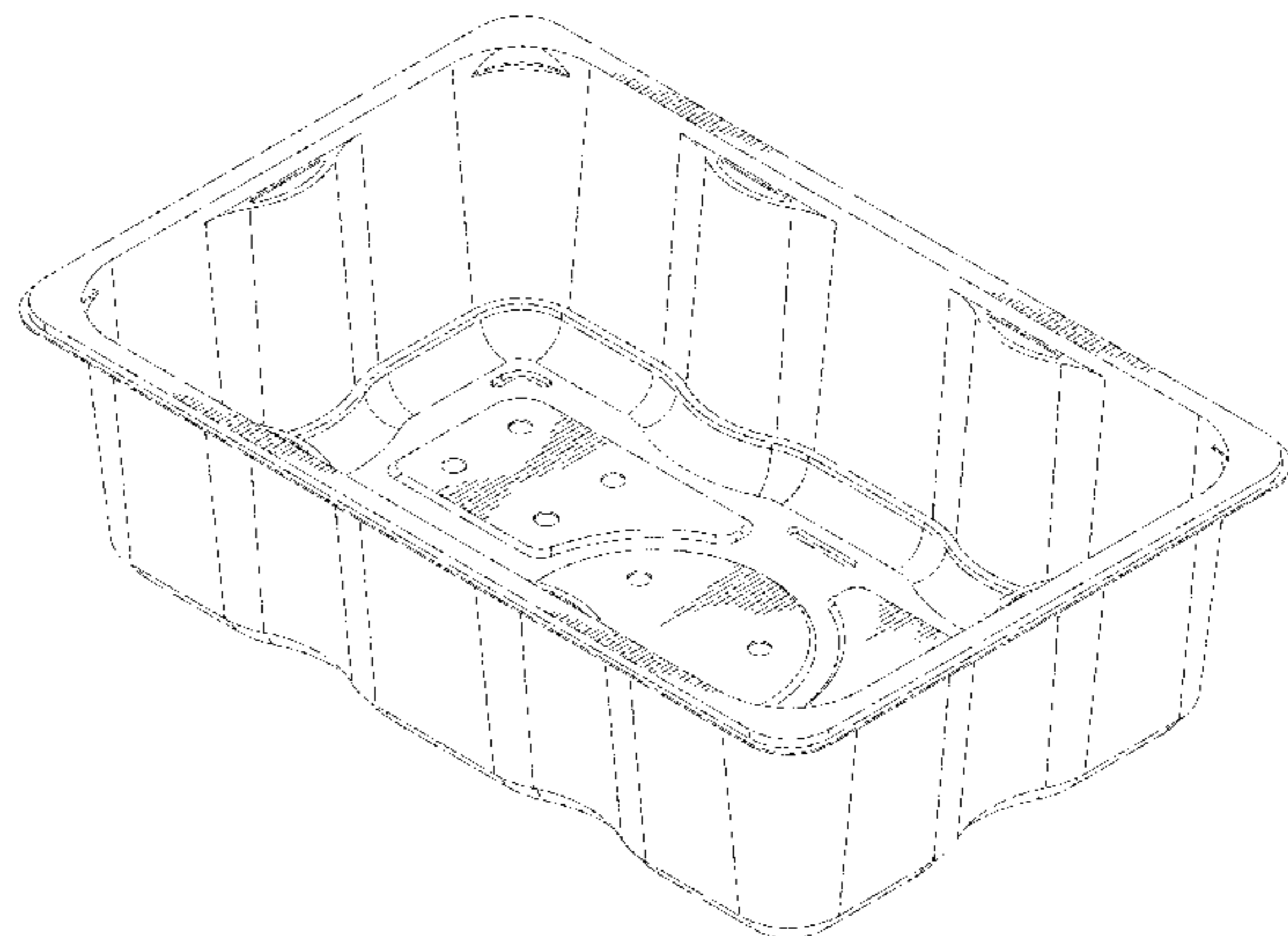
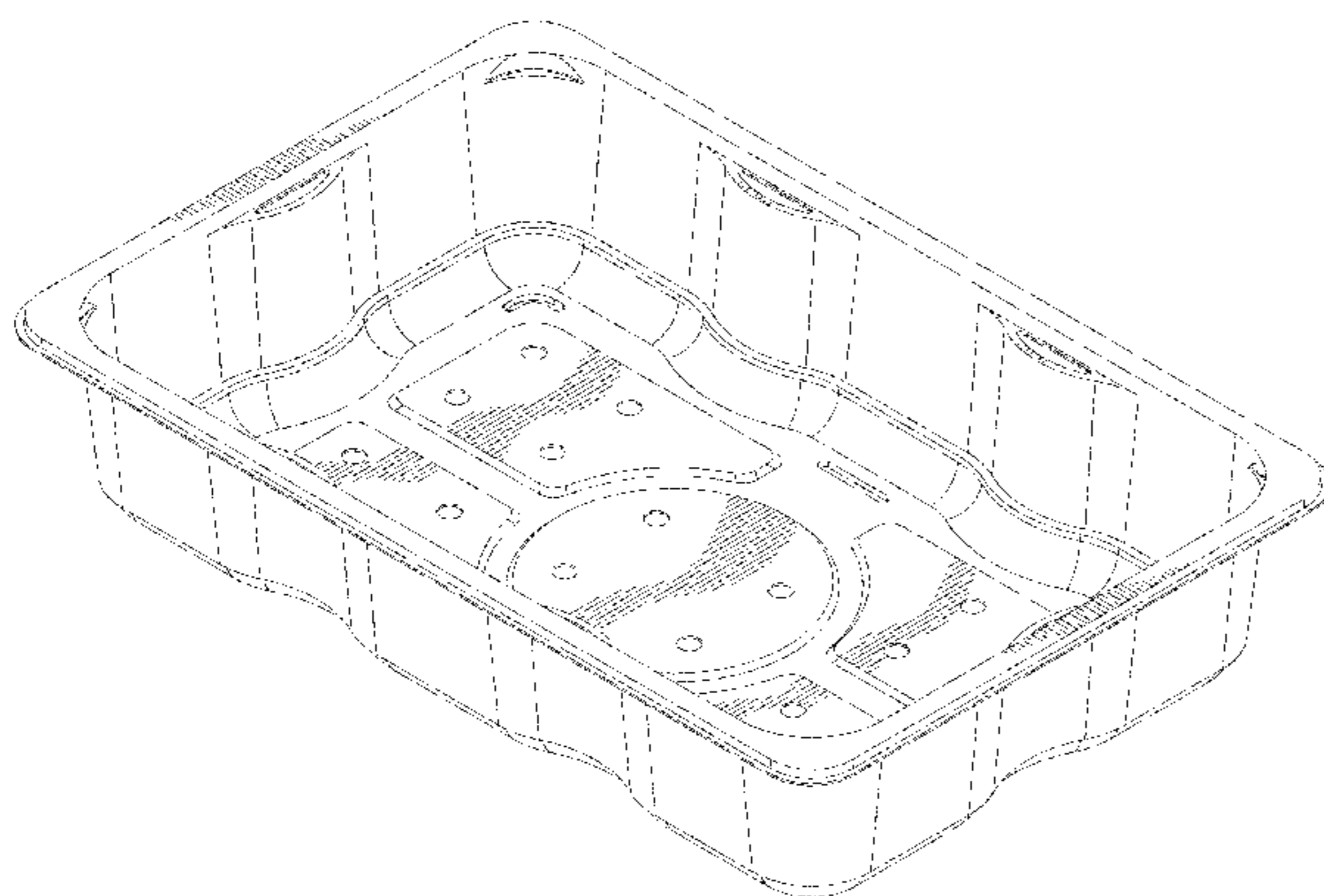


FIG. 17 is a bottom plan view of the packaging container for produce of FIG. 10; and, FIG. 18 is a cross-sectional view of the packaging container for produce of FIG. 1, taken along line 18-18 in FIG. 16.

1 Claim, 14 Drawing Sheets

(58) **Field of Classification Search**

CPC B65D 1/24; B65D 25/04; B65D 43/03; B65D 43/16; B65D 43/0212
See application file for complete search history.

(56) **References Cited**

U.S. PATENT DOCUMENTS

D214,832 S * 8/1969 Bloch D9/425
D275,886 S * 10/1984 Sheward D24/227
D280,590 S 9/1985 Schrage
4,616,762 A * 10/1986 Alexander A47J 36/022
206/503
D296,191 S * 6/1988 Yoshida D9/425
D348,394 S 7/1994 Dreyer
D370,345 S 6/1996 Wolff
D378,039 S * 2/1997 Ferris D7/602
D378,552 S 3/1997 Lippisch
D395,756 S 7/1998 Tanji
D398,151 S 9/1998 Ahern, Jr.
D415,935 S 11/1999 Martinez
D429,965 S 8/2000 Hayes et al.
D485,473 S 1/2004 Dais et al.
D492,844 S 7/2004 Ramirez et al.
D496,272 S 9/2004 Jackson et al.
D502,096 S 2/2005 Wilcock et al.
D514,441 S 2/2006 Snedden et al.
D514,931 S 2/2006 Snedden et al.

D558,045 S 12/2007 Templeton
D562,128 S 2/2008 van de Velde
D579,767 S * 11/2008 Wallach D9/416
D586,652 S 2/2009 Wallach
D591,510 S 5/2009 Auer et al.
D596,857 S 7/2009 Ahlgrim et al.
D606,811 S 12/2009 Furlong
D606,812 S * 12/2009 Wu D7/629
D648,535 S 11/2011 Reinhart et al.
D649,033 S * 11/2011 Epstein D9/425
D656,369 S 3/2012 Everson
D678,050 S 3/2013 Birchmeier et al.
D685,628 S 7/2013 Durdon et al.
D689,363 S * 9/2013 Sundy D9/429
D692,748 S 11/2013 Short et al.
D696,057 S * 12/2013 Green D7/354
D696,111 S 12/2013 Sundy et al.
D696,938 S * 1/2014 BeVier D7/602
8,777,043 B2 7/2014 Furlong
8,794,440 B2 * 8/2014 BeVier B65D 1/34
206/507
D719,019 S 12/2014 Avis
D730,127 S 5/2015 Maxwell et al.
D772,059 S 11/2016 Urushidani et al.
2004/0118737 A1 6/2004 Welsh et al.
2008/0135556 A1 6/2008 Bontrager et al.
2009/0120937 A1 5/2009 Vovan
2011/0272318 A1 11/2011 Gallop et al.
2012/0006842 A1 1/2012 Overgaag
2013/0015096 A1 * 1/2013 BeVier B65D 1/42
206/557
2015/0157534 A1 6/2015 Van Puijenbroek et al.

OTHER PUBLICATIONS

U.S. Appl. No. 29/562,176, filed Apr. 2016, Pickard et al.
U.S. Appl. No. 29/562,181, filed Apr. 2016, Pickard et al.
U.S. Appl. No. 15/229,023, filed Aug. 2016, Pickard et al.

* cited by examiner

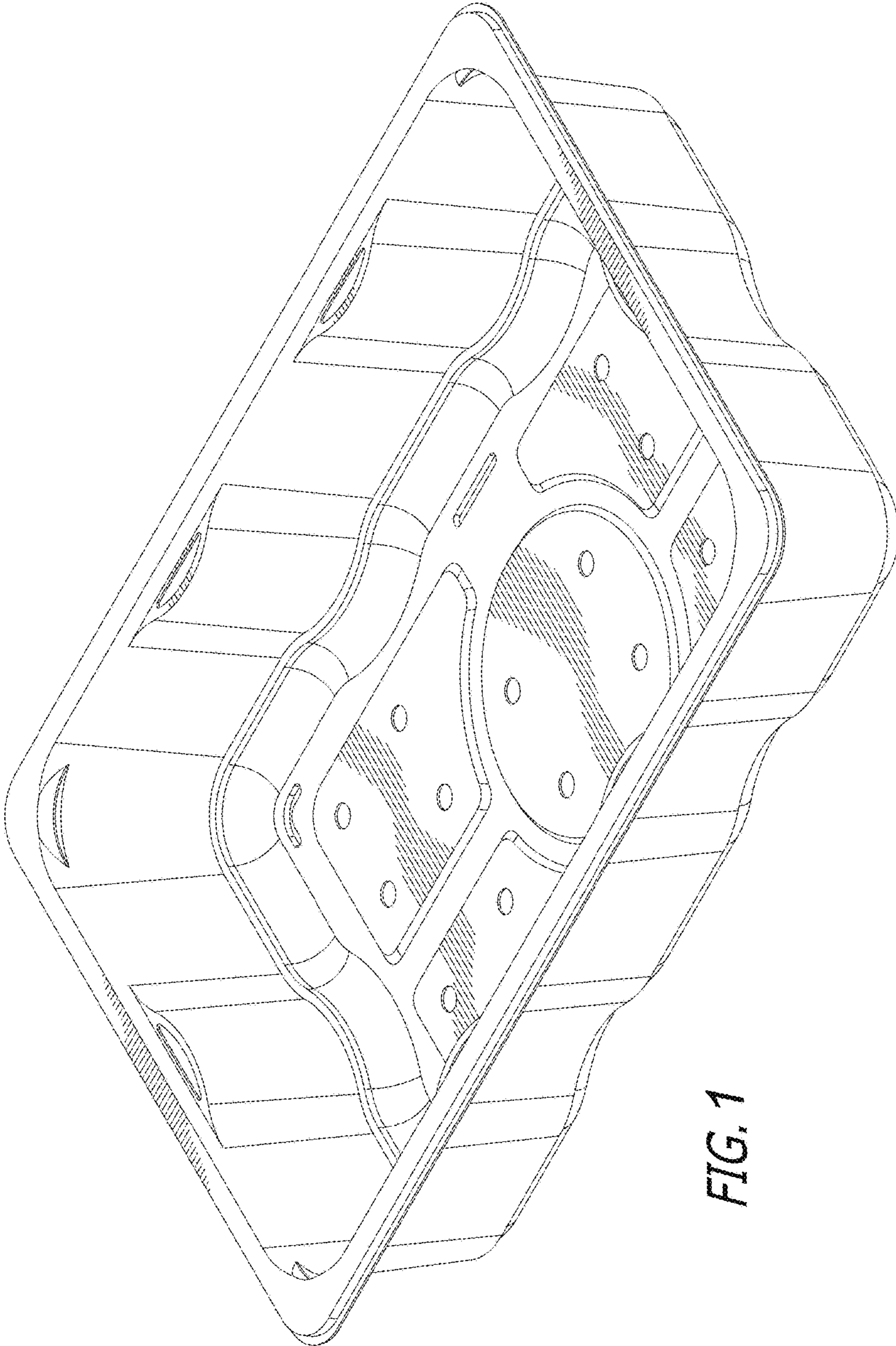


FIG. 1

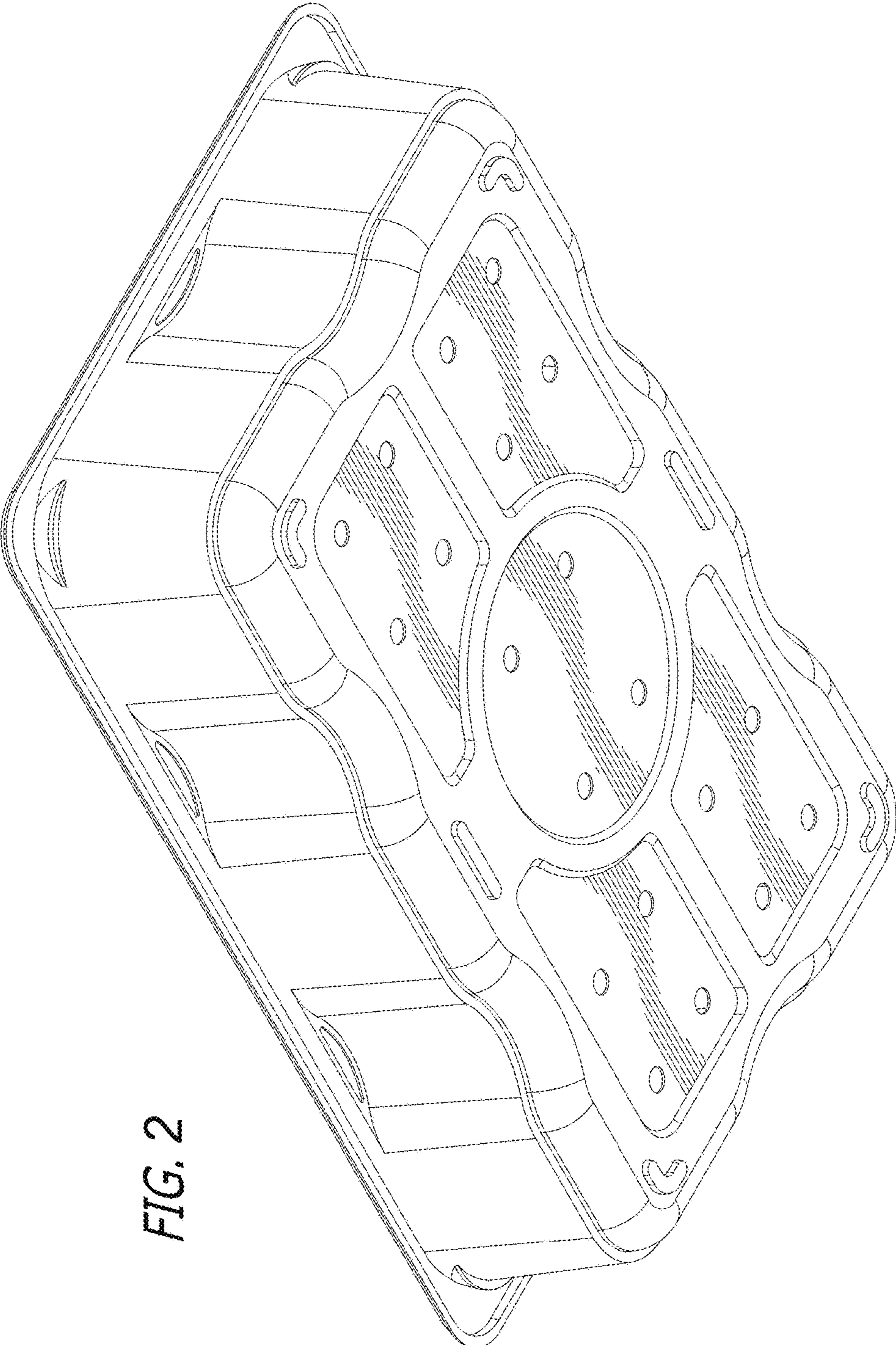
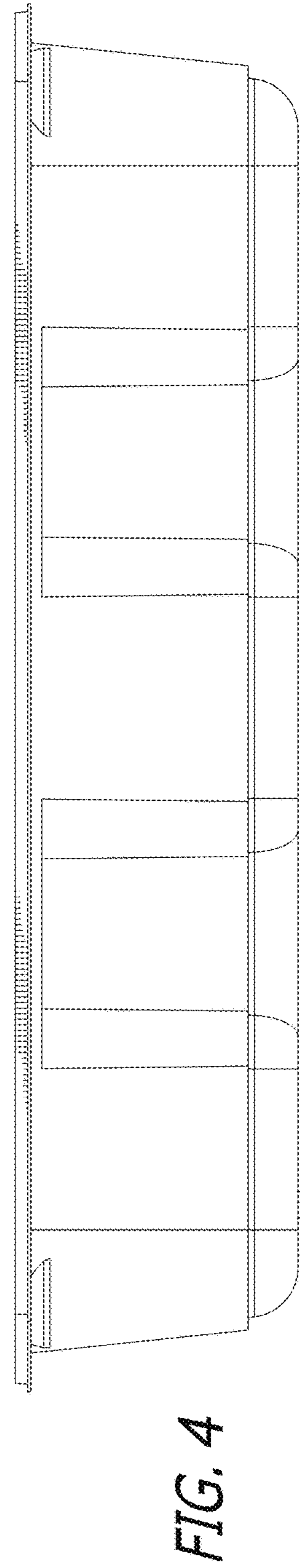
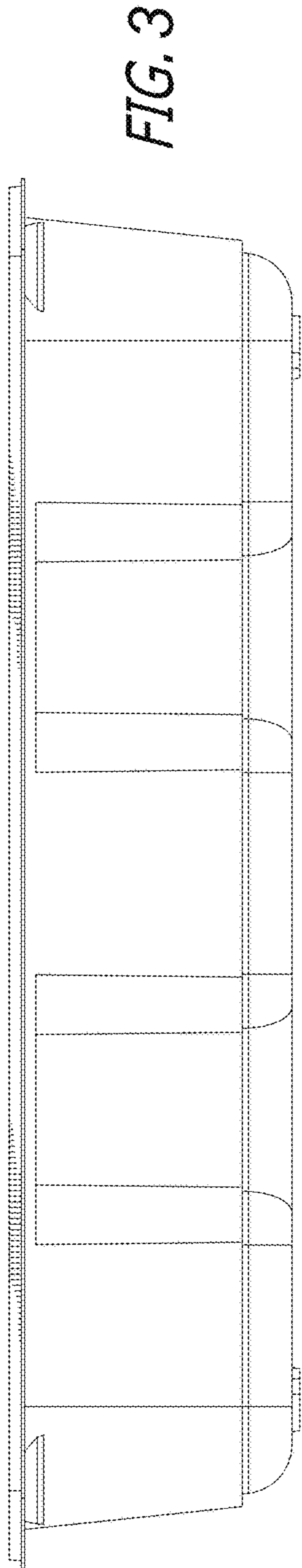


FIG. 2



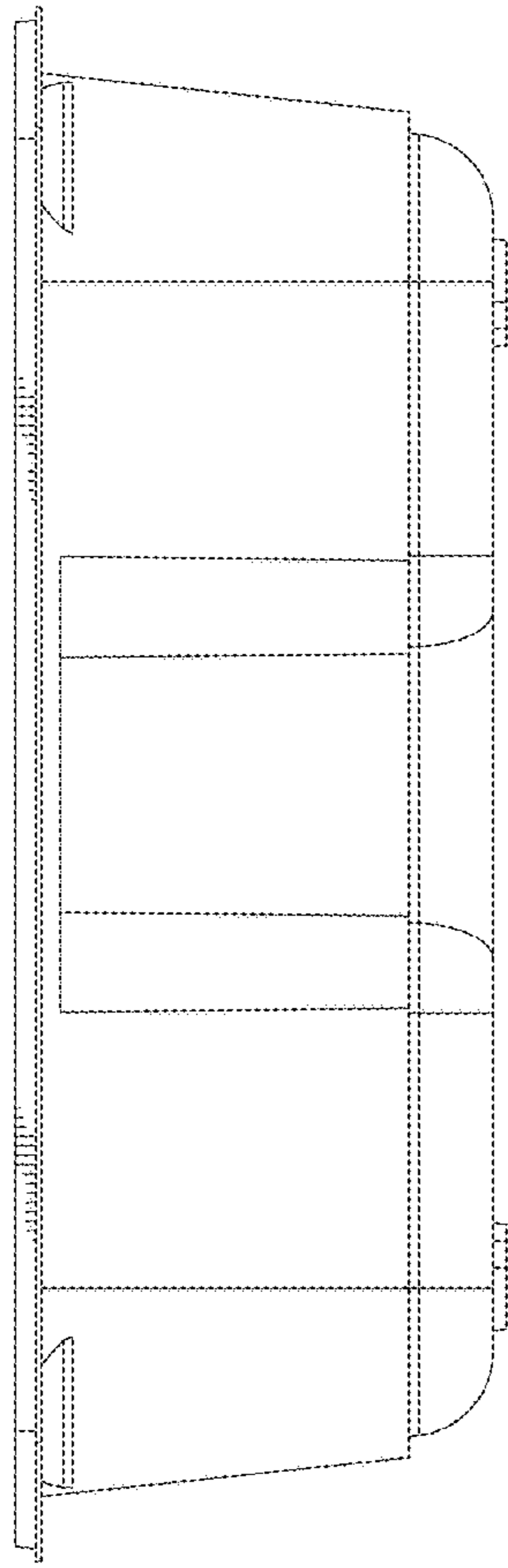


FIG. 5

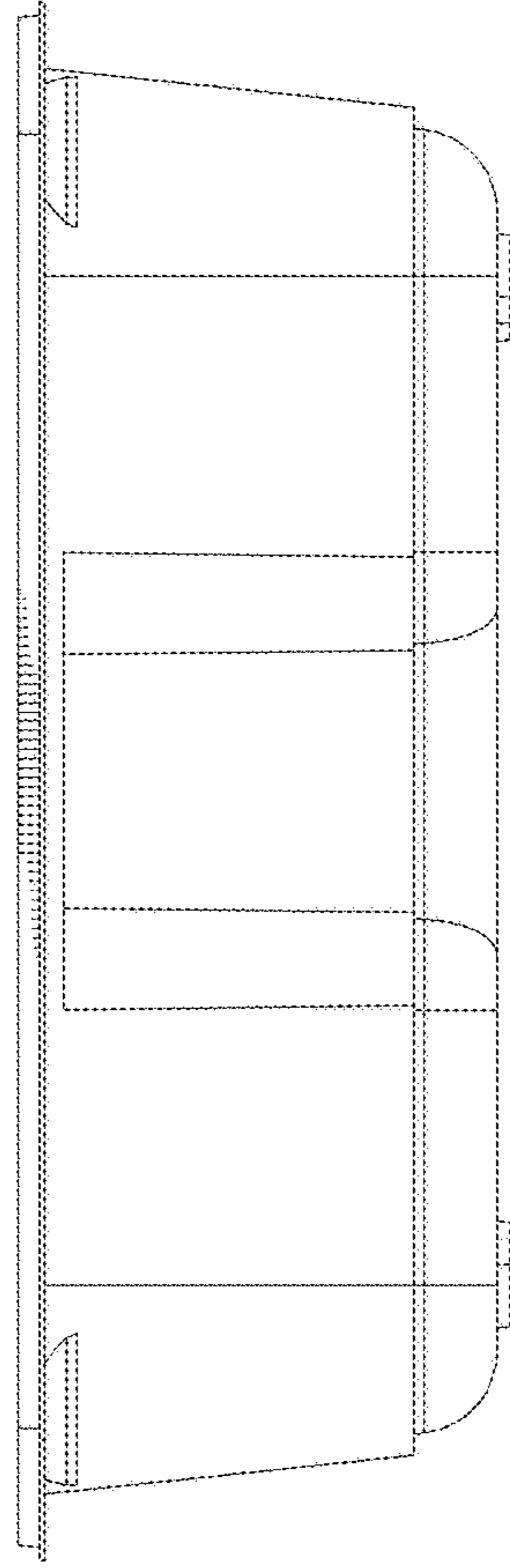


FIG. 6

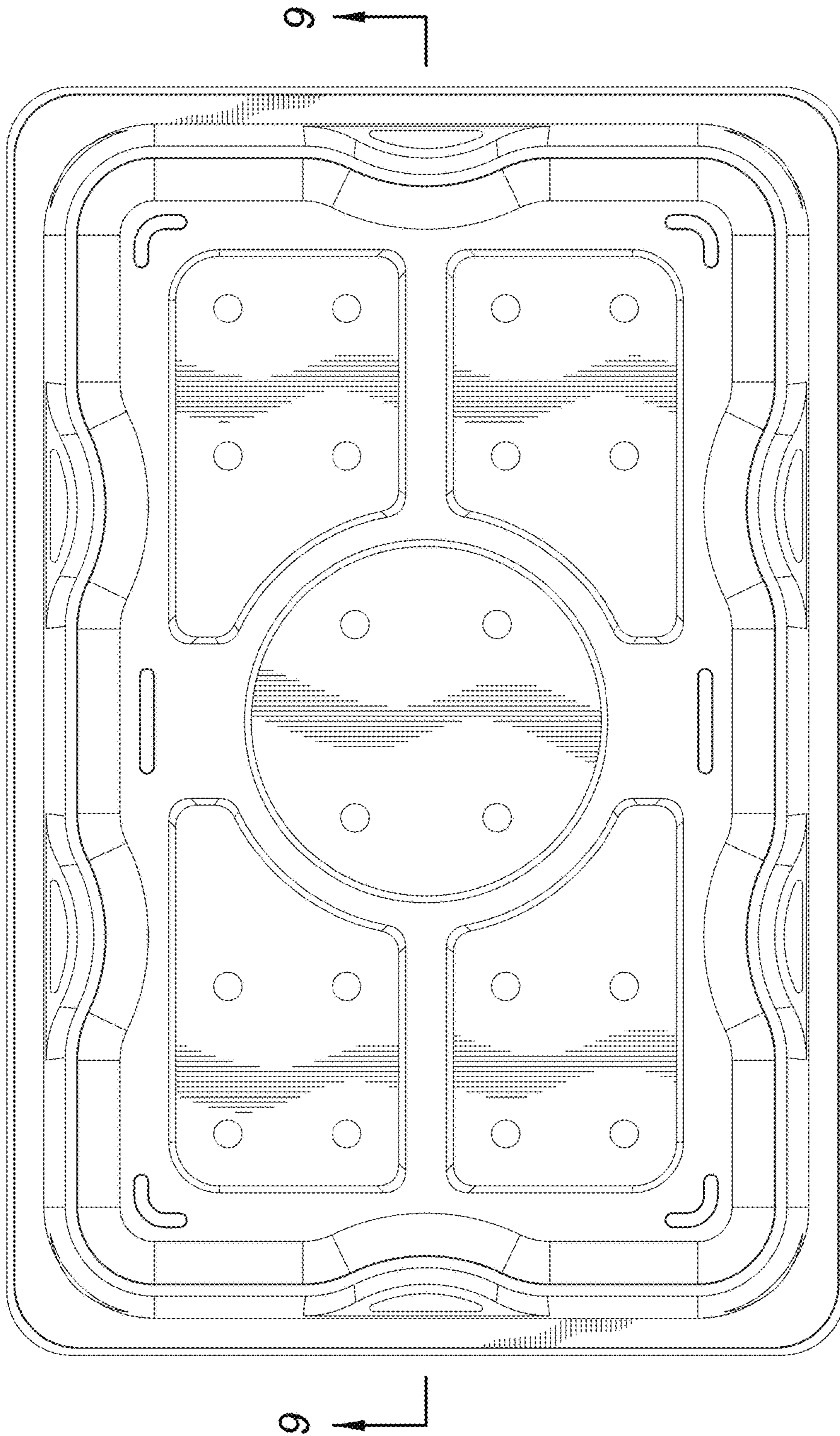


FIG. 7

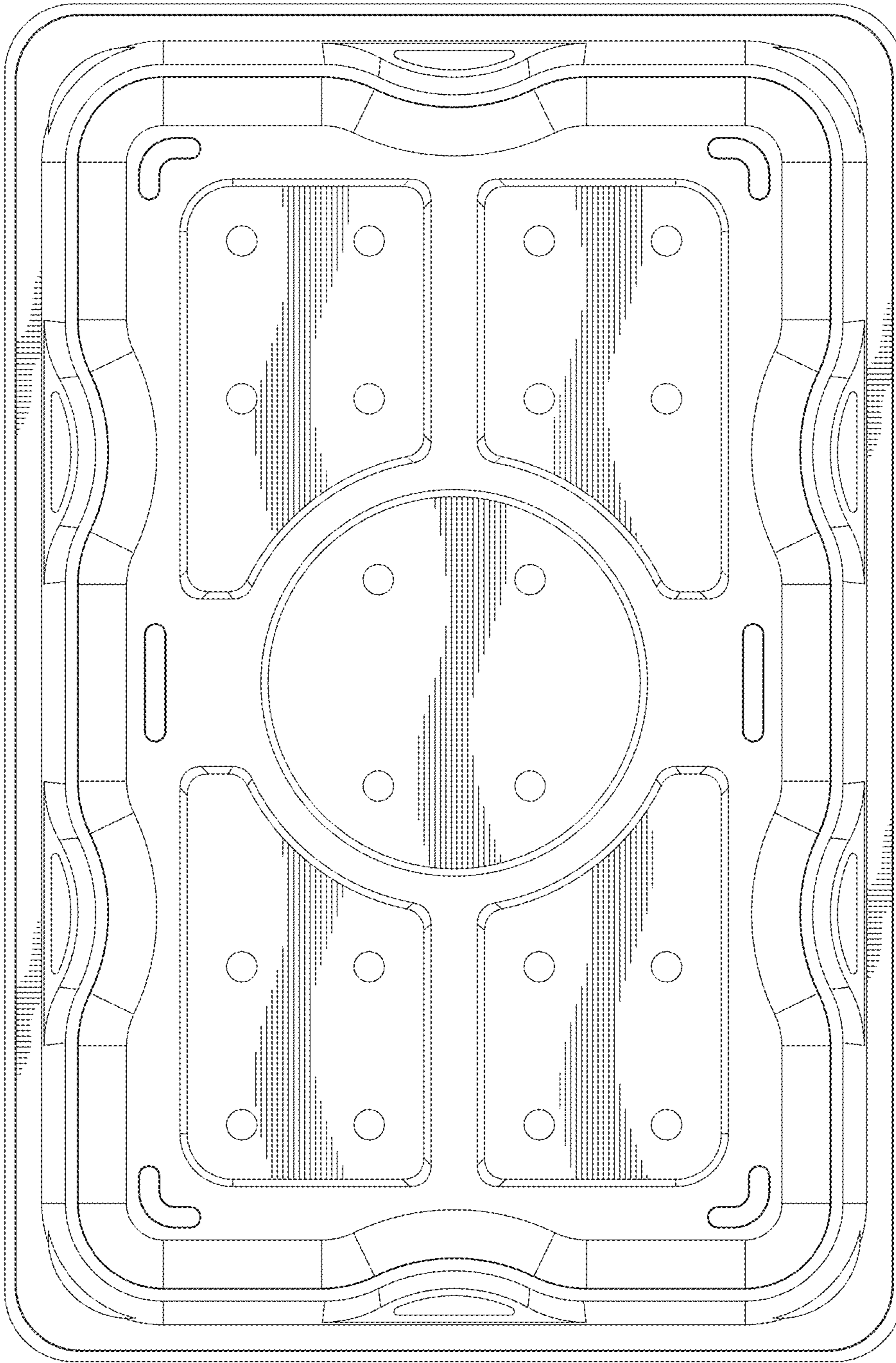


FIG. 8

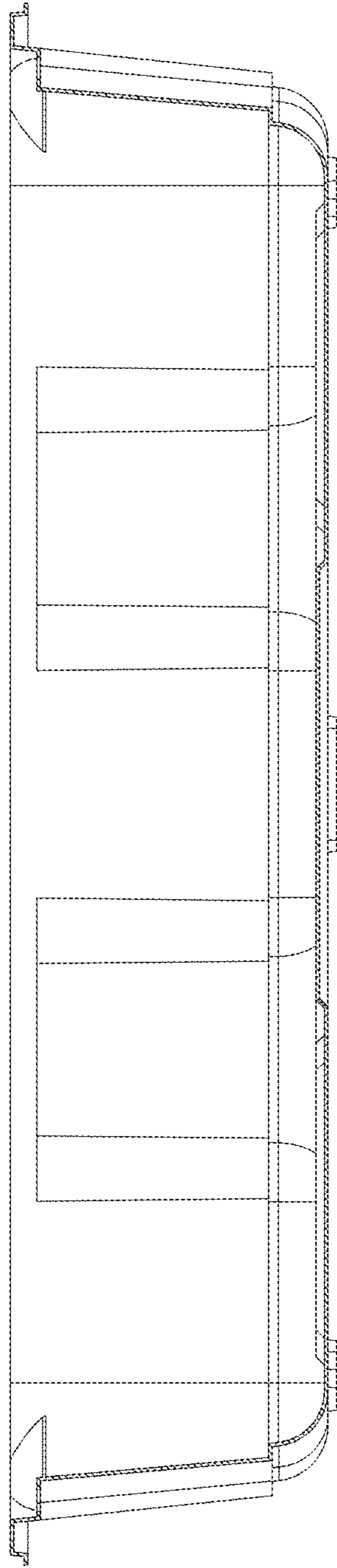
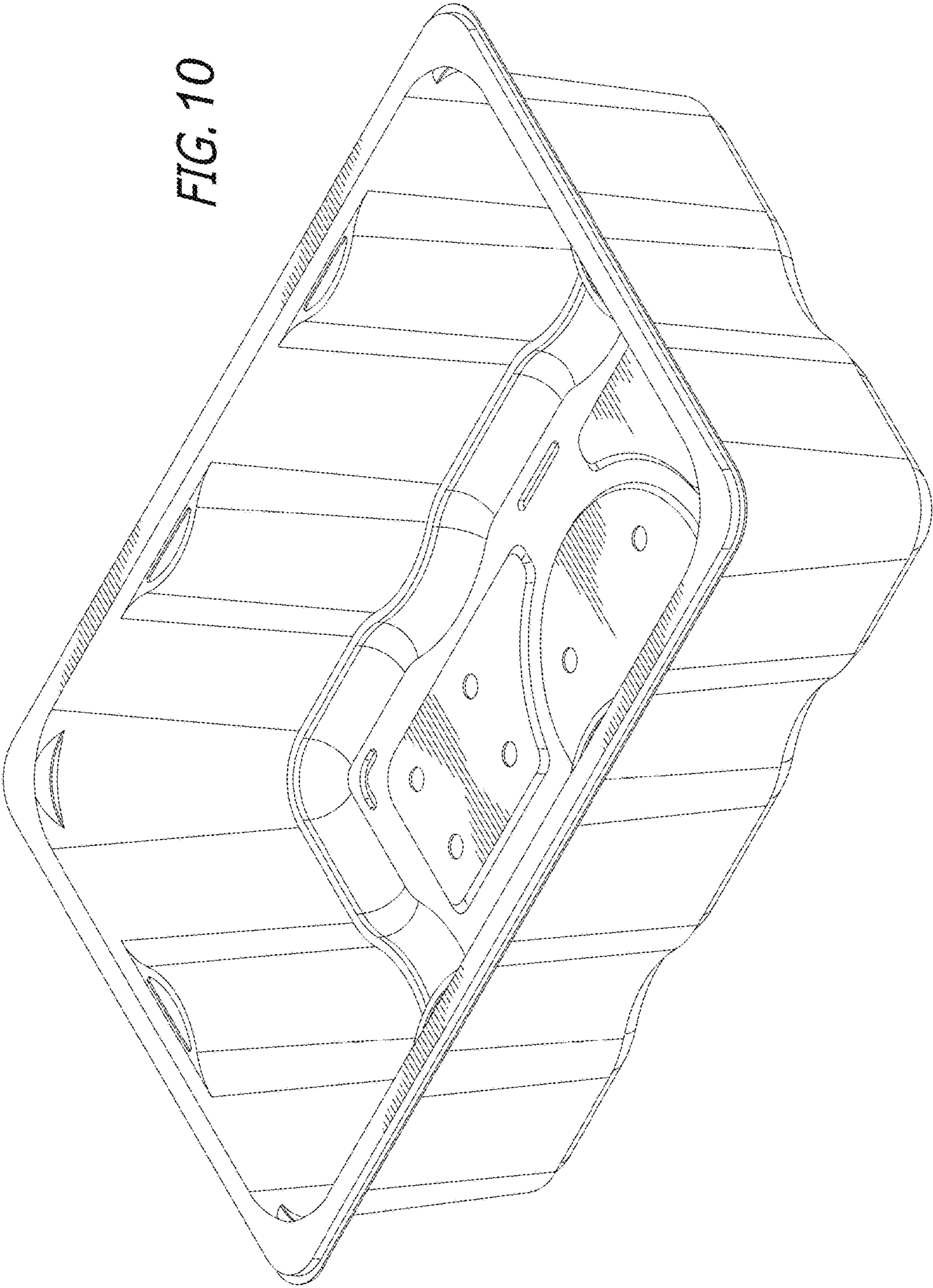


FIG. 9

FIG. 10



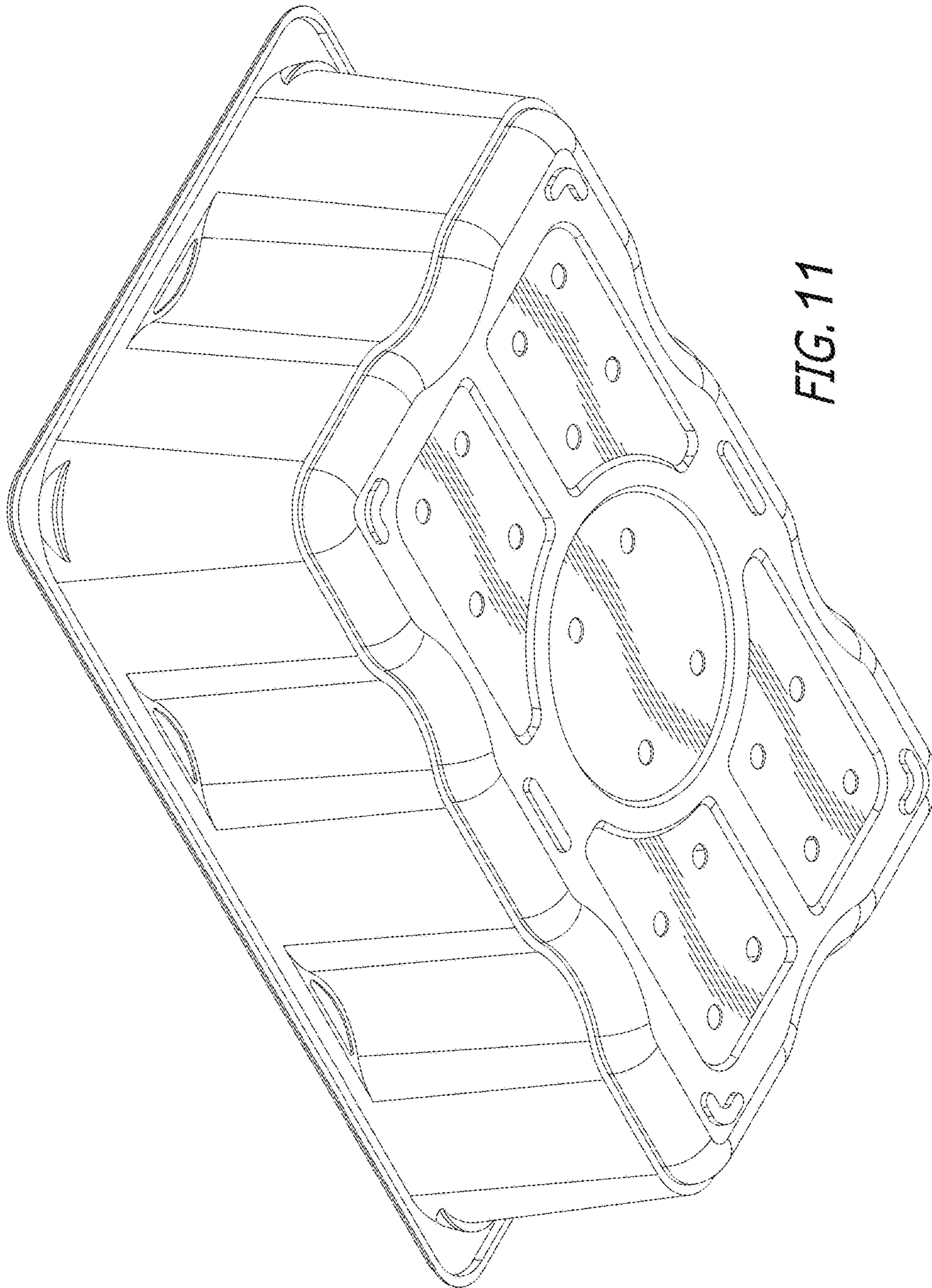


FIG. 11

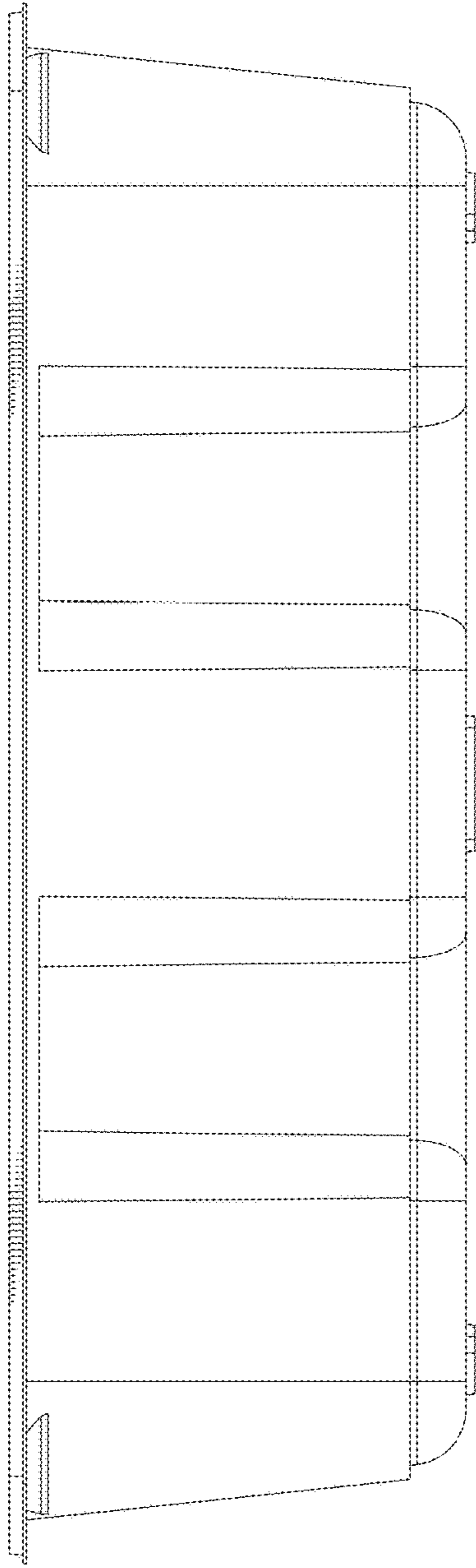


FIG. 12

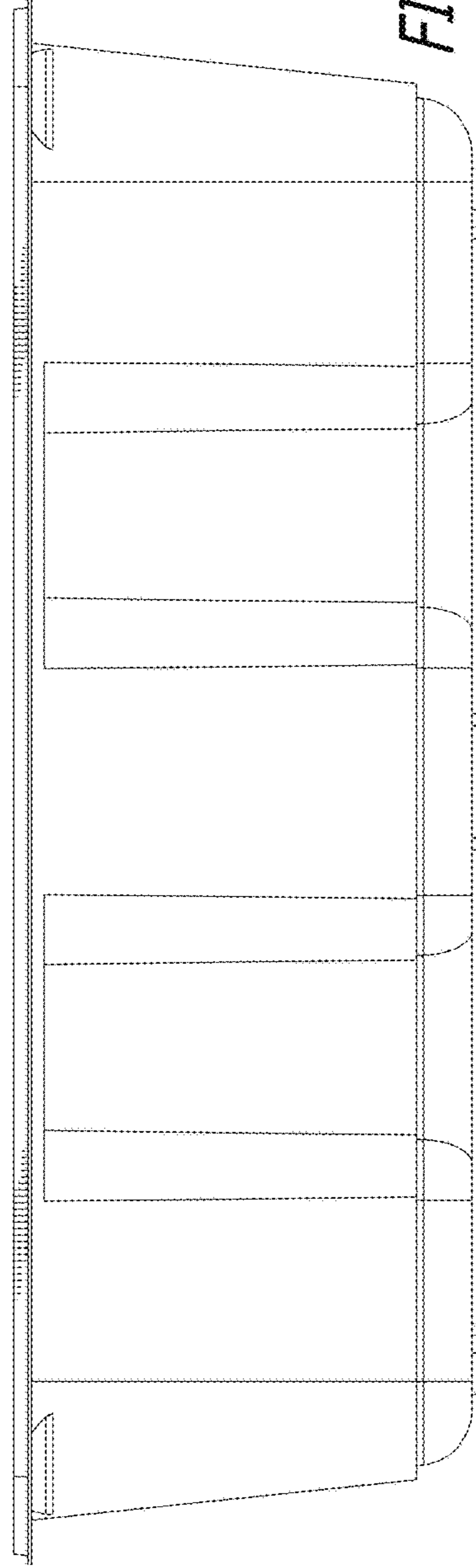


FIG. 13

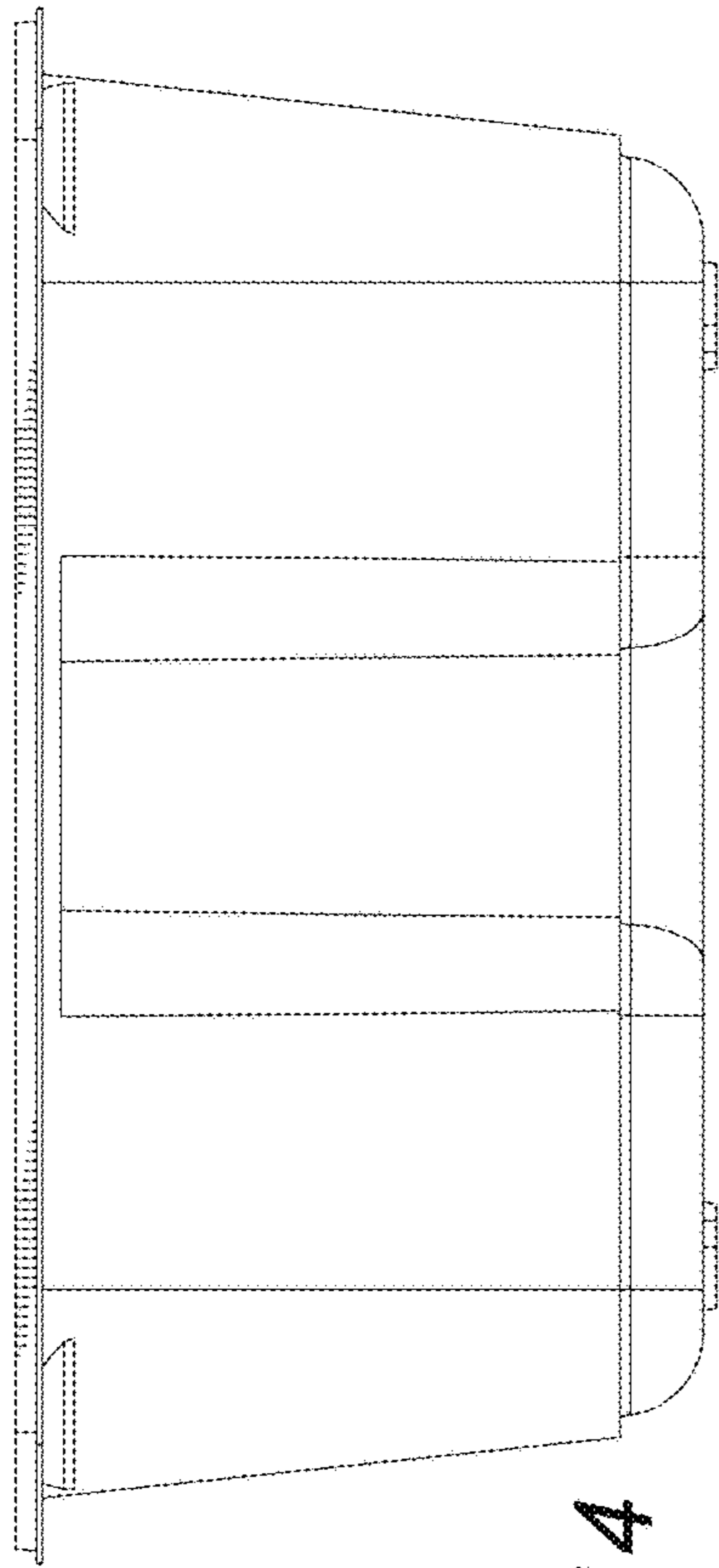


FIG. 14

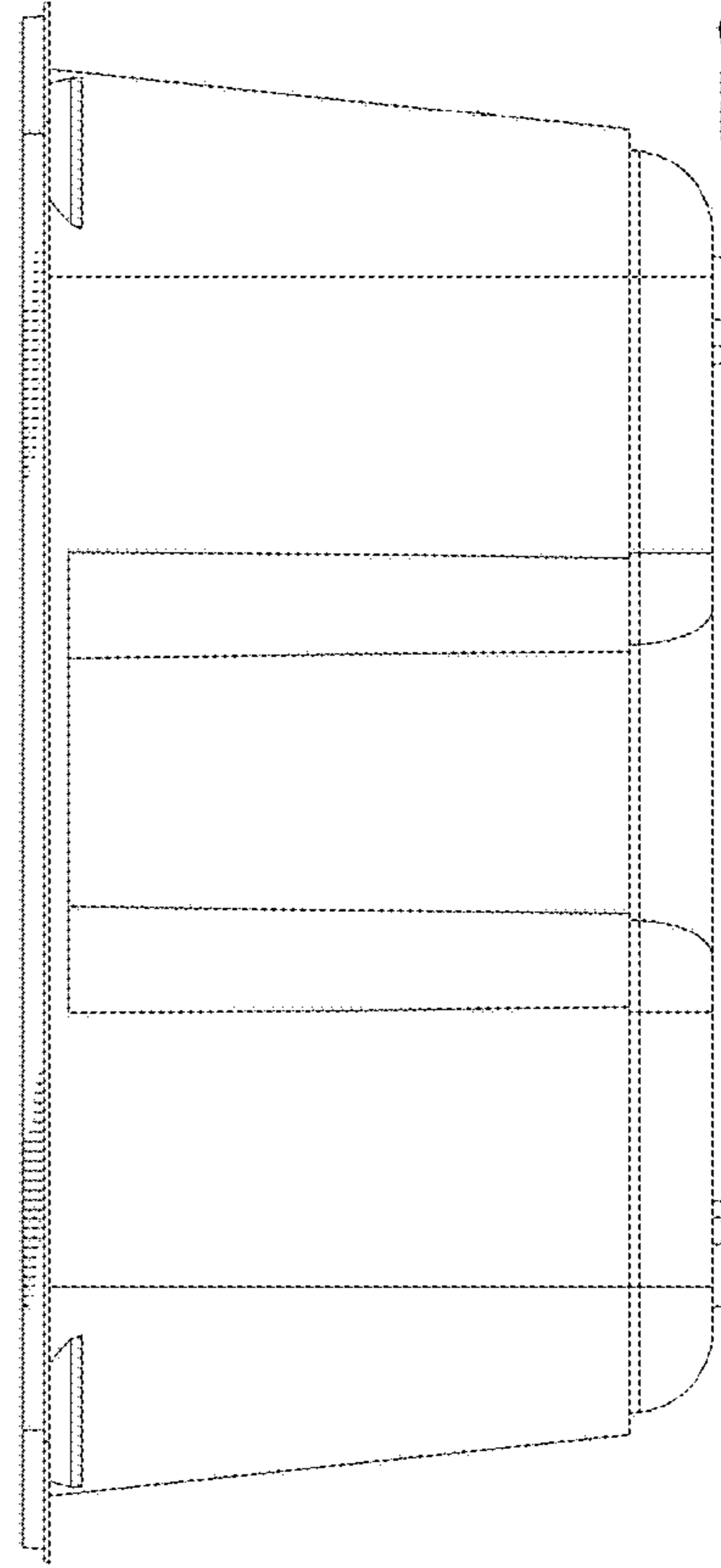


FIG. 15

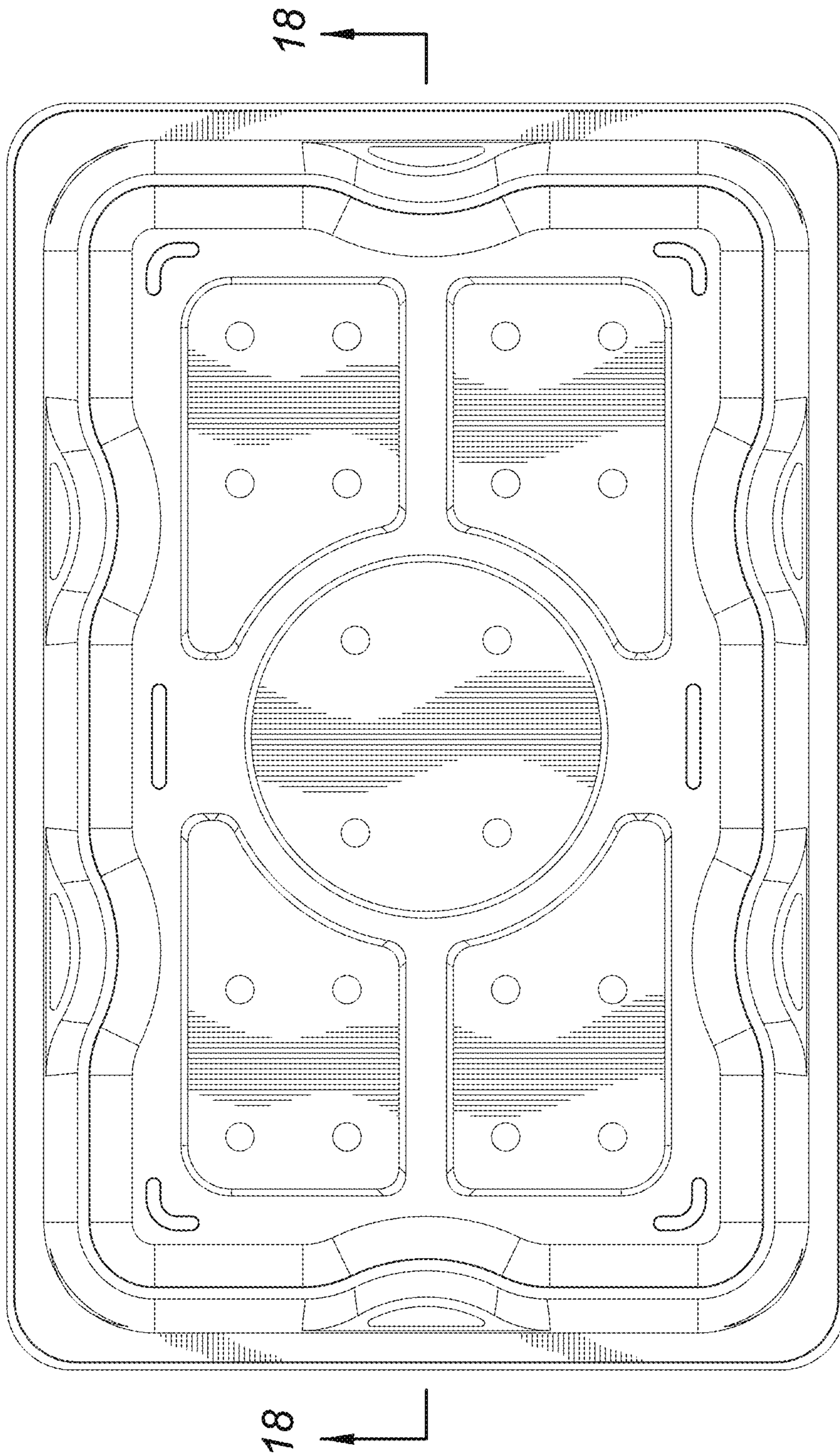


FIG. 16

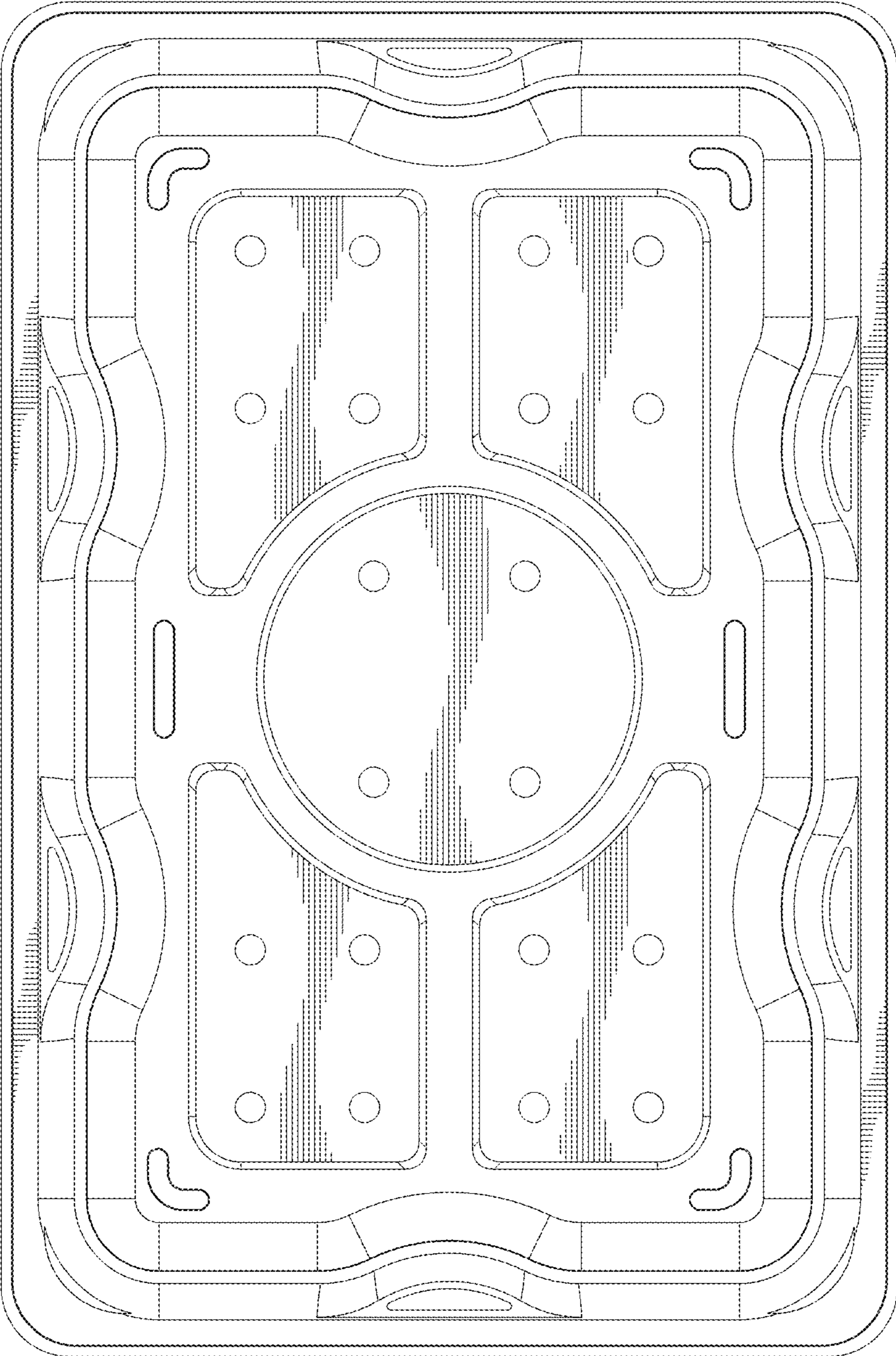


FIG. 17

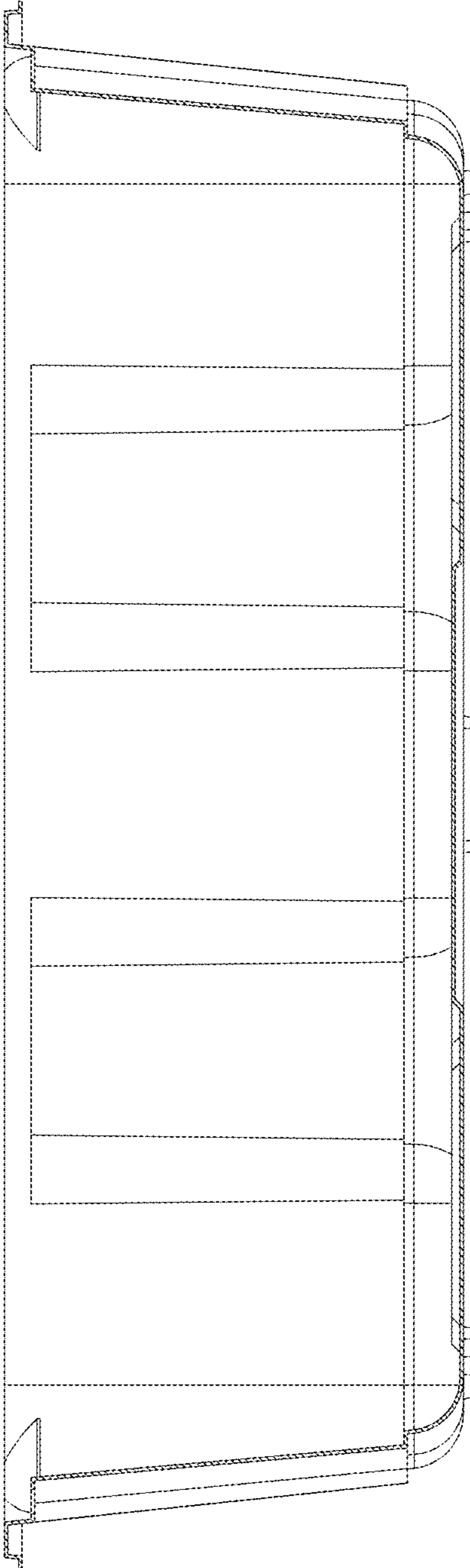


FIG. 18