



US00D807162S

(12) **United States Design Patent** (10) **Patent No.:** **US D807,162 S**  
**Wolfe, Jr. et al.** (45) **Date of Patent:** **\*\* Jan. 9, 2018**

(54) **LEASH CLAMP**  
(71) Applicant: **Starmark Pet Products, Inc.**, Hutto, TX (US)  
(72) Inventors: **Jerry J. Wolfe, Jr.**, Hutto, TX (US); **Harold Keith Benson**, Hutto, TX (US)  
(73) Assignee: **Triple Crown Dog Academy, Inc.**, Hutto, TX (US)

6,006,699 A 12/1999 Keever  
6,095,094 A 8/2000 Phillips  
6,371,056 B1 4/2002 Phillips  
6,467,436 B1 10/2002 Olausson  
D484,400 S \* 12/2003 Cohen ..... D8/356  
D512,906 S \* 12/2005 Wood ..... D8/395  
7,174,859 B2 2/2007 Lee  
D549,058 S \* 8/2007 Shibata ..... D8/14  
D552,461 S \* 10/2007 Oas ..... D6/326  
7,909,004 B2 3/2011 Thompson et al.  
8,230,822 B2 \* 7/2012 Smith ..... A01K 27/004  
119/794  
D664,838 S \* 8/2012 Parks ..... D8/395  
D699,100 S \* 2/2014 Moreau ..... D8/394

(\*\*) Term: **15 Years**

(21) Appl. No.: **29/546,194**  
(22) Filed: **Nov. 19, 2015**  
(51) **LOC (11) Cl.** ..... **08-08**  
(52) **U.S. Cl.**  
USPC ..... **D8/395**  
(58) **Field of Classification Search**  
USPC ..... D8/354, 356, 371, 394-396, 370;  
D11/200, 201, 202  
CPC ..... A01K 27/004; F16B 2/20; F16B 2/245  
See application file for complete search history.

*Primary Examiner* — Melanie H Tung  
*Assistant Examiner* — Bao-Yen Nguyen  
(74) *Attorney, Agent, or Firm* — Russell Ng PLLC; Brian F. Russell

(57) **CLAIM**

The ornamental design for an leash clamp, as shown and described.

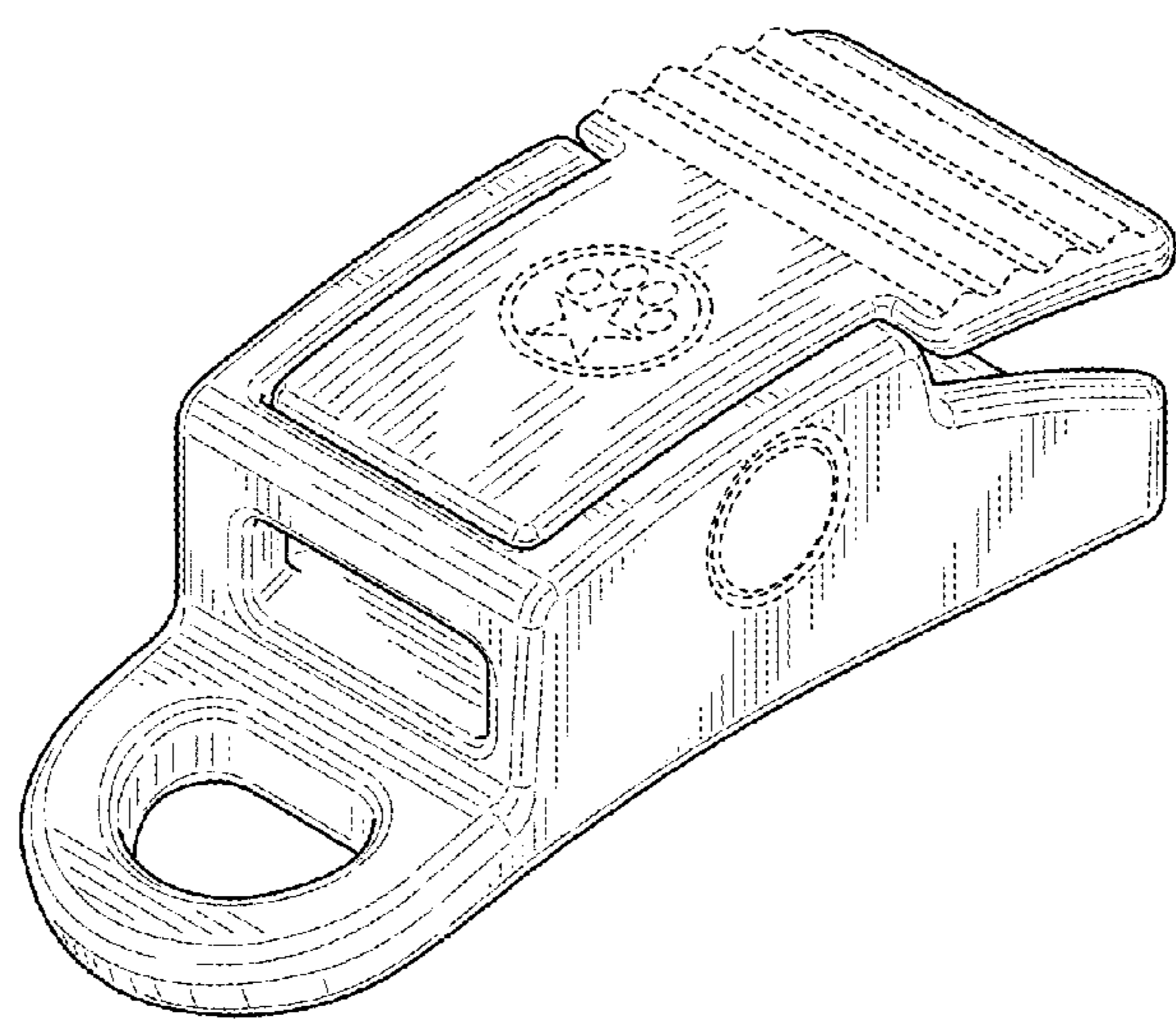
**DESCRIPTION**

FIG. 1 is a first perspective view of the leash clamp;  
FIG. 2 is a top plan view of the leash clamp;  
FIG. 3 is a bottom plan view of the leash clamp;  
FIG. 4 is a left side elevation view of the leash clamp;  
FIG. 5 is a right side elevation view of the leash clamp;  
FIG. 6 is a front elevation view of the leash clamp;  
FIG. 7 is a back elevation view of the leash clamp; and,  
FIG. 8 is a second perspective view of the leash clamp illustrating its use with a leash not forming part of the claimed design.

The broken lines represent portions of the article and form no part of the claimed design.  
The broken line illustration of the leash in FIG. 8 represents environment and forms no part of the claimed design.

**1 Claim, 4 Drawing Sheets**

(56) **References Cited**  
U.S. PATENT DOCUMENTS  
2,457,195 A 12/1948 Bagnall, Jr.  
3,867,905 A 2/1975 Vail, Jr.  
4,288,891 A 9/1981 Boden  
4,398,500 A 8/1983 Koronkiewicz  
4,528,727 A 7/1985 Adomeit  
4,562,792 A 1/1986 Pak et al.  
4,788,724 A \* 12/1988 Lazzeroni ..... H04R 1/08  
2/422  
4,912,817 A 4/1990 Sandreid  
5,462,019 A 10/1995 Hong-Rong et al.  
D365,017 S \* 12/1995 Rohrig ..... D8/394  
D386,215 S \* 11/1997 White ..... D20/43  
D413,602 S \* 9/1999 Chen ..... D14/227  
5,950,556 A 9/1999 Liebe



(56)

**References Cited**

U.S. PATENT DOCUMENTS

D715,631	S *	10/2014	Szymanski	.....	D8/395
D716,138	S *	10/2014	Szymanski	.....	D8/395
D720,816	S *	1/2015	Nelson	.....	D21/453
D724,937	S *	3/2015	Zilisch	.....	D8/395
D752,965	S *	4/2016	Blaney	.....	D8/394
D762,436	S *	8/2016	Gill	.....	D8/72
D781,694	S *	3/2017	Iwata	.....	D8/14
2007/0131176	A1	6/2007	Jensen et al.		
2009/0094798	A1	4/2009	Yao		
2012/0199232	A1*	8/2012	Mitchell	.....	F16L 55/1157 138/89
2013/0104346	A1	5/2013	Kawaguchi		
2013/0125833	A1	5/2013	McCoy		
2013/0174616	A1	7/2013	Allen, Jr.		
2014/0116354	A1	5/2014	Harris, II		
2014/0224190	A1	8/2014	Waters		

\* cited by examiner

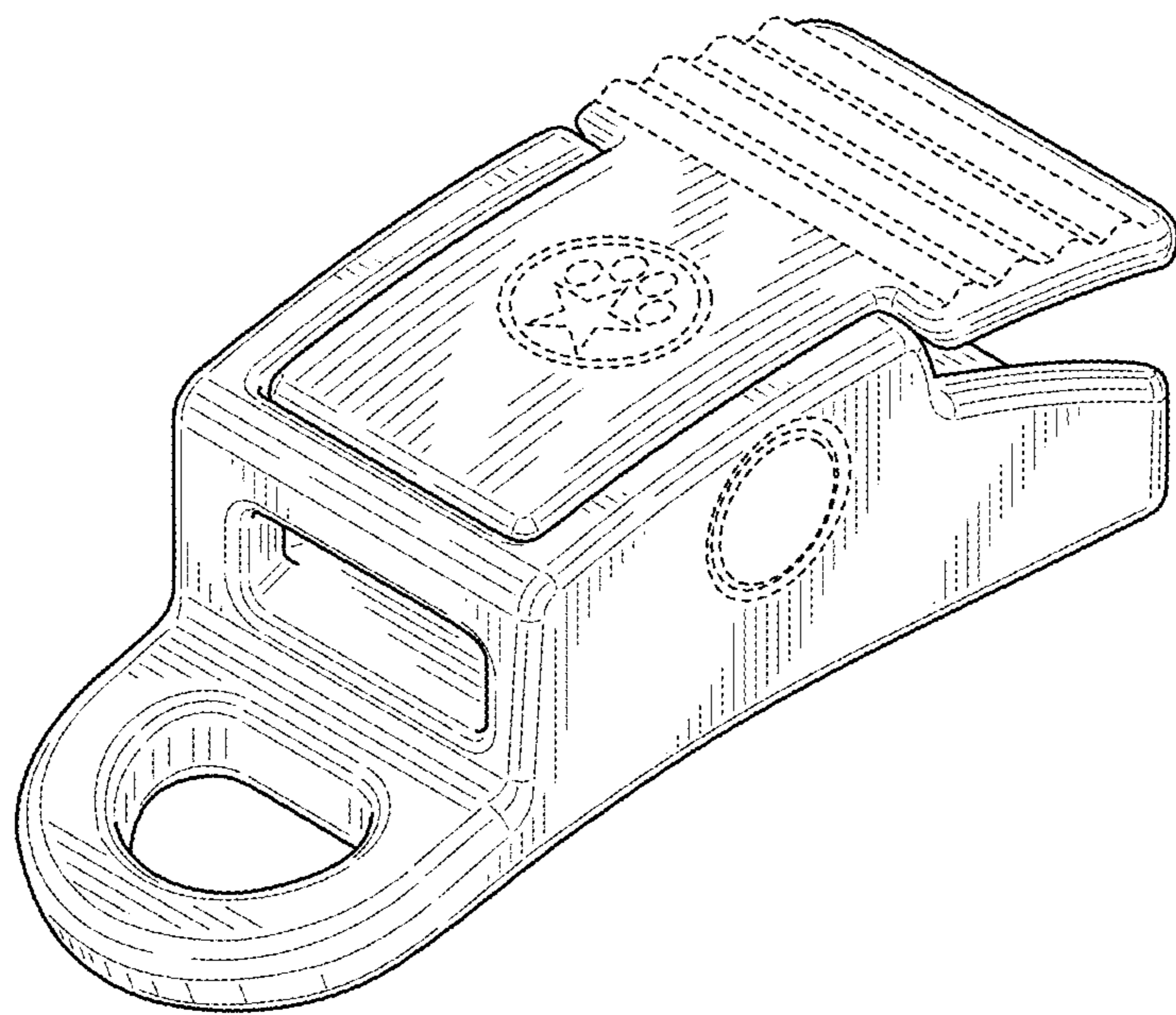


FIG. 1

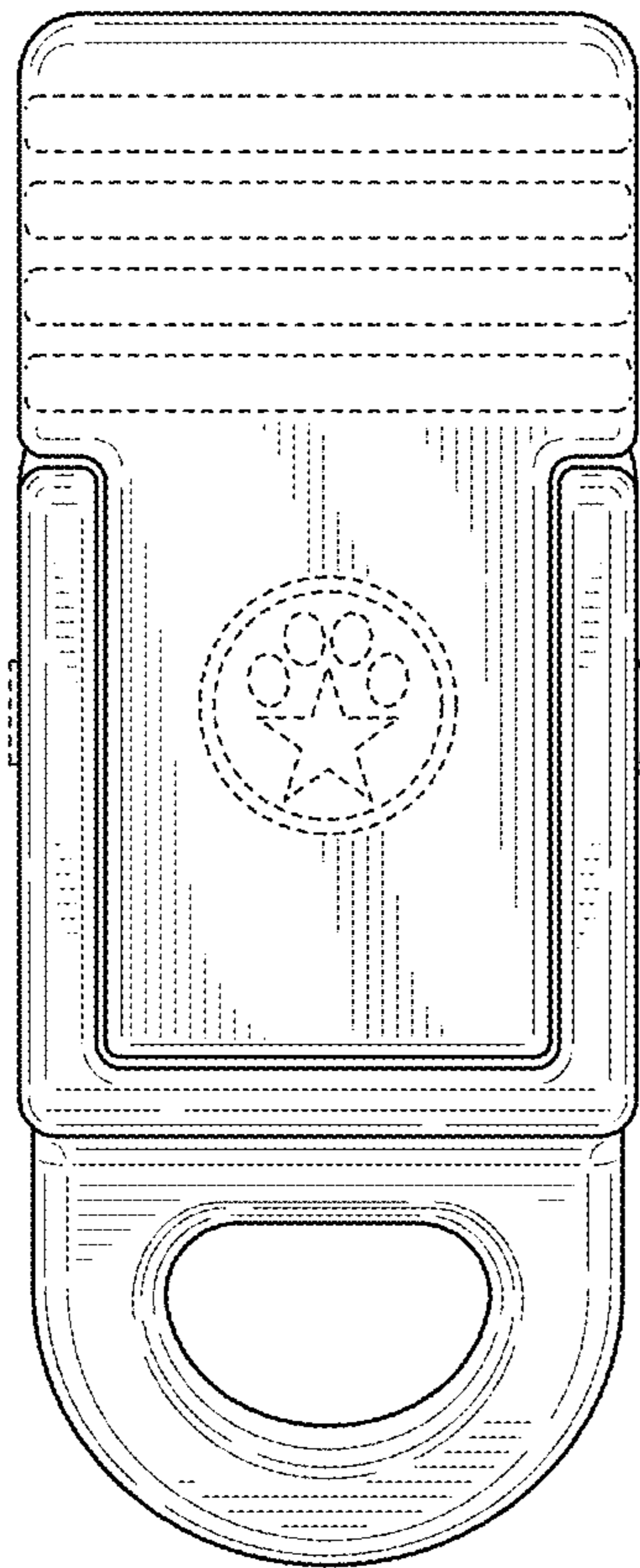


FIG. 2

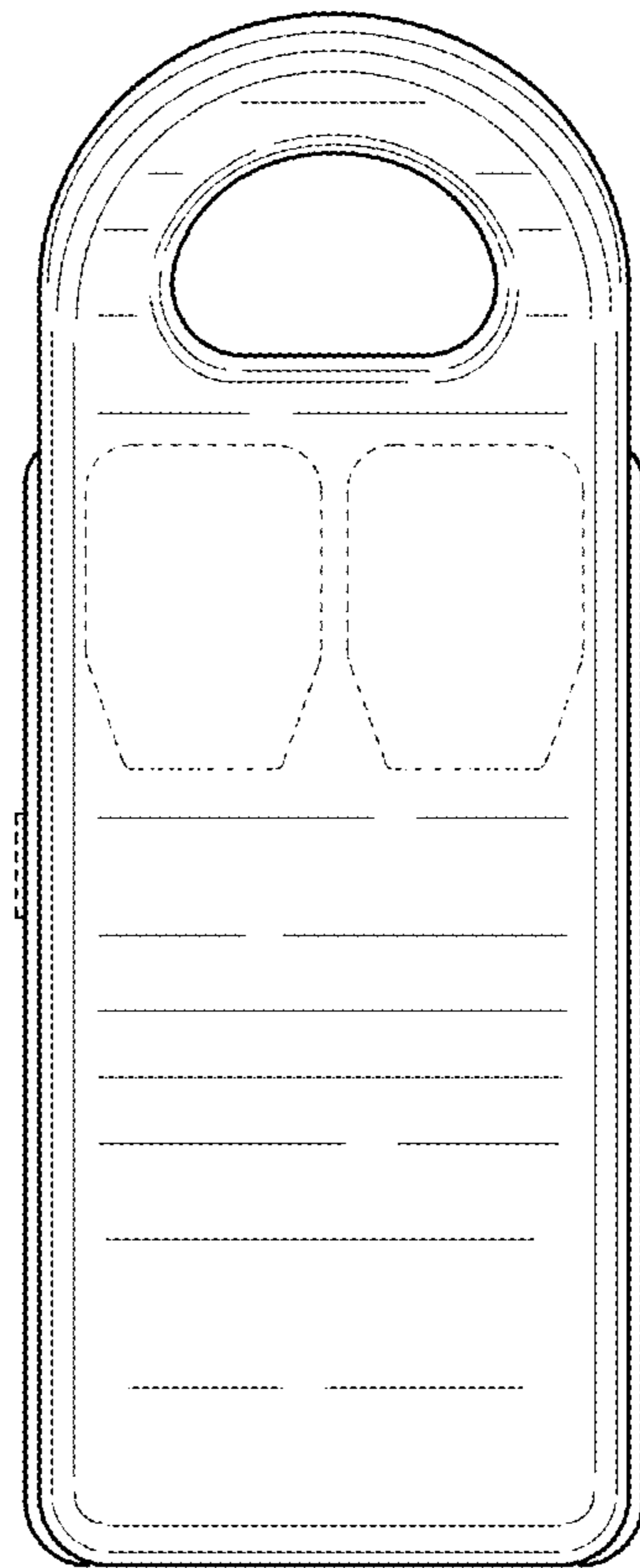


FIG. 3



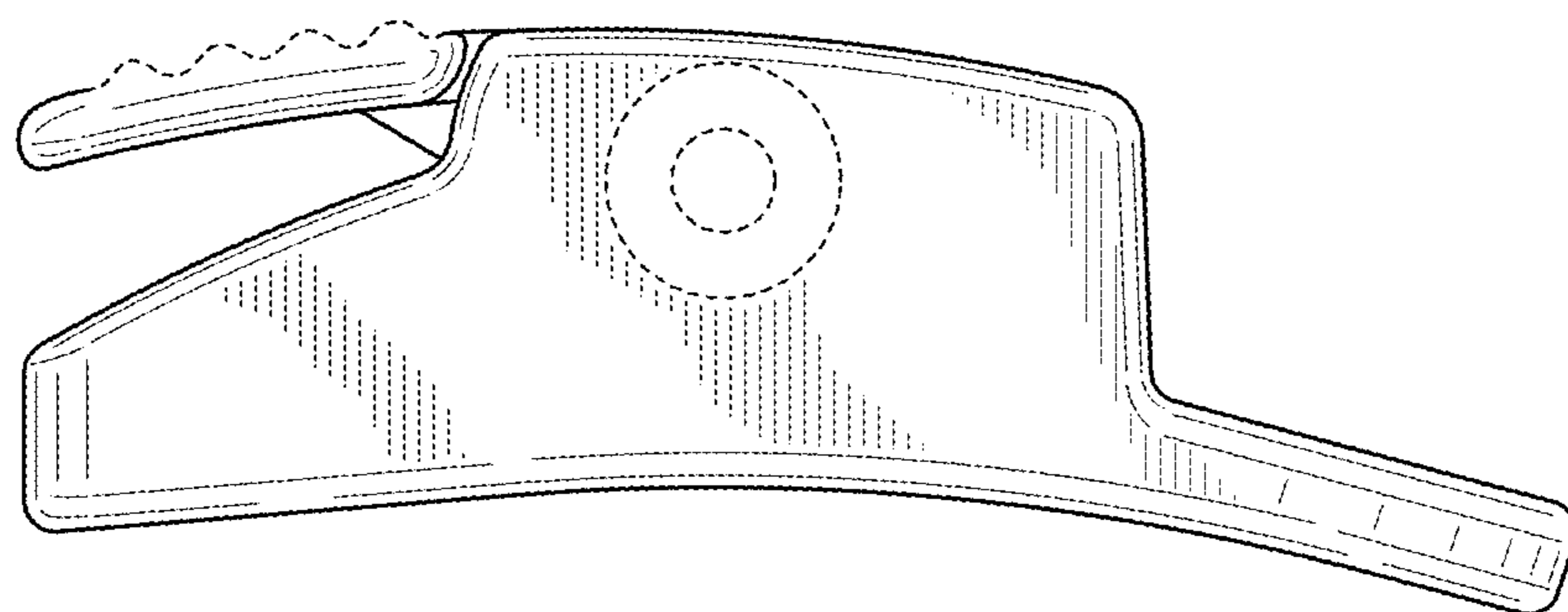


FIG. 4

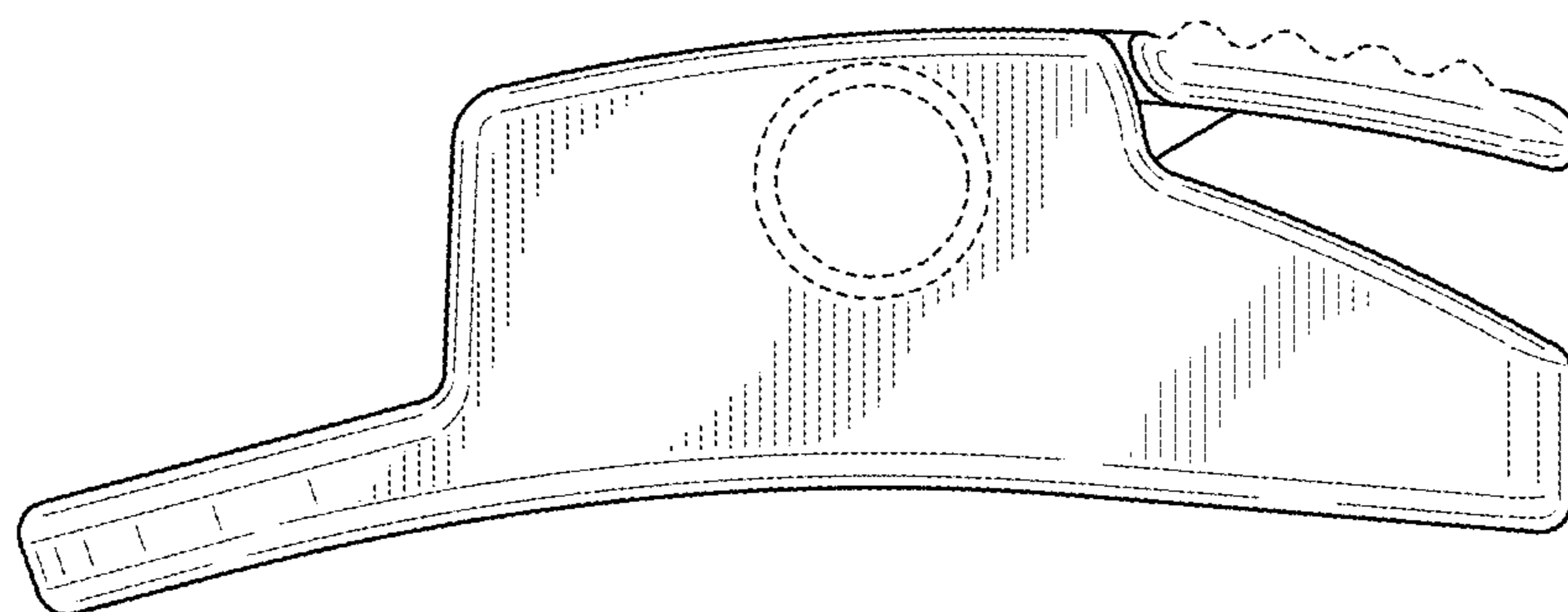


FIG. 5

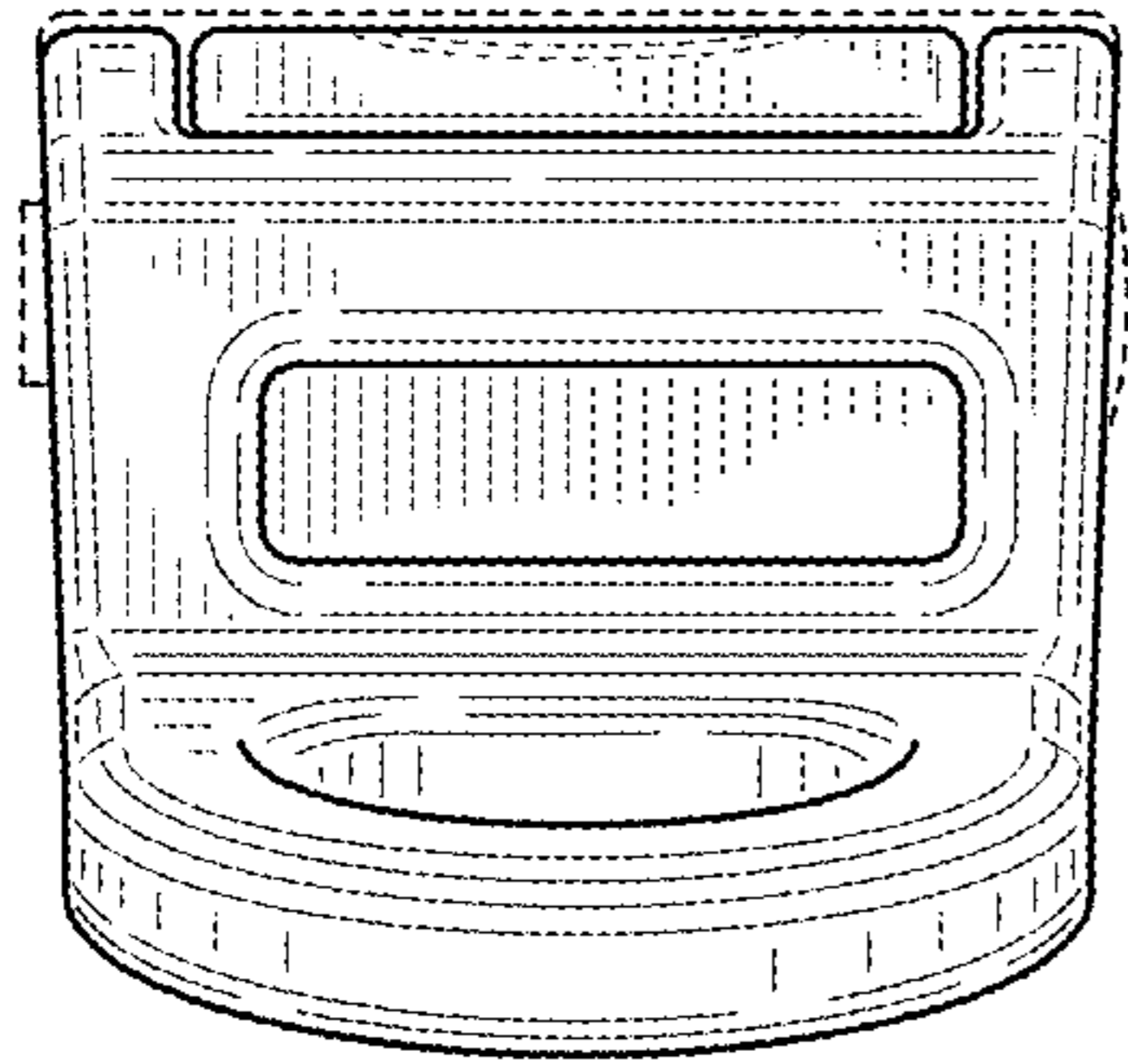


FIG. 6

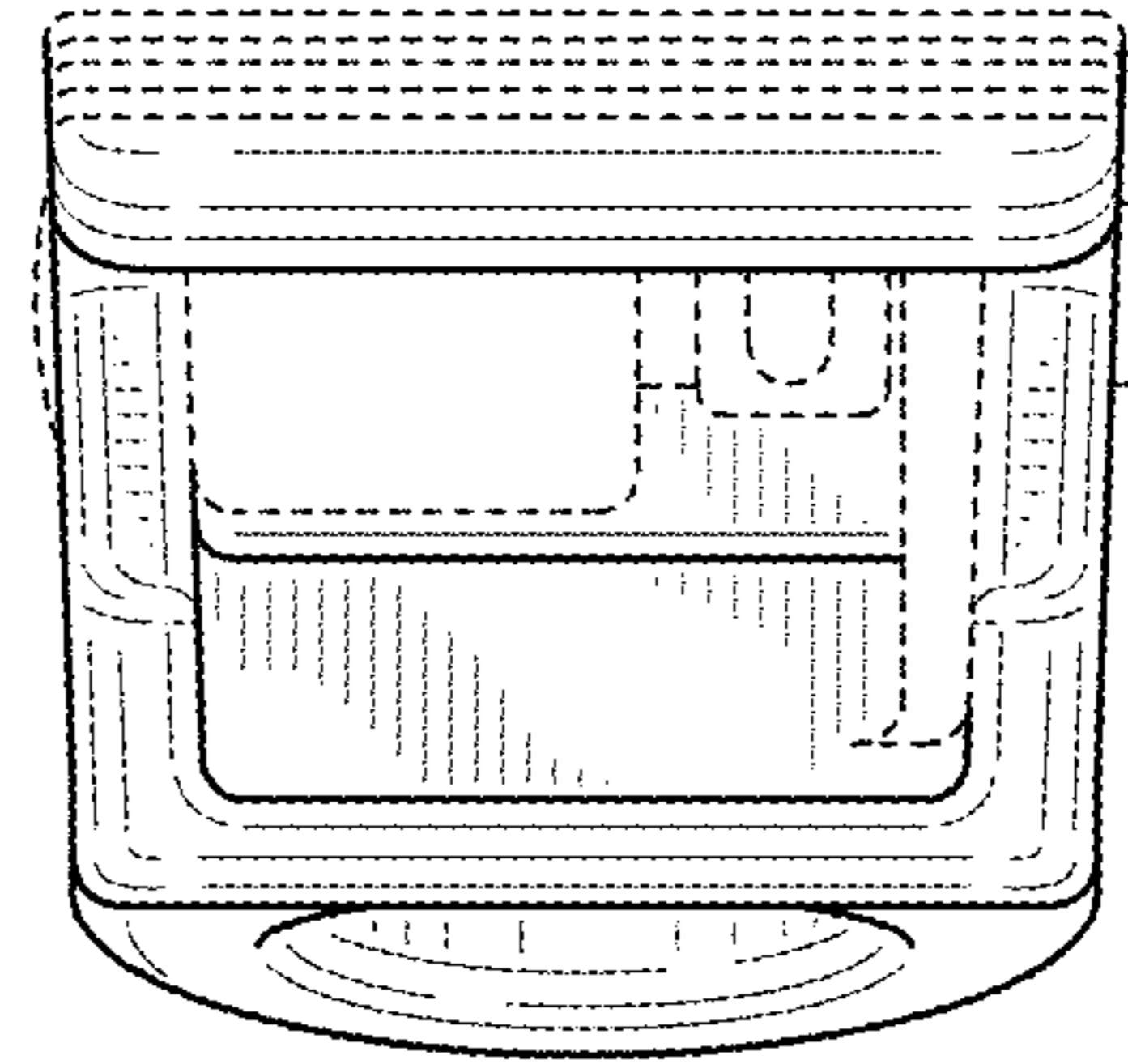


FIG. 7

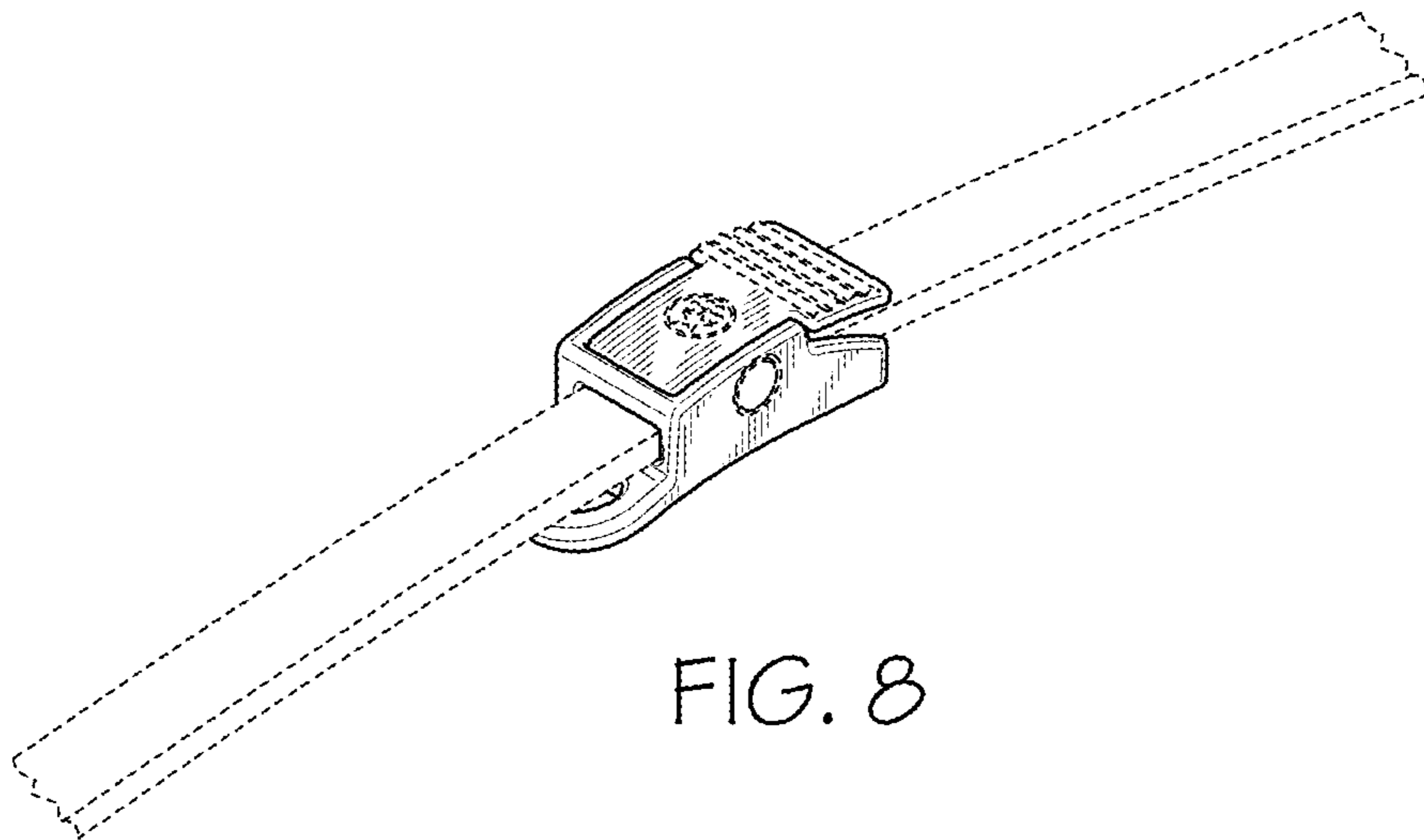


FIG. 8