



US00D807161S

(12) **United States Design Patent** (10) **Patent No.:** **US D807,161 S**
Whitaker (45) **Date of Patent:** **** Jan. 9, 2018**

- (54) **TUBING CLAMP**
- (71) Applicant: **NORDSON CORPORATION**,
Westlake, OH (US)
- (72) Inventor: **Carl T. Whitaker**, Berthoud, CO (US)
- (73) Assignee: **Nordson Corporation**, Westlake, OH
(US)
- (**) Term: **15 Years**
- (21) Appl. No.: **29/579,812**
- (22) Filed: **Oct. 4, 2016**

D710,190 S *	8/2014	Weger	D8/396
D741,701 S	10/2015	McNeil et al.	
D749,835 S	2/2016	Whitaker	
D761,100 S	7/2016	Divers et al.	
D763,673 S *	8/2016	Moreau	D8/395
D790,308 S *	6/2017	Larard	D8/72
2008/0179469 A1	7/2008	Leone et al.	
2010/0327576 A1 *	12/2010	Linhorst	F16L 23/06 285/38
2012/0227221 A1	9/2012	Whitaker et al.	
2015/0164206 A1	6/2015	Reed	

FOREIGN PATENT DOCUMENTS

JP 1532292 S 8/2015

OTHER PUBLICATIONS

Japanese Application No. 2015-027941: Office Action dated Mar. 18, 2016 (1 page).

* cited by examiner

Primary Examiner — Cynthia Underwood
(74) *Attorney, Agent, or Firm* — Baker & Hostetler LLP

(57) **CLAIM**

The ornamental design for a tubing clamp, as shown and described.

Related U.S. Application Data

- (62) Division of application No. 29/530,220, filed on Jun. 15, 2015, now Pat. No. Des. 770,886.
- (51) **LOC (11) Cl.** **08-08**
- (52) **U.S. Cl.**
USPC **D8/394**
- (58) **Field of Classification Search**
USPC D8/396, 394, 382, 349, 356, 354
CPC H01R 11/11; F16L 23/036; F16L 3/13
See application file for complete search history.

(56) **References Cited**

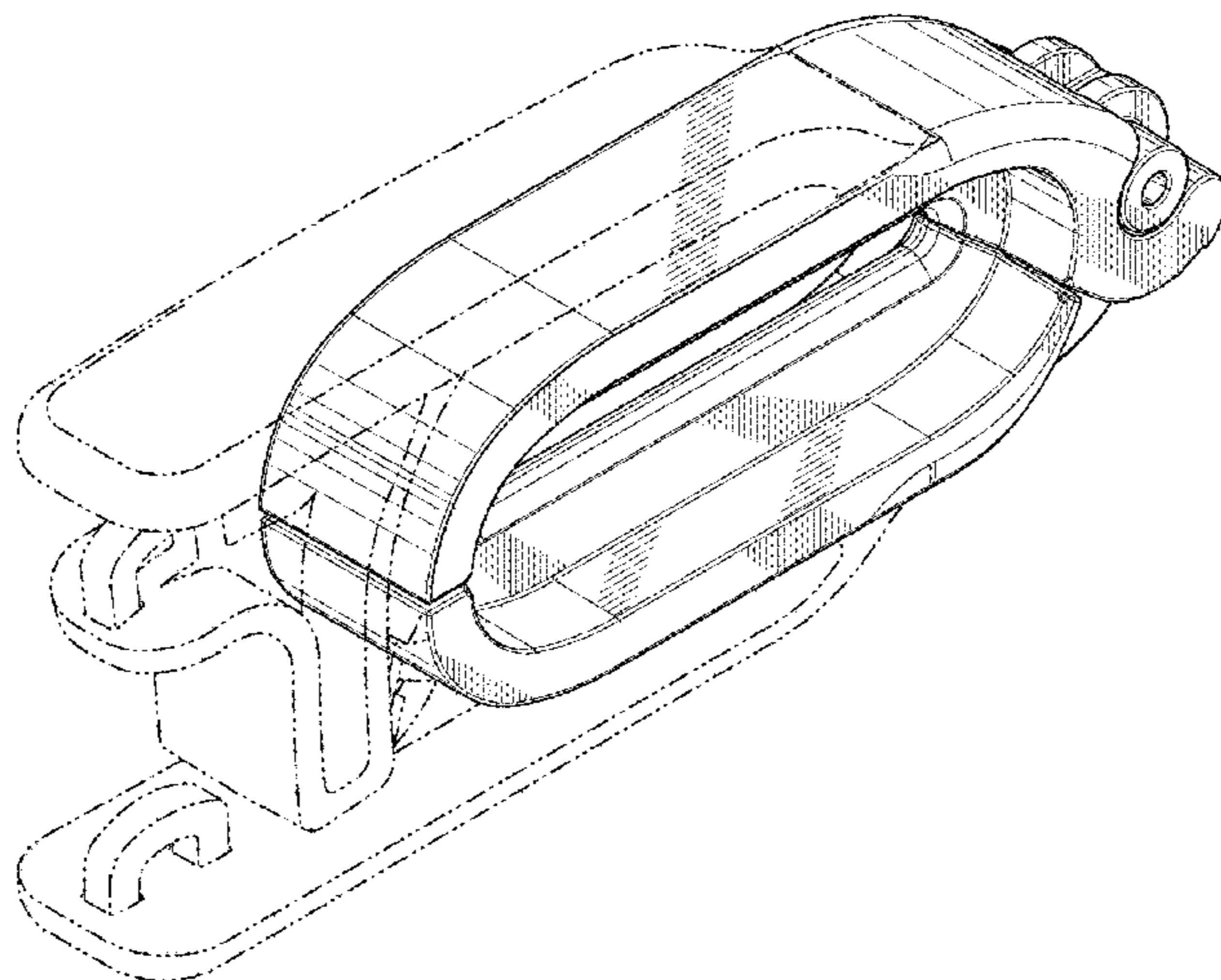
U.S. PATENT DOCUMENTS

3,147,508 A	9/1964	Glynn	
3,896,527 A	7/1975	Miller et al.	
D299,168 S *	12/1988	Bergstrom	D24/143
D376,974 S *	12/1996	Chen	24/274 WB
D414,405 S *	9/1999	Tompkins	D8/396
D431,650 S	10/2000	Guala et al.	
D569,718 S	5/2008	Nakamura et al.	
D604,143 S	11/2009	Shnayder	
D610,684 S *	2/2010	Gaydos	D24/143
D619,711 S	7/2010	Lombardo et al.	
D649,641 S	11/2011	Guttulrud	
D695,100 S	12/2013	Whitaker et al.	
D700,835 S	3/2014	Langlois et al.	

DESCRIPTION

FIG. 1 is a front isometric view of the tubing clamp.
FIG. 2 is a rear isometric view of the tubing clamp.
FIG. 3 is a front view of the tubing clamp.
FIG. 4 is a rear view of the tubing clamp.
FIG. 5 is a right side view of the tubing clamp, the left side view being a mirror image thereof.
FIG. 6 is a top view of the tubing clamp; and,
FIG. 7 is a bottom view of the tubing clamp.
The dashed lines are for environmental purposes and form no part of the claimed design.

1 Claim, 5 Drawing Sheets



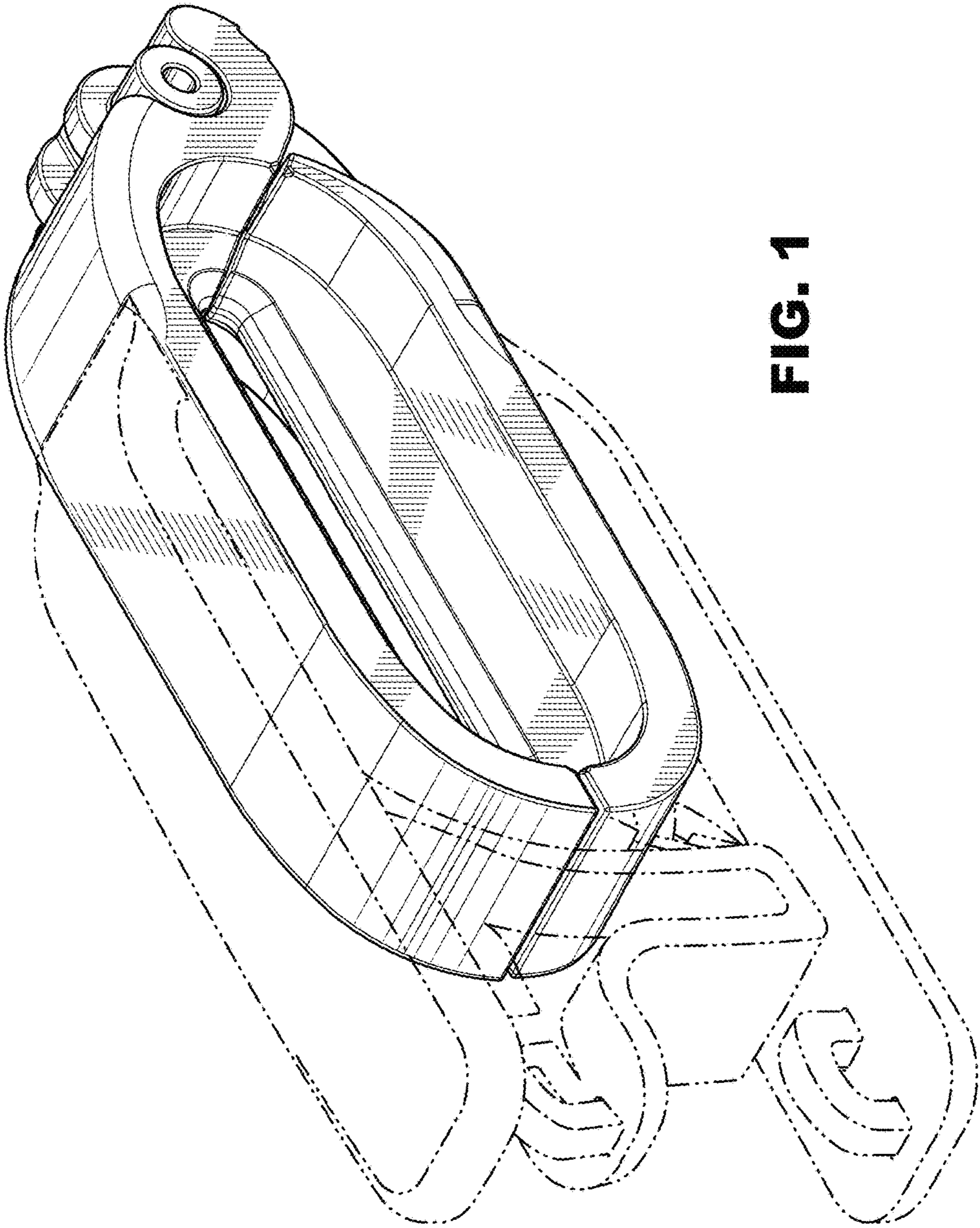


FIG. 1

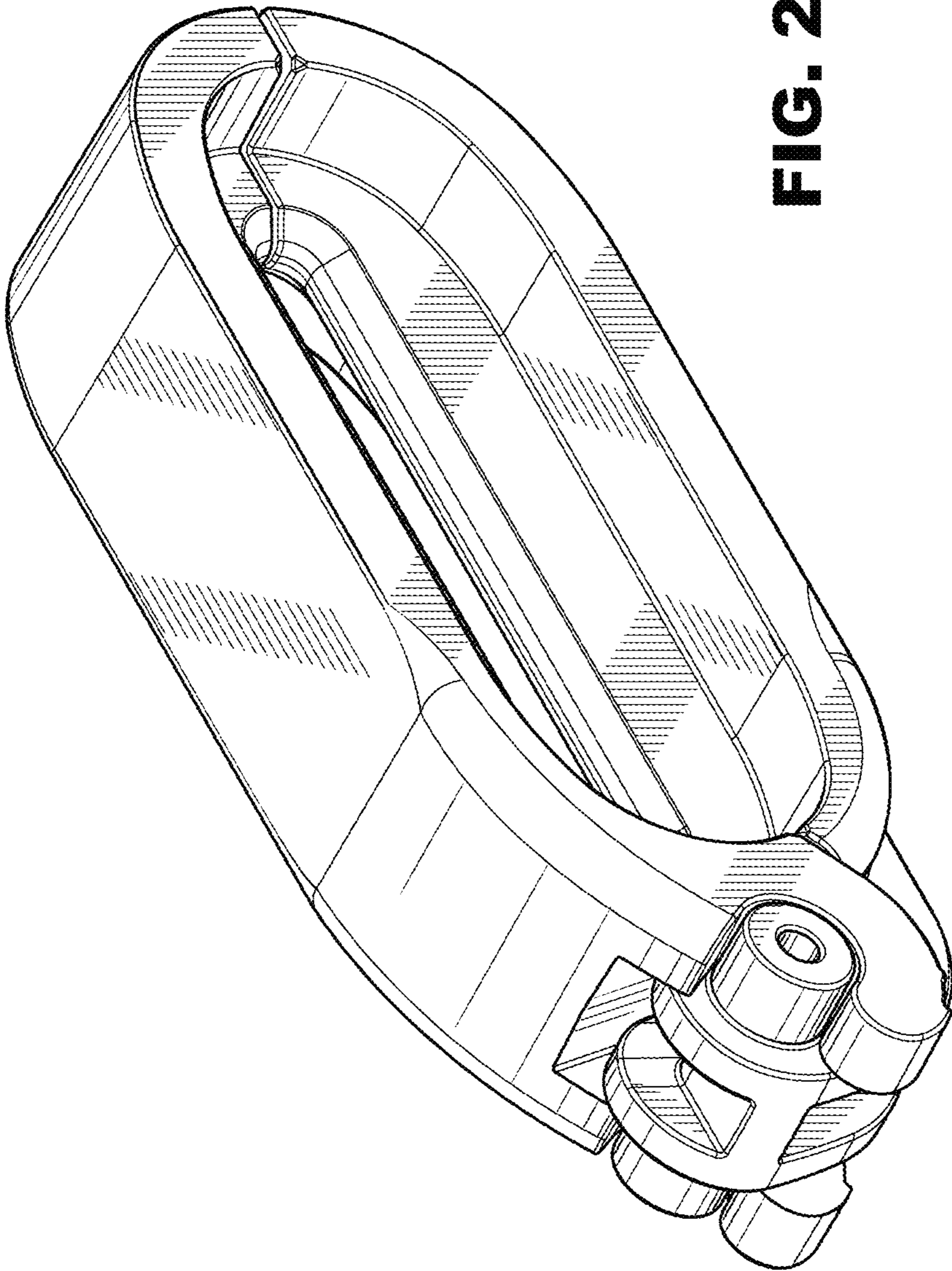


FIG. 2

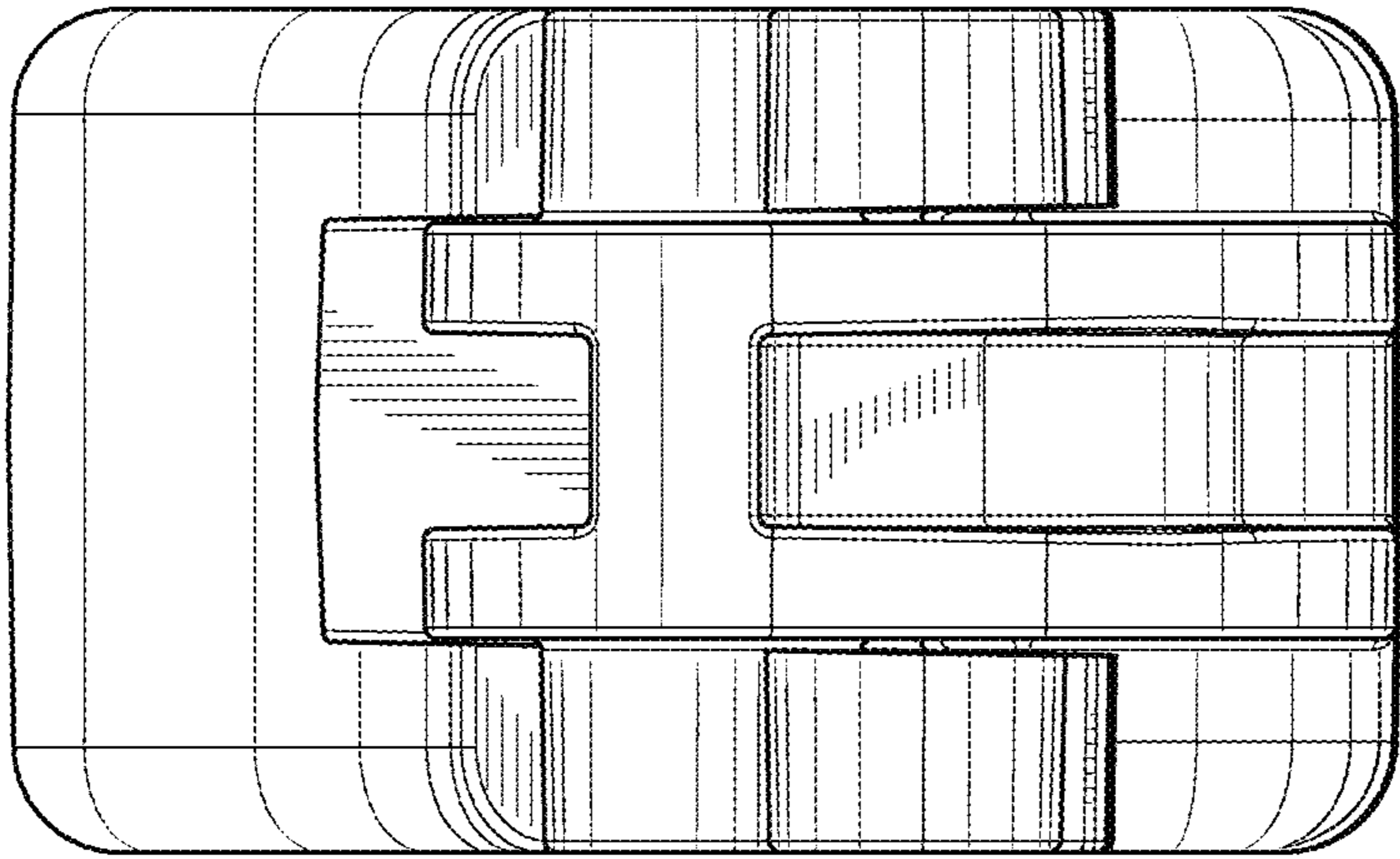


FIG. 4

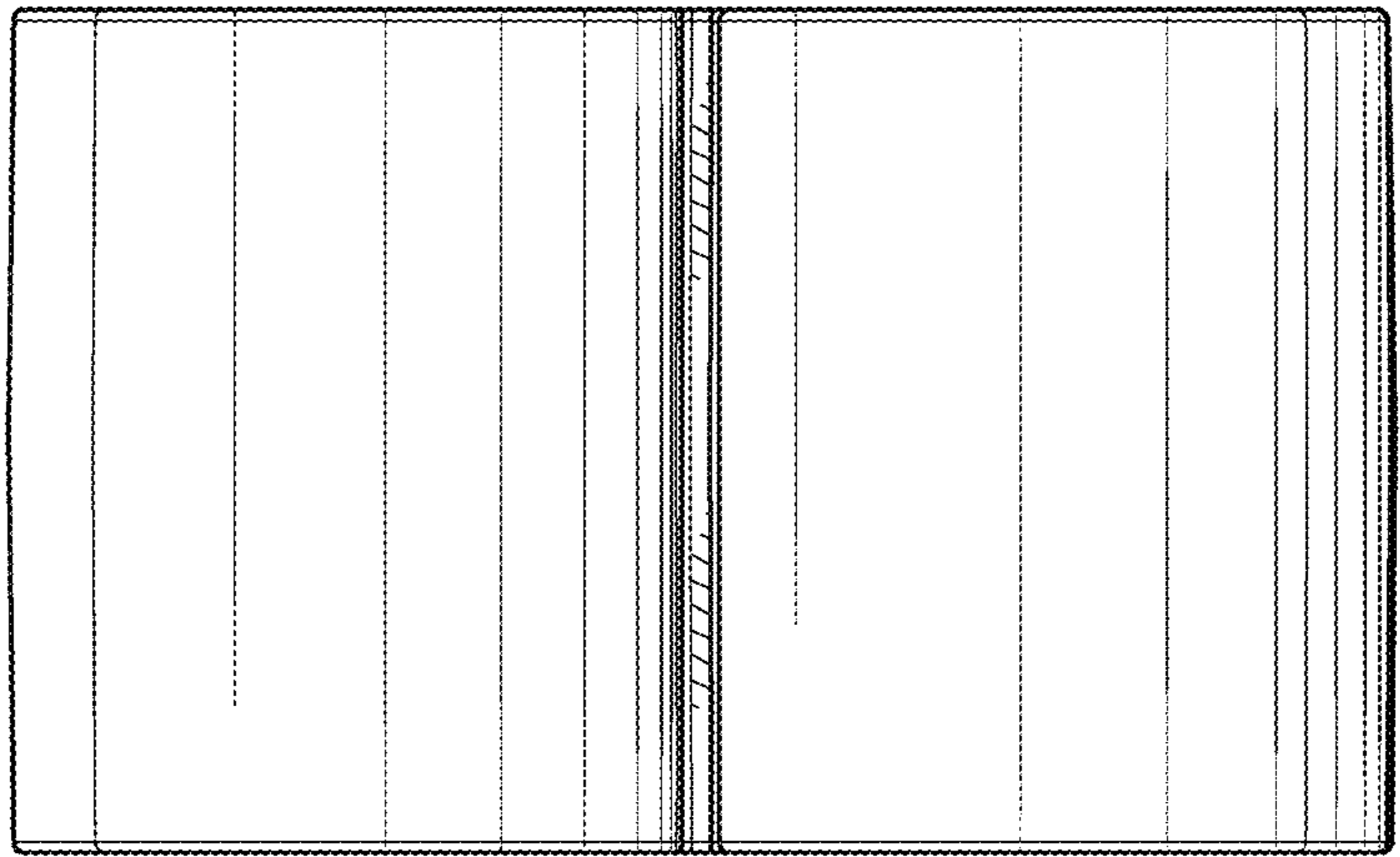


FIG. 3

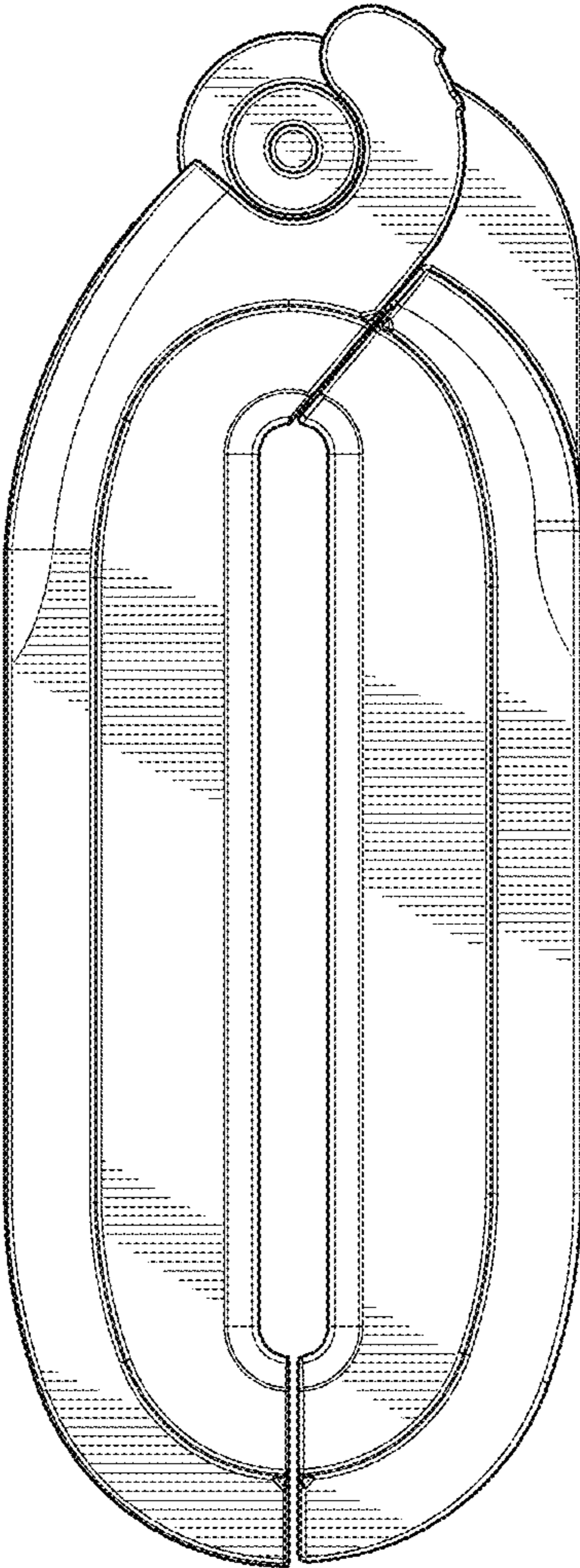


FIG. 5

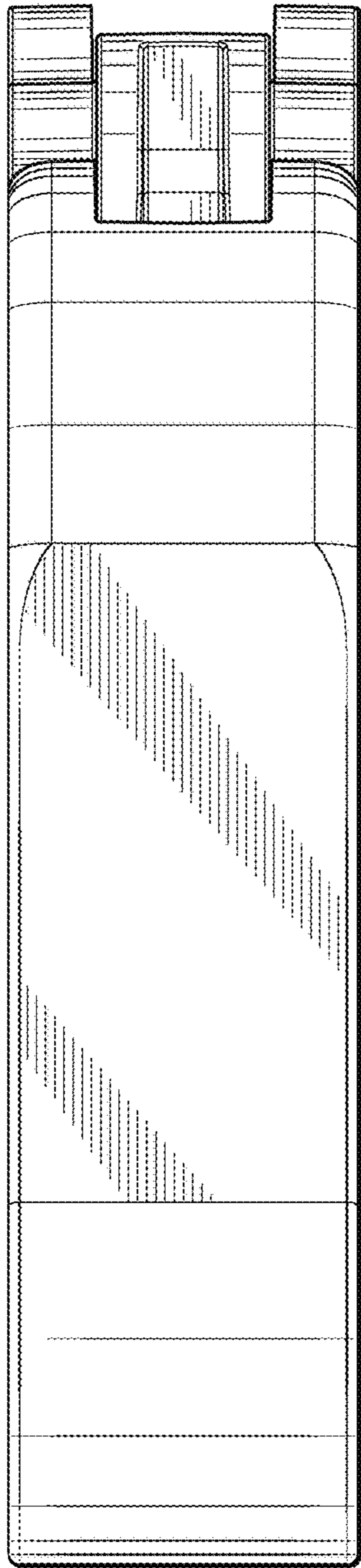


FIG. 6

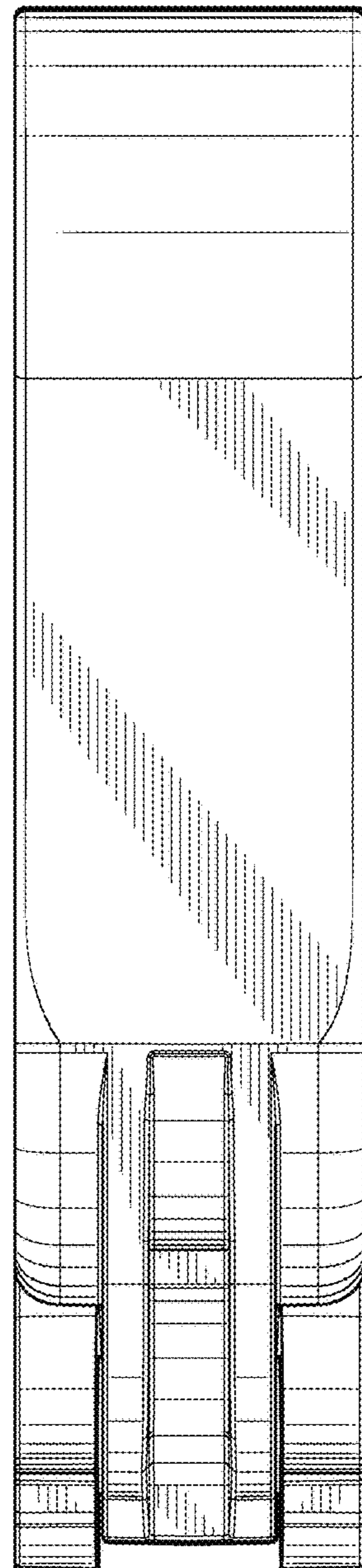


FIG. 7