



US00D807160S

(12) **United States Design Patent** (10) **Patent No.:** **US D807,160 S**
Locatell (45) **Date of Patent:** **** Jan. 9, 2018**

(54) **REMOVABLE FORM TIE** 7,429,023 B2 * 9/2008 Morrow E04B 1/003
248/200
(71) Applicant: **Frank Locatell**, Arcadia, CA (US) D667,288 S * 9/2012 Preda D8/354
D667,289 S * 9/2012 Preda D8/354
(72) Inventor: **Frank Locatell**, Arcadia, CA (US) 8,763,982 B1 7/2014 Murrell
D729,611 S * 5/2015 Schmidt D8/349
(**) Term: **15 Years** 9,038,338 B2 * 5/2015 Rice E04B 2/8647
52/236.6
(21) Appl. No.: **29/611,677** D732,708 S * 6/2015 Stauffer D25/133
2006/0032180 A1 * 2/2006 Peterson E04B 2/96
52/712
(22) Filed: **Jul. 24, 2017**

OTHER PUBLICATIONS

Concrete Tie, Product Manual dated 1998, Introduction to Chapter 2 (65 total pages).

* cited by examiner

Primary Examiner — Sandra Snapp

Assistant Examiner — Ieisha Price

(74) *Attorney, Agent, or Firm* — Todd R. Miller

Related U.S. Application Data

(62) Division of application No. 29/596,599, filed on Mar. 9, 2017, now Pat. No. Des. 798,137.

(51) **LOC (11) Cl.** **08-08**

(52) **U.S. Cl.**
USPC **D8/384**

(58) **Field of Classification Search**
USPC D8/16, 19, 71, 349, 354, 382, 384, 385,
D8/499, 364, 366, 381, 373, 380;
D25/68, 133, 199
CPC . E04G 17/14; E04G 17/0752; E04G 17/0751;
E04G 2017/0627; E04G 17/06; E04B
2/8652; E04B 2002/8688
See application file for complete search history.

(57) **CLAIM**

The ornamental design for a removable form tie, as shown and described.

DESCRIPTION

FIG. 1 is a perspective view embodying the inventive design;

FIG. 2 is a front view thereof;

FIG. 3 is a left view thereof;

FIG. 4 is a rear view thereof;

FIG. 5 is a right view thereof;

FIG. 6 is a top view thereof;

FIG. 7 is a bottom view thereof; and,

FIG. 8 is a perspective view thereof showing the inventive design in use.

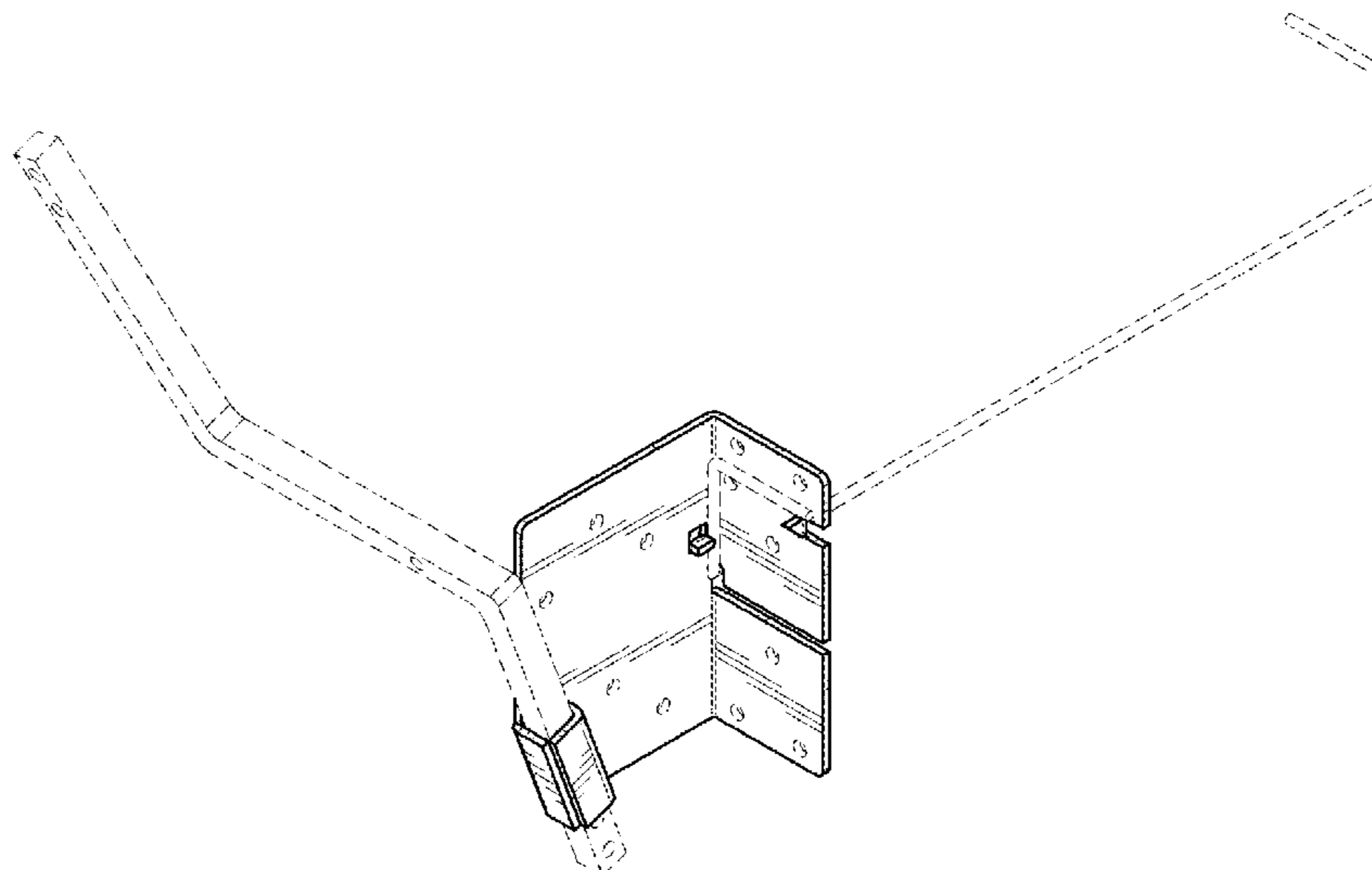
The broken lines in the figures are shown for illustrative purposes only and form no part of the claimed design.

(56) **References Cited**

U.S. PATENT DOCUMENTS

4,706,429 A 11/1987 Young
4,726,560 A 2/1988 Dotson
4,936,540 A 6/1990 Boeshart
D357,405 S * 4/1995 Philippi D6/567
D357,855 S 5/1995 Keith
D371,506 S * 7/1996 Nofziger D8/354
D373,902 S * 9/1996 Wang D3/318
D378,049 S 2/1997 Boeshart
5,642,597 A * 7/1997 Hendrickson E04B 2/7457
52/489.1
D547,164 S * 7/2007 Xayoiphonh D8/363

1 Claim, 3 Drawing Sheets



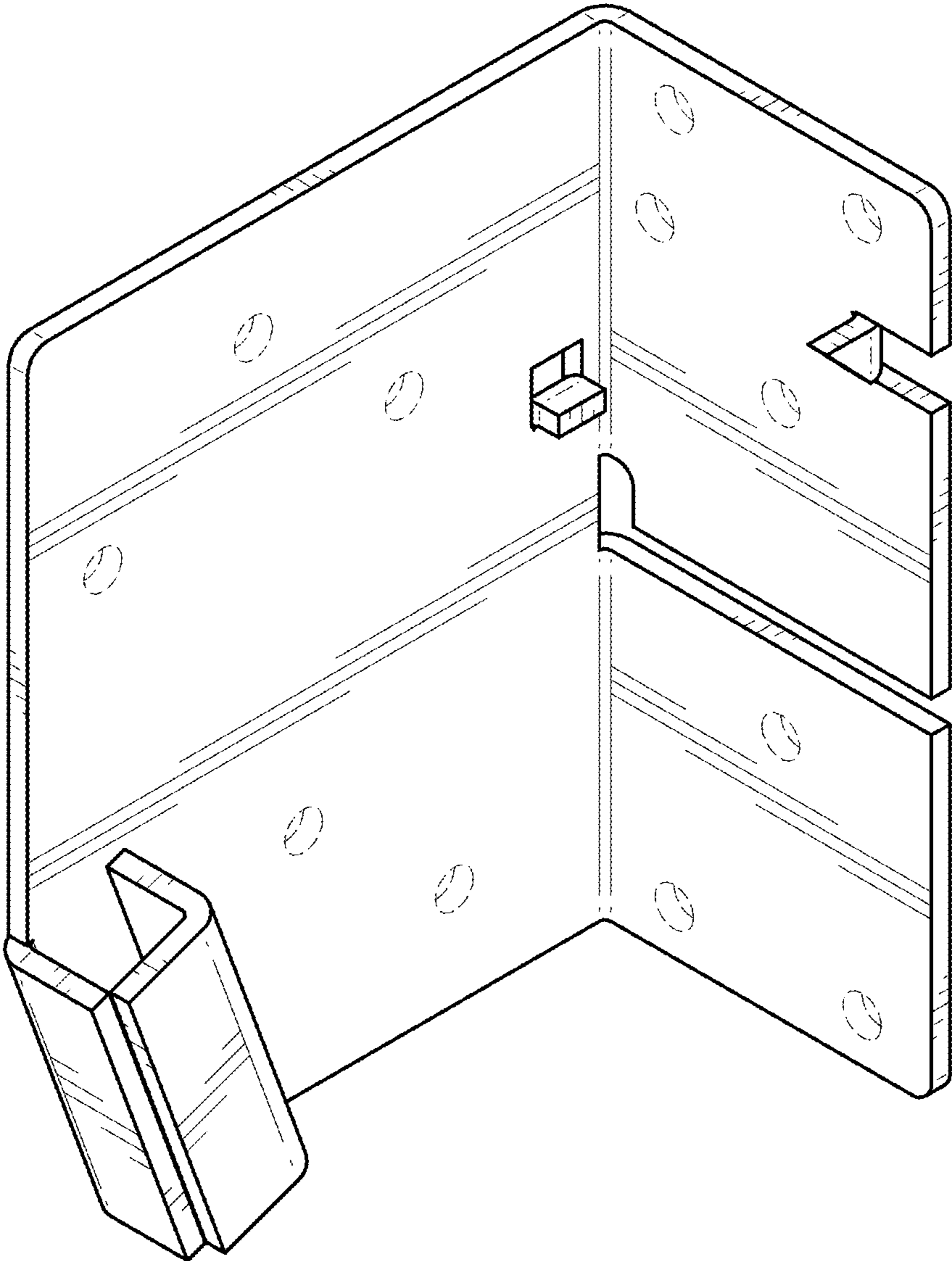


FIG. 1

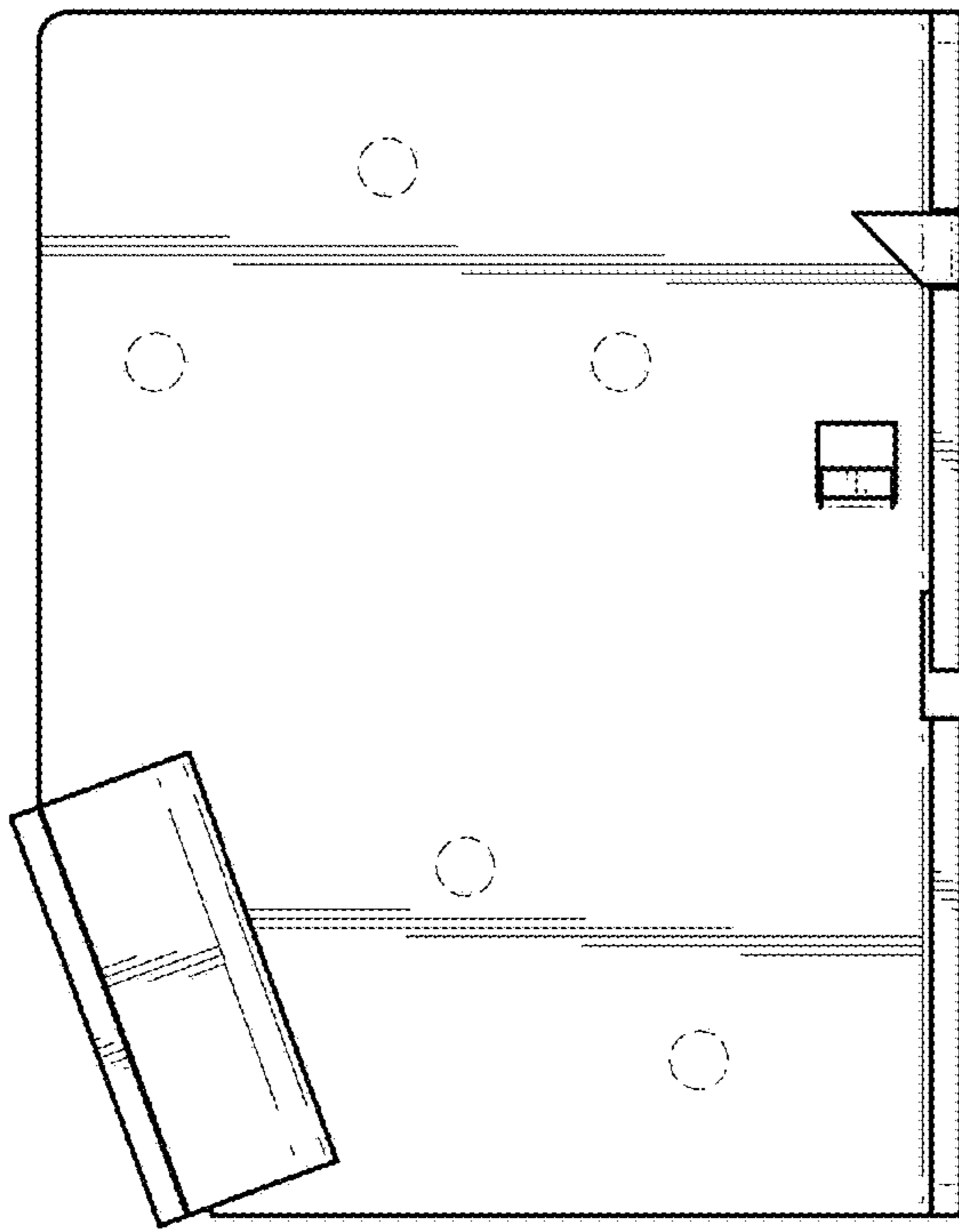


FIG. 2

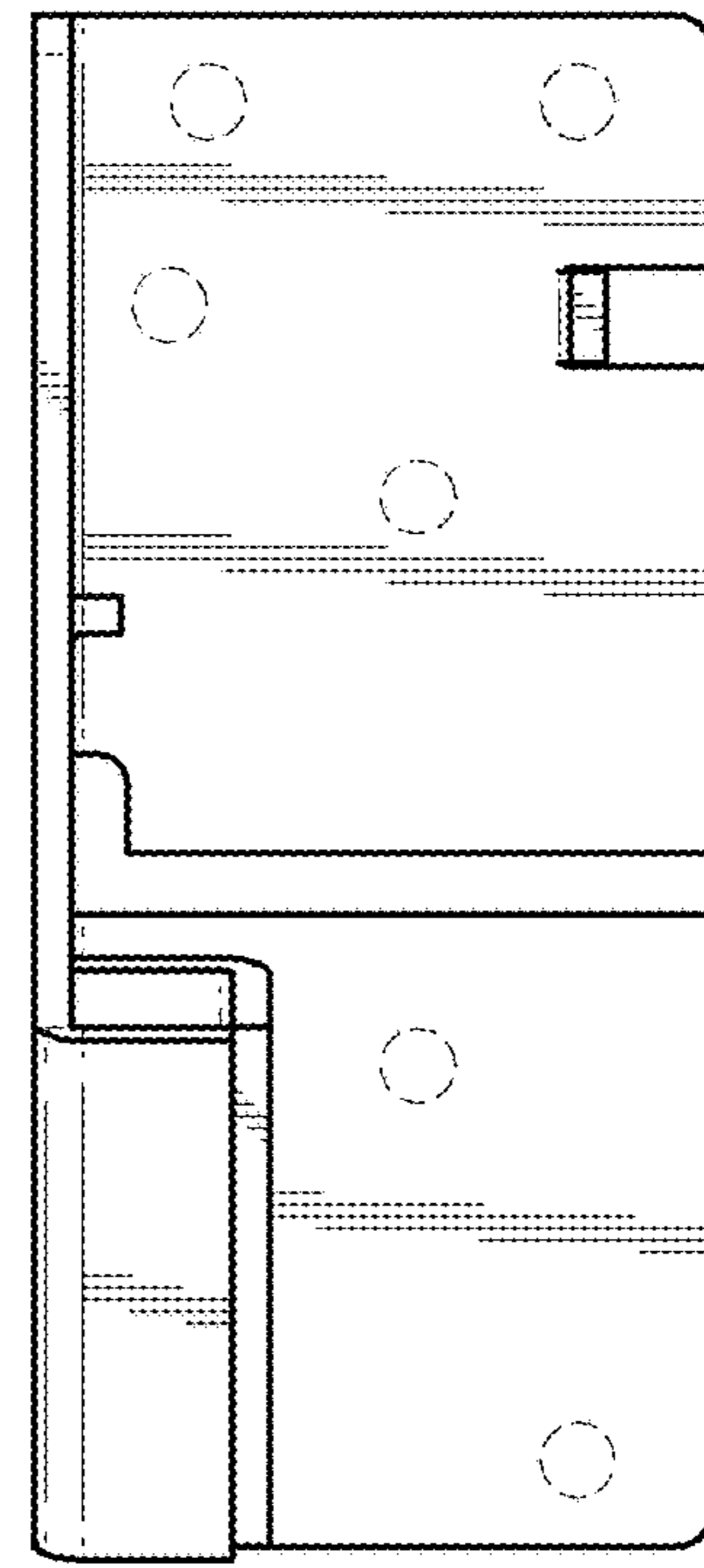


FIG. 3

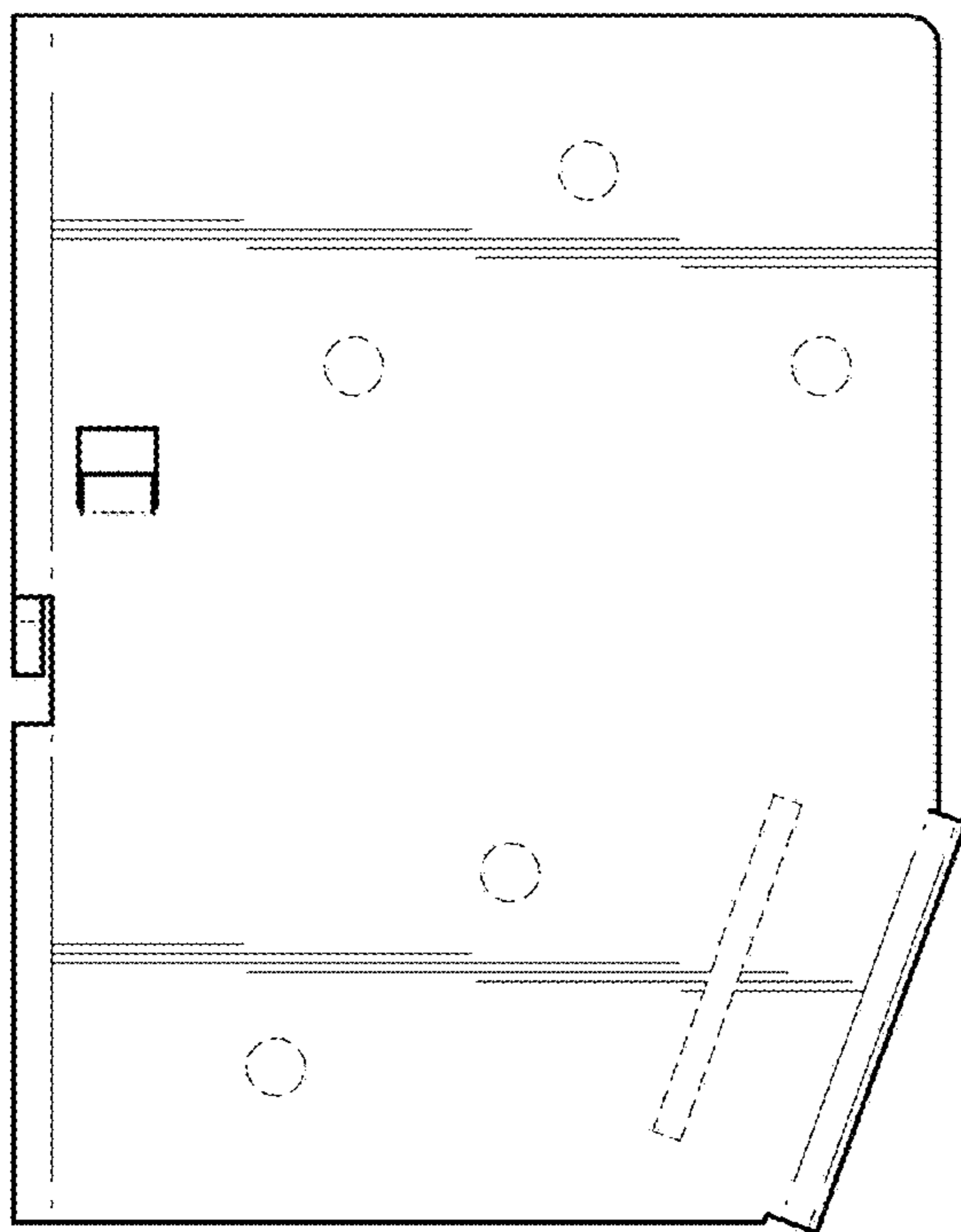


FIG. 4

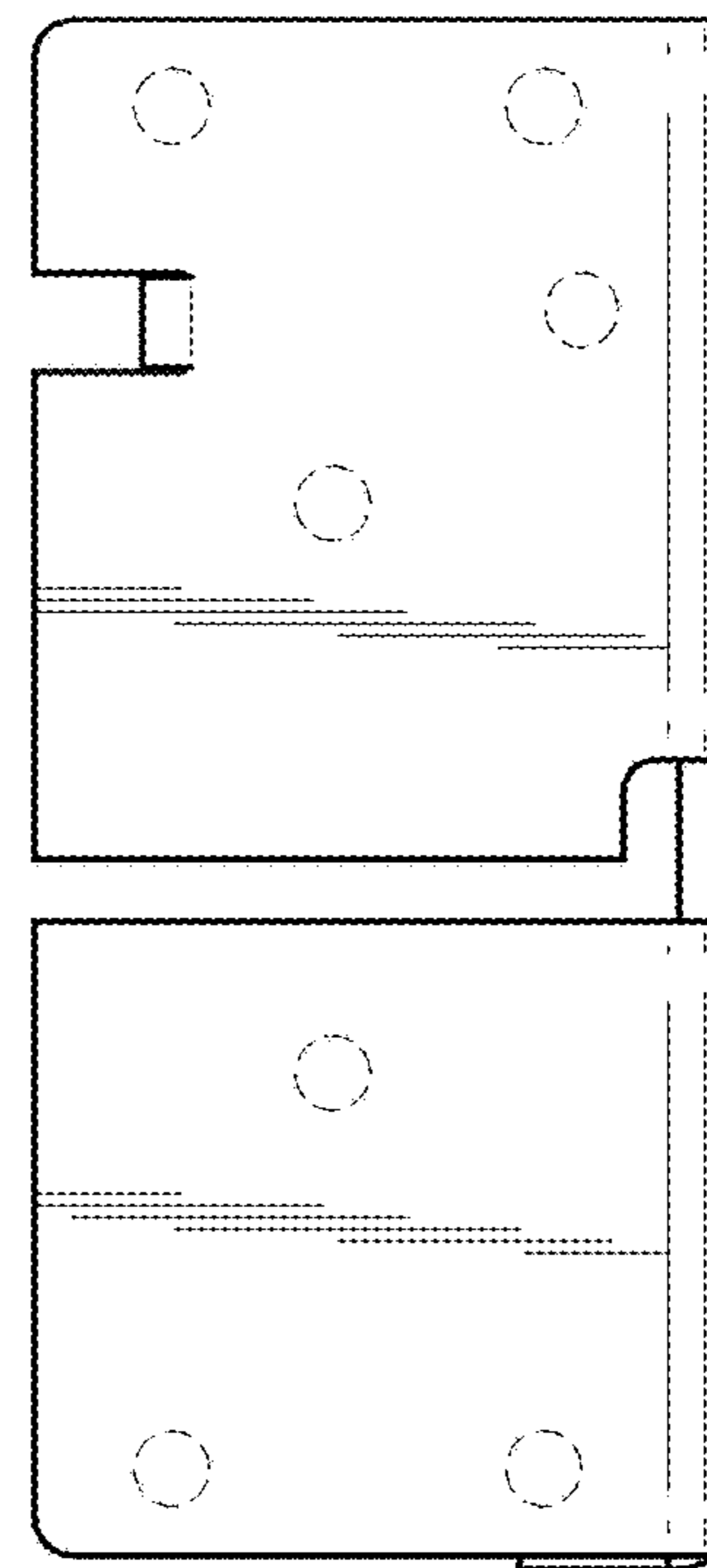


FIG. 5

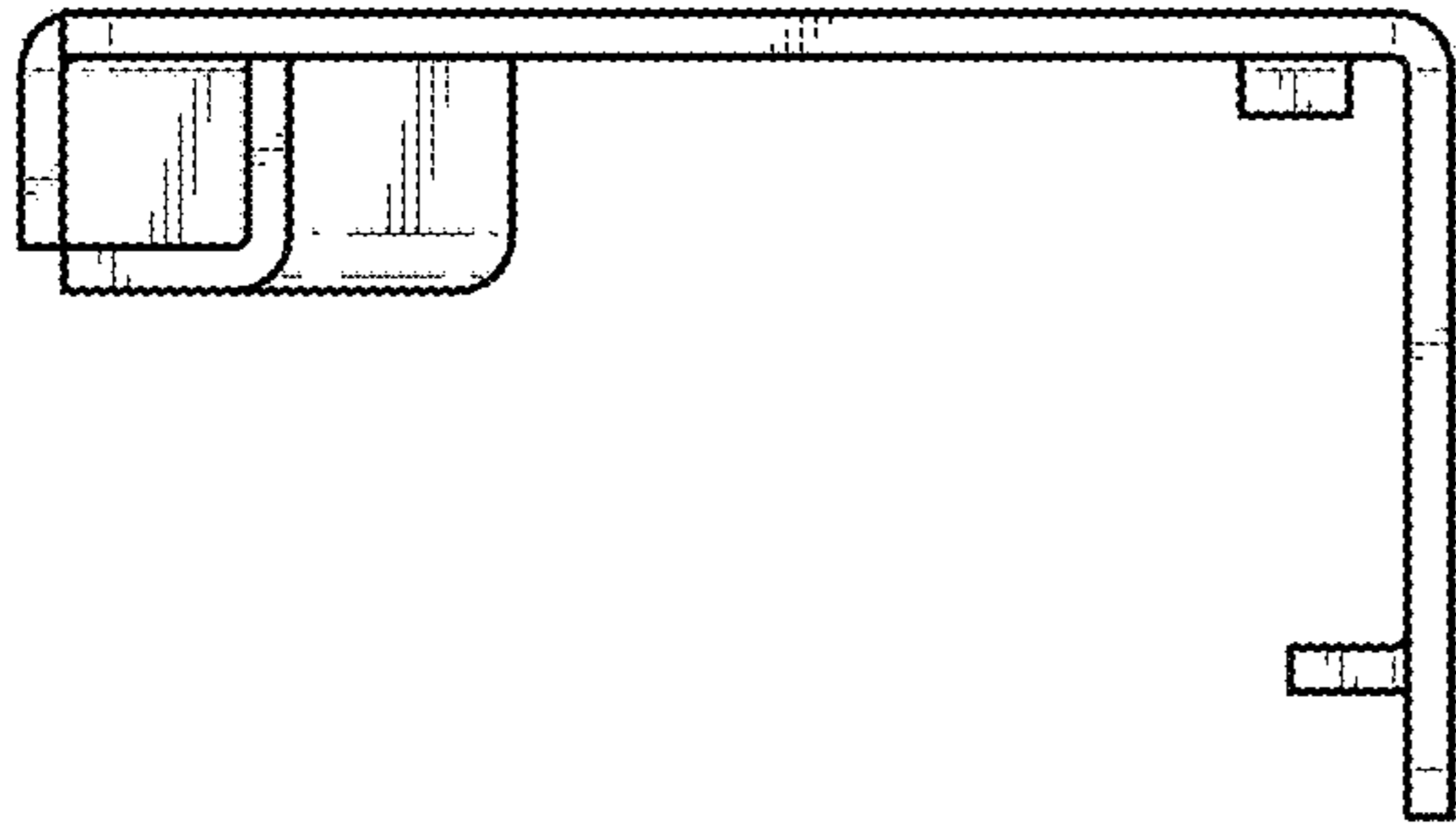


FIG. 6

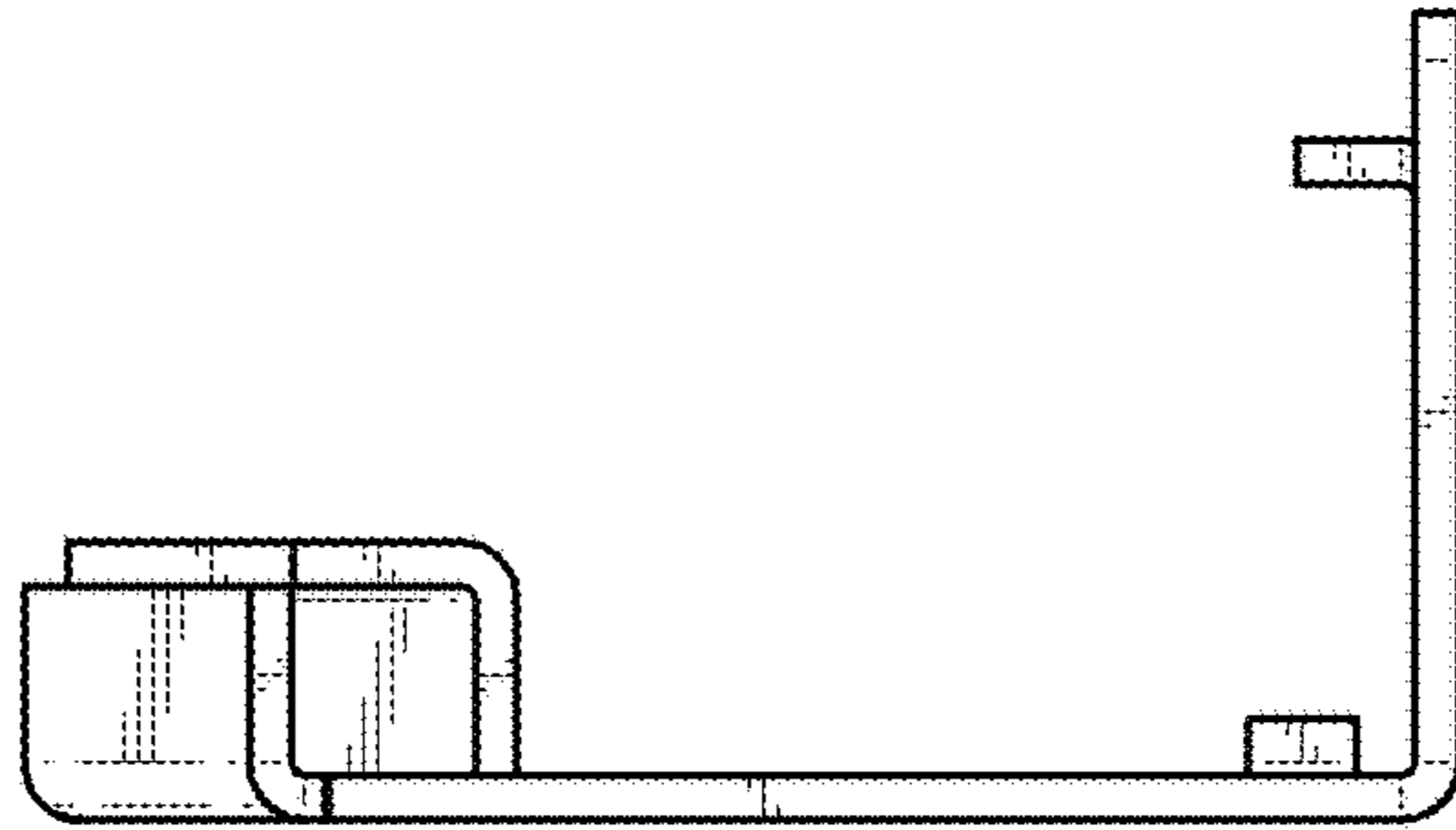


FIG. 7

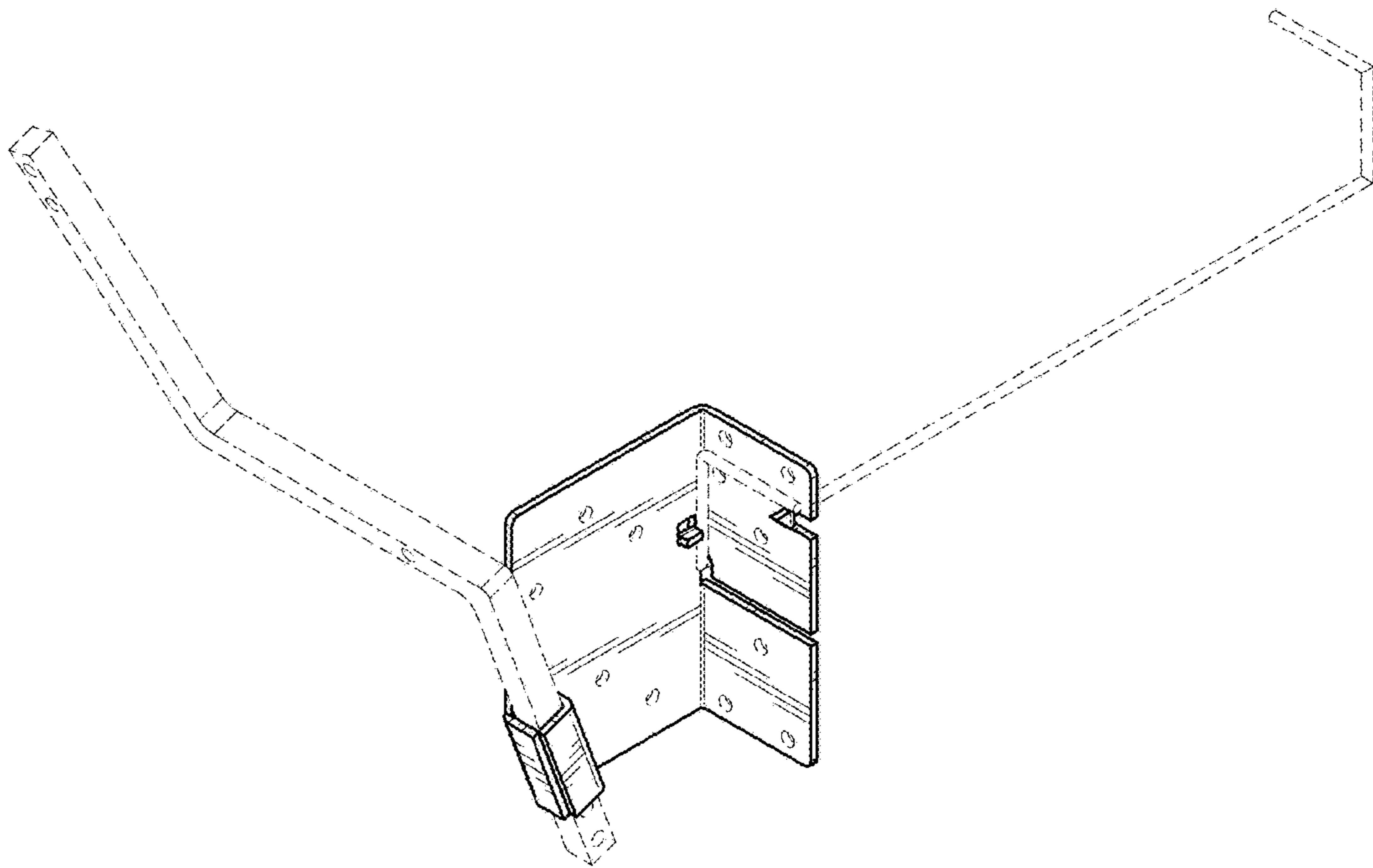


FIG. 8