



US00D807159S

(12) **United States Design Patent**
Heindl

(10) **Patent No.:** **US D807,159 S**

(45) **Date of Patent:** **** Jan. 9, 2018**

(54) **CONNECTING ELEMENT FOR SHEET PILES**

(71) Applicant: **Richard Heindl**, Graefelfing (DE)

(72) Inventor: **Richard Heindl**, Graefelfing (DE)

(**) Term: **15 Years**

(21) Appl. No.: **29/578,588**

(22) Filed: **Sep. 22, 2016**

(30) **Foreign Application Priority Data**

Mar. 23, 2016 (EM) 003038850-0013

(51) **LOC (11) Cl.** **08-08**

(52) **U.S. Cl.**
USPC **D8/382**

(58) **Field of Classification Search**
USPC D8/382, 394, 395; D25/119
CPC E02D 5/02; E02D 5/04; E02D 5/06; E02D
5/08; E02D 5/12; Y10T 403/73
See application file for complete search history.

(56) **References Cited**

U.S. PATENT DOCUMENTS

D318,742 S * 7/1991 Miller D13/155
5,443,151 A * 8/1995 Taylor B65G 21/22
104/109
6,092,346 A * 7/2000 Even E02D 5/06
403/363

D471,794 S * 3/2003 Wall D25/119
D479,797 S * 9/2003 Wall D25/119
D527,248 S * 8/2006 Heindl D8/382
D527,249 S * 8/2006 Heindl D8/382
D527,619 S * 9/2006 Heindl D8/382
D543,841 S * 6/2007 Heindl D8/382
D618,991 S * 7/2010 Heindl D8/382
D640,533 S * 6/2011 Austro D8/382
D665,660 S * 8/2012 Heindl D8/382
2007/0147962 A1 * 6/2007 Wendt E02D 5/08
405/279
2008/0145154 A1 * 6/2008 Heindl E02D 5/08
405/279
2008/0274329 A1 * 11/2008 Heindl E02D 5/06
428/99

* cited by examiner

Primary Examiner — Sandra Snapp

Assistant Examiner — Jeisha Price

(74) *Attorney, Agent, or Firm* — Shuttleworth & Ingersoll, PLC; Timothy J. Klima

(57) **CLAIM**

The ornamental design for a connecting element for sheet piles, as shown and described.

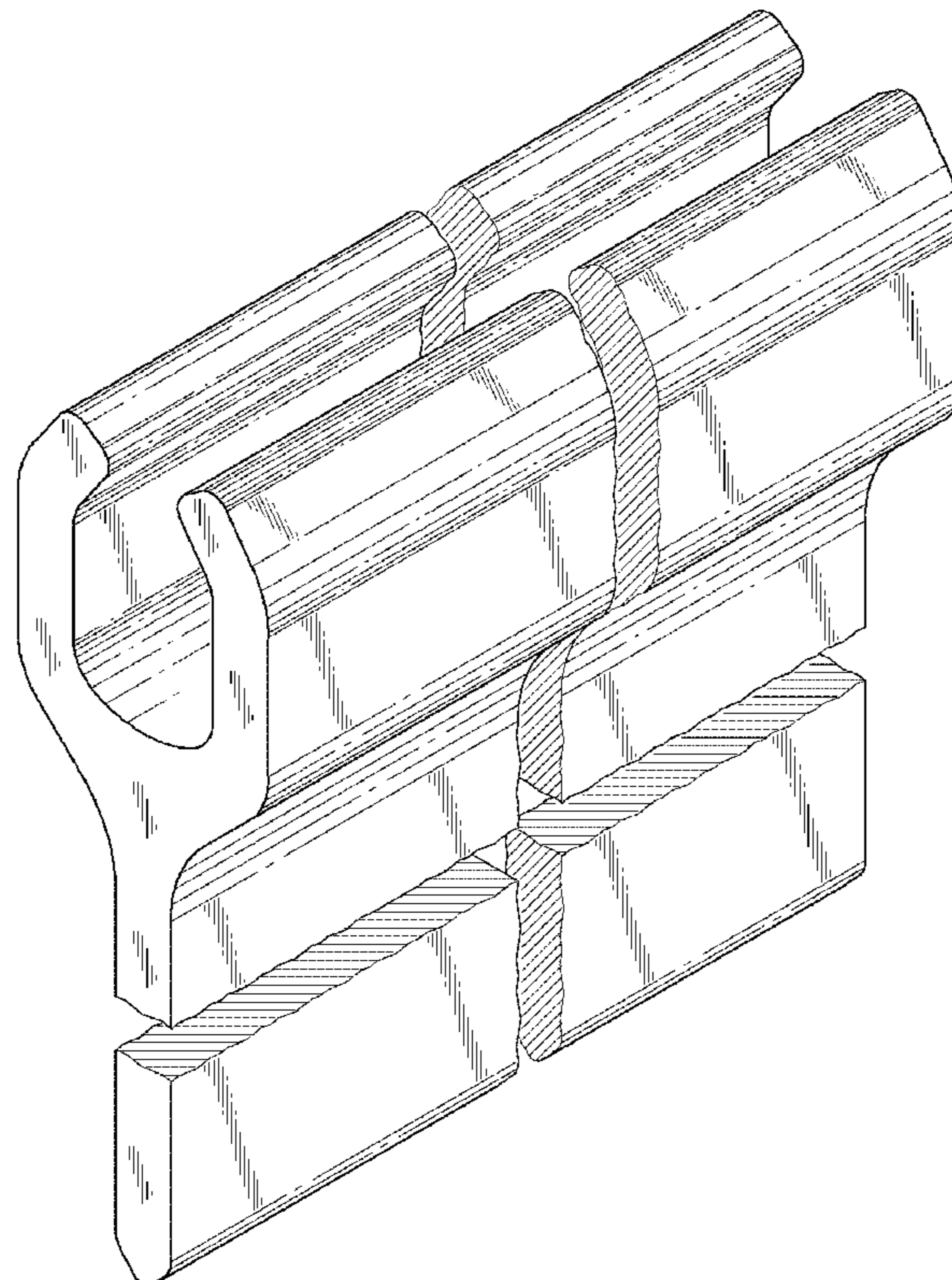
DESCRIPTION

FIG. 1 is a perspective view of a connecting element for sheet piles; and,

FIG. 2 is a front view thereof.

All portions of the connecting element for sheet piles located between the break lines, shown throughout the drawing disclosure, form no part of the claimed design.

1 Claim, 2 Drawing Sheets



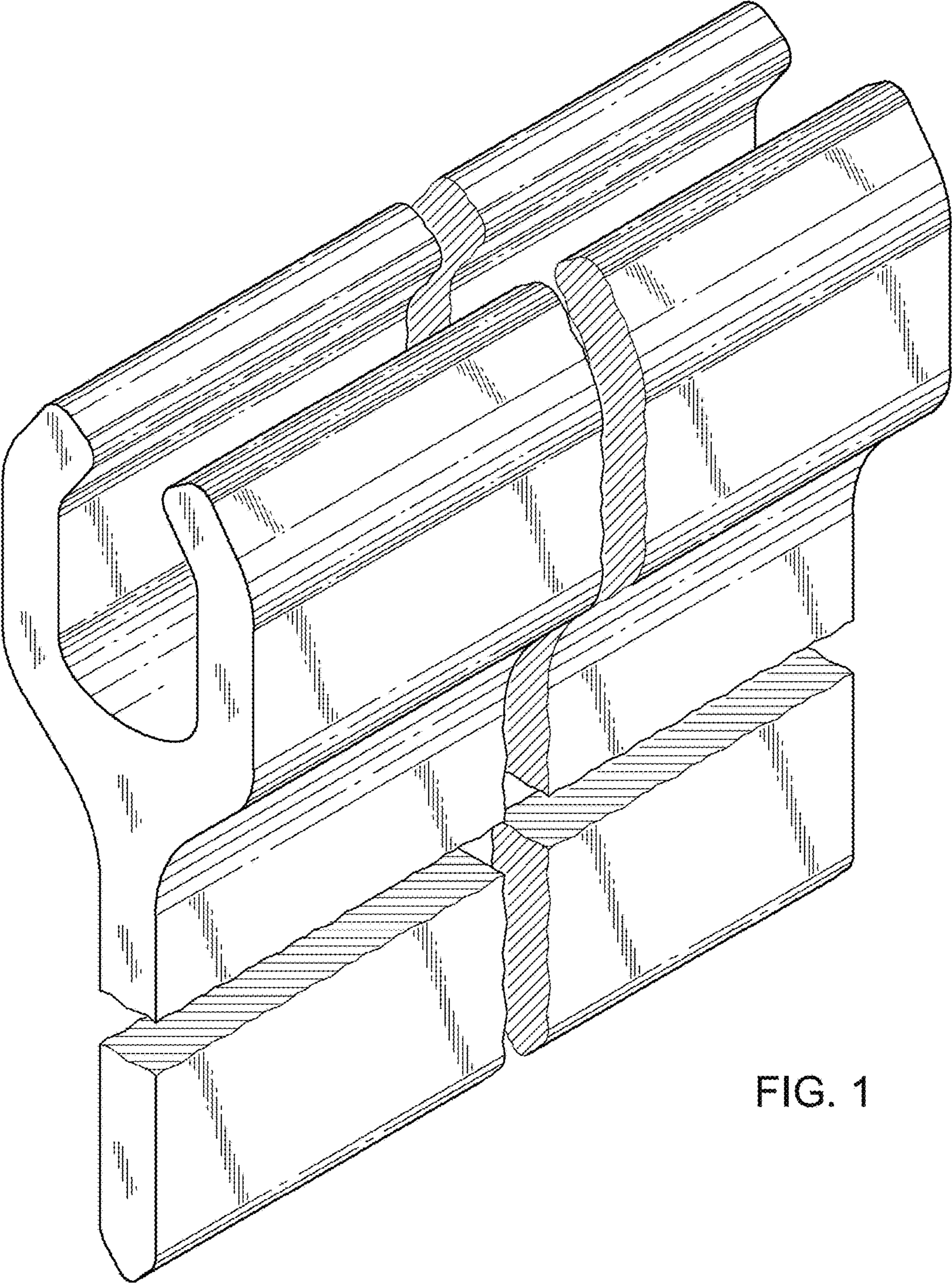


FIG. 1

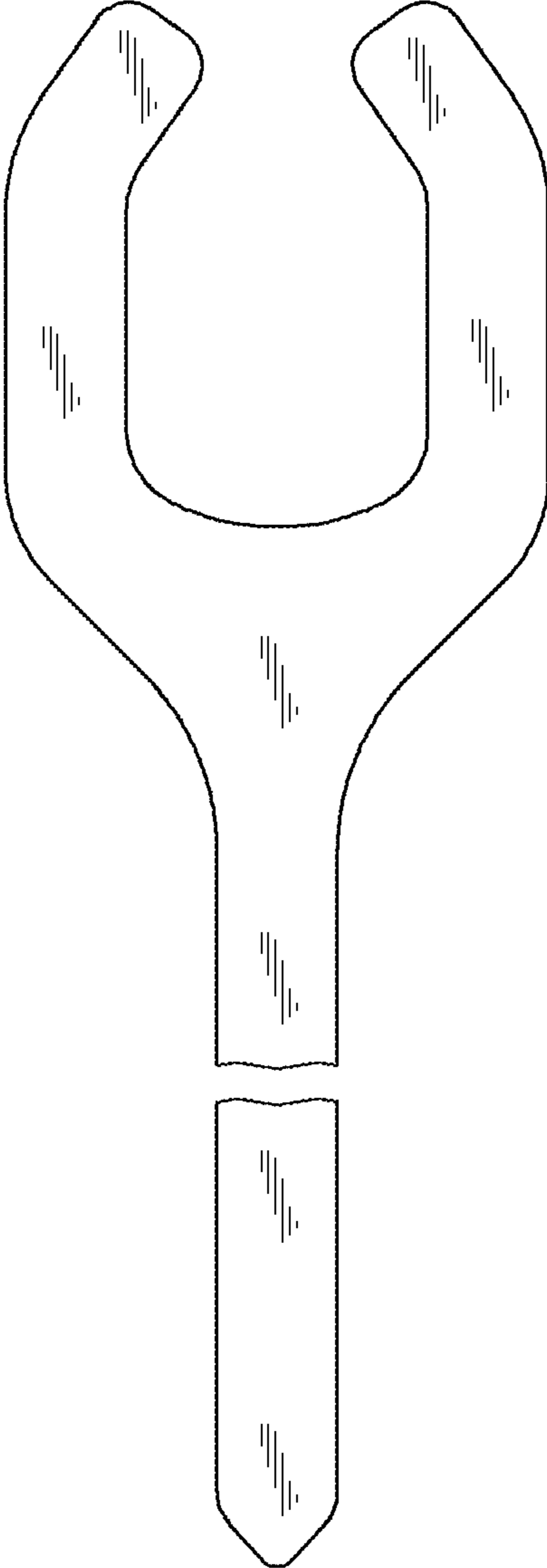


FIG. 2