



US00D807158S

(12) **United States Design Patent** (10) **Patent No.:** **US D807,158 S**  
**Wu** (45) **Date of Patent:** **\*\* Jan. 9, 2018**

(54) **PULL-OUT DOWEL PIN**  
(71) Applicant: **FAREAST METAL INTERNATIONAL CO., LTD.,** Tainan (TW)  
(72) Inventor: **Chung-Huei Wu,** Tainan (TW)  
(73) Assignee: **FAREAST METAL INTERNATIONAL CO., LTD,** Tainan (TW)  
(\*\*) Term: **15 Years**  
(21) Appl. No.: **29/569,776**

2,330,954 A \* 10/1943 Cotera ..... B43L 19/00  
15/3.53  
2,384,918 A \* 9/1945 Houk ..... F16B 2/04  
403/297  
3,132,557 A \* 5/1964 Bauer ..... F16B 19/02  
411/479  
3,550,244 A \* 12/1970 Utzy ..... B07C 5/04  
148/270  
3,557,402 A \* 1/1971 Koehl ..... F16B 19/004  
16/380  
3,613,495 A \* 10/1971 Podgursky ..... B29C 65/601  
29/509  
3,883,258 A \* 5/1975 Hewson ..... F16B 12/24  
403/292  
3,884,002 A \* 5/1975 Logie ..... E04B 1/6162  
312/263  
4,389,809 A \* 6/1983 Fischer ..... A63H 33/102  
403/297

(22) Filed: **Jun. 30, 2016**  
(51) **LOC (11) Cl.** ..... **08-08**  
(52) **U.S. Cl.**  
USPC ..... **D8/382**  
(58) **Field of Classification Search**  
USPC ..... D8/51, 349, 382, 385, 387, 388, 391,  
D8/393, 499  
CPC ..... F16B 13/00; F16B 12/24; F16B 19/004;  
F16B 2019/006; F16B 19/00; F16B  
12/00; F16B 13/141; F16B 19/02; F16B  
13/0816; F16B 2013/007; Y10T 403/55;  
Y10T 403/46; Y10T 403/4974; B27M  
3/28; A47B 2230/0033; A47B 2230/0037;  
A47B 2230/0029  
See application file for complete search history.

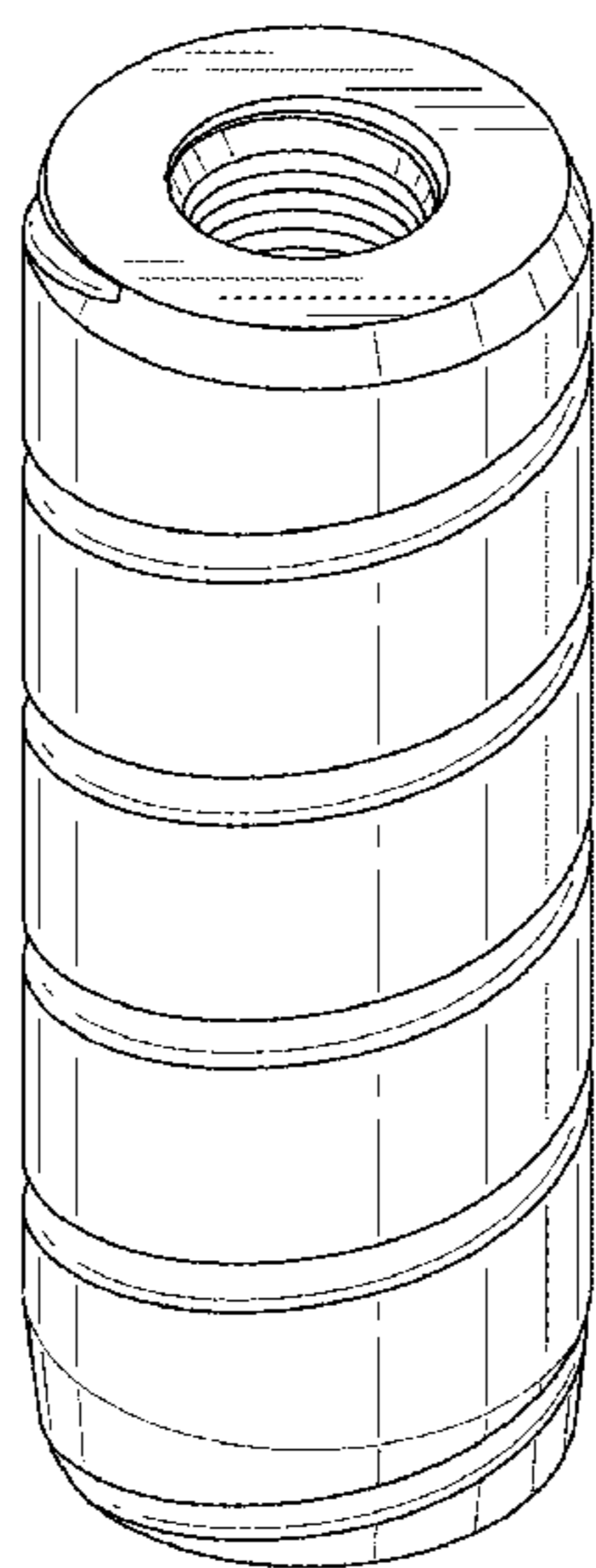
(Continued)  
*Primary Examiner* — Sandra Snapp  
*Assistant Examiner* — Ieisha Price  
(74) *Attorney, Agent, or Firm* — Kirton McConkie; Evan R. Witt

(56) **References Cited**  
U.S. PATENT DOCUMENTS  
569,235 A \* 10/1896 Rockwell ..... F16B 12/24  
114/84  
1,687,207 A \* 10/1928 Hawker ..... B27M 1/02  
144/12  
2,100,873 A \* 11/1937 Roberts ..... F16B 19/02  
403/297

(57) **CLAIM**  
The ornamental design for a pull-out dowel pin, as shown and described.

**DESCRIPTION**  
FIG. 1 is a perspective view of a pull-out dowel pin showing my new design;  
FIG. 2 is a front elevational view thereof;  
FIG. 3 is a rear elevational view thereof;  
FIG. 4 is a left side elevational view thereof;  
FIG. 5 is a right side elevational view thereof;  
FIG. 6 is a top plan view thereof; and,  
FIG. 7 is a bottom plan view thereof.  
The broken line portion in FIG. 6 is included to show unclaimed subject matter only and forms no part of the claimed design.

**1 Claim, 4 Drawing Sheets**



(56)

**References Cited**

U.S. PATENT DOCUMENTS

4,518,291 A \* 5/1985 Lang ..... F16B 13/124  
403/297  
D315,290 S \* 3/1991 Ikuta ..... D8/385  
5,131,783 A \* 7/1992 Astl ..... F16B 12/24  
403/292  
5,362,185 A \* 11/1994 Haack ..... B25B 27/023  
411/324  
D371,302 S \* 7/1996 Spirer ..... D8/47  
7,458,169 B1 \* 12/2008 Coope ..... B23Q 3/183  
33/645  
D767,355 S \* 9/2016 Scott ..... D8/51  
2010/0064490 A1 \* 3/2010 Balsells ..... F16B 19/02  
24/711.1  
2010/0232872 A1 \* 9/2010 Kato ..... E04B 1/2604  
403/306

\* cited by examiner

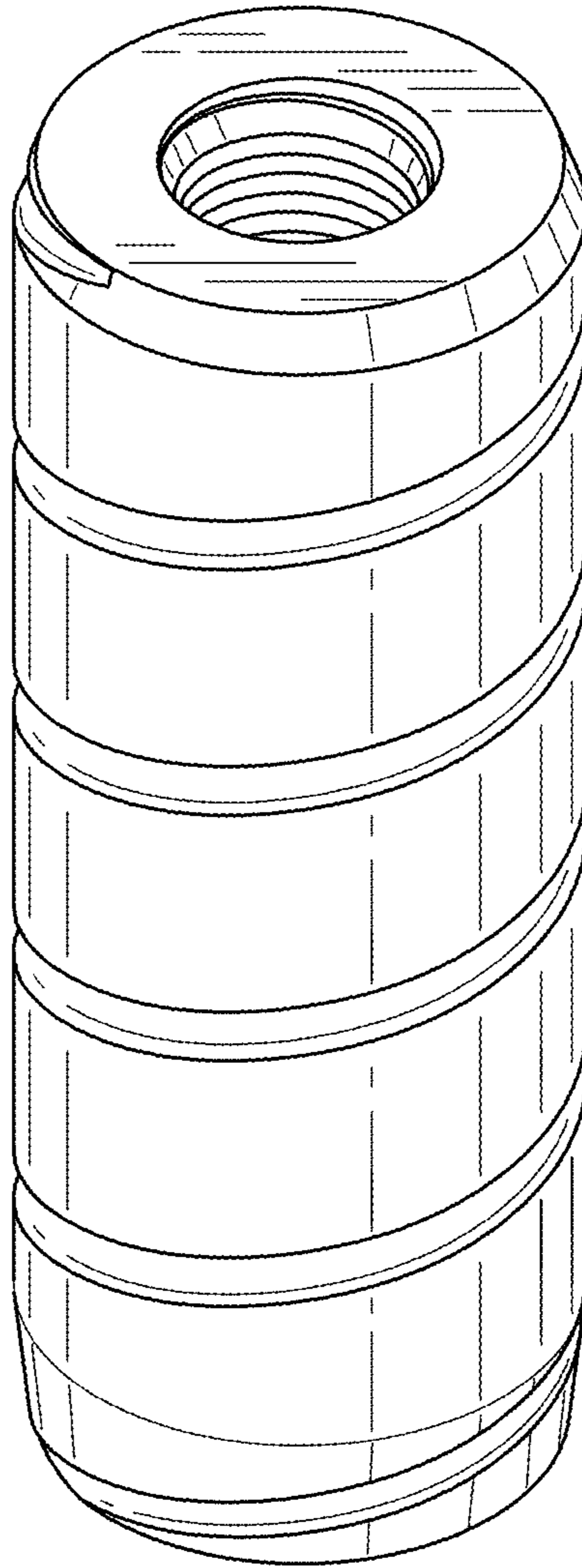


FIG. 1

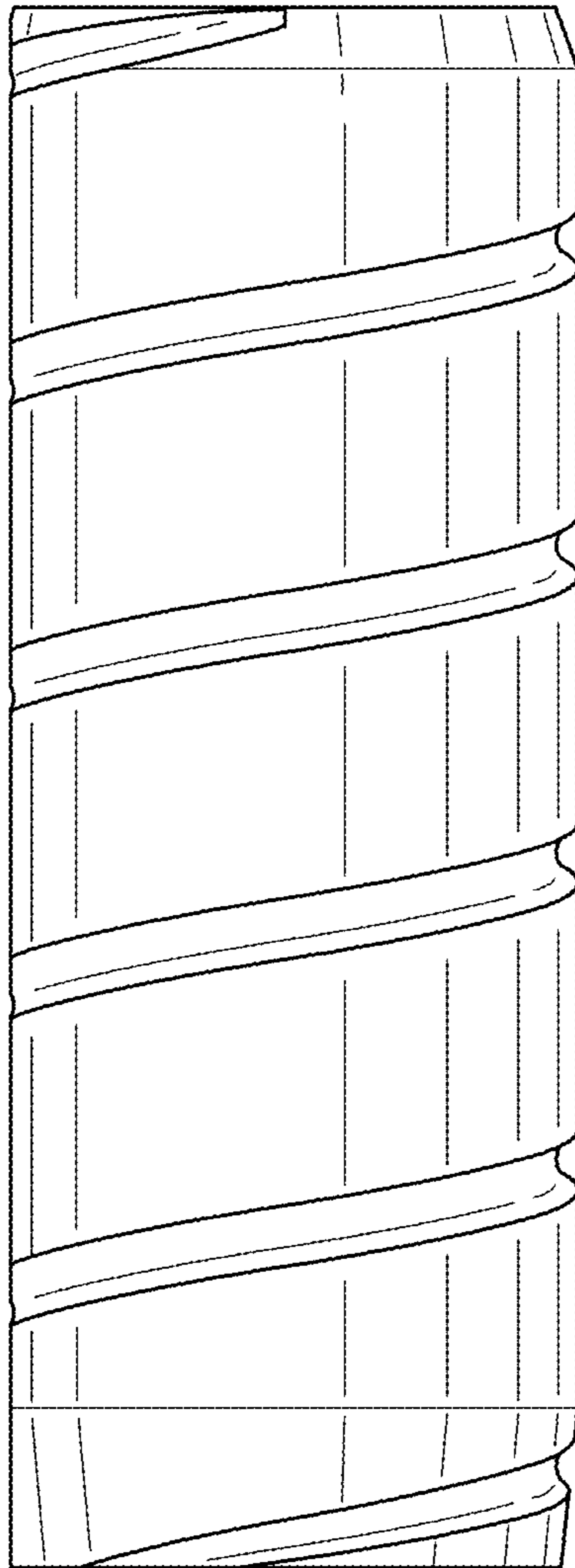


FIG. 2

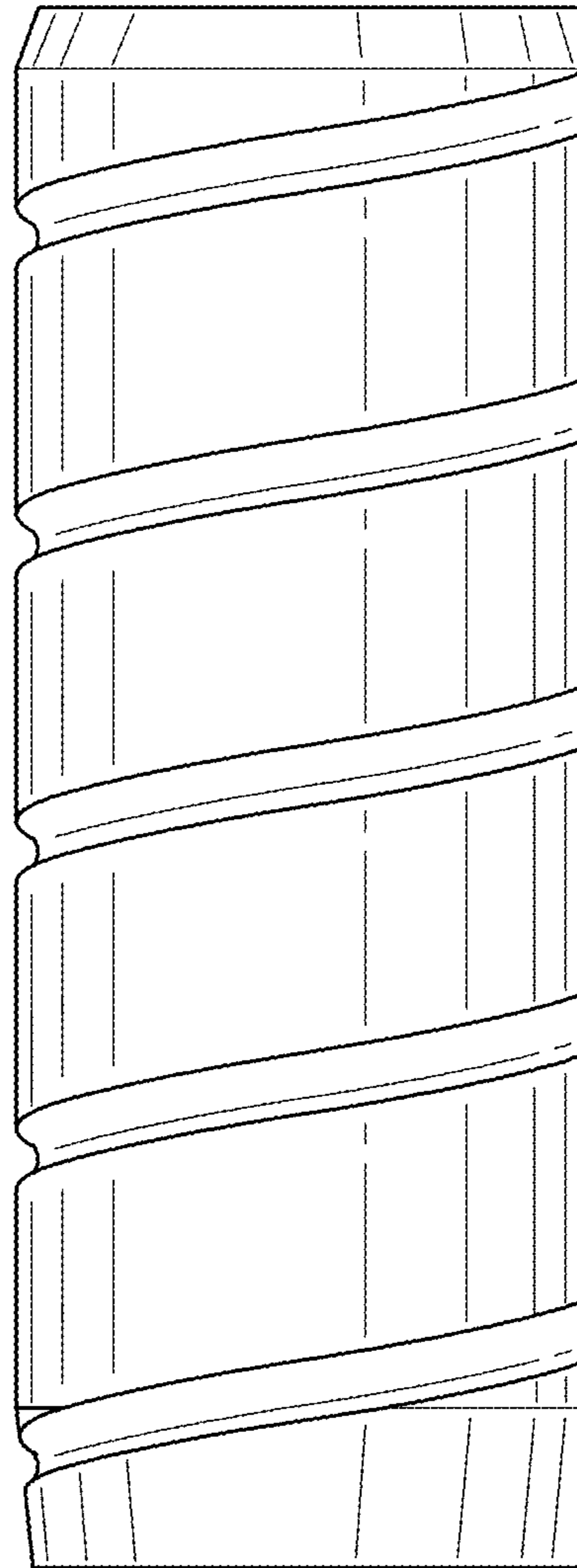


FIG. 3

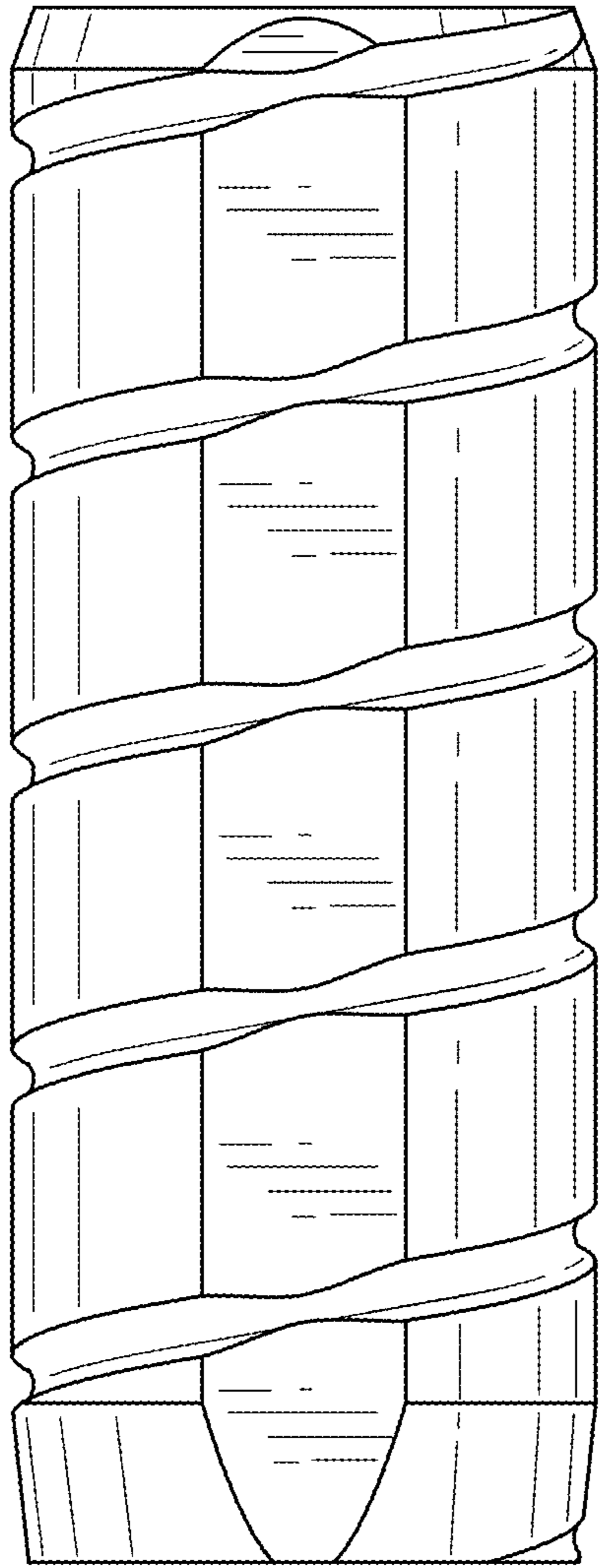


FIG. 4

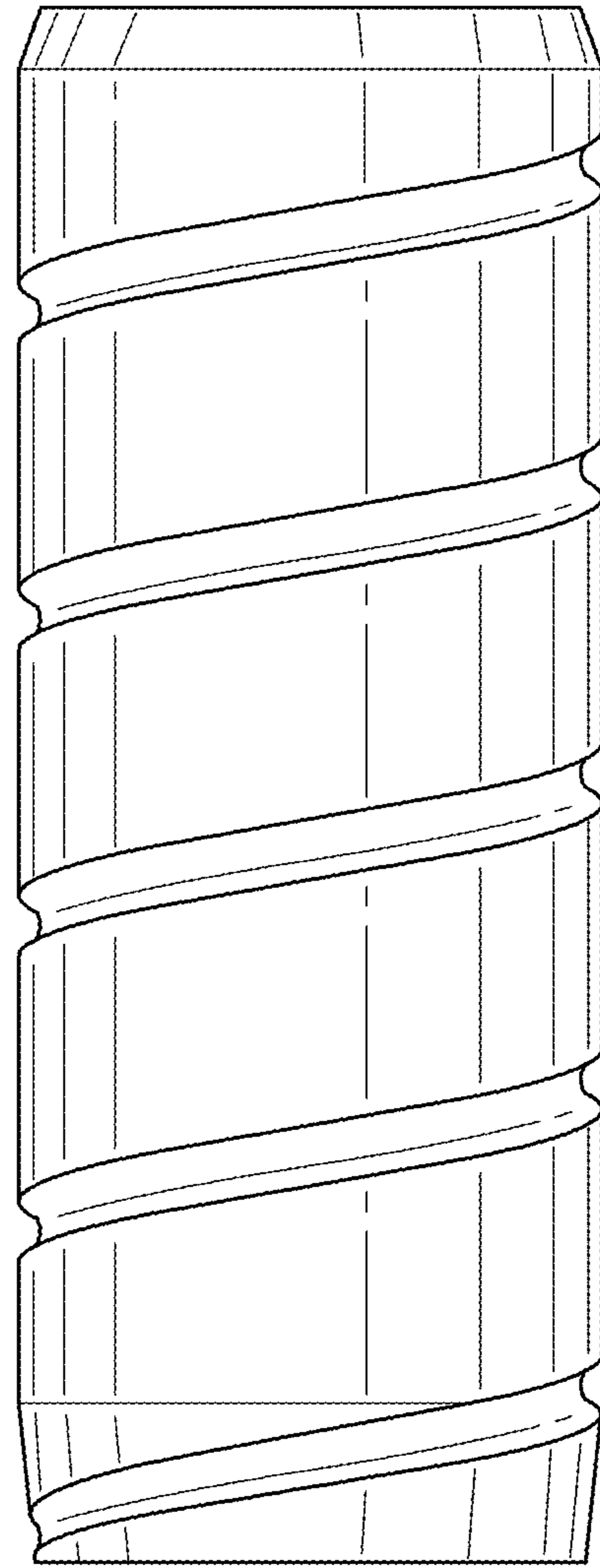


FIG. 5

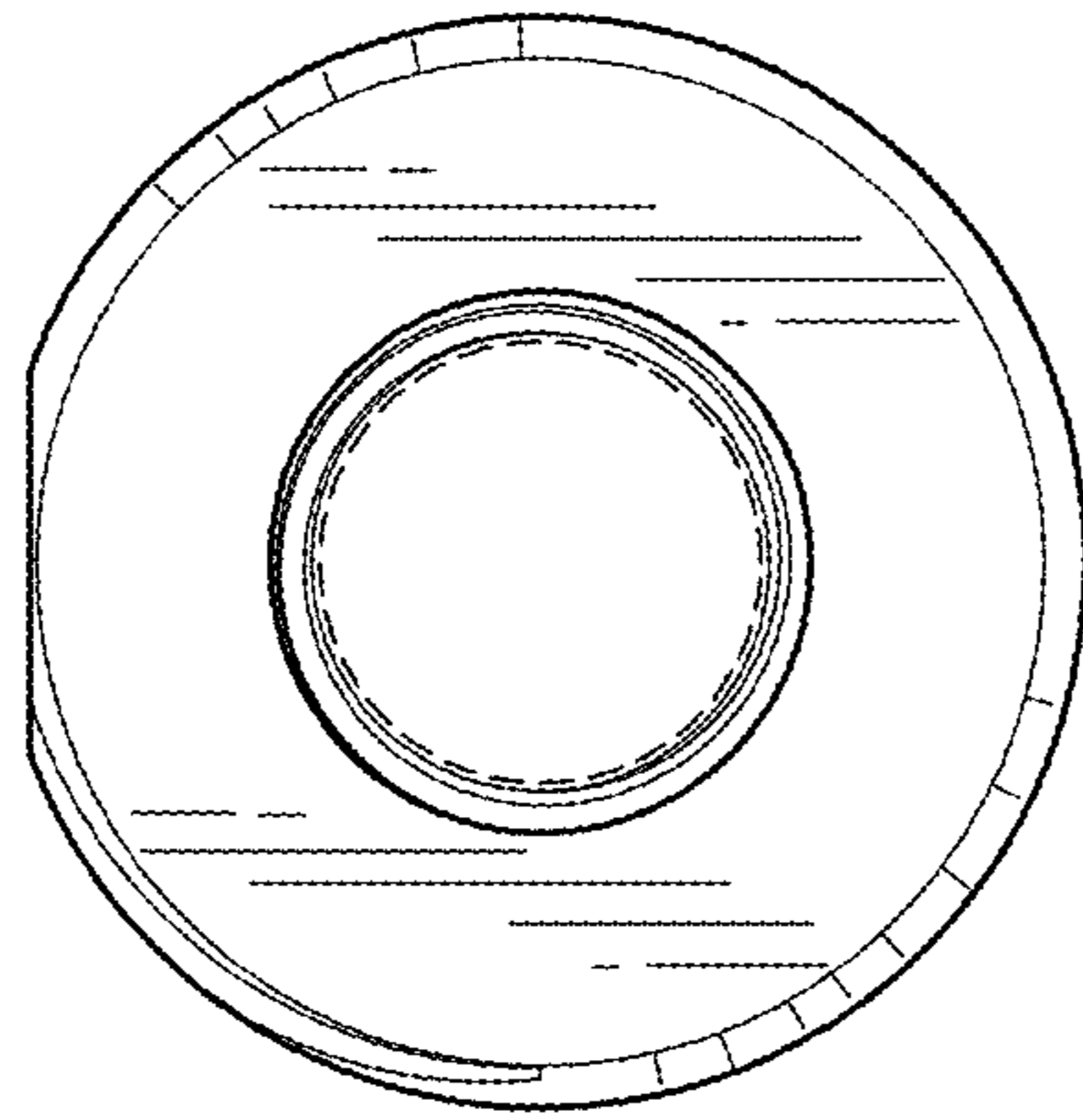


FIG. 6

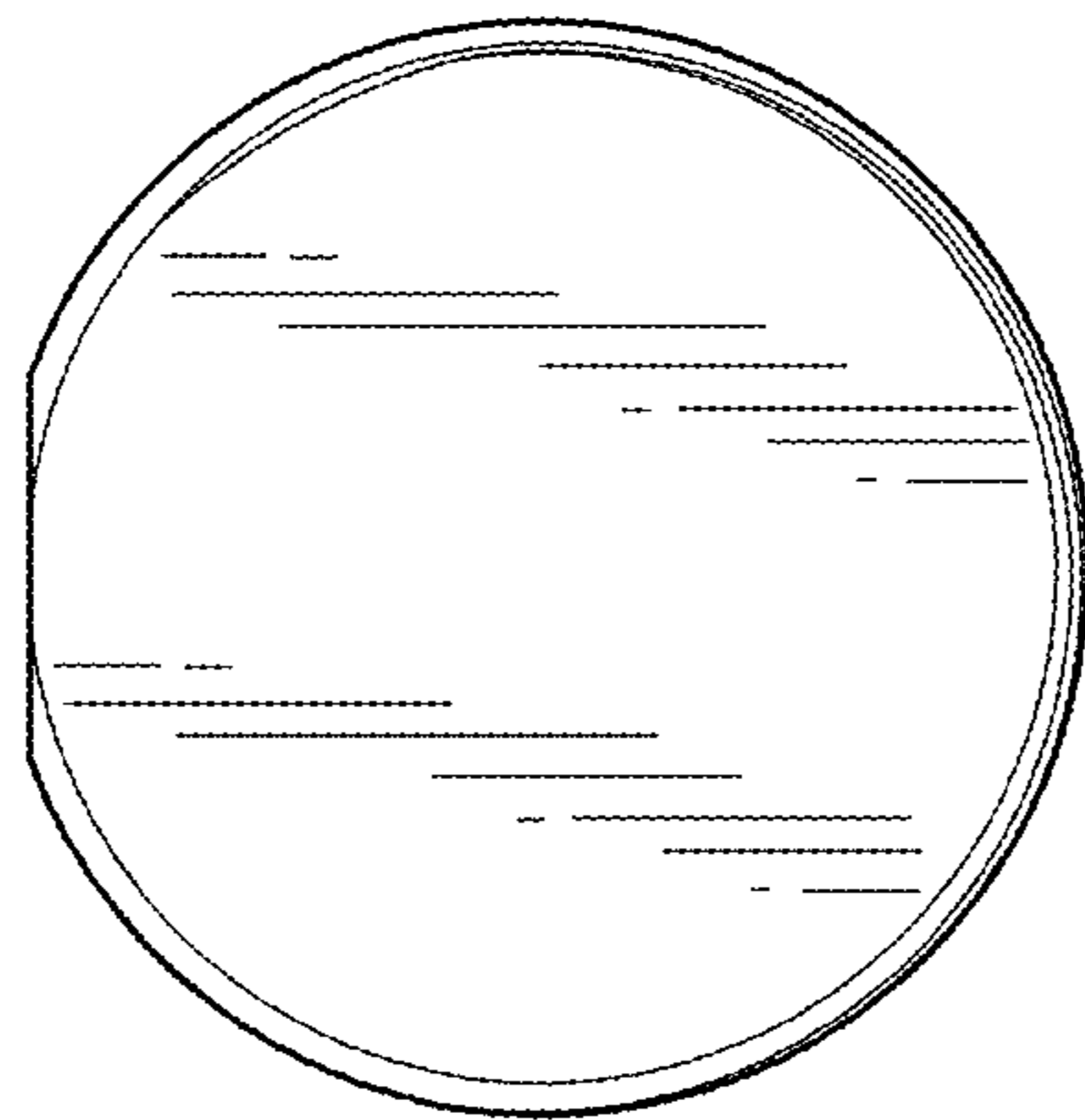


FIG. 7