



US00D807157S

(12) **United States Design Patent**
Bhatta et al.

(10) **Patent No.:** **US D807,157 S**
(45) **Date of Patent:** **** Jan. 9, 2018**

(54) **FASTENER**
(71) Applicant: **Zurn Industries, LLC**, Milwaukee, WI (US)
(72) Inventors: **Himanshu Bhatta**, Raleigh, NC (US); **Zachary Henry**, Holly Springs, NC (US); **Jack Chuang**, Chang Hua (TW)
(73) Assignee: **Zurn Industries, LLC**, Milwaukee, WI (US)
(**) Term: **14 Years**

4,240,183 A * 12/1980 Sumimoto F16B 21/088
24/16 PB
4,240,412 A * 12/1980 James A63B 23/20
482/91
4,338,755 A * 7/1982 Chichester, Jr. F16B 37/043
411/366.2
4,854,014 A * 8/1989 Ueno B65D 63/1081
24/16 PB
5,011,354 A * 4/1991 Brownlee F16B 15/00
411/439
5,054,513 A 10/1991 Trueb et al.
D324,649 S * 3/1992 Lederhaus, Jr. D8/391
5,163,469 A 11/1992 Trueb et al.
5,259,410 A 11/1993 Trueb et al.
(Continued)

(21) Appl. No.: **29/511,270**
(22) Filed: **Dec. 9, 2014**
(51) **LOC (11) Cl.** **08-08**
(52) **U.S. Cl.**
USPC **D8/382**
(58) **Field of Classification Search**
USPC D8/349, 382, 385, 388, 499; D23/249,
D23/262, 303, 386
CPC F16L 59/168; F16L 59/22; F16L 59/022;
F16L 59/028; F16L 57/00; F16B 19/004;
F16B 21/082; E03C 1/041; E03C
2001/321; Y10T 137/7036
See application file for complete search history.

FOREIGN PATENT DOCUMENTS

CA 1249974 2/1989
CA 2106177 C 7/1997
(Continued)

Primary Examiner — Sandra Snapp
Assistant Examiner — Ieisha Price
(74) *Attorney, Agent, or Firm* — Quarles & Brady LLP

(57) **CLAIM**

The ornamental design for a fastener, as shown and described.

(56) **References Cited**

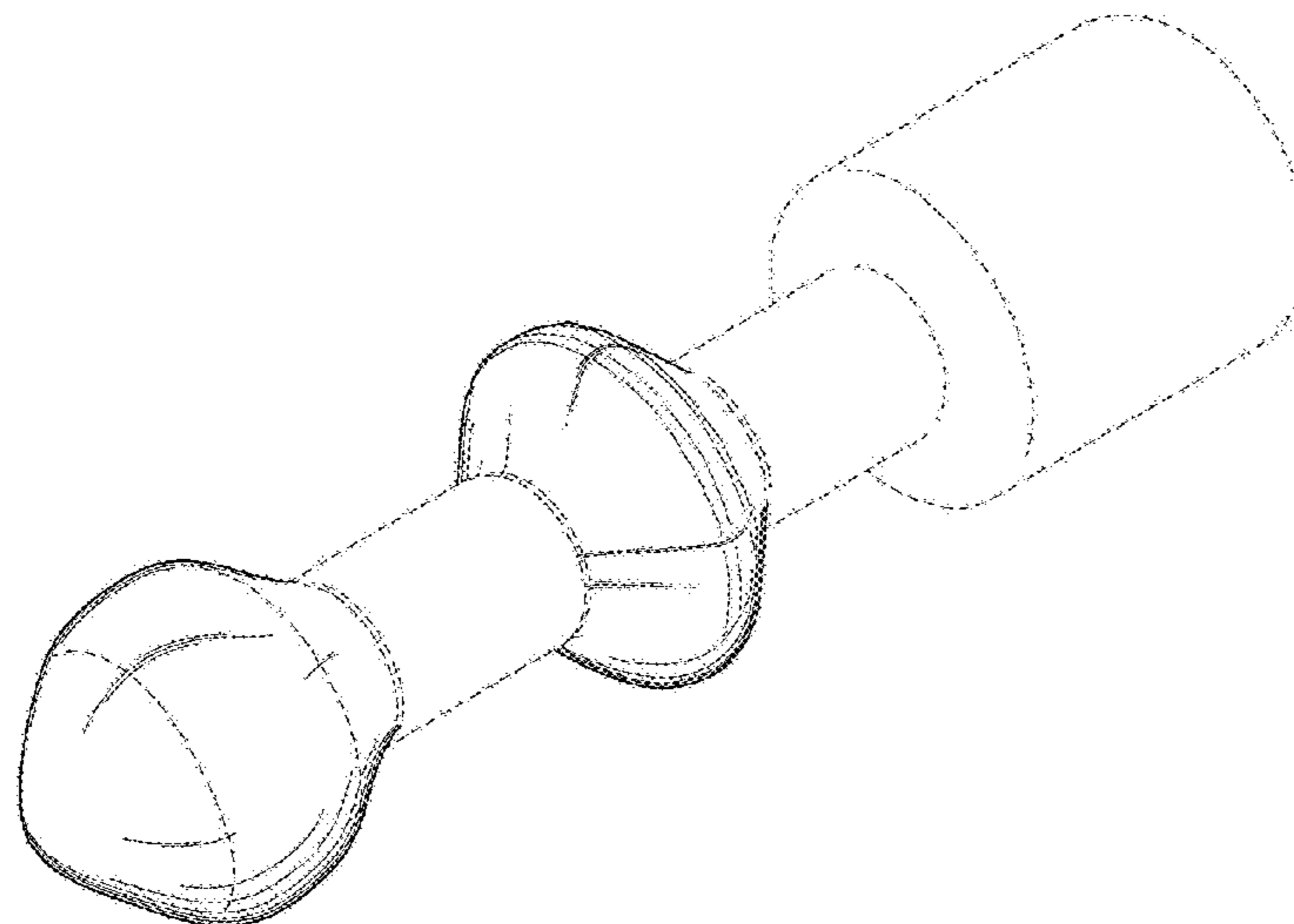
U.S. PATENT DOCUMENTS

D54,961 S * 4/1920 Schuler D8/382
1,824,601 A 9/1931 Knight
2,307,348 A * 1/1943 Anderson F16B 15/02
411/487
3,153,546 A 10/1964 Dunn
3,966,339 A * 6/1976 Nemecek F16B 12/24
403/292
4,018,023 A * 4/1977 Anderson F27D 1/144
403/289
4,093,288 A * 6/1978 Suzuki F16B 2/08
24/16 PB

DESCRIPTION

FIG. 1 is a front view of a fastener showing our new design in accordance with the present invention;
FIG. 2 is a rear view thereof;
FIG. 3 is a right side view thereof;
FIG. 4 is a left side view thereof;
FIG. 5 is a bottom view thereof; and,
FIG. 6 is an upper right top perspective view thereof.
The portions of the fastener shown in broken lines form no part of the claimed design.

1 Claim, 2 Drawing Sheets



(56)

References Cited

U.S. PATENT DOCUMENTS

5,303,730 A 4/1994 Trueb et al.
 5,360,031 A 11/1994 Trueb et al.
 D357,855 S * 5/1995 Keith D8/384
 5,419,364 A 5/1995 Trueb et al.
 5,454,392 A 10/1995 Trueb et al.
 5,519,973 A * 5/1996 Keith B28B 19/003
 411/439
 5,524,669 A * 6/1996 Trueb F16L 9/22
 137/375

 5,540,255 A 7/1996 Trueb et al.
 5,564,463 A 10/1996 Helmsderfer
 D386,569 S 11/1997 Trueb et al.
 5,685,328 A 11/1997 Helmsderfer
 5,699,828 A 12/1997 Helmsderfer
 5,701,929 A 12/1997 Helmsderfer
 D409,728 S 5/1999 Helmsderfer
 5,901,739 A 5/1999 Helmsderfer
 5,913,325 A 6/1999 Helmsderfer
 5,915,412 A 6/1999 Helmsderfer
 5,915,413 A 6/1999 Helmsderfer
 5,934,316 A 8/1999 Helmsderfer
 5,960,820 A 10/1999 Helmsderfer
 D416,189 S * 11/1999 Bollman D8/382
 6,000,420 A 12/1999 Nicholson et al.
 6,182,706 B1 2/2001 Tako et al.
 D449,564 S * 10/2001 Platt D11/222
 D451,789 S * 12/2001 Hsieh D13/179

D455,945 S * 4/2002 Gilbert D8/331
 D456,700 S * 5/2002 Miller D8/382
 D462,257 S * 9/2002 Alexander D8/391
 D462,600 S * 9/2002 Gilbert D8/331
 6,443,497 B1 9/2002 Gravison
 D489,435 S 5/2004 Trueb et al.
 6,739,353 B2 5/2004 Lechuga
 7,032,615 B2 4/2006 Trueb et al.
 7,100,663 B2 9/2006 Zhang et al.
 7,264,431 B2 9/2007 Trueb et al.
 D564,345 S * 3/2008 Prada D8/391
 8,196,612 B2 6/2012 Trueb et al.
 2002/0108663 A1 8/2002 Lechuga
 2004/0089780 A1 * 5/2004 Erdoes F16B 5/0692
 248/309.2

 2004/0211467 A1 10/2004 Lechuga
 2005/0067019 A1 * 3/2005 Trueb F16B 21/082
 137/375

 2013/0251445 A1 * 9/2013 Robertshaw E21D 11/083
 403/167

 2016/0161043 A1 * 6/2016 Bhatta F16L 59/168
 137/375

FOREIGN PATENT DOCUMENTS

CA 2075324 C 5/1998
 CA 2158083 C 8/1998
 CA 2119427 C 12/1998
 CA 2157951 C 11/2000

* cited by examiner

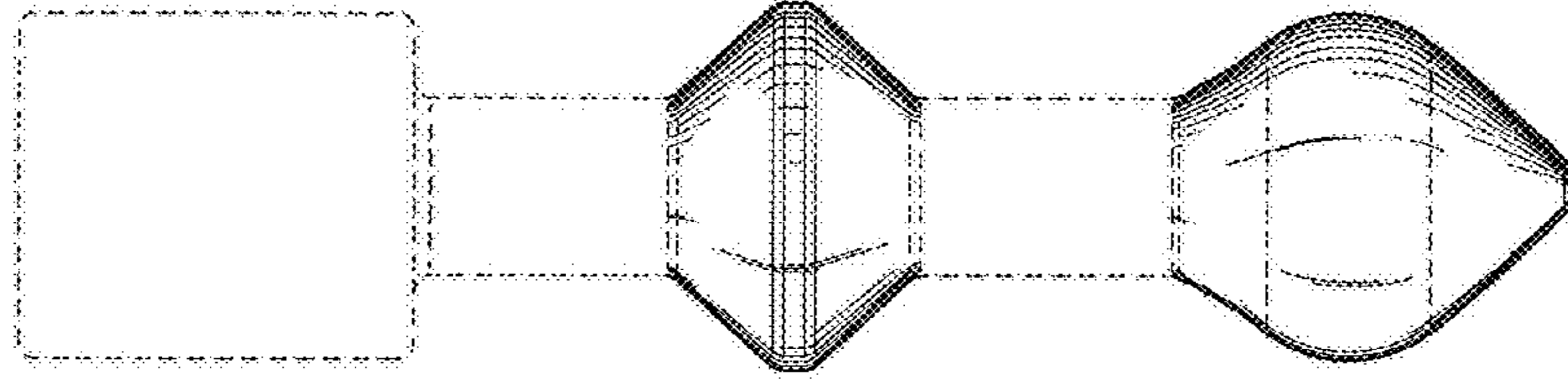


FIG. 1

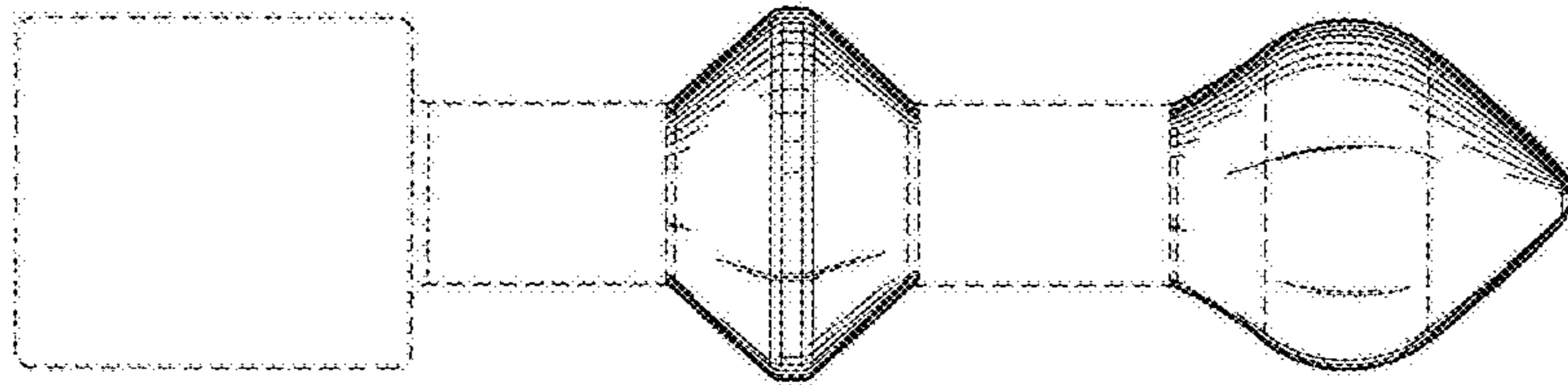


FIG. 2

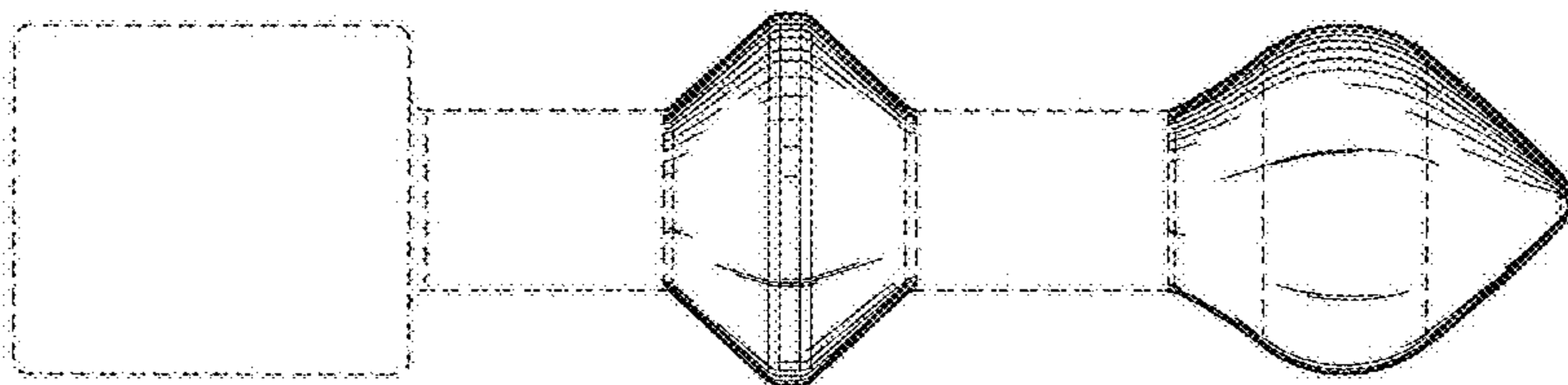


FIG. 3

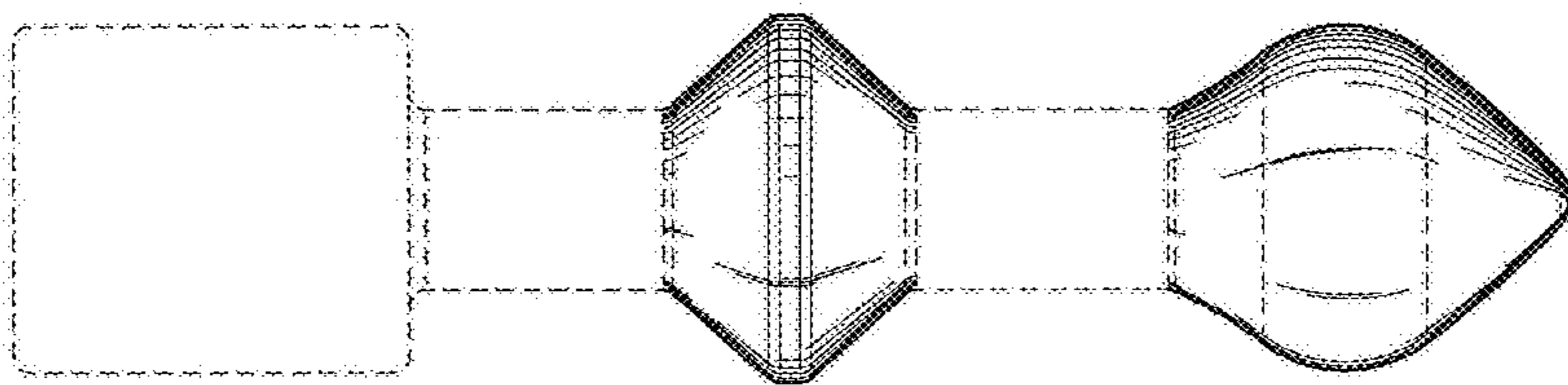


FIG. 4

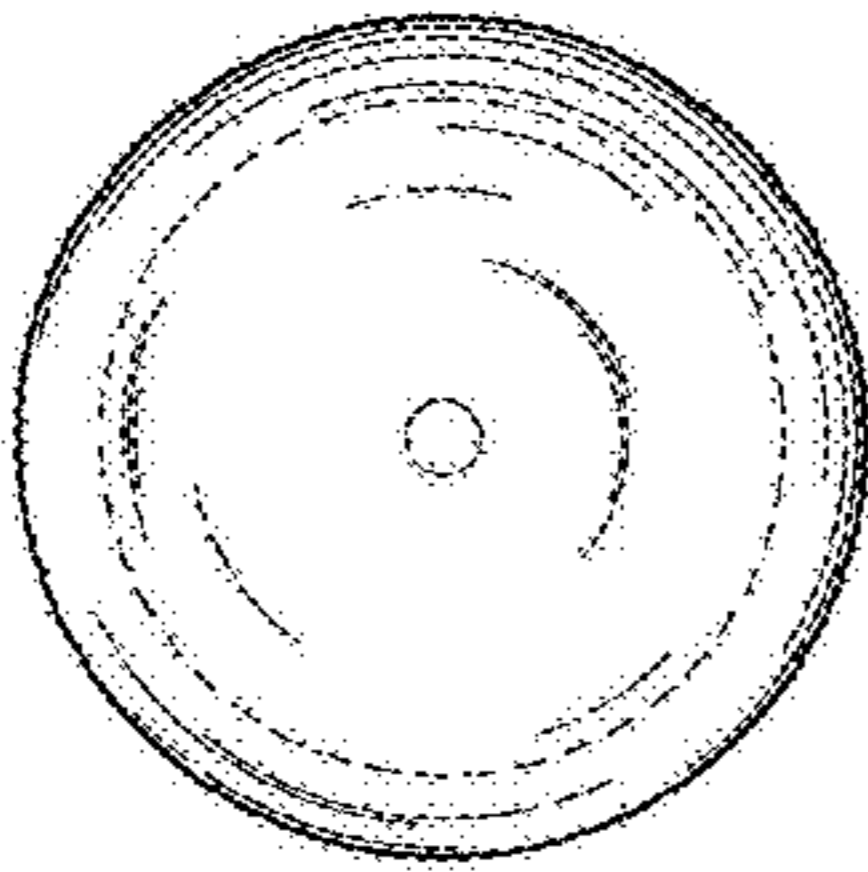


FIG. 5

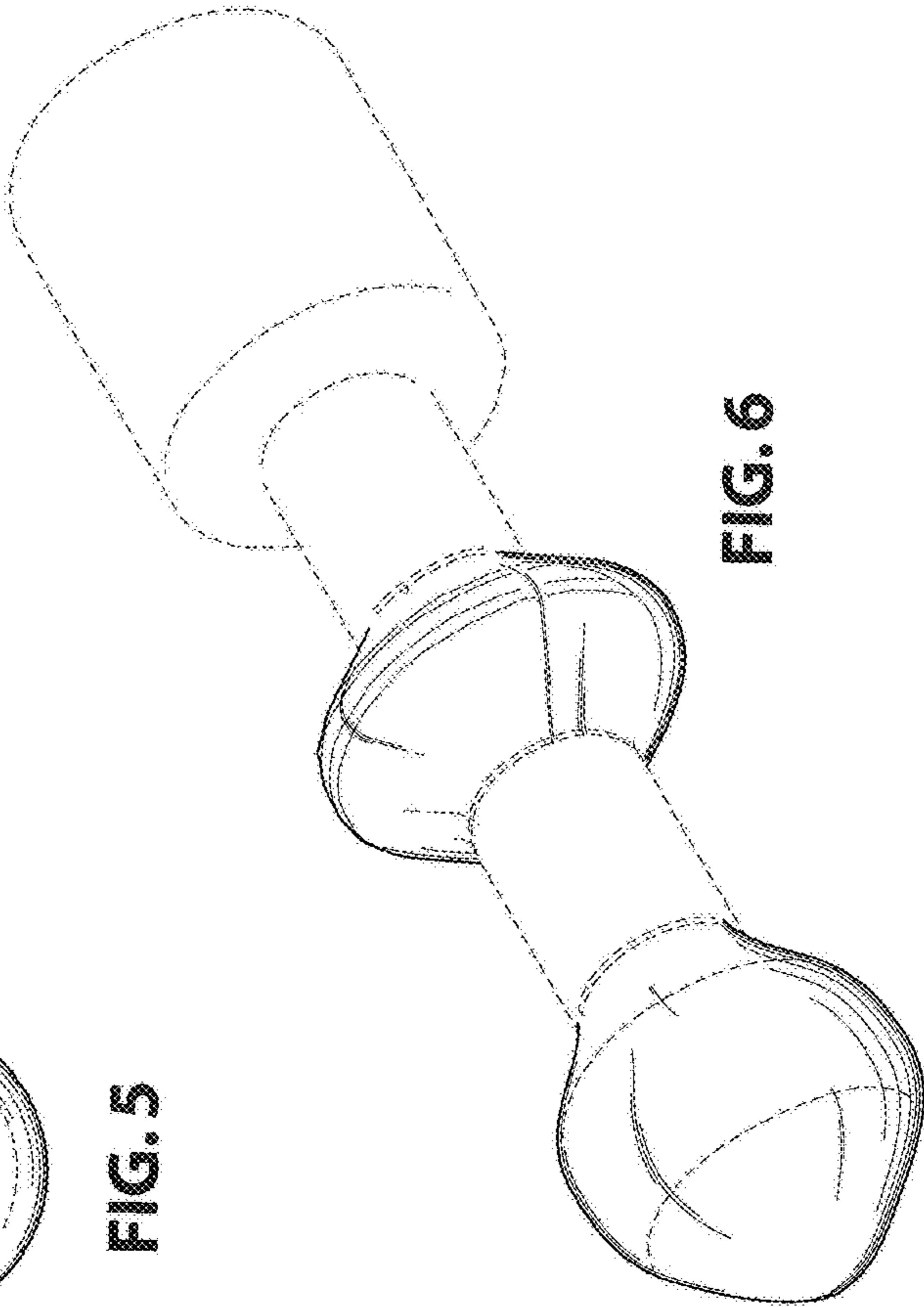


FIG. 6