



US00D807154S

(12) **United States Design Patent** (10) **Patent No.:** **US D807,154 S**
Sung (45) **Date of Patent:** **** Jan. 9, 2018**

- (54) **CONTAINER FOR COIL HOSE**
- (71) Applicant: **Ge Sun Sung**, Mission Viejo, CA (US)
- (72) Inventor: **Ge Sun Sung**, Mission Viejo, CA (US)
- (**) Term: **15 Years**
- (21) Appl. No.: **29/583,036**
- (22) Filed: **Nov. 1, 2016**
- (51) **LOC (11) Cl.** **09-06**
- (52) **U.S. Cl.**
USPC **D8/356**
- (58) **Field of Classification Search**
USPC D8/396, 394, 382, 349, 356, 354
CPC H01R 11/11; F16L 23/036; F16L 3/13
See application file for complete search history.

- D707,968 S * 7/2014 Tobaruela D3/304
- D707,969 S * 7/2014 Tobaruela D3/304
- D707,970 S * 7/2014 Tobaruela D3/304
- D707,971 S * 7/2014 Tobaruela D3/304
- D721,134 S * 1/2015 Prescott D19/90
- D739,720 S * 9/2015 Van Riper D8/394
- D753,468 S * 4/2016 Weger D8/356
- D793,209 S * 8/2017 Galpchian D8/349
- 2013/0095691 A1 * 4/2013 Blanton H01R 13/6392
439/370
- 2017/0204613 A1 * 7/2017 Harcrow, Jr. E04D 13/0767
- 2017/0214156 A1 * 7/2017 Washio H01R 11/11

* cited by examiner

Primary Examiner — Cynthia Underwood
(74) *Attorney, Agent, or Firm* — Lucern, PC; Heedong Chae

(57) **CLAIM**

The ornamental design for a container for a coil hose, as shown and described.

(56) **References Cited**

U.S. PATENT DOCUMENTS

- D192,189 S * 2/1962 McMasters D6/680.3
- D204,290 S * 4/1966 Kohn et al. D8/358
- 4,238,035 A * 12/1980 Kassanchuk A47L 19/04
211/181.1
- D371,228 S * 6/1996 Monin D30/121
- 6,109,462 A * 8/2000 Emalfarb A47F 5/01
211/119
- 6,367,373 B1 * 4/2002 Bargman A47J 37/0694
99/419
- 6,488,246 B2 * 12/2002 Song A47L 9/0009
248/175
- 6,570,092 B2 * 5/2003 Quertelet H02G 3/0443
174/68.3
- D490,691 S * 6/2004 Buss D8/356
- D549,081 S * 8/2007 Lin D8/356
- D552,971 S * 10/2007 Lin D8/356
- D601,632 S * 10/2009 Goodman D19/90
- D651,067 S * 12/2011 Johnson, III D8/354

DESCRIPTION

FIG. 1 is a front perspective view of a container for a coil hose showing my new design;
 FIG. 2 is a rear perspective view thereof;
 FIG. 3 is a front elevational view thereof;
 FIG. 4 is a rear elevational view thereof;
 FIG. 5 is a left side elevational view thereof;
 FIG. 6 is a right side elevational view thereof;
 FIG. 7 is a top plan view thereof;
 FIG. 8 is a bottom plan view thereof;
 FIG. 9 is another front perspective view thereof; and,
 FIG. 10 is a front perspective view of the container shown in use with the coil hose.
 The broken lines represent environment of use that forms no part of the claim.

1 Claim, 10 Drawing Sheets

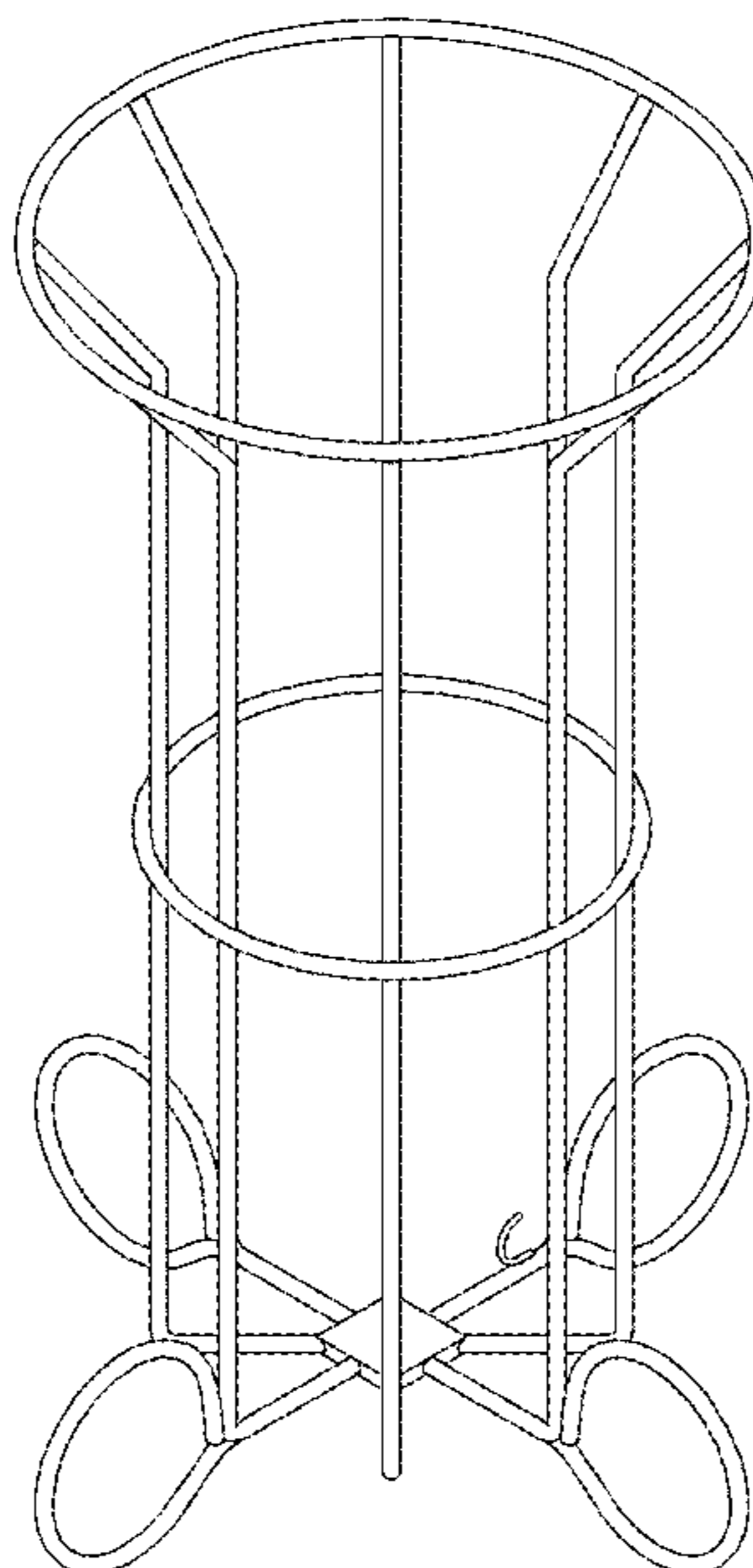


FIG. 1

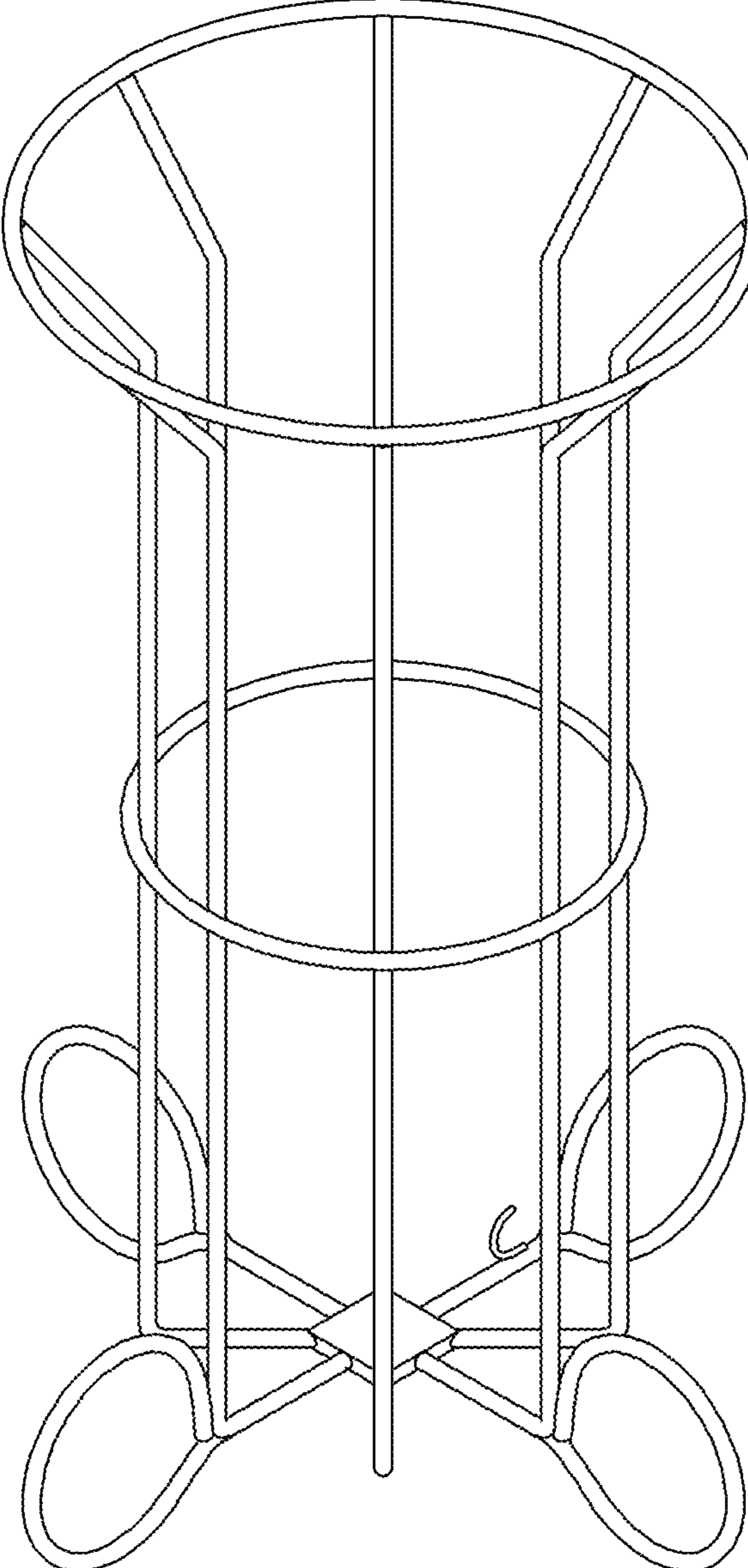


FIG. 2

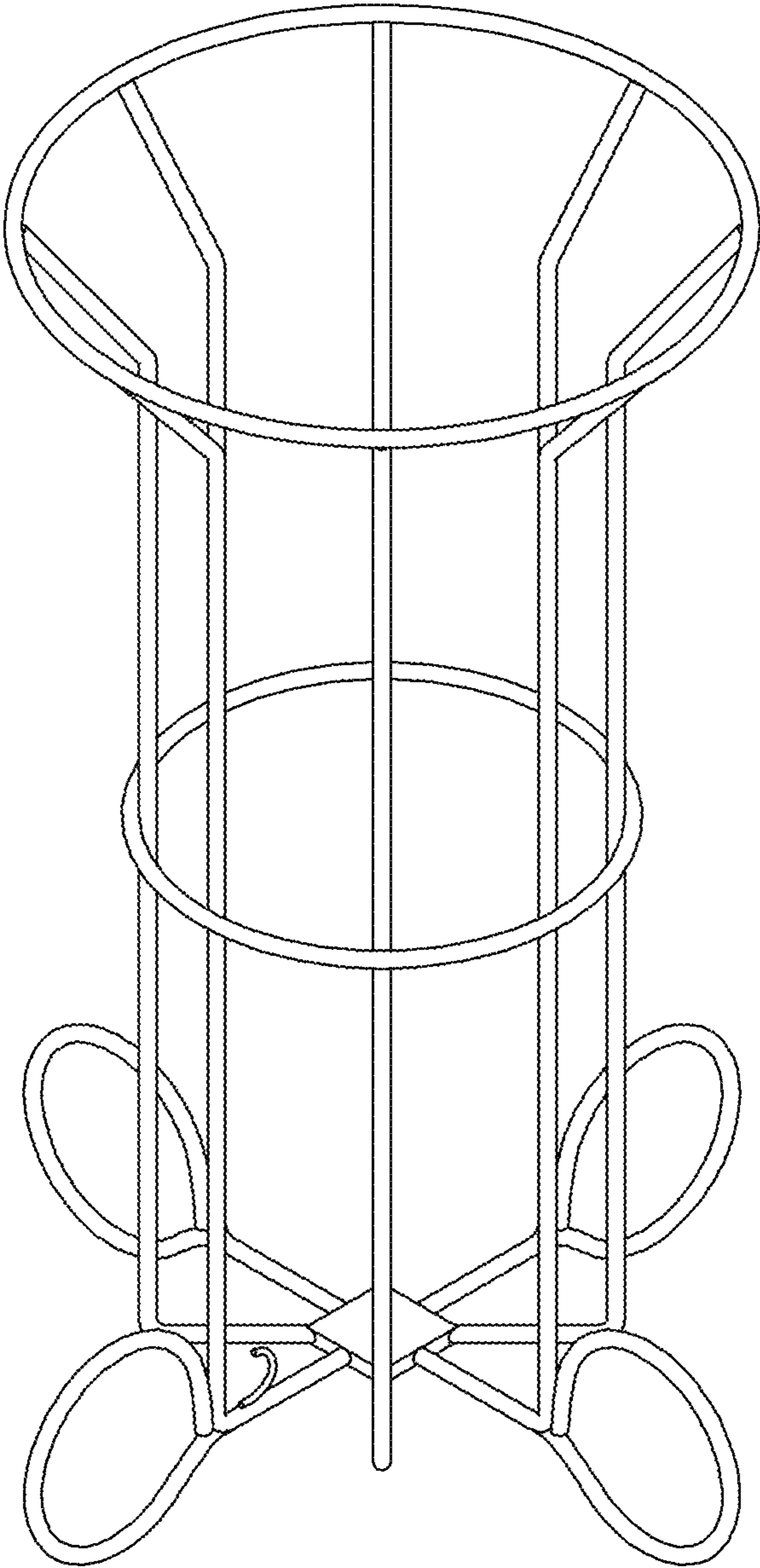


FIG. 3

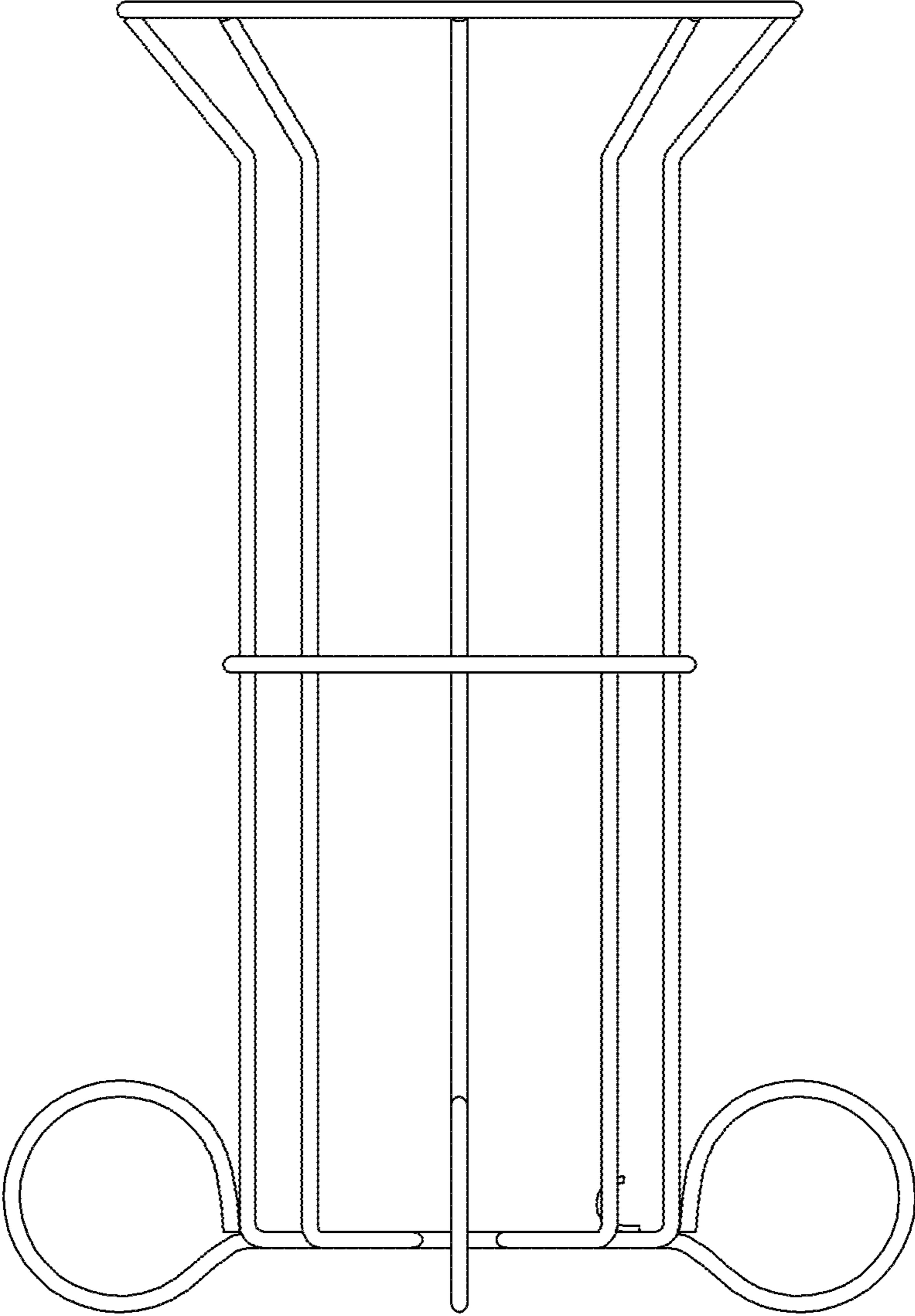


FIG. 4

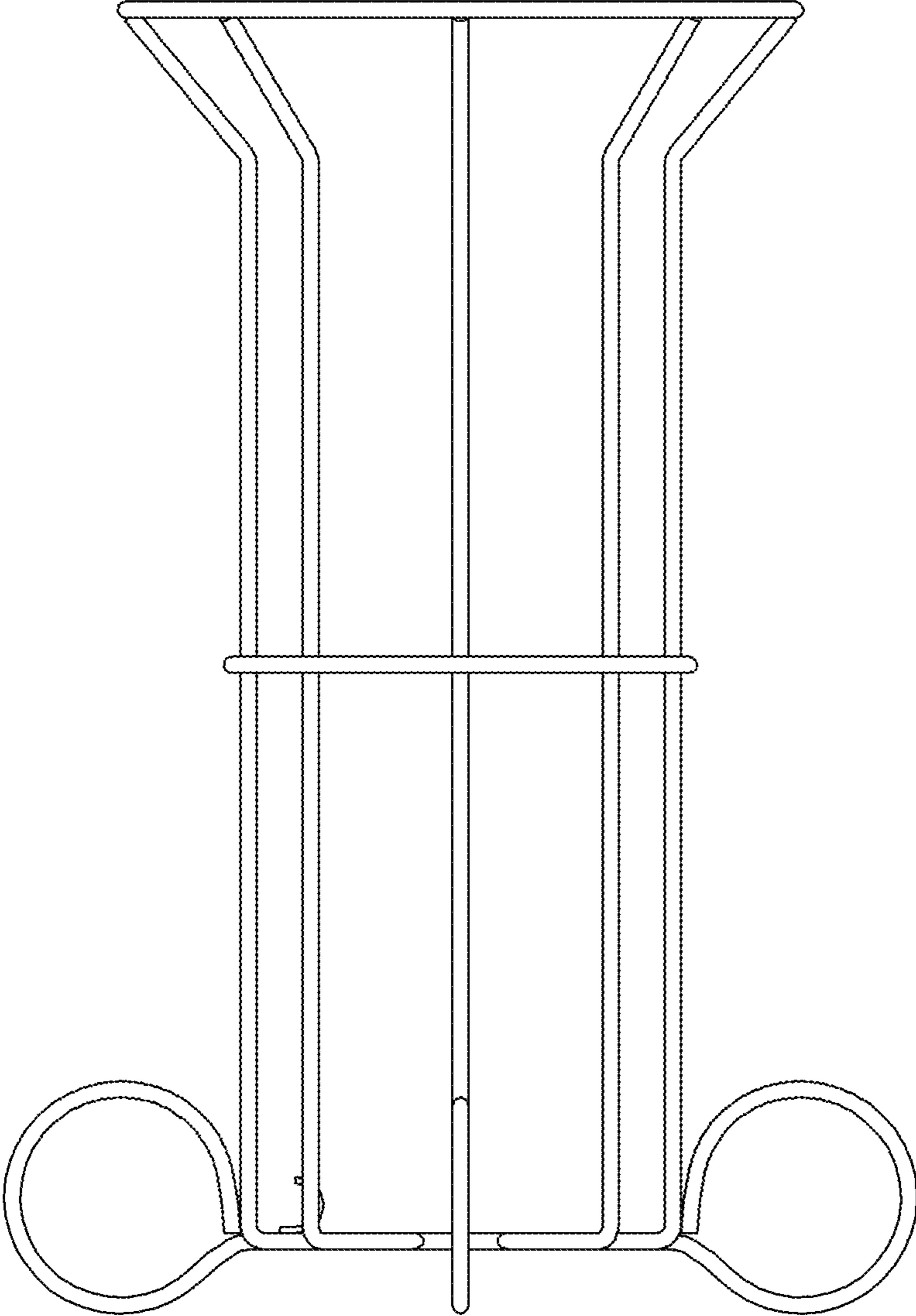


FIG. 5

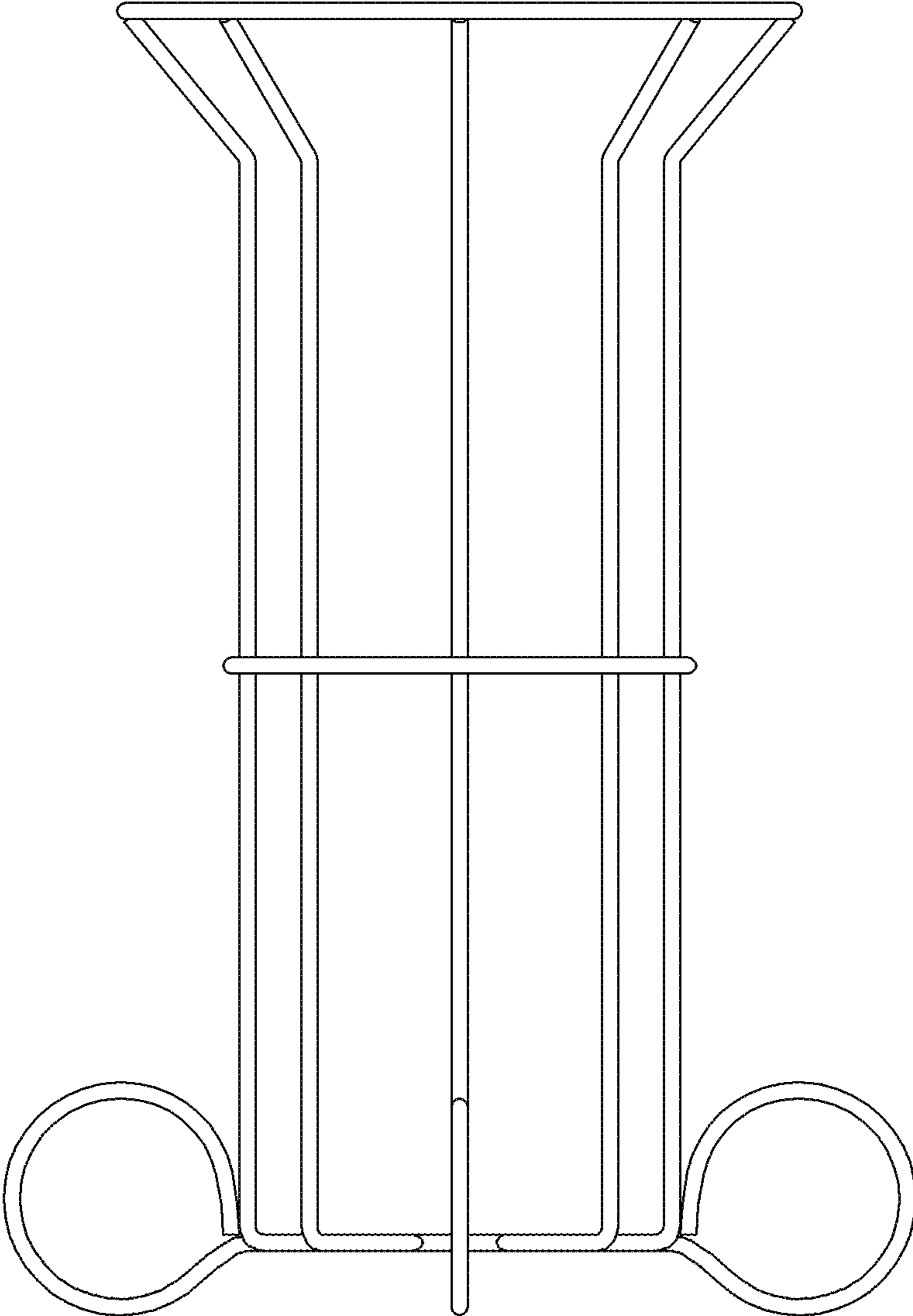


FIG. 6

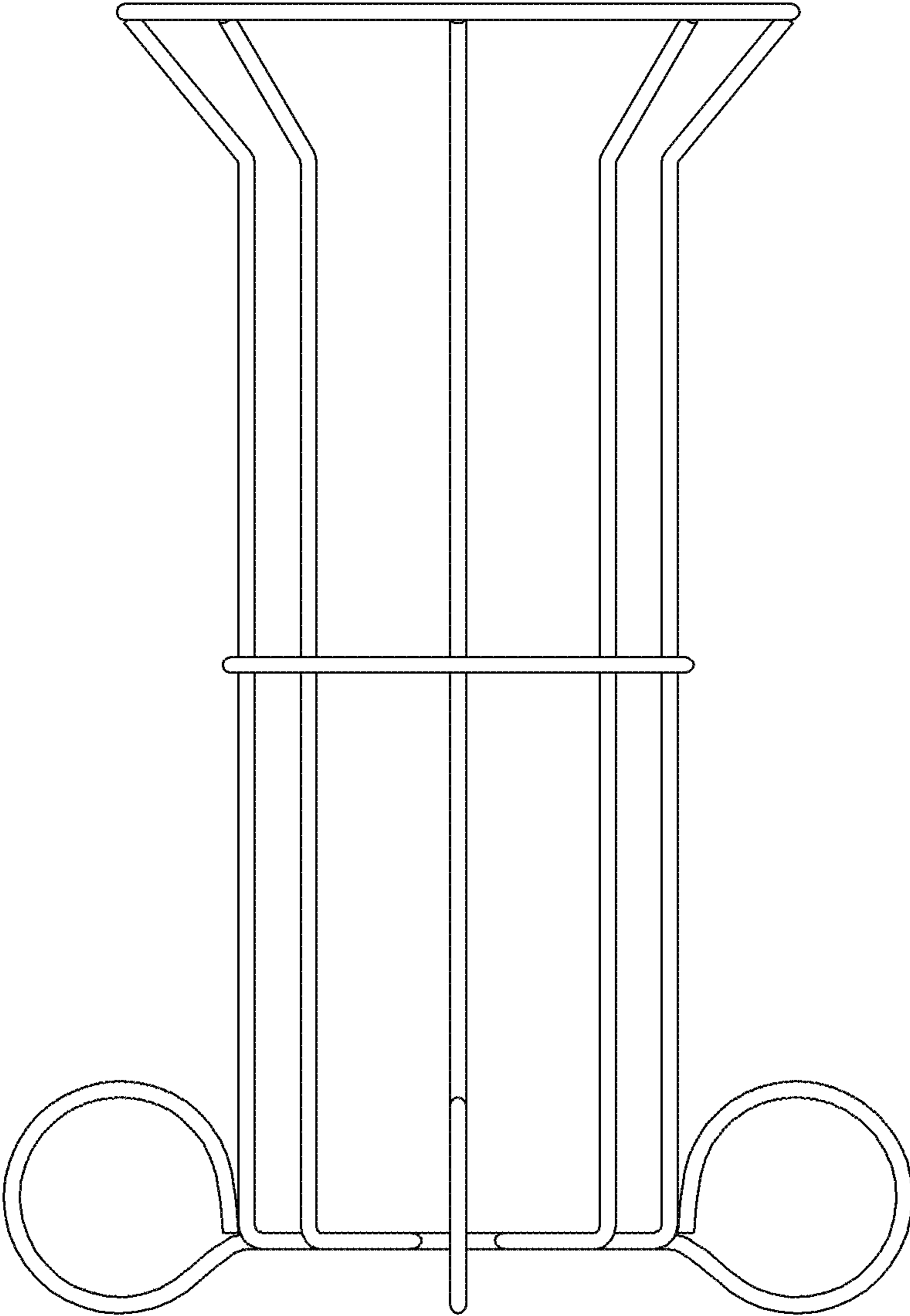


FIG. 7

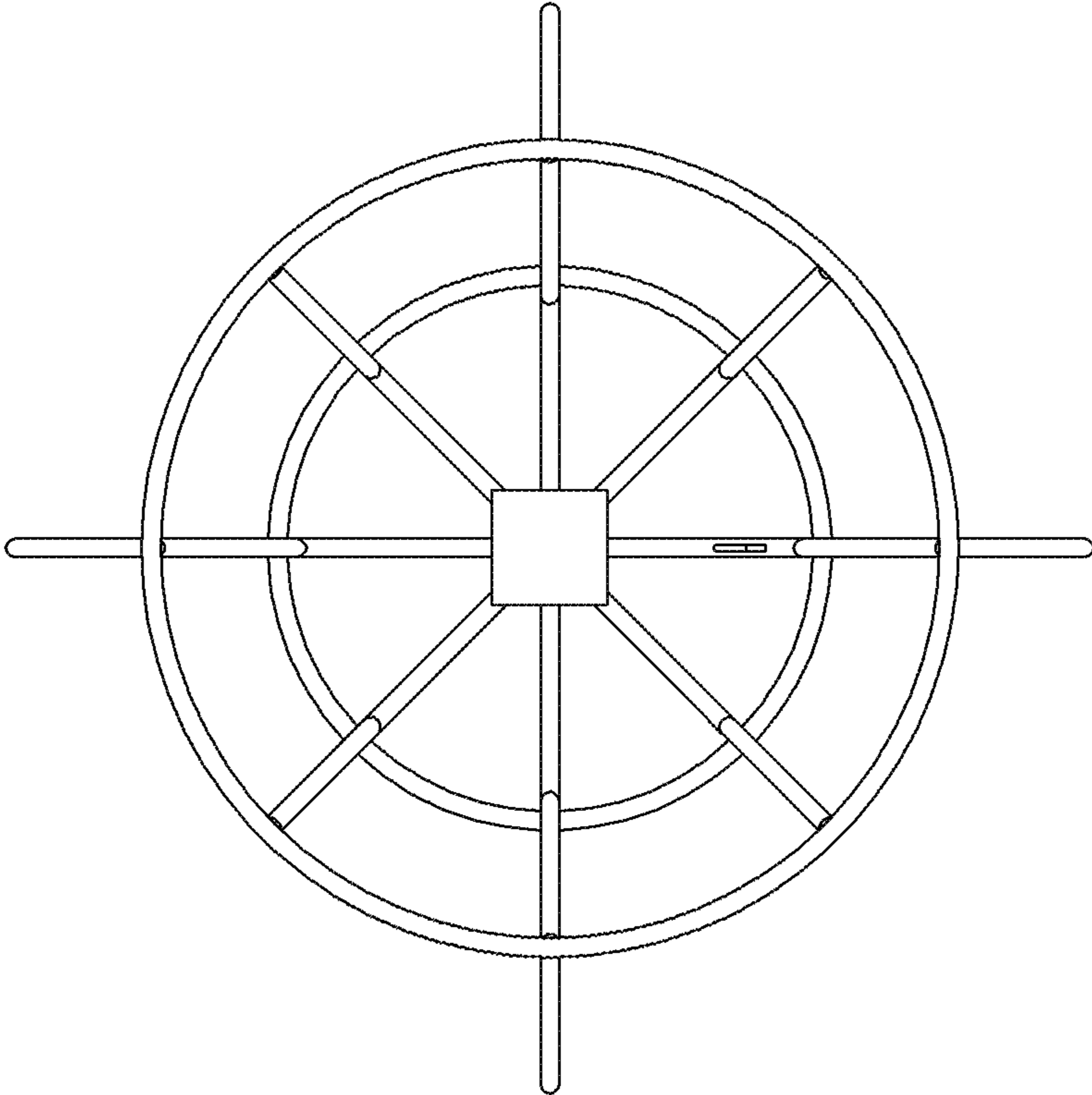


FIG. 8

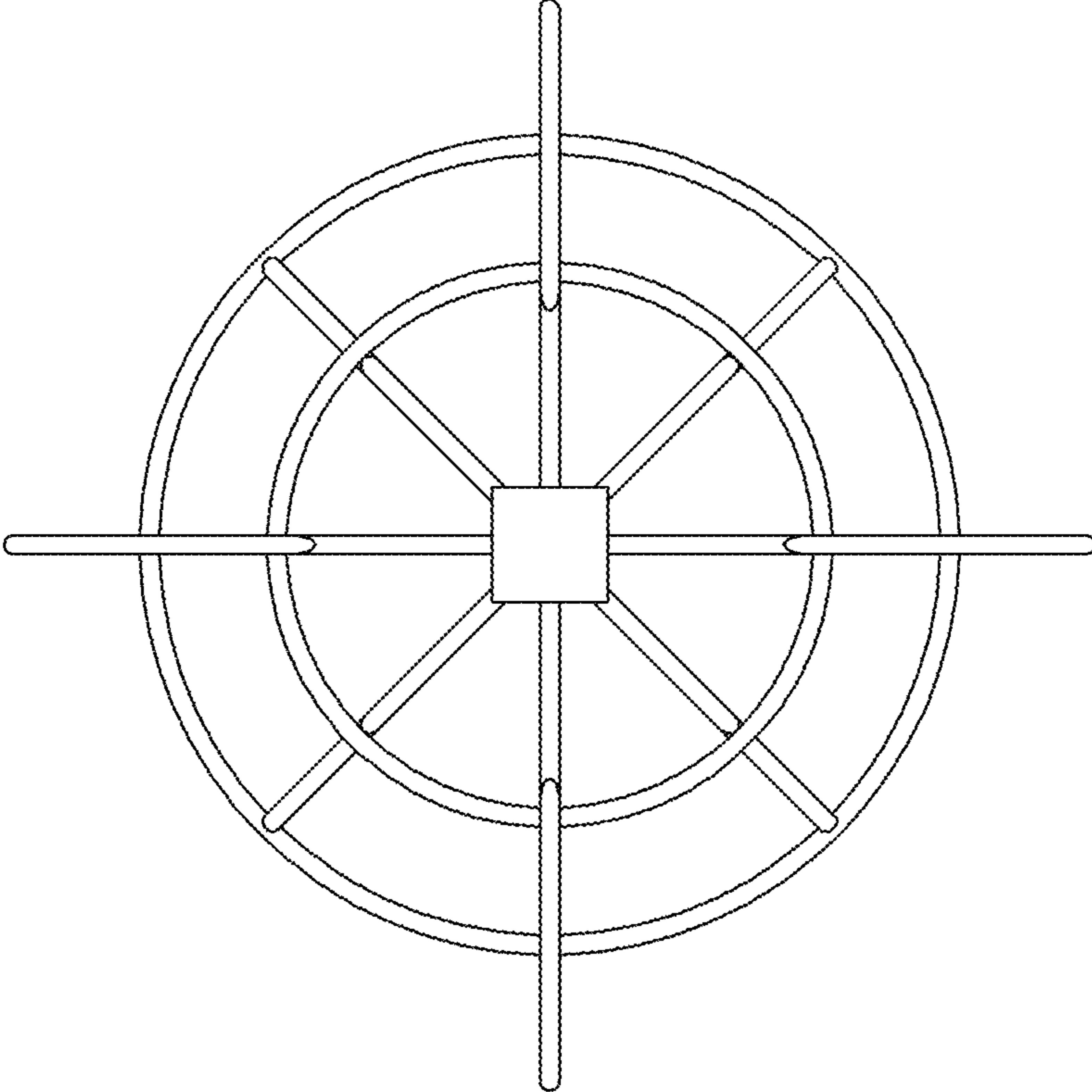


FIG. 9

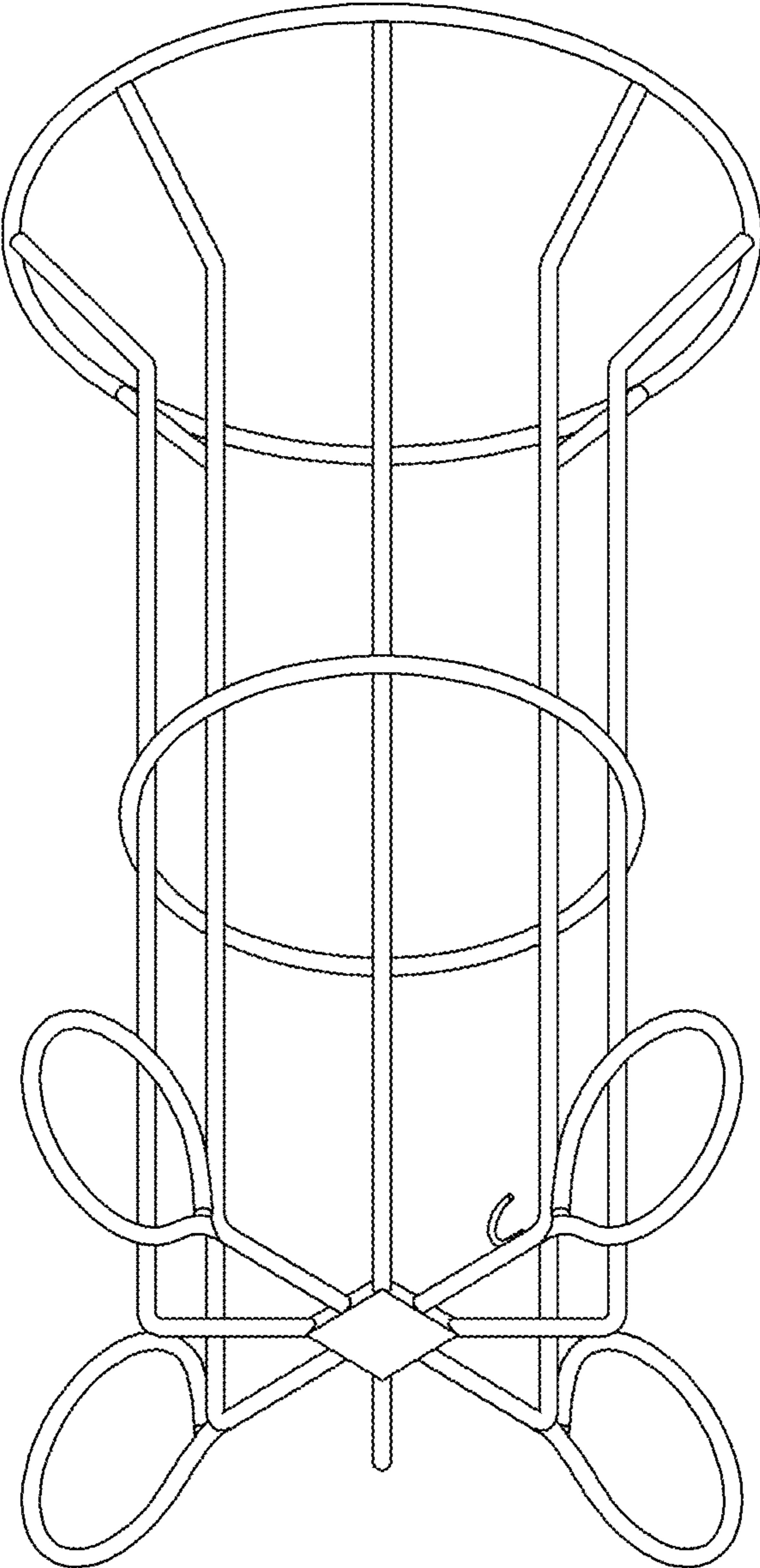


FIG. 10

