



US00D807152S

(12) **United States Design Patent**
Hansen

(10) **Patent No.:** **US D807,152 S**
(45) **Date of Patent:** **** Jan. 9, 2018**

(54) **SUPPORT BRACKET**

(71) Applicant: **JHRW Pty Ltd ATF JHRW Family Trust**, South Bank (AU)

(72) Inventor: **John Gert Hansen**, Hallam (AU)

(73) Assignee: **JHRW Pty Ltd ATF JHRW Family Trust**, South Bank (AU)

(**) Term: **15 Years**

(21) Appl. No.: **29/556,254**

(22) Filed: **Feb. 29, 2016**

(30) **Foreign Application Priority Data**

Sep. 1, 2015 (AU) 201514614

(51) **LOC (11) Cl.** **08-05**

(52) **U.S. Cl.**
USPC **D8/354**

(58) **Field of Classification Search**
USPC D8/349, 354, 382; D14/239
CPC F16M 13/02; F16M 13/022; F16M 11/10;
F16M 11/046; Y10T 29/49826
See application file for complete search history.

(56) **References Cited**

U.S. PATENT DOCUMENTS

D31,665 S *	10/1899	McKay	248/37.6
D256,258 S *	8/1980	Varrin	D14/254
D264,423 S *	5/1982	Naylor	D8/1
D634,254 S *	3/2011	Marlow	D12/223
D656,391 S *	3/2012	McClain	D8/354
D729,043 S *	5/2015	Poppell	D8/354
D760,066 S *	6/2016	Krenek	D8/354
2007/0194202 A1 *	8/2007	Lamotta	A47G 1/22 248/475.1

FOREIGN PATENT DOCUMENTS

AU	357007	8/2014
AU	357104	8/2014
AU	364537	10/2015

OTHER PUBLICATIONS

The inventor commenced commercialized use of the claimed invention corresponding to the "Support Bracket" on or after Oct. 8, 2015 in Australia.

* cited by examiner

Primary Examiner — George D. Kirschbaum

Assistant Examiner — Maria J Edwards

(74) *Attorney, Agent, or Firm* — Walter | Haverfield LLP; D. Peter Hochberg; Sean F. Mellino

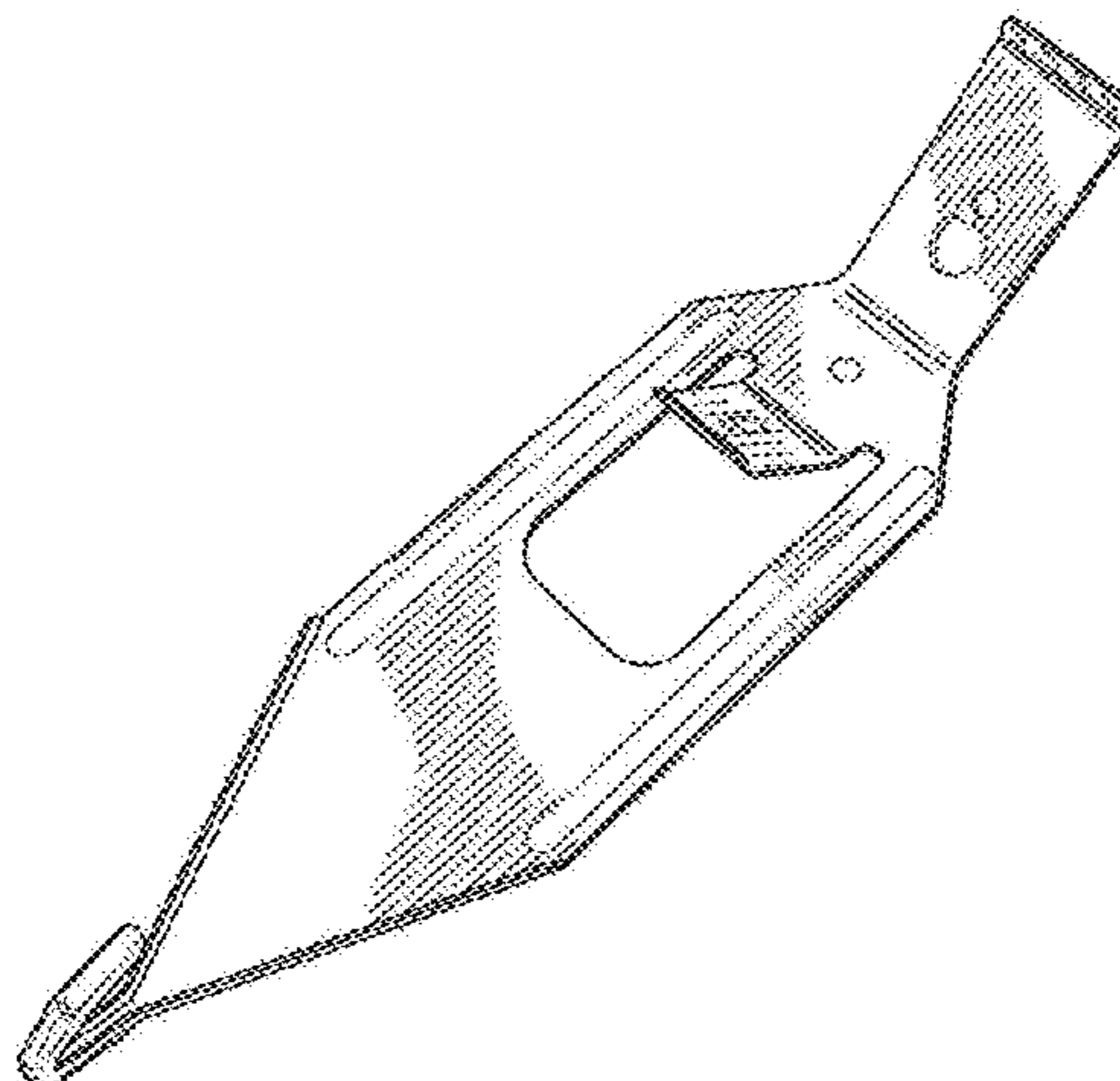
(57) **CLAIM**

The ornamental design for a support bracket, as shown and described.

DESCRIPTION

FIG. 1 is a front perspective view of the support bracket according to the present invention;
FIG. 2 is a rear perspective view of the support bracket according to the present invention as shown in FIG. 1;
FIG. 3 is a rear elevational view of the support bracket according to the present invention as shown in FIG. 1;
FIG. 4 is a front elevational view of the support bracket according to the present invention as shown in FIG. 1;
FIG. 5 is a right side view of the support bracket according to the present invention as shown in FIG. 1;
FIG. 6 is a left side view of the support bracket according to the present invention as shown in FIG. 1;
FIG. 7 is a top plan view of the support bracket according to the present invention as shown in FIG. 1; and,
FIG. 8 is a bottom plan view of the support bracket according to the present invention as shown in FIG. 1.
The broken lines illustrate portions of the article and form no part of the claimed design.

1 Claim, 7 Drawing Sheets



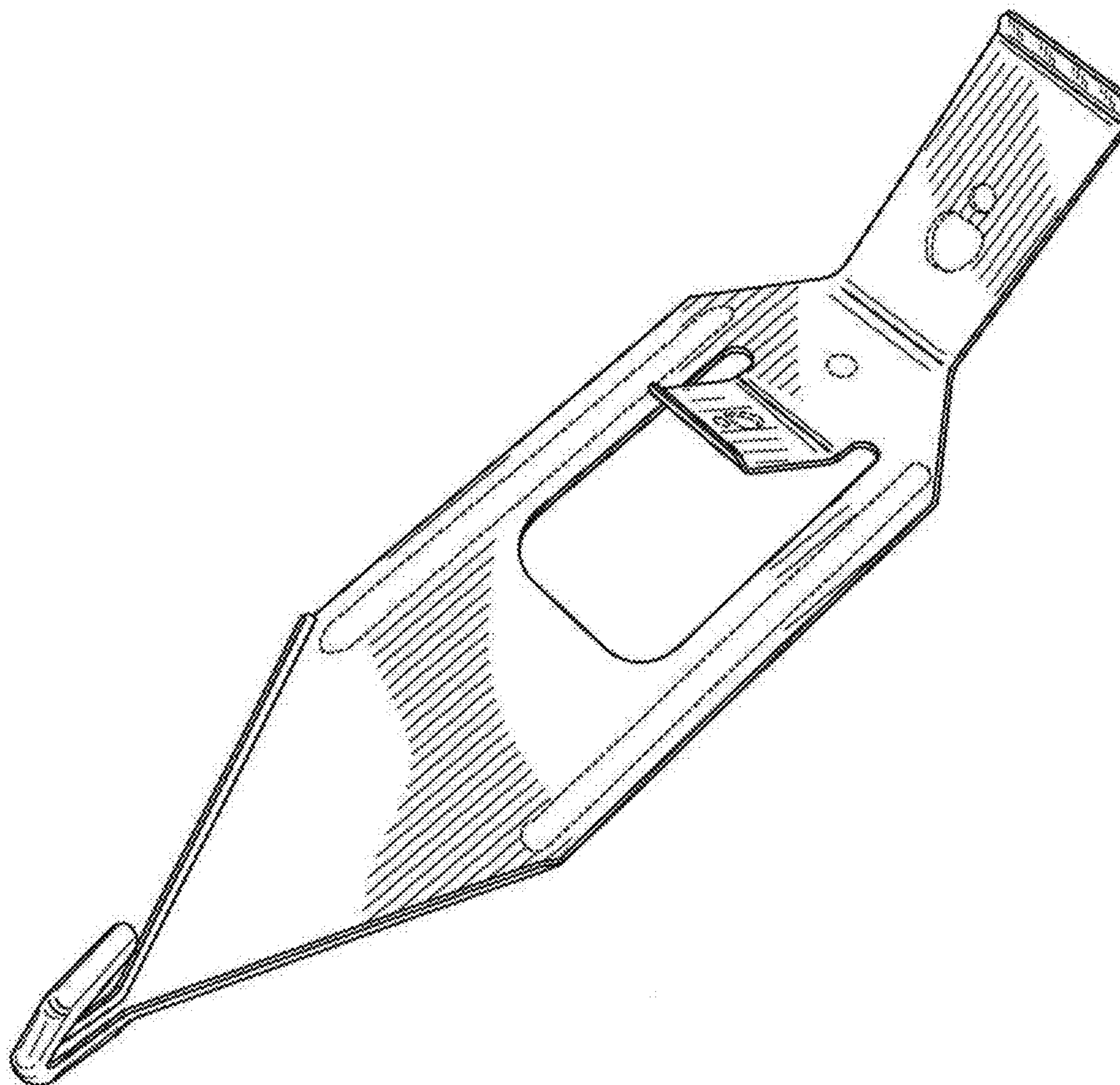


FIGURE 1

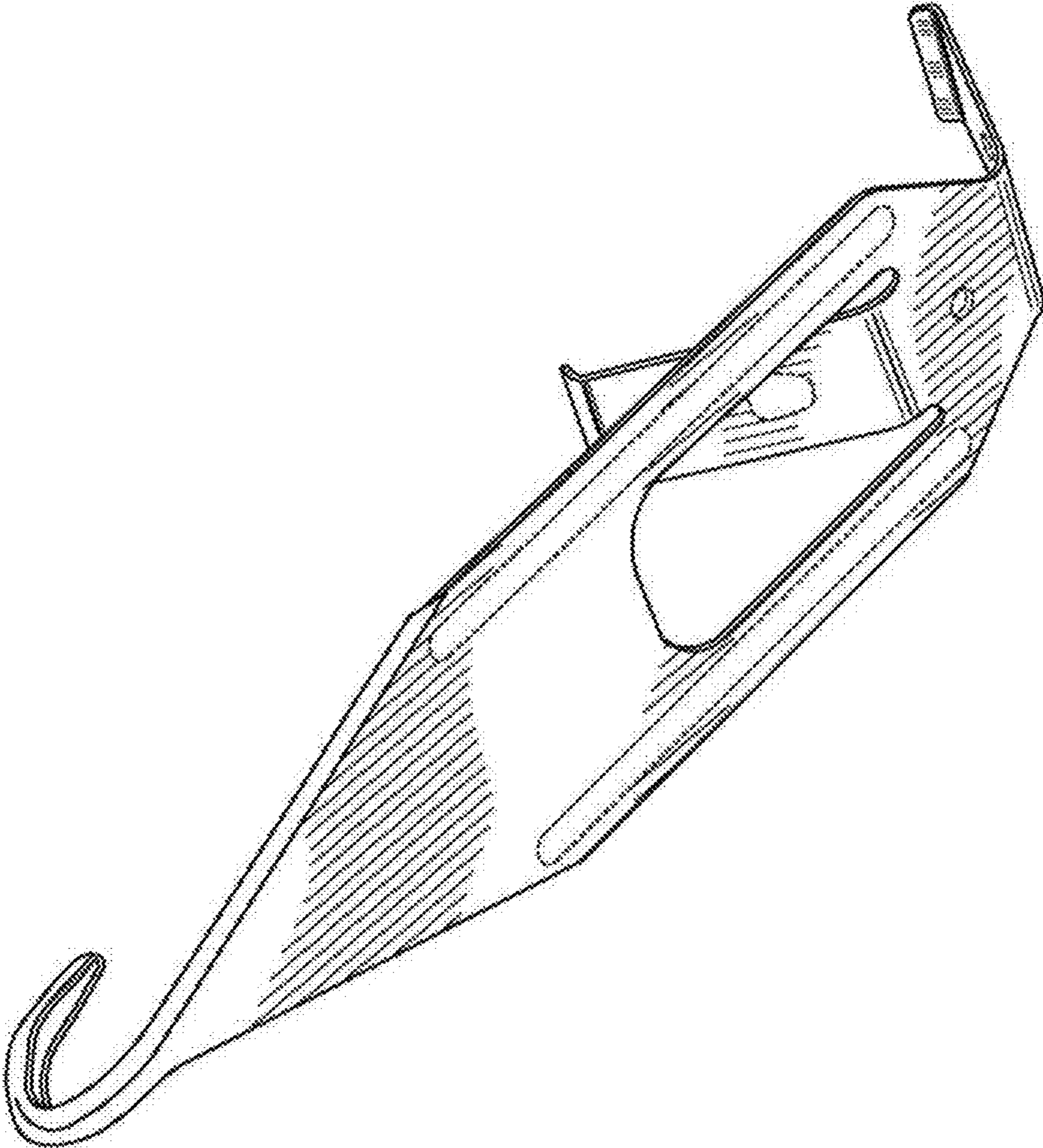


FIGURE 2

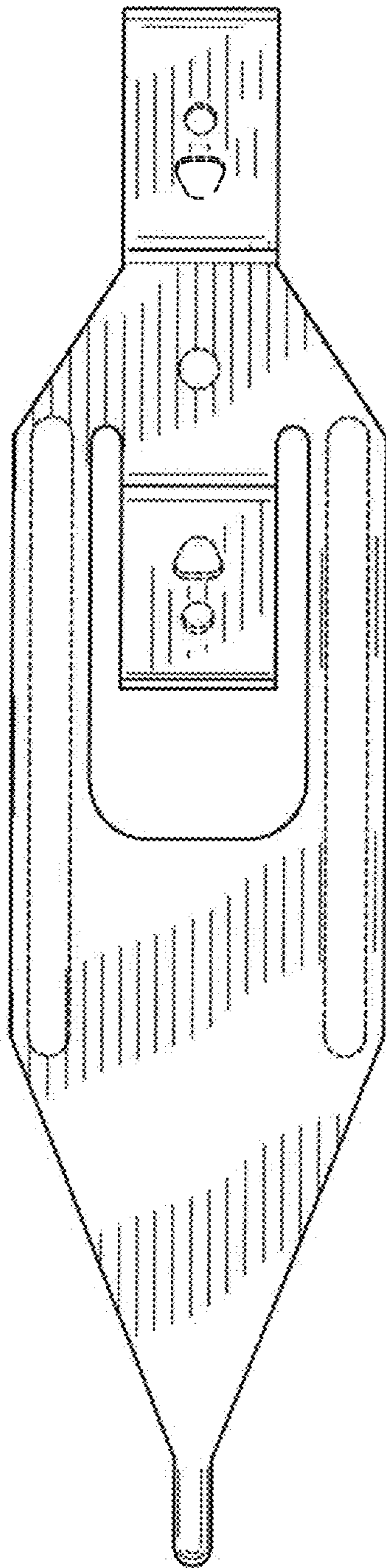


FIGURE 3

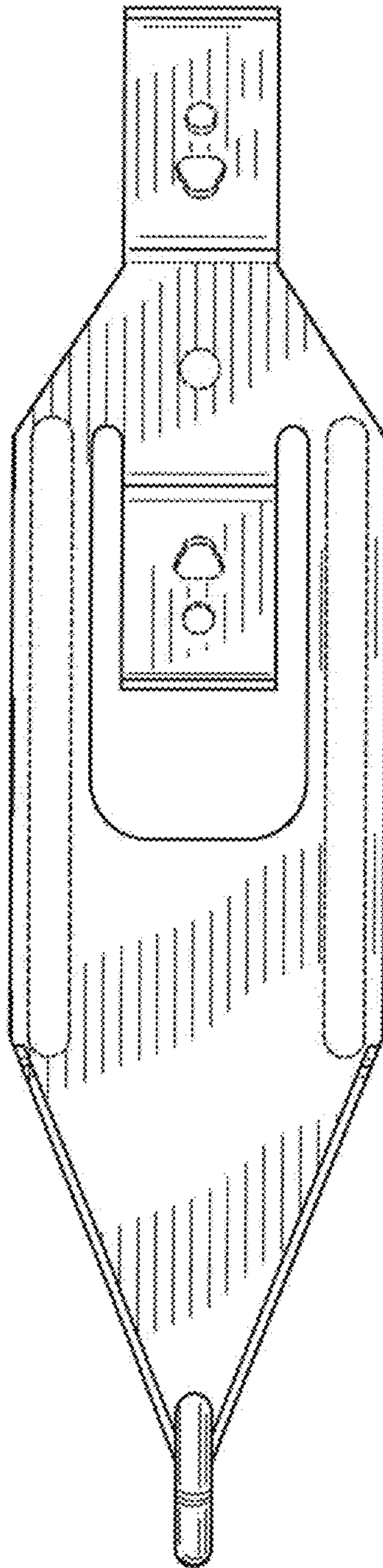


FIGURE 4

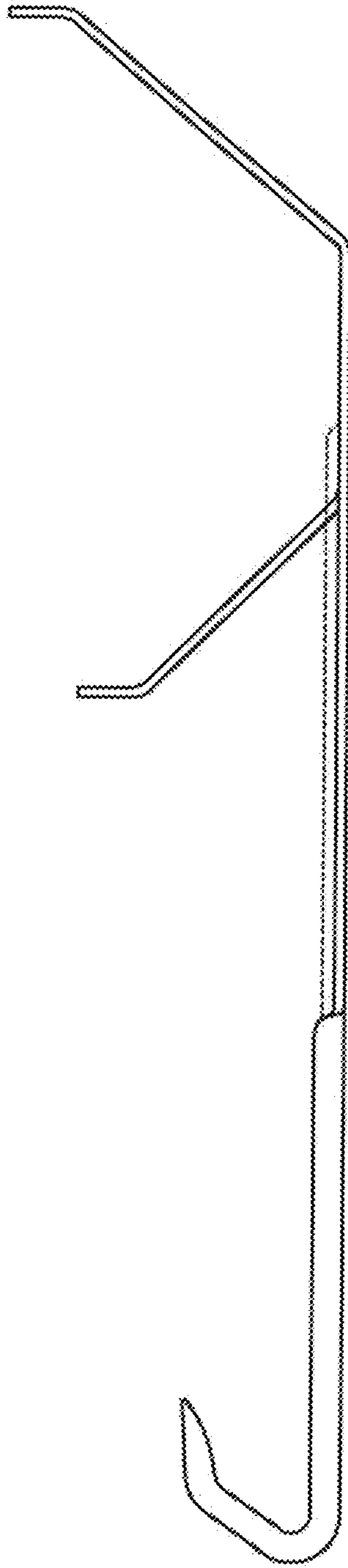


FIGURE 5

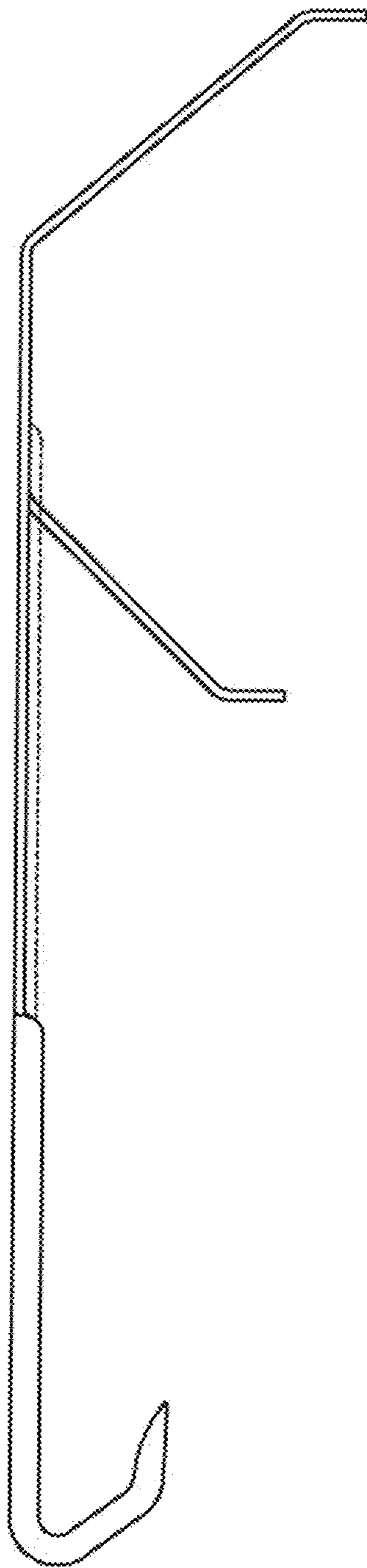


FIGURE 6

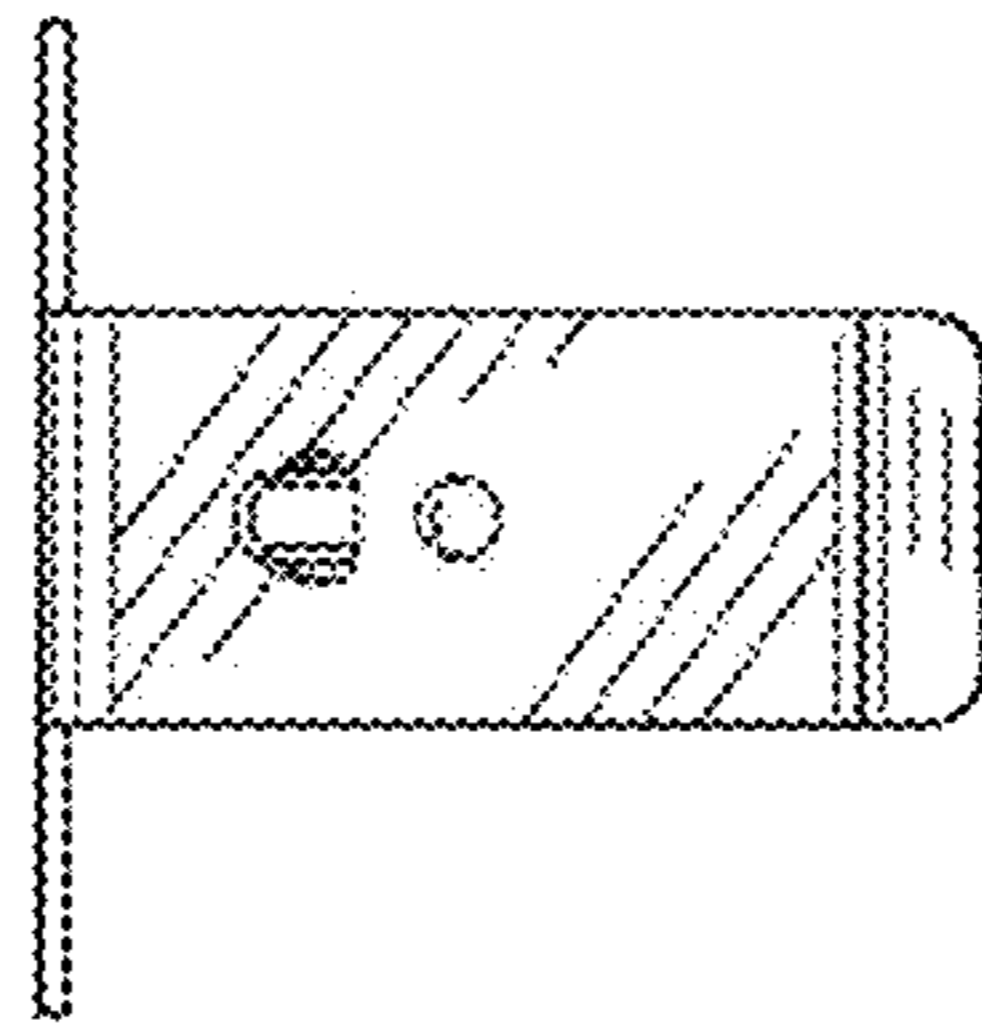


FIGURE 7

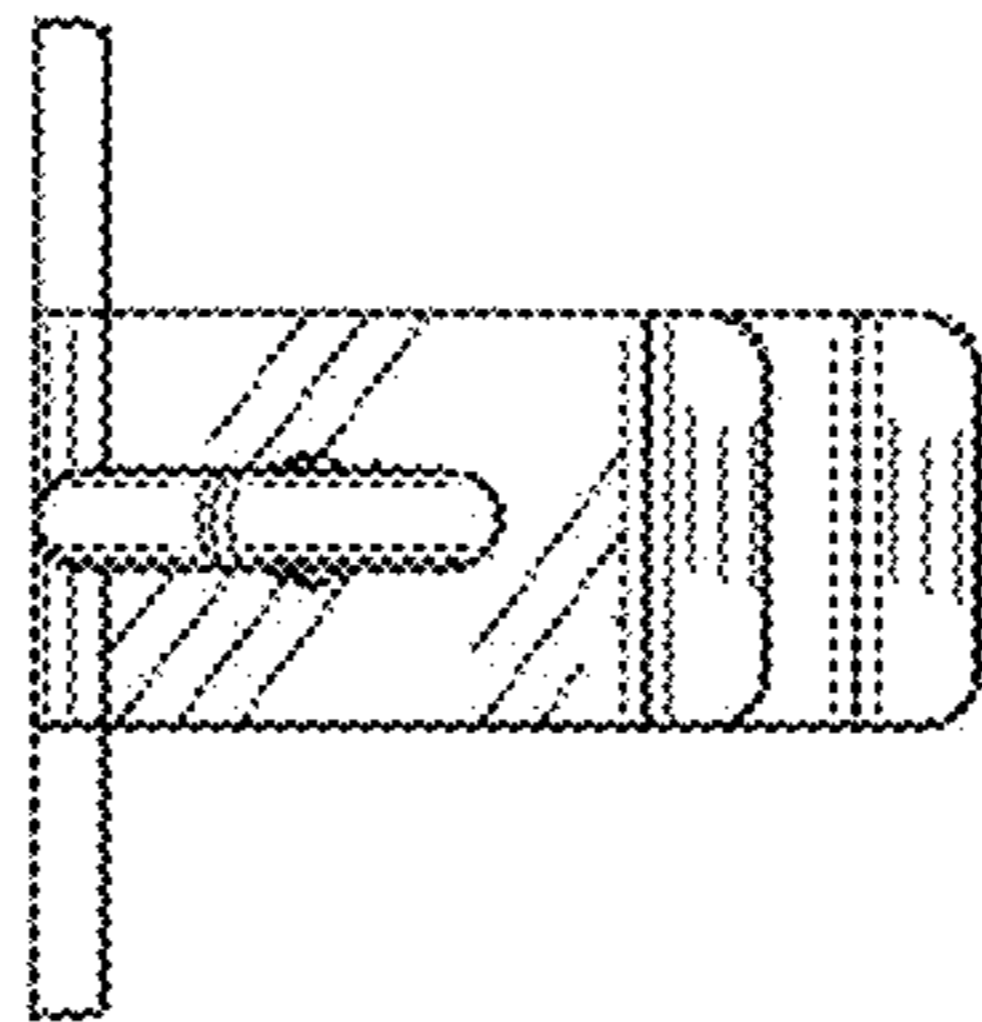


FIGURE 8