



US00D807150S

(12) **United States Design Patent**
Kuu et al.

(10) **Patent No.:** **US D807,150 S**
(45) **Date of Patent:** **** Jan. 9, 2018**

- (54) **SMART ELECTRONIC PADLOCK**
- (71) Applicant: **Digipas Technologies, Inc.**, Irvine, CA (US)
- (72) Inventors: **Bi Yong Kuu**, Singapore (SG); **Wai Kin Koh**, Singapore (SG); **Jim Hui Hong Li**, Irvine, CA (US)
- (73) Assignee: **Digipas Technologies, Inc.**, Irvine, CA (US)
- (**) Term: **15 Years**
- (21) Appl. No.: **29/584,043**
- (22) Filed: **Nov. 10, 2016**
- (51) **LOC (11) Cl.** **08-07**
- (52) **U.S. Cl.**
USPC **D8/334**
- (58) **Field of Classification Search**
USPC D8/300–302, 350, 330, 331, 343, 346, D8/334; 70/14, 158, 160, 452, 448, 466; 292/348, 350, 357; D9/702, 720; 190/100, 101
CPC E05B 1/0007; E05B 9/00; E05B 17/00; A45C 5/00; A45C 13/00; A45C 13/002
See application file for complete search history.

- D638,279 S * 5/2011 Plato D8/334
- 8,256,250 B2 * 9/2012 Yu E05B 35/105 70/20
- 8,353,184 B2 * 1/2013 Ling E05B 35/105 70/21
- D721,261 S * 1/2015 Yong D8/334
- D722,485 S * 2/2015 Yong D8/334
- D759,460 S * 6/2016 Thomson D8/334
- D781,131 S * 3/2017 Nguyen D8/334
- D790,952 S * 7/2017 Nguyen D8/334

* cited by examiner

Primary Examiner — Prabhakar Deshmukh

(74) *Attorney, Agent, or Firm* — Gordon & Rees, LLP

(57) **CLAIM**

The ornamental design for smart electronic padlock, as shown and described.

DESCRIPTION

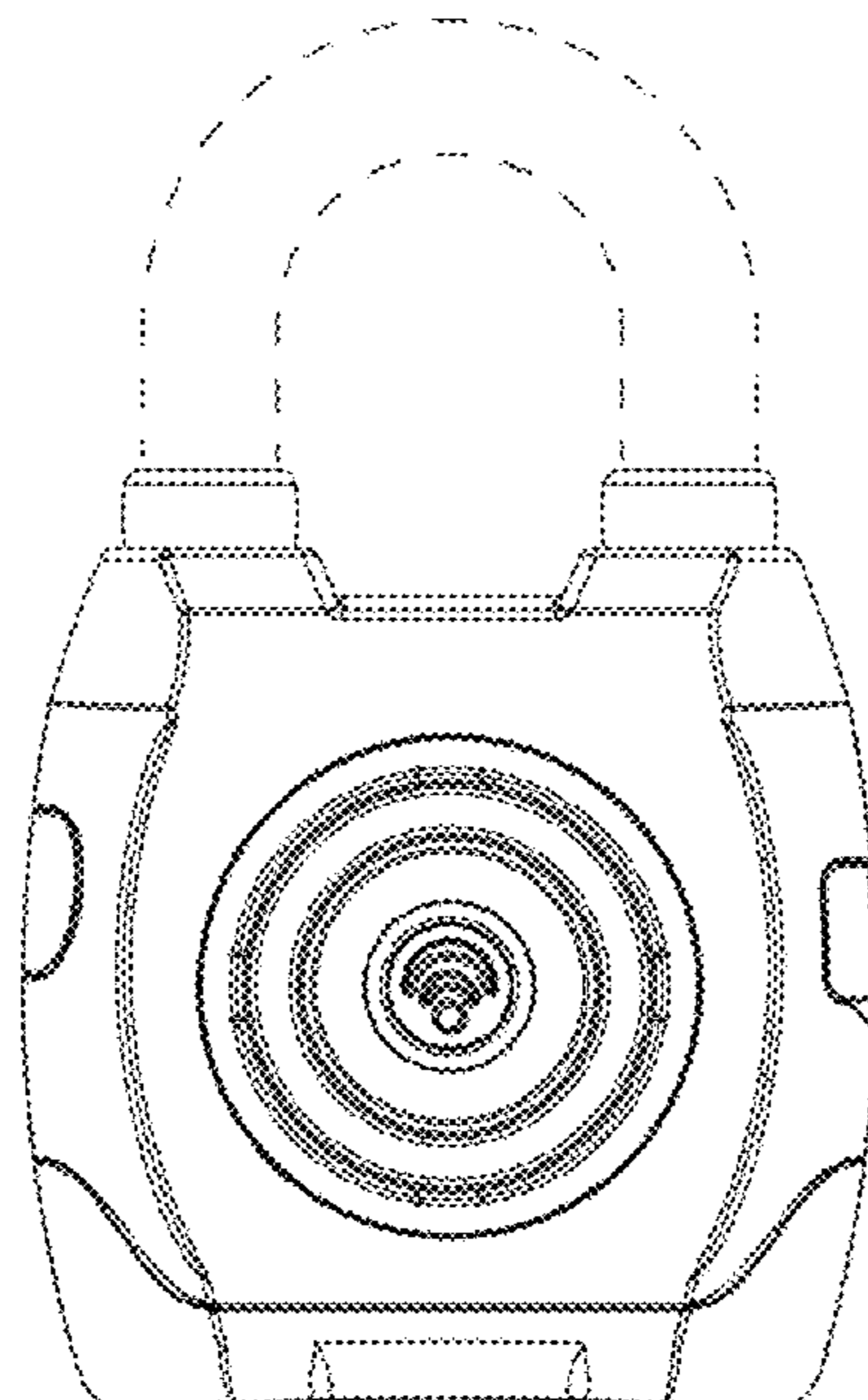
FIG. 1 is a front view of the smart electronic padlock according to the new design;
 FIG. 2 is a right view of the smart electronic padlock;
 FIG. 3 is a back view of the smart electronic padlock;
 FIG. 4 is a left side view of the smart electronic padlock;
 FIG. 5 is a top view of the smart electronic padlock;
 FIG. 6 is a bottom view of the smart electronic padlock;
 FIG. 7 is an elevated front and right perspective view of the smart electronic padlock;
 FIG. 8 is an elevated back and right perspective view of the smart electronic padlock;
 FIG. 9 is an elevated front and left perspective view of the smart electronic padlock; and,
 FIG. 10 is an elevated back and left perspective view of the smart electronic padlock.
 The broken lines in the Figures show portions of the smart electronic padlock that form no part of the claimed design.

1 Claim, 5 Drawing Sheets

(56) **References Cited**

U.S. PATENT DOCUMENTS

- 6,539,761 B2 * 4/2003 Yang E05B 37/0034 70/21
- 6,718,803 B2 * 4/2004 Knoll E05B 37/00 70/26
- D557,107 S * 12/2007 Van Handel D8/334
- D594,731 S * 6/2009 Plato D8/334
- D629,280 S * 12/2010 Plato D8/334



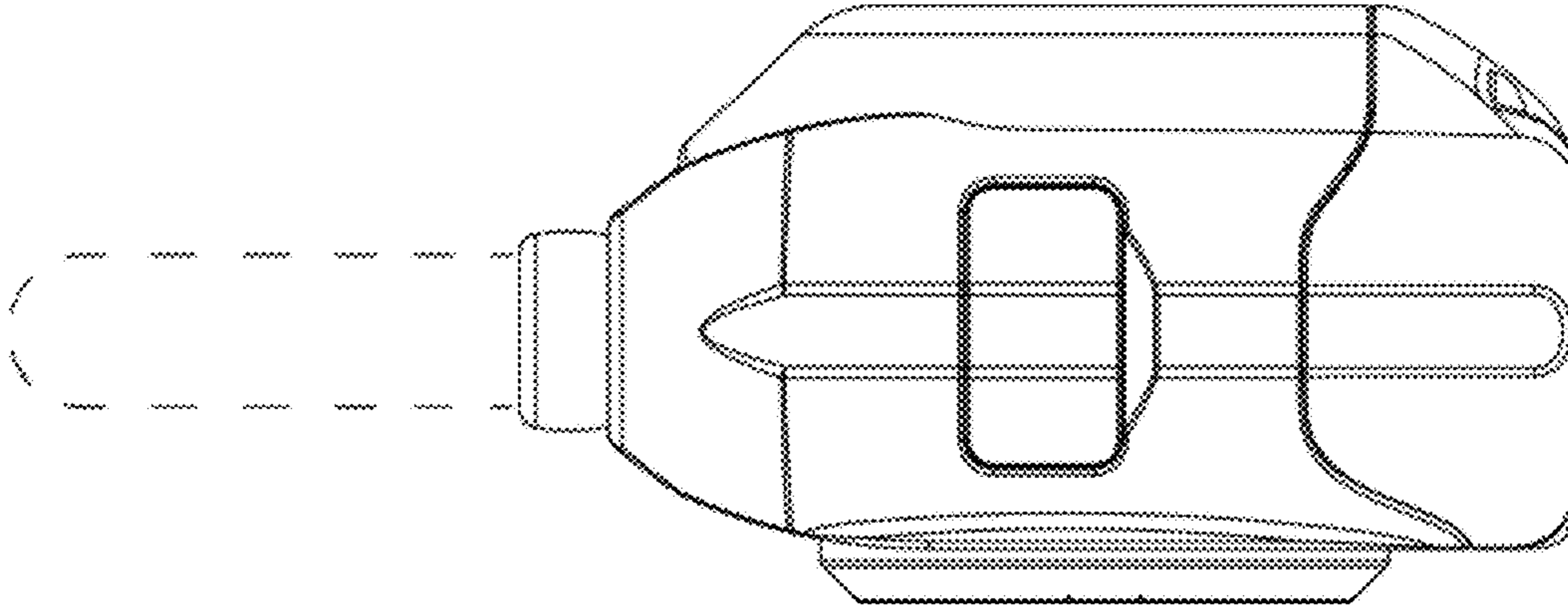


FIG. 2

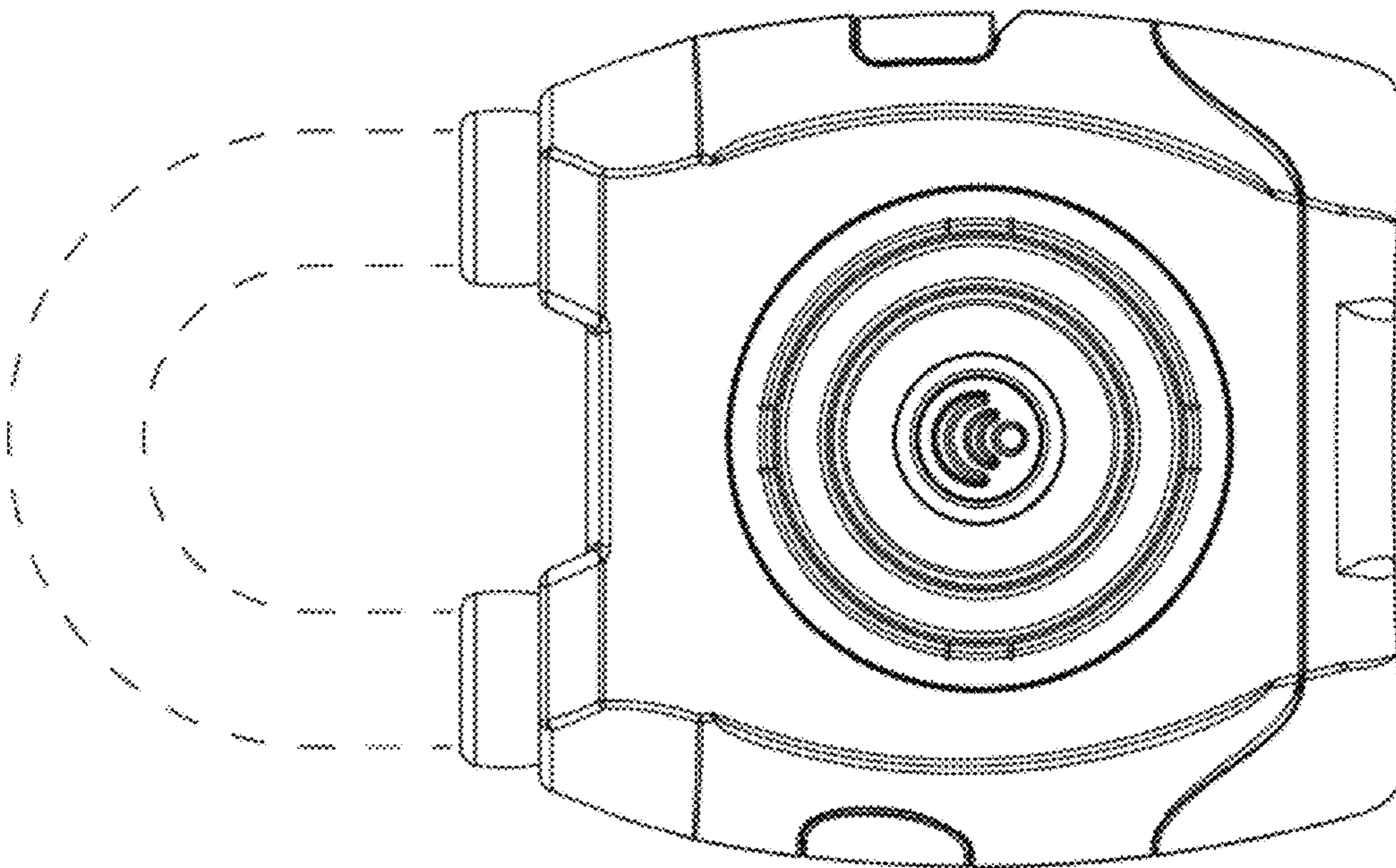


FIG. 1

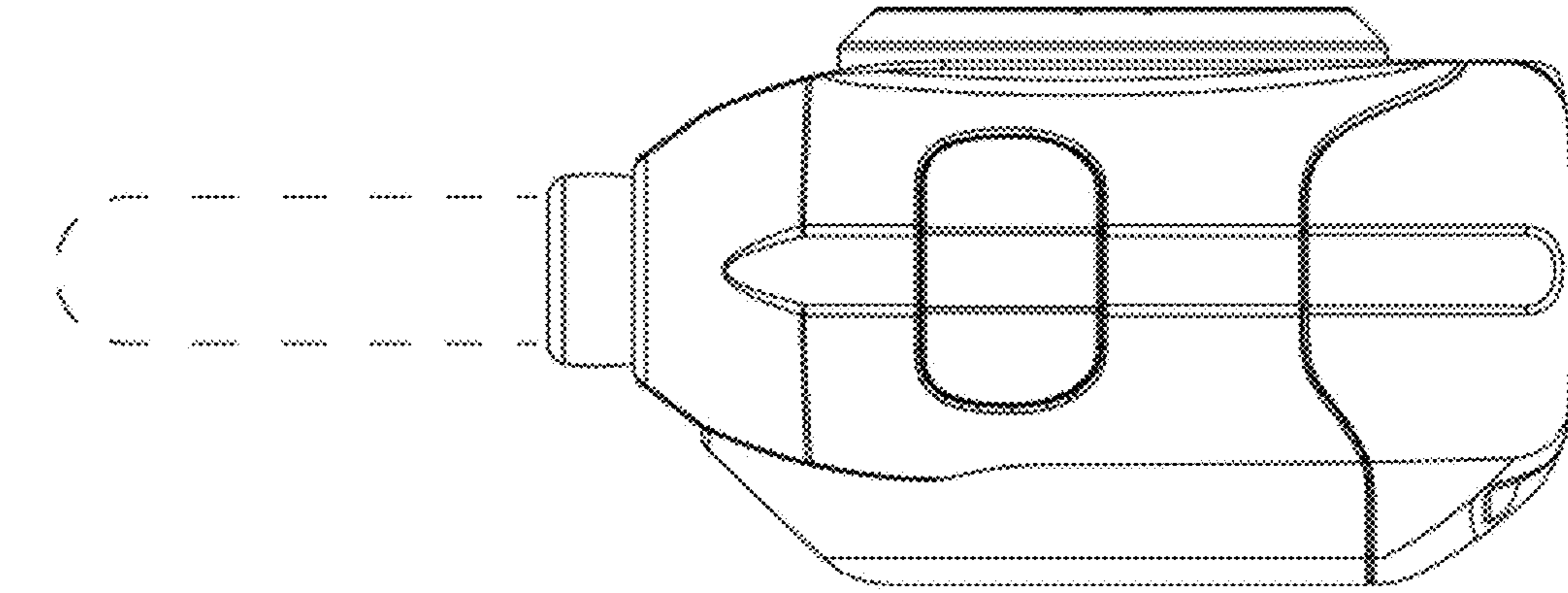


FIG. 4

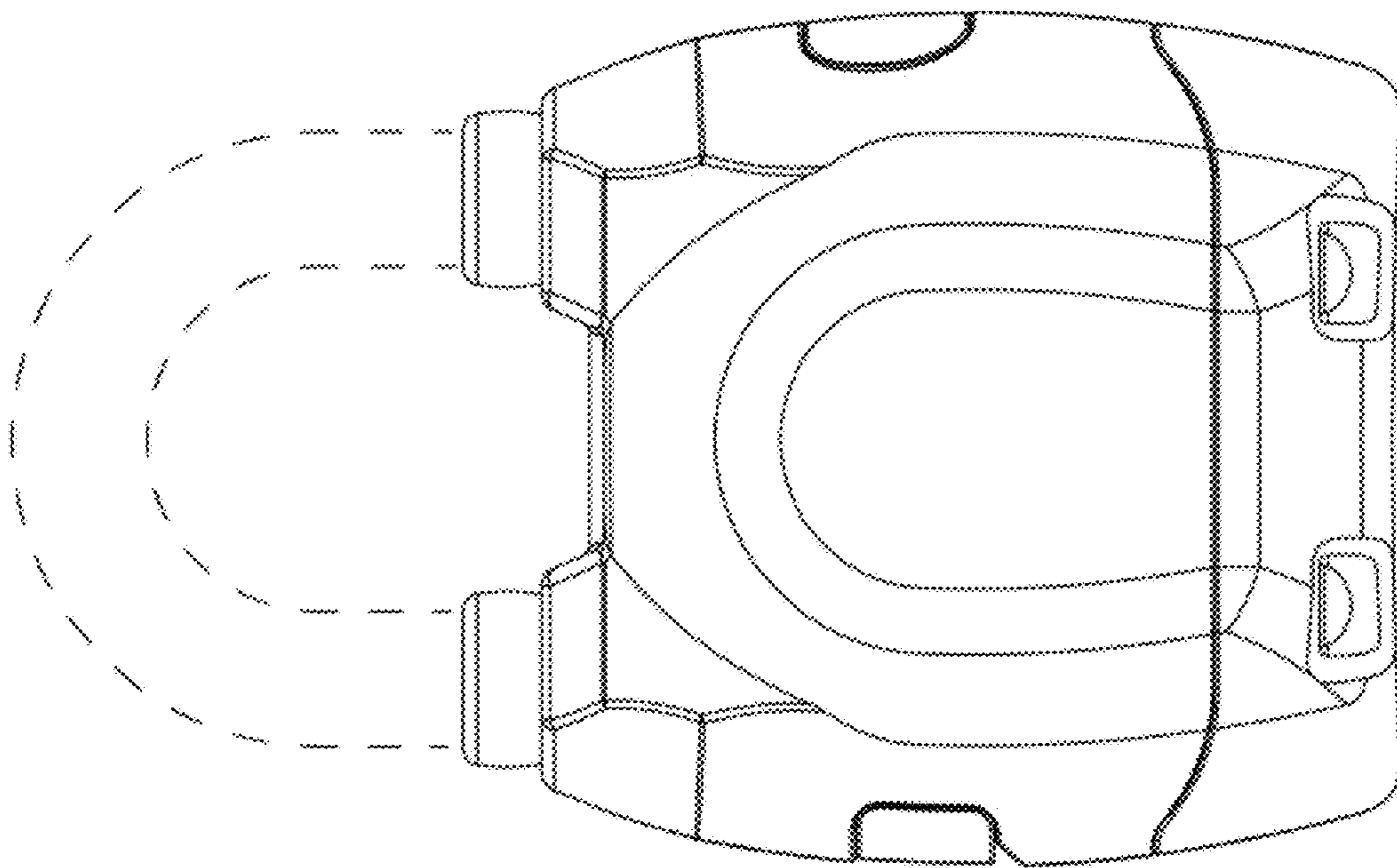


FIG. 3

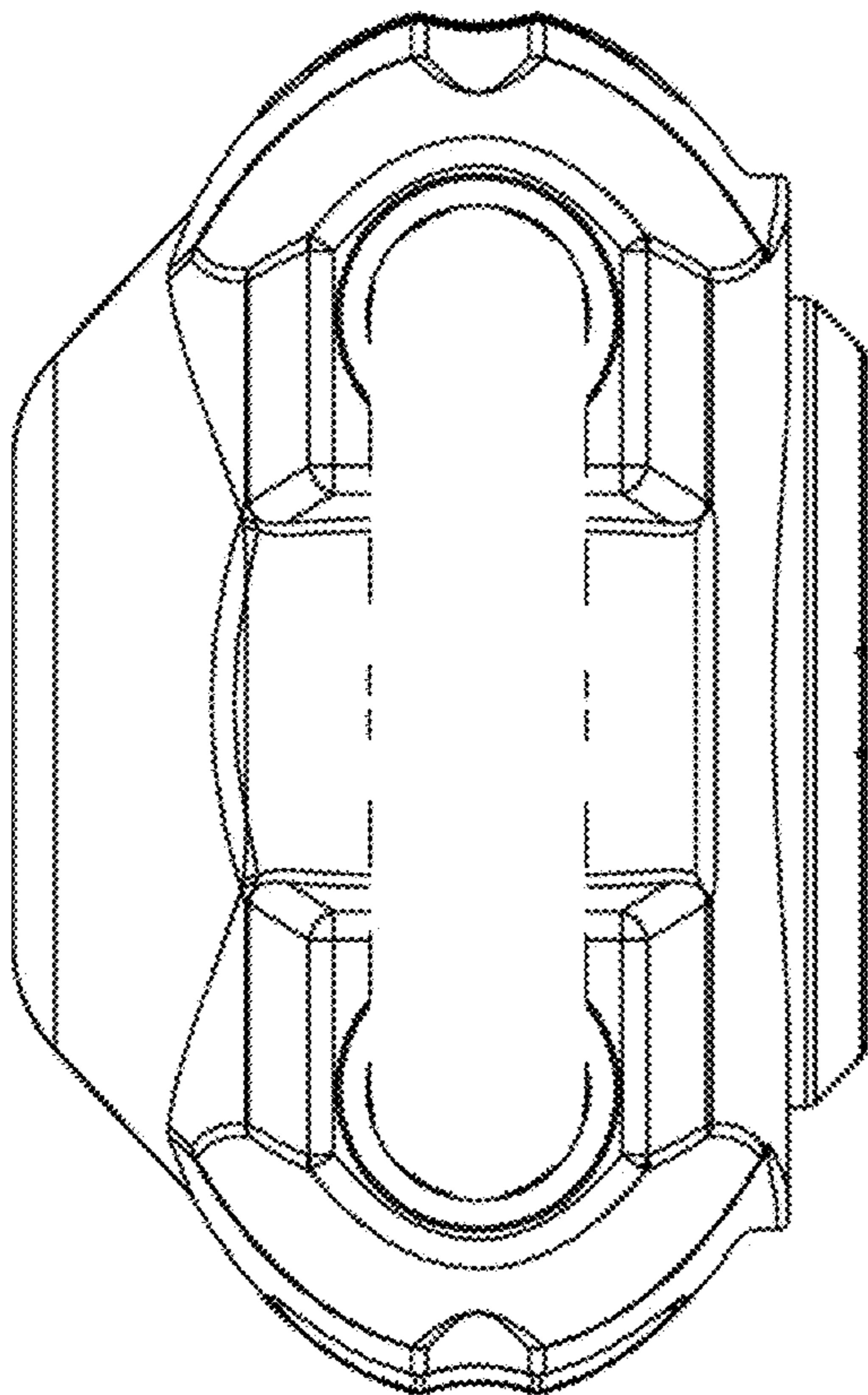


FIG. 5

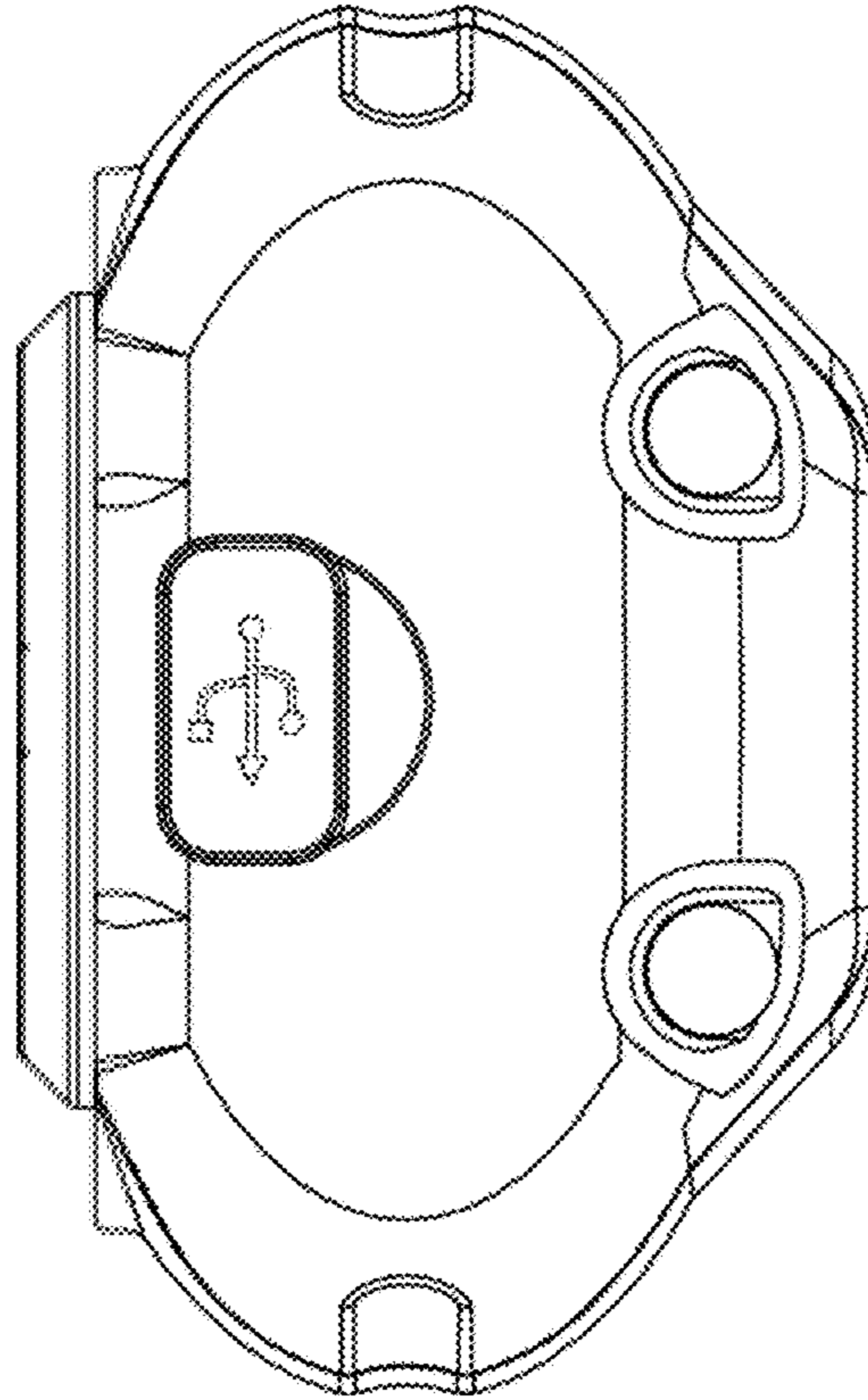


FIG. 6

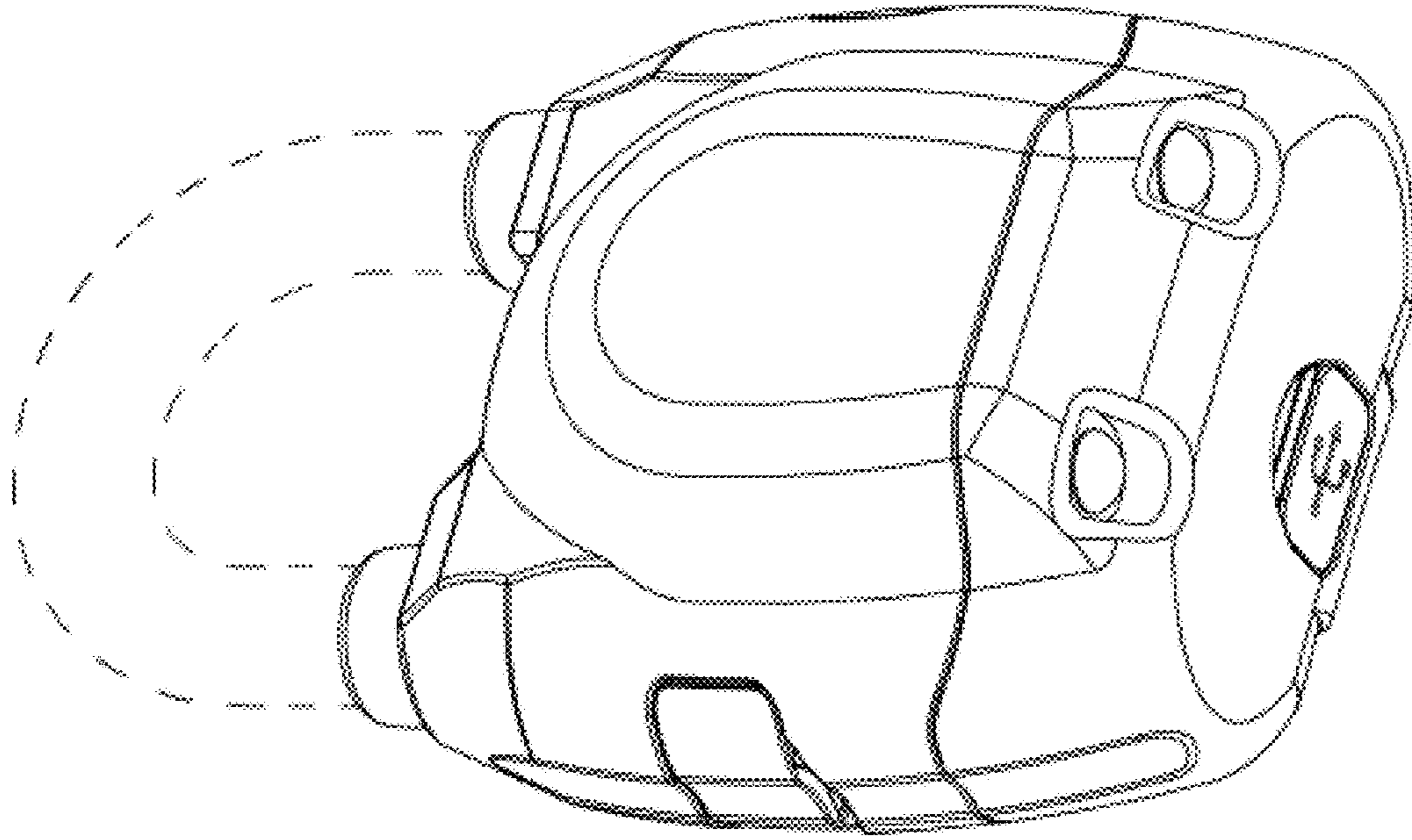


FIG. 8

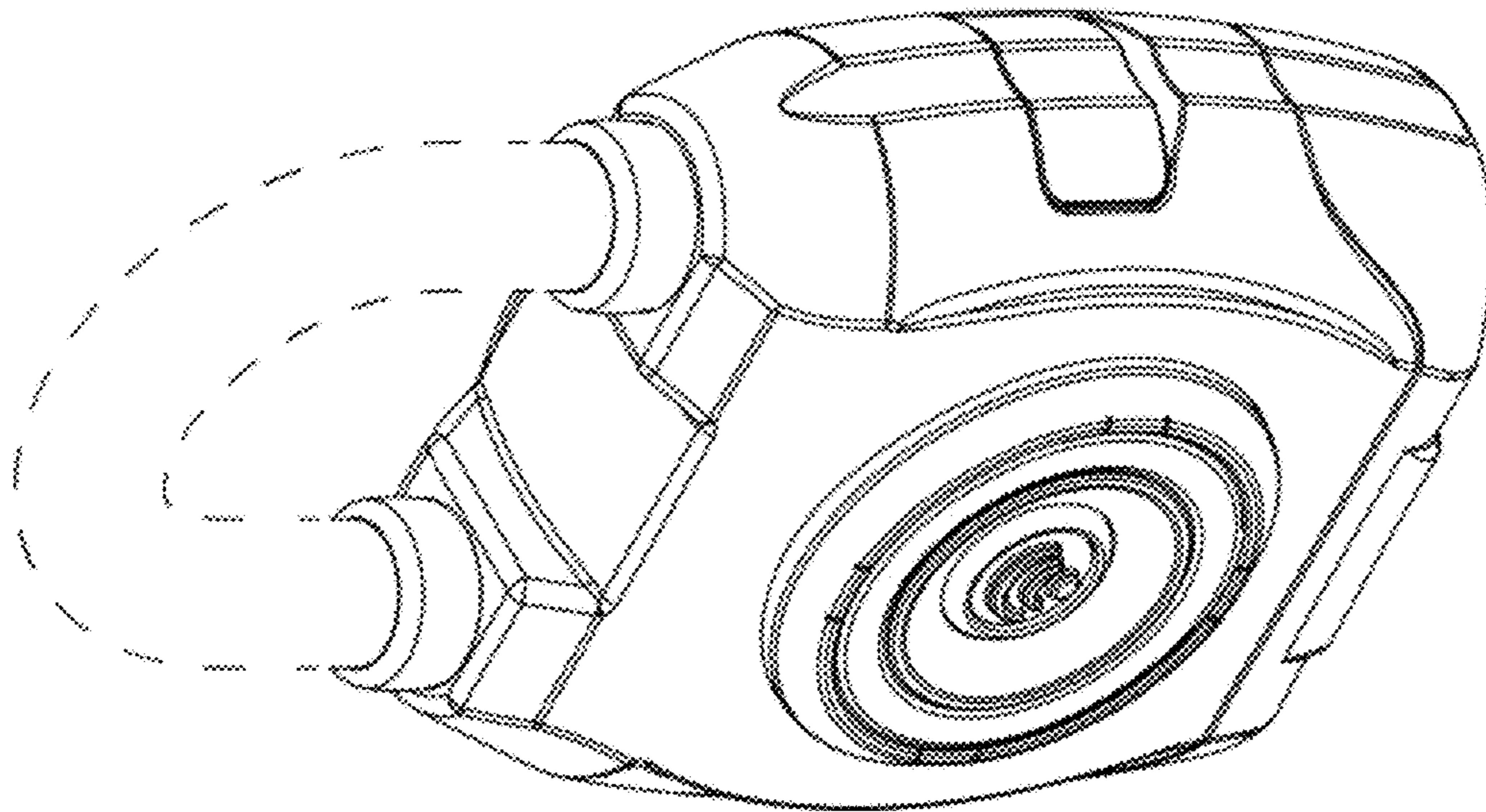


FIG. 7

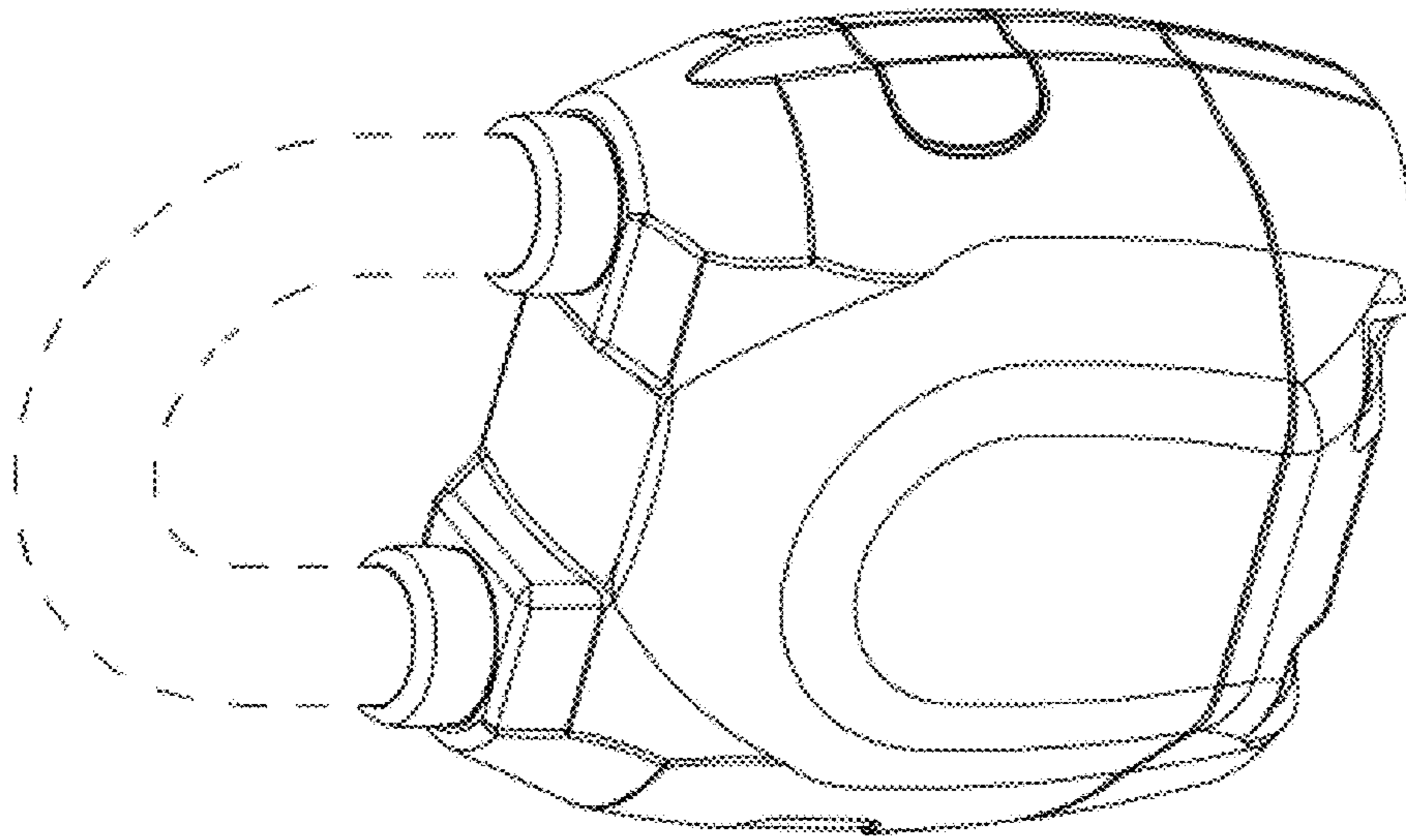


FIG. 10

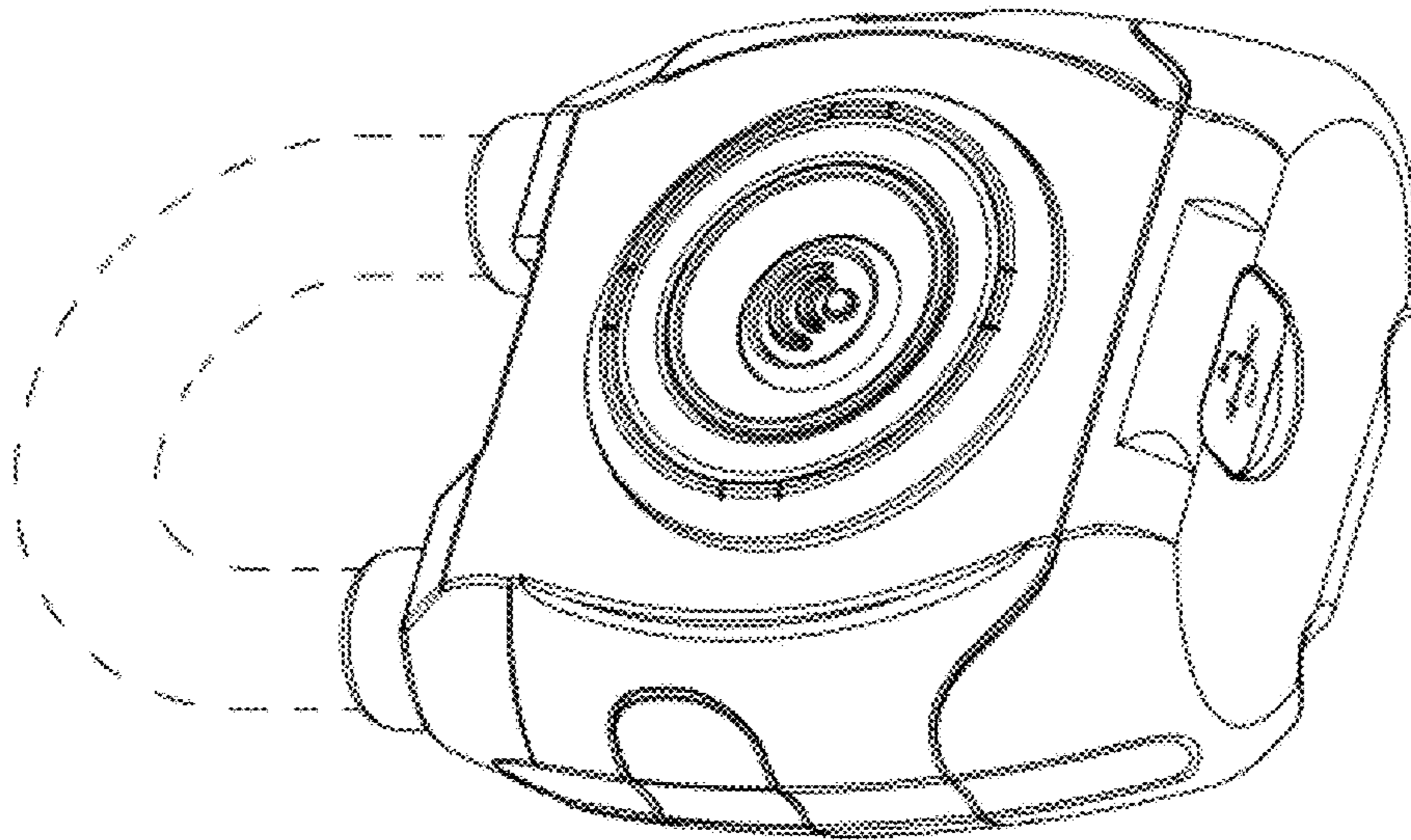


FIG. 9