



US00D807149S

(12) **United States Design Patent**
Kuu et al.

(10) **Patent No.:** **US D807,149 S**
(45) **Date of Patent:** **** Jan. 9, 2018**

(54) **SMART TRAVEL PADLOCK**
(71) Applicant: **Digipas Technologies, Inc.**, Irvine, CA (US)
(72) Inventors: **Bi Yong Kuu**, Singapore (SG); **Wai Kin Koh**, Singapore (SG); **Jim Hui Hong Li**, Irvine, CA (US)

D638,279 S * 5/2011 Plato D8/334
8,256,250 B2 * 9/2012 Yu E05B 35/105
70/20
8,353,184 B2 * 1/2013 Ling E05B 35/105
70/21
D721,261 S * 1/2015 Yong D8/334
D722,485 S * 2/2015 Yong D8/334
D759,460 S * 6/2016 Thomson D8/334
D781,131 S * 3/2017 Nguyen D8/334
D790,952 S * 7/2017 Nguyen D8/334

(73) Assignee: **Digipas Technologies, Inc.**, Irvine, CA (US)

* cited by examiner

(**) Term: **15 Years**

Primary Examiner — Prabhakar Deshmukh

(74) Attorney, Agent, or Firm — Gordon & Rees, LLP

(21) Appl. No.: **29/584,041**

(57) **CLAIM**

The ornamental design for smart travel padlock, as shown and described.

(22) Filed: **Nov. 10, 2016**

(51) **LOC (11) Cl.** **08-07**

(52) **U.S. Cl.**
USPC **D8/334**

DESCRIPTION

(58) **Field of Classification Search**
USPC D8/300–302, 350, 330, 331, 343, 346, D8/334; 70/14, 158, 160, 452, 448, 466; 292/348, 350, 357; D9/702, 720; 190/100, 101
CPC E05B 1/0007; E05B 9/00; E05B 17/00; A45C 5/00; A45C 13/00; A45C 13/002
See application file for complete search history.

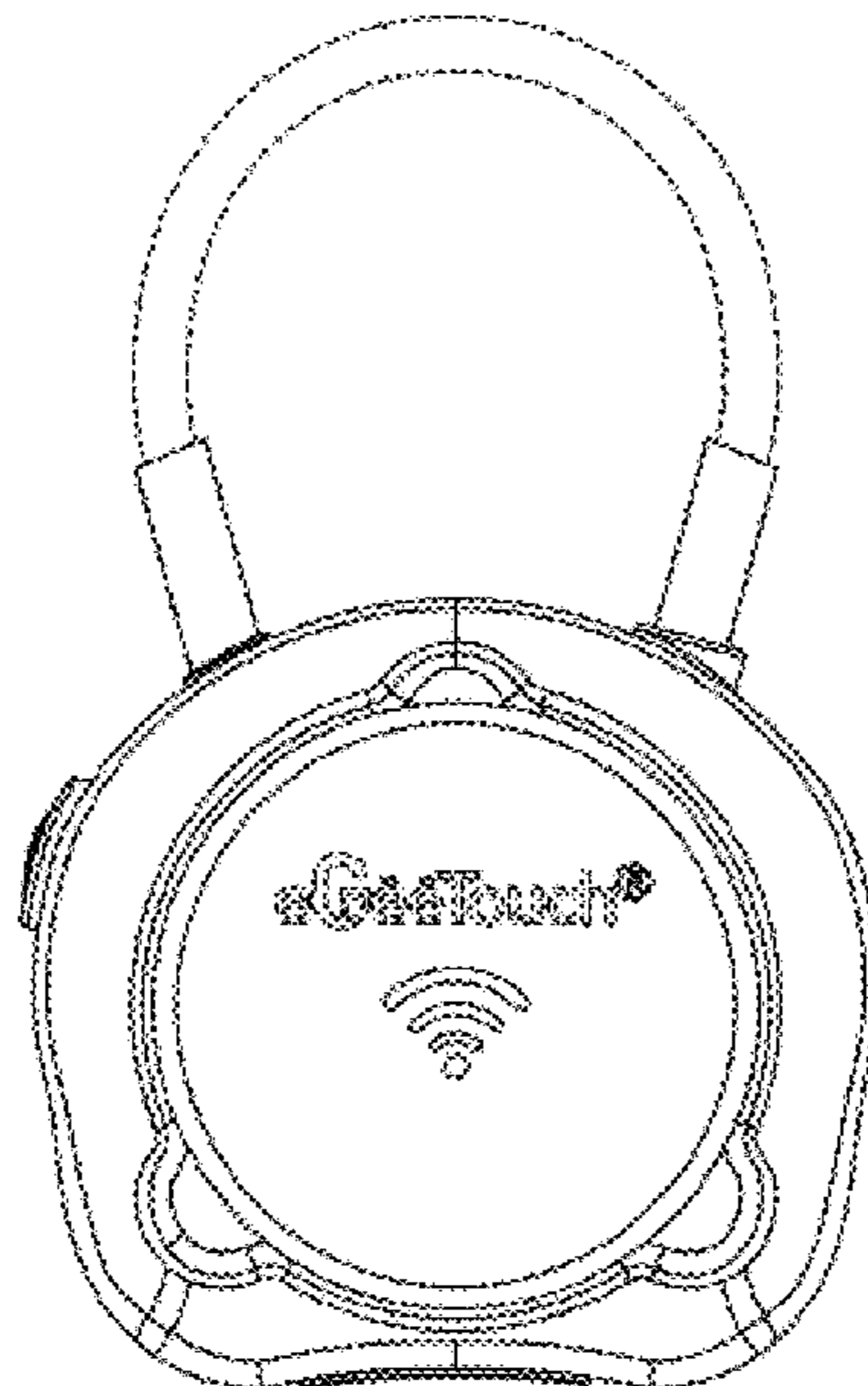
FIG. 1 is a front view of the smart travel padlock according to the new design;
FIG. 2 is a right view of the smart travel padlock;
FIG. 3 is a back view of the smart travel padlock;
FIG. 4 is a left side view of the smart travel padlock;
FIG. 5 is a top view of the smart travel padlock;
FIG. 6 is a bottom view of the smart travel padlock;
FIG. 7 is an elevated front and right perspective view of the smart travel padlock;
FIG. 8 is an elevated back and right perspective view of the smart travel padlock;
FIG. 9 is an elevated front and left perspective view of the smart travel padlock; and,
FIG. 10 is an elevated back and left perspective view of the smart travel padlock.
The broken lines in the Figures show portions of the smart travel padlock that form no part of the claimed design.

(56) **References Cited**

U.S. PATENT DOCUMENTS

6,539,761 B2 * 4/2003 Yang E05B 37/0034
70/21
6,718,803 B2 * 4/2004 Knoll E05B 37/00
70/26
D557,107 S * 12/2007 Van Handel D8/334
D594,731 S * 6/2009 Plato D8/334
D629,280 S * 12/2010 Plato D8/334

1 Claim, 7 Drawing Sheets



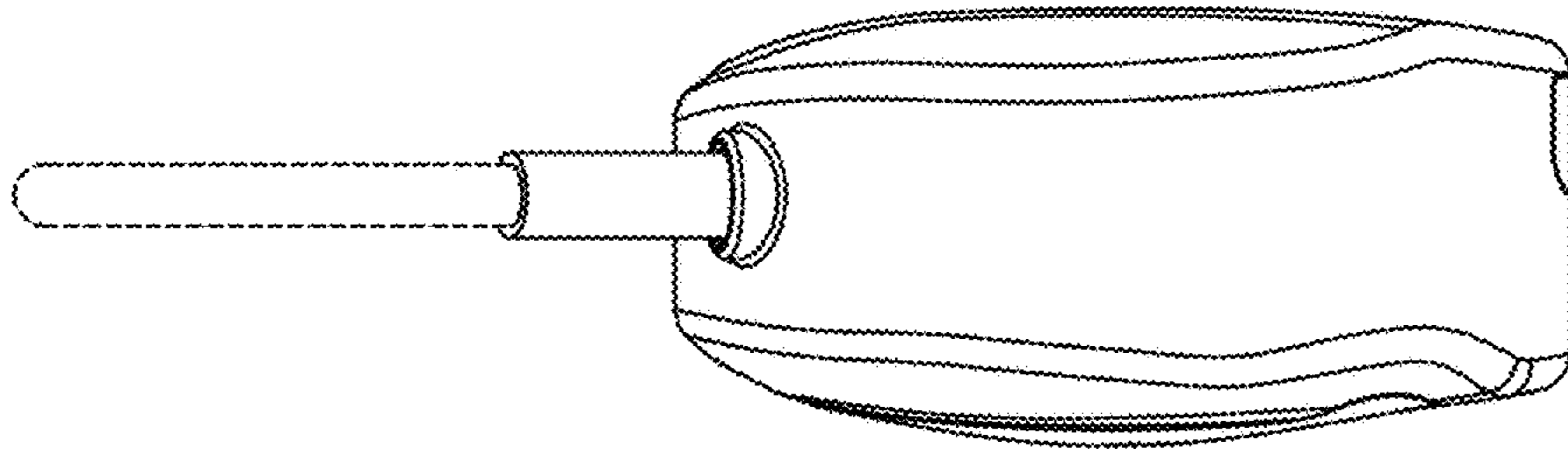


FIG. 2

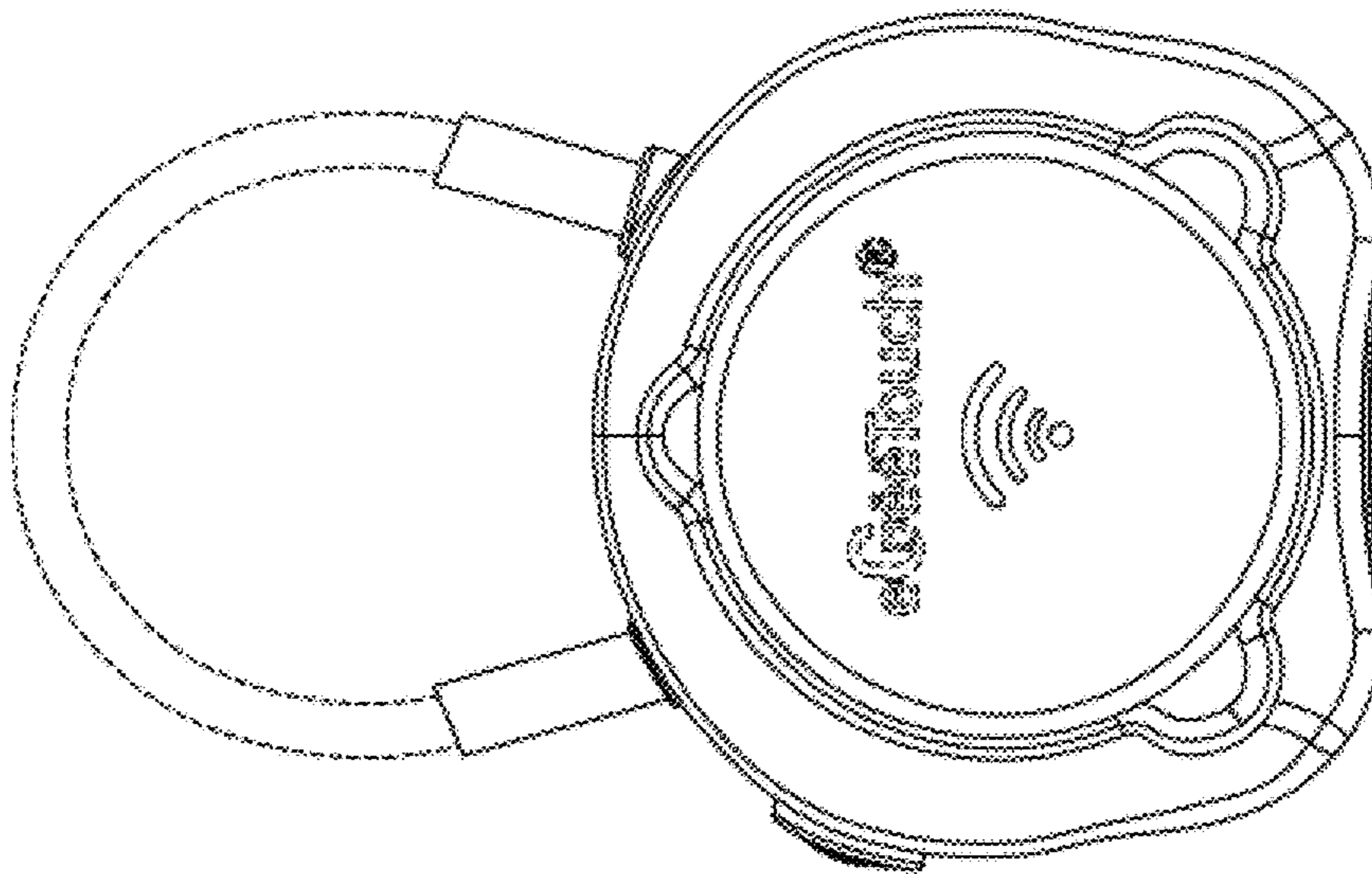


FIG. 1

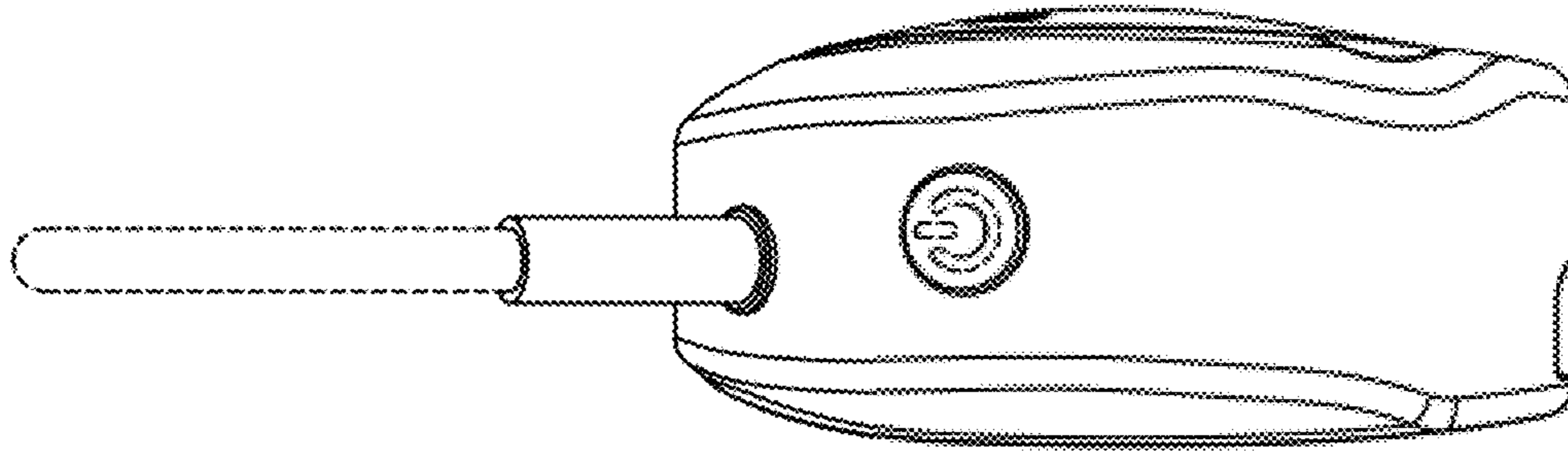


FIG. 4

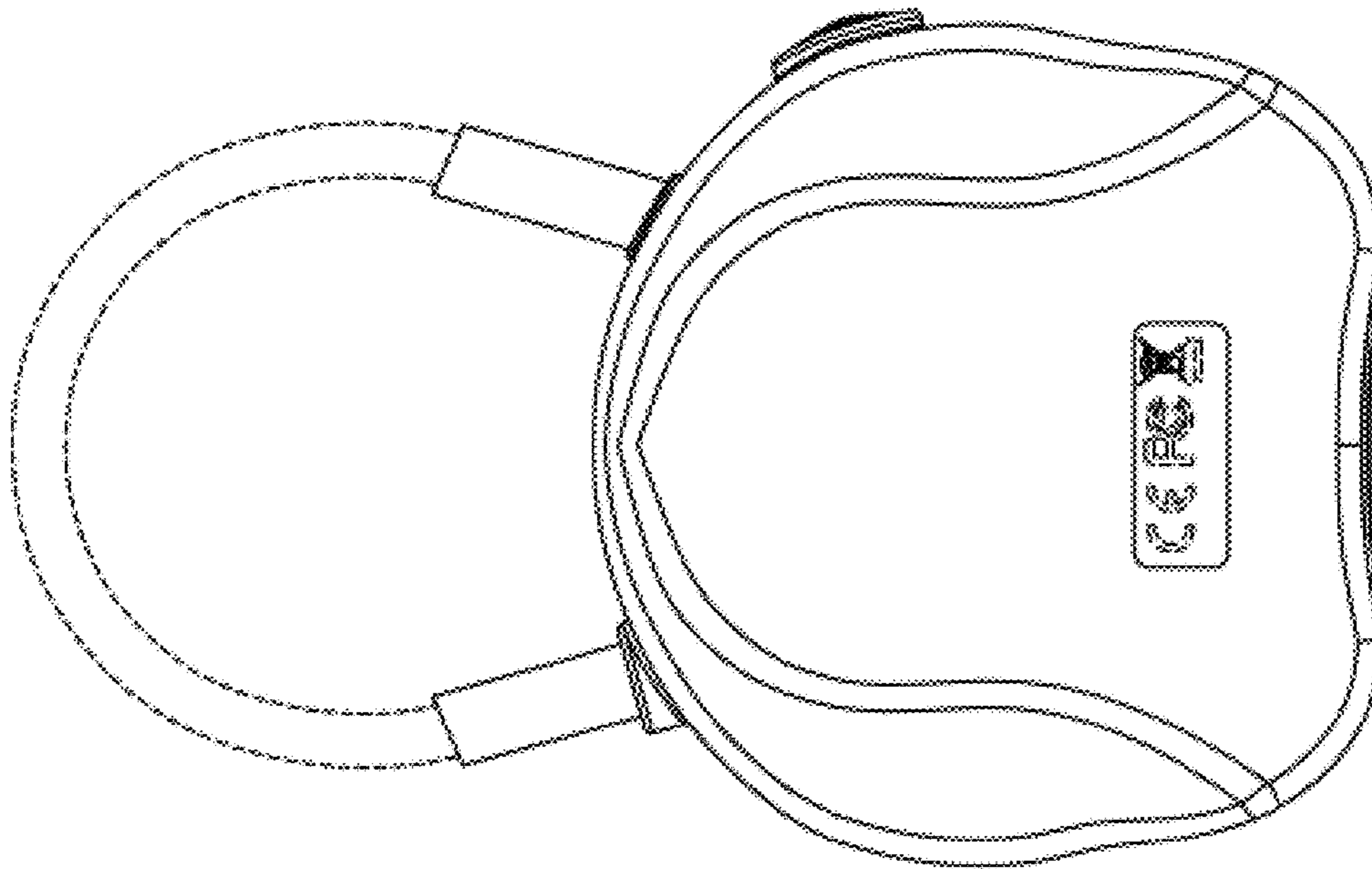


FIG. 3

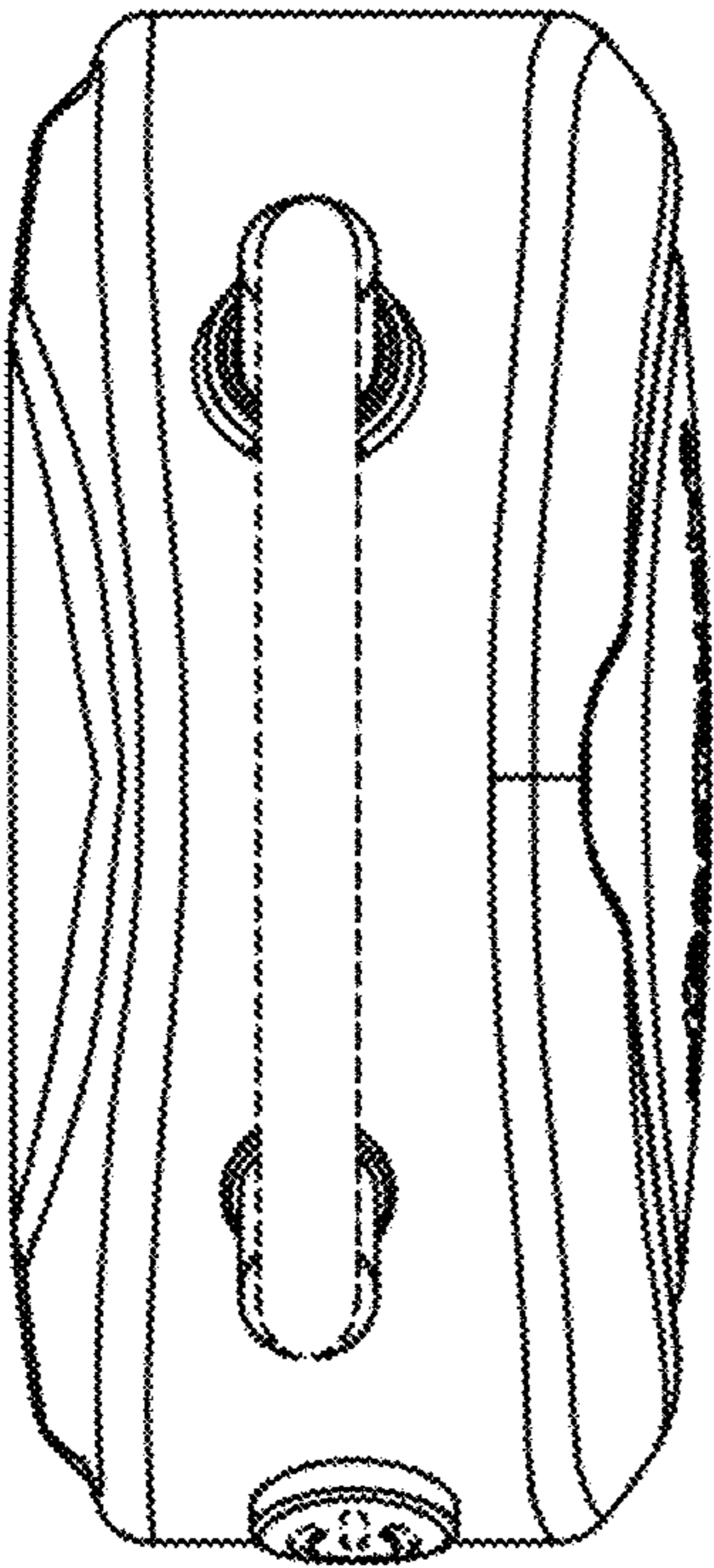


FIG. 5

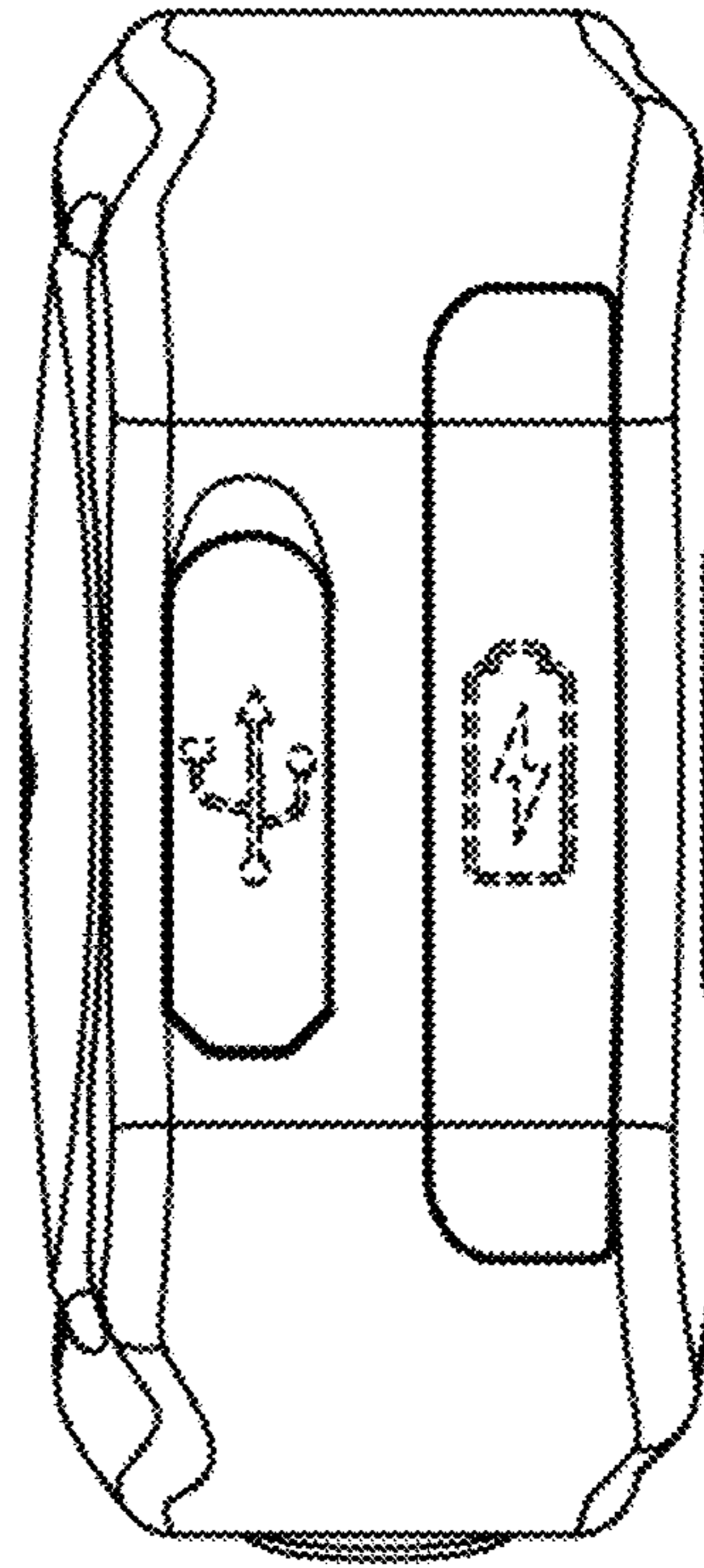


FIG. 6

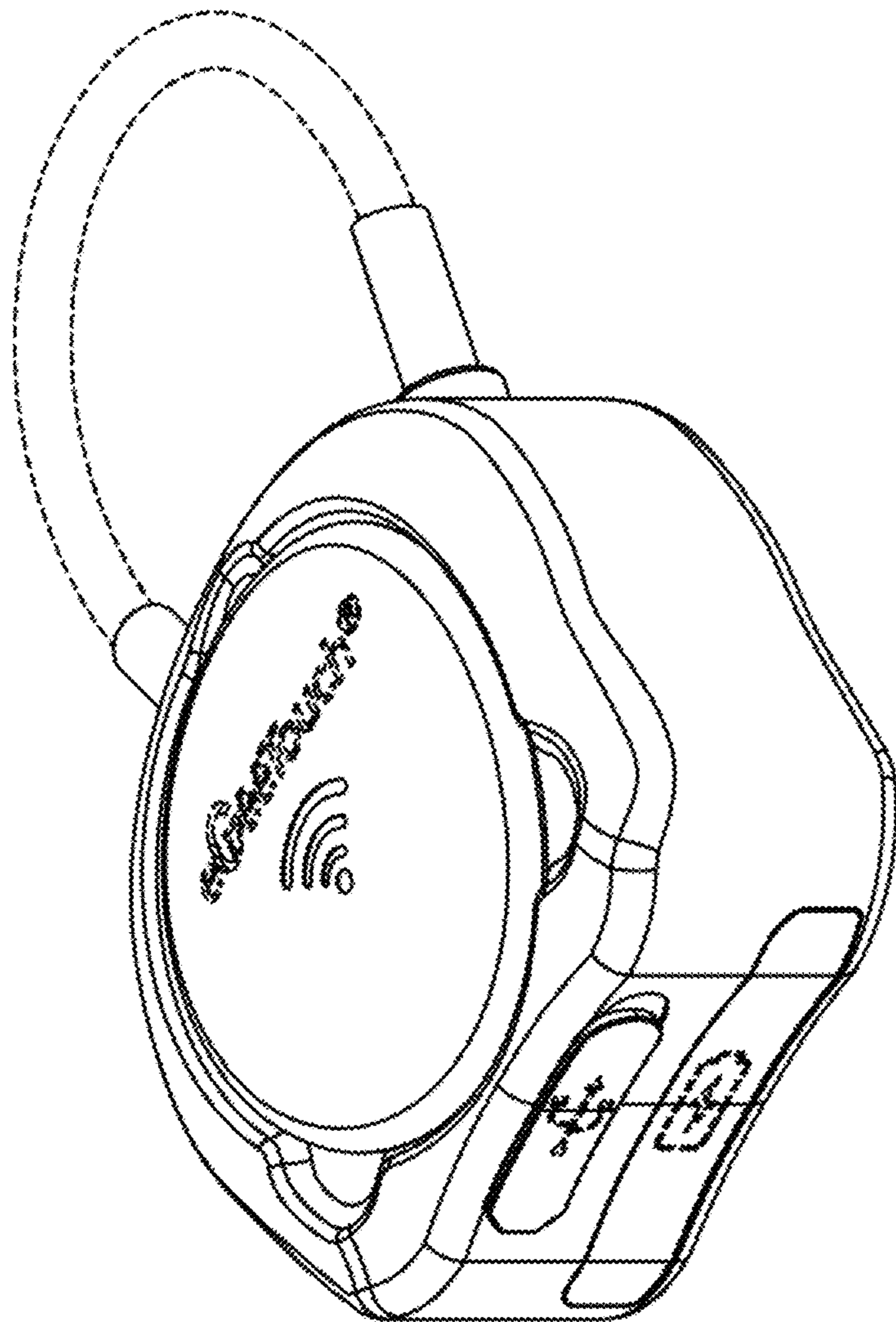


FIG. 7

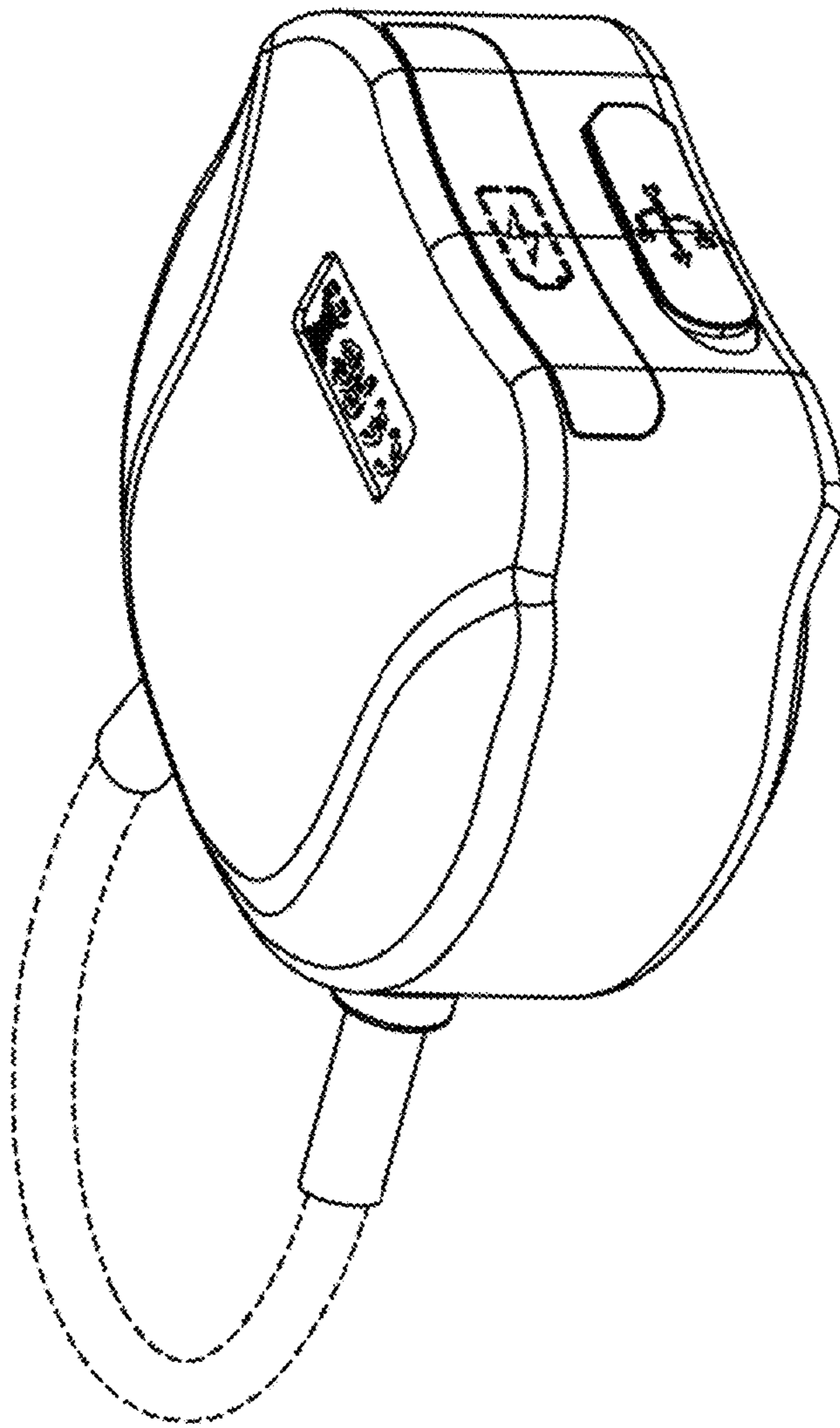


FIG. 8

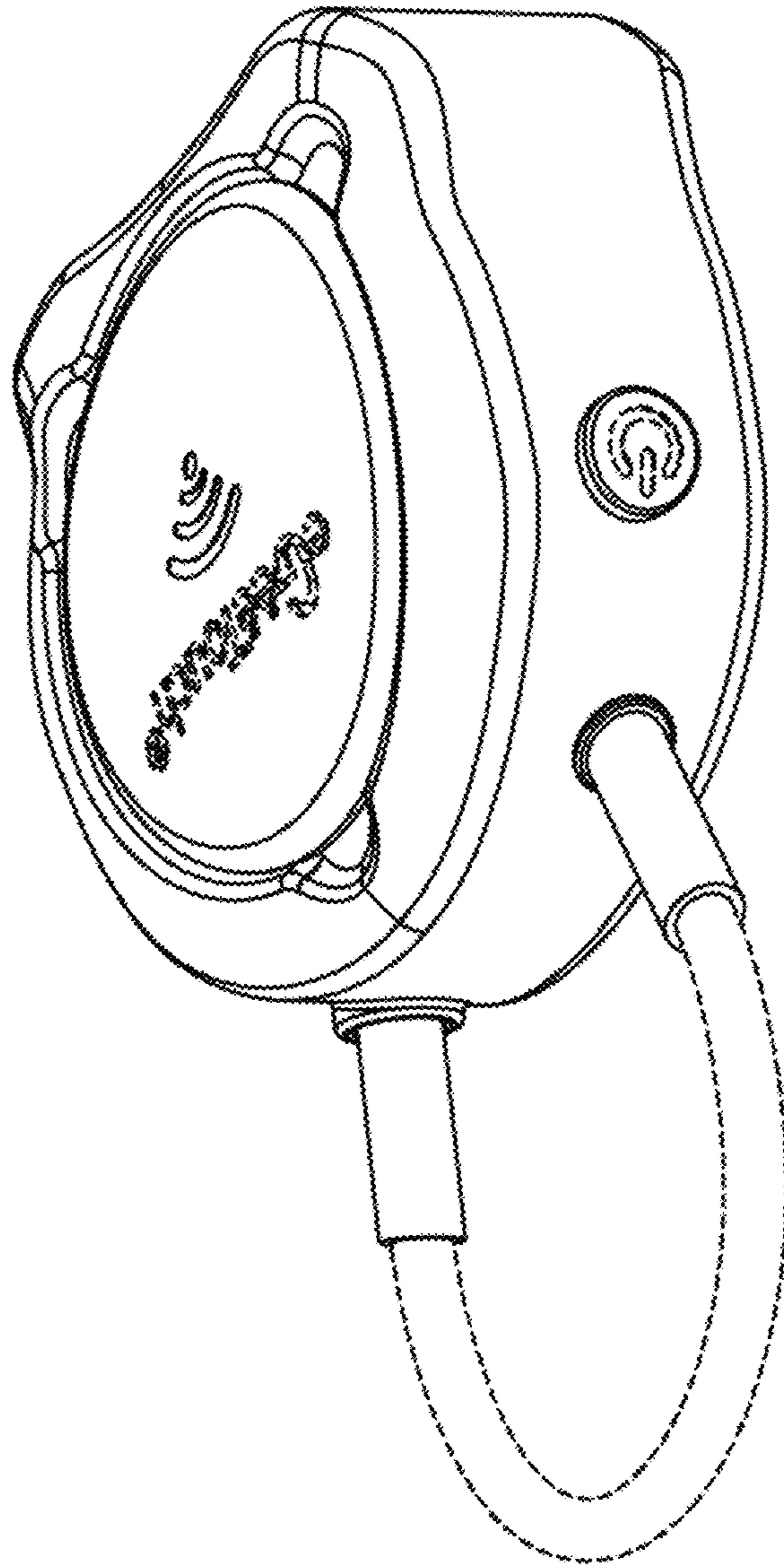


FIG. 9

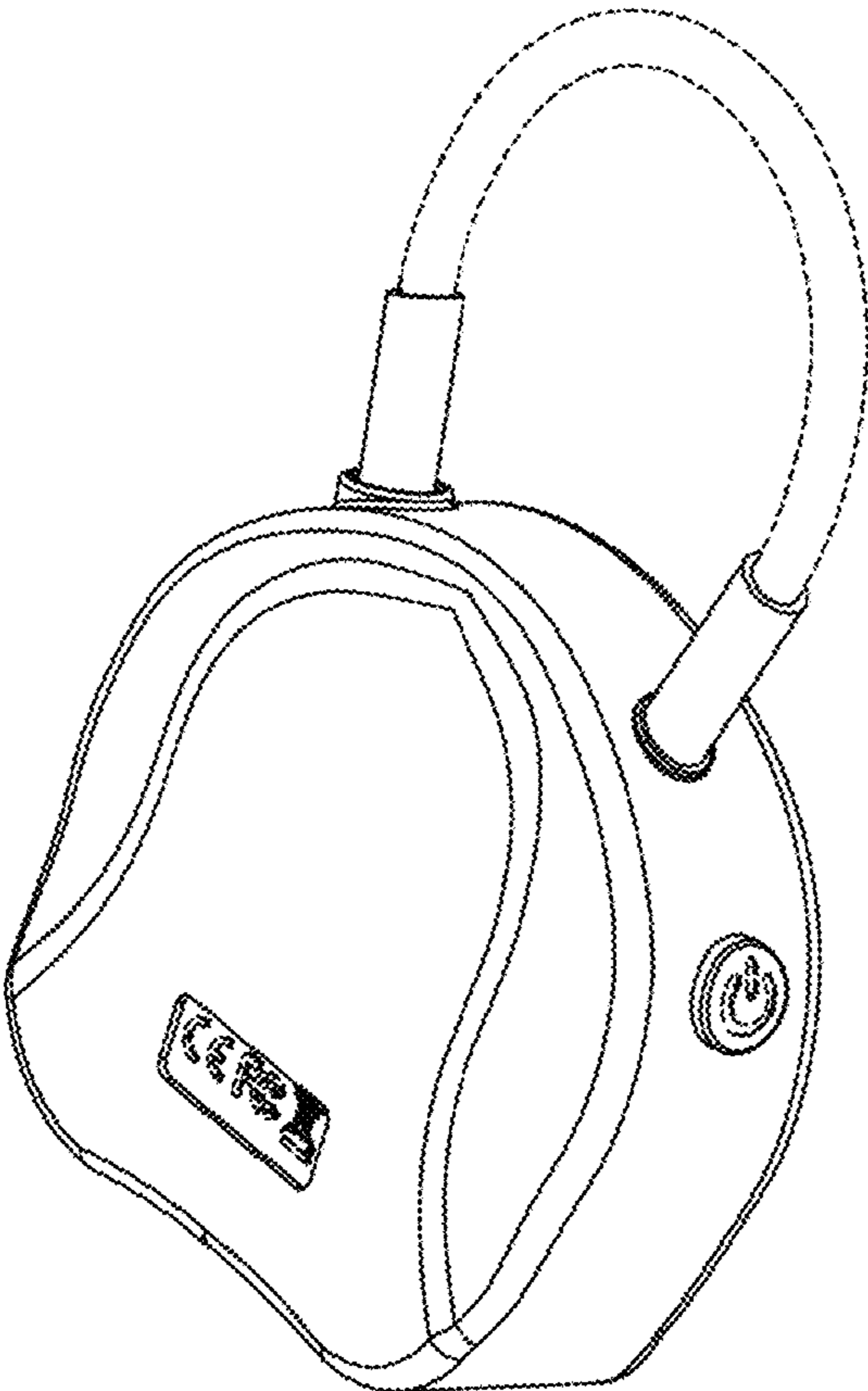


FIG. 10