



US00D807147S

(12) **United States Design Patent**  
**Renault**

(10) **Patent No.:** **US D807,147 S**  
(45) **Date of Patent:** **\*\* Jan. 9, 2018**

(54) **GRIP OF HOSE**  
(71) Applicant: **KUHN S.A.**, Saverne (FR)  
(72) Inventor: **Stéphane Renault**, Allenwiller (FR)  
(\*\*) Term: **15 Years**  
(21) Appl. No.: **35/500,978**  
(22) Filed: **Feb. 12, 2016**  
(80) **Hague Agreement Data**  
Int. Filing Date: **Feb. 12, 2016**  
Int. Reg. No.: **DM/090497**  
Int. Reg. Date: **Feb. 12, 2016**  
Int. Reg. Pub. Date: **May 20, 2016**

(51) **LOC (11) Cl.** ..... **08-06**  
(52) **U.S. Cl.**  
USPC ..... **D8/303**  
(58) **Field of Classification Search**  
USPC ..... D8/14, 16, 19, 20, 98-101, 107, 300,  
D8/303, DIG. 7, DIG. 8; D12/178;  
D21/694; D23/223  
CPC ..... A63B 21/072; A63B 21/0724; A63B  
21/0726; A63B 21/0728; A63B 21/075;  
B05B 15/001; B26B 5/005; B62K 21/26;  
F16L 33/30; Y10T 16/44; Y10T 16/466;  
Y10T 16/476; Y10T 74/20828  
See application file for complete search history.

(56) **References Cited**  
U.S. PATENT DOCUMENTS  
D123,490 S \* 11/1940 Saffell ..... D8/107  
2,312,041 A \* 2/1943 Lillie ..... A45B 9/02  
135/66  
2,621,043 A \* 12/1952 Olmstead ..... A63B 21/012  
16/421  
D172,199 S \* 5/1954 Schoenwald ..... D8/107  
D198,197 S \* 5/1964 Utz et al. .... D8/303

D225,713 S \* 1/1973 Nichols, Jr. .... D8/14  
4,453,710 A \* 6/1984 Plotz ..... A63B 21/0602  
403/167  
D299,807 S \* 2/1989 Sawa ..... D22/118  
D317,256 S \* 6/1991 Samuels ..... D9/503  
D322,022 S \* 12/1991 Cunningham ..... D8/303  
5,441,471 A \* 8/1995 Passer ..... A63B 21/0602  
482/106  
D374,518 S \* 10/1996 McIntyre ..... D21/694  
5,983,747 A \* 11/1999 Chen ..... B62K 21/125  
16/110.1  
D430,072 S \* 8/2000 Harrison ..... D12/114  
D450,278 S \* 11/2001 Solberg ..... D12/178  
D459,785 S \* 7/2002 Chih ..... D23/213  
7,141,197 B2 \* 11/2006 Chadwick ..... B32B 7/02  
264/209.1  
7,234,205 B2 \* 6/2007 Blauer ..... A45B 9/02  
135/25.4  
D615,605 S \* 5/2010 Frasco ..... D21/682  
D623,703 S \* 9/2010 Dalgaard ..... D21/423  
7,996,961 B2 \* 8/2011 Blauer ..... A45B 9/02  
135/25.4

(Continued)

*Primary Examiner* — Elizabeth Albert

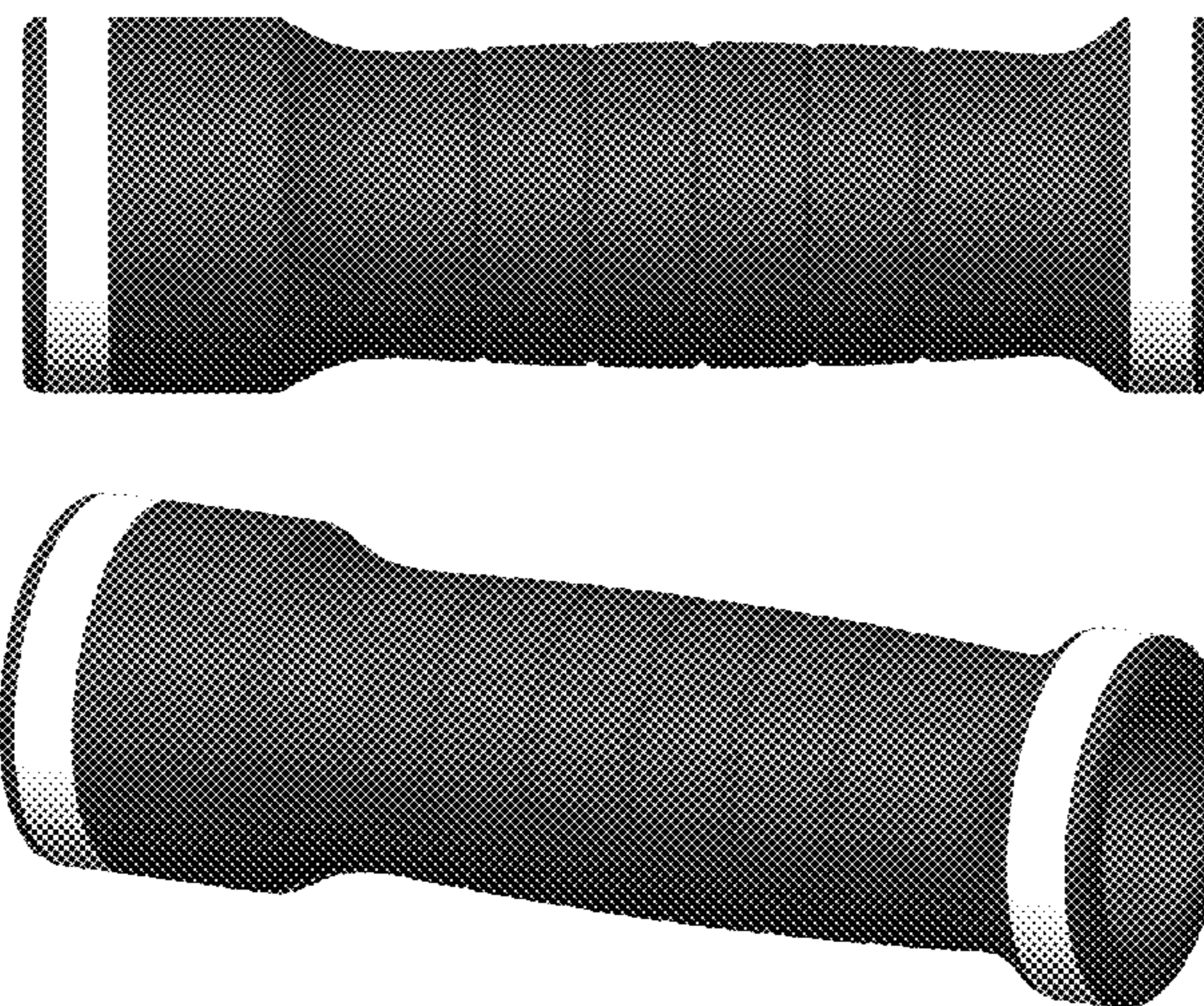
(57) **CLAIM**

The ornamental design for a grip of hose, as shown and described.

**DESCRIPTION**

**1.1** is a front elevational view of a grip of hose, the rear elevational view being a mirror image of the front elevational view shown;  
**1.2** is a top plan view thereof, the bottom plan view being a mirror image of the top plan view shown;  
**1.3** is a front, top, and right side perspective view thereof;  
**1.4** is a front elevational view thereof showing environmental subject matter;  
**1.5** is a left side elevational view thereof; and  
**1.6** is a right side elevational view thereof.  
The broken lines in figure **1.4** illustrate environmental subject matter that forms no part of the claimed design.

**1 Claim, 6 Drawing Sheets**



(56)

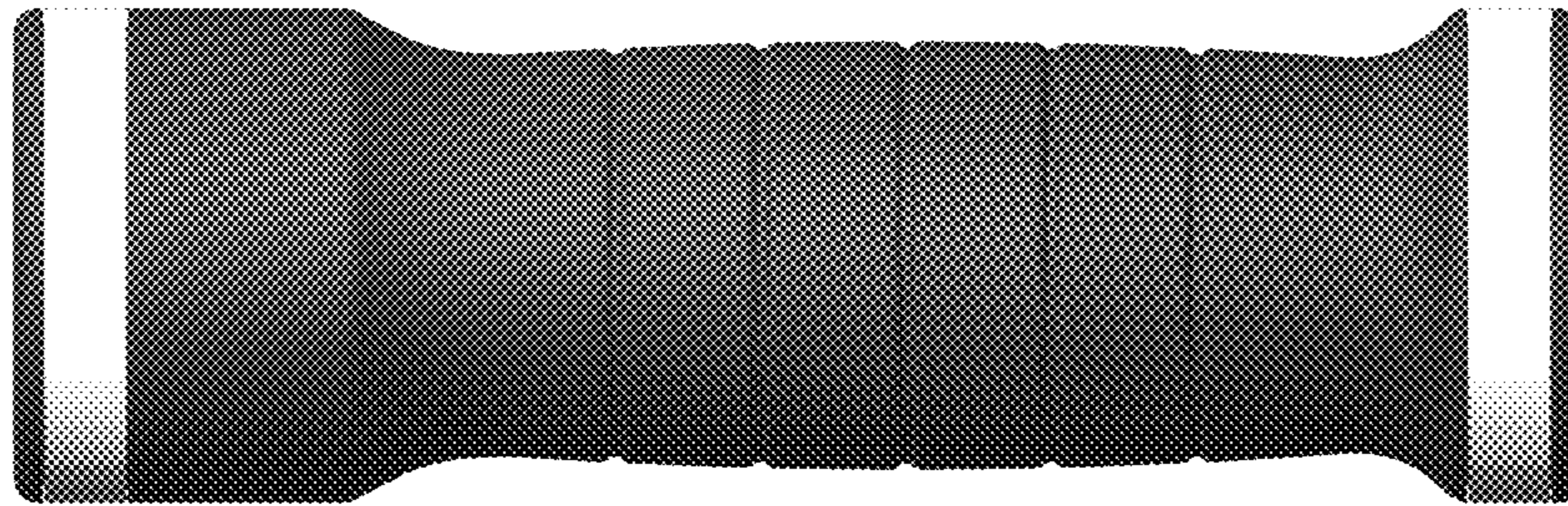
**References Cited**

U.S. PATENT DOCUMENTS

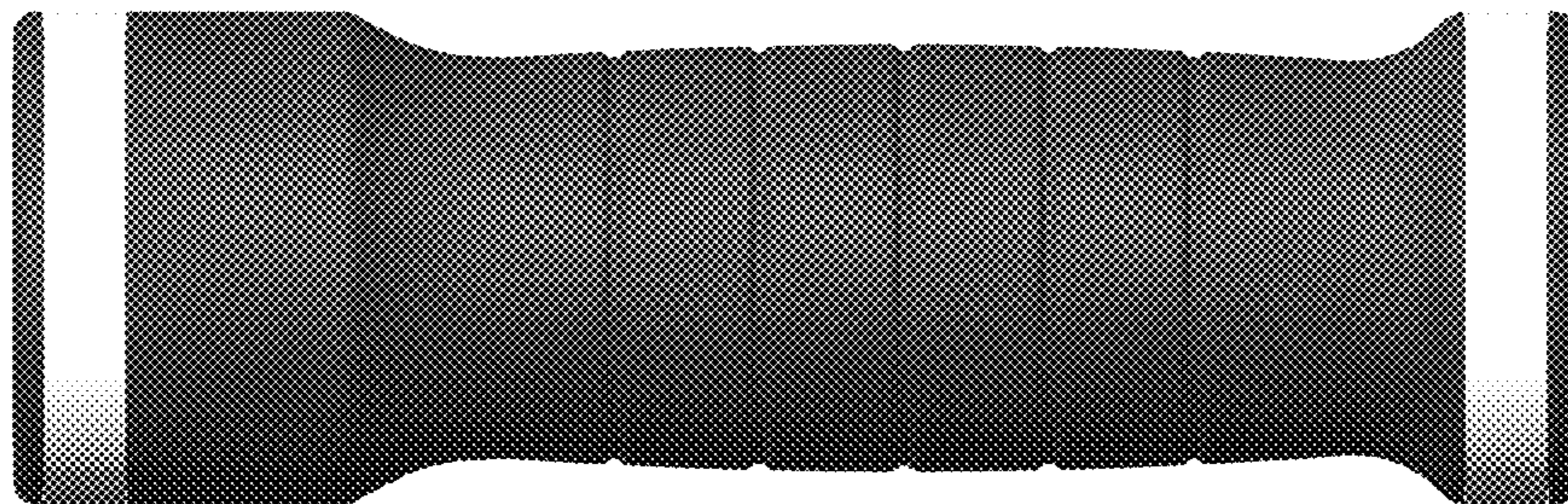
8,220,840	B2 *	7/2012	Garraffa .....	B63C 11/205 128/201.27
2006/0021196	A1 *	2/2006	Blauer .....	A45B 9/02 16/431
2009/0207599	A1 *	8/2009	Frick .....	F21V 23/0414 362/191
2010/0184570	A1 *	7/2010	Cheng .....	A63B 21/075 482/107
2013/0133467	A1 *	5/2013	Slone .....	B62K 21/26 74/551.9

\* cited by examiner

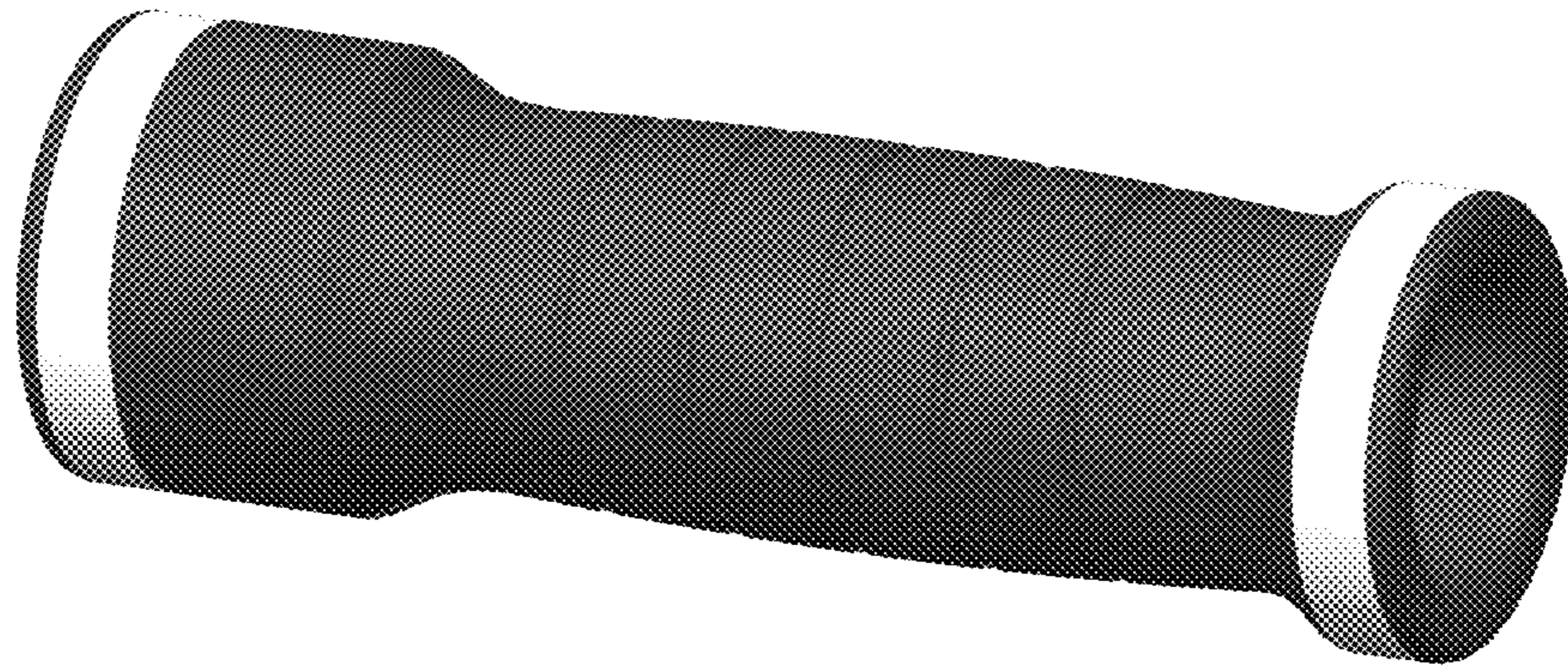
**1.1**



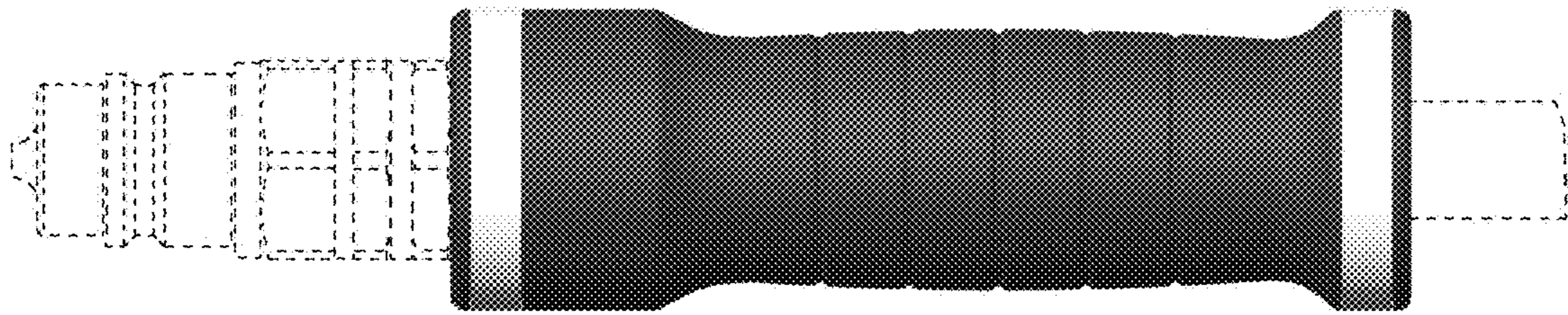
**1.2**



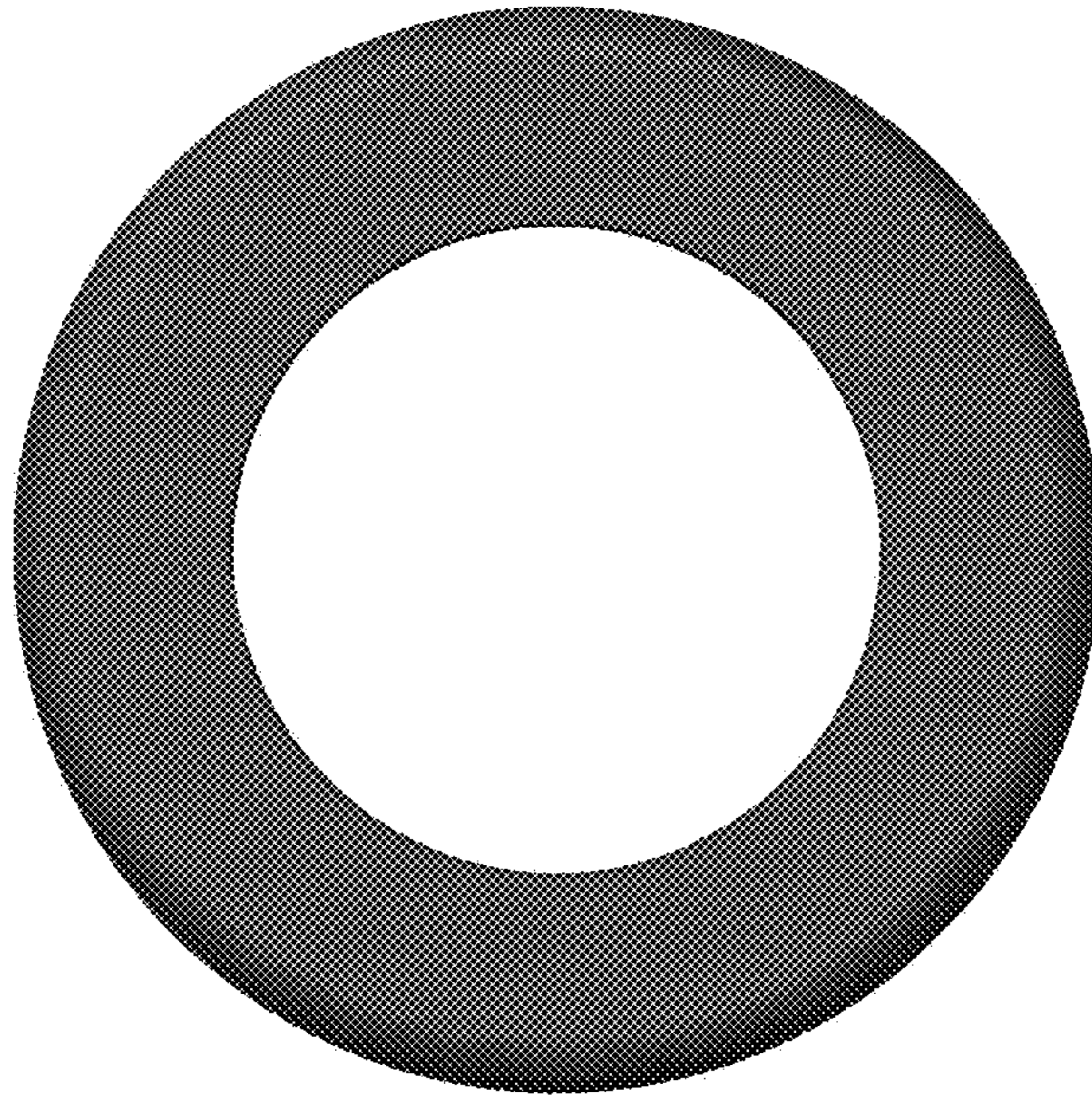
**1.3**



1.4



**1.5**



**1.6**

