



US00D807144S

(12) **United States Design Patent** (10) **Patent No.:** **US D807,144 S**
Ou (45) **Date of Patent:** **** Jan. 9, 2018**

(54) **TOOL HANDLE**
(71) Applicant: **Yu-Hua Ou**, Taichung (TW)
(72) Inventor: **Yu-Hua Ou**, Taichung (TW)
(**) Term: **15 Years**
(21) Appl. No.: **29/566,022**
(22) Filed: **May 26, 2016**
(51) **LOC (11) Cl.** **08-05**
(52) **U.S. Cl.**
USPC **D8/107**
(58) **Field of Classification Search**
USPC D8/14, 51, 52, 98, 99, 107, 21, 22, 26,
D8/27, 28, 29
CPC B25B 13/00; B25B 13/04; B25B 13/08;
B25B 13/12; B25B 13/14; B25B 13/10;
Y10T 16/44; Y10T 16/4559
See application file for complete search history.

D714,115 S * 9/2014 Robinson D8/25
D717,620 S * 11/2014 Miyazaki D8/30
D756,191 S * 5/2016 Horovitz D8/99
D757,511 S * 5/2016 Caglar D8/22
D763,653 S * 8/2016 Horovitz D8/99
D767,361 S * 9/2016 Chiu D8/99
D775,911 S * 1/2017 Bradley D8/22
2008/0156151 A1 * 7/2008 Chen B25B 23/0021
81/177.2
2015/0101460 A1 * 4/2015 Wu B25B 13/46
81/165

* cited by examiner

Primary Examiner — Phillip S Hyder
(74) *Attorney, Agent, or Firm* — Muncy, Geissler, Olds & Lowe, P.C.

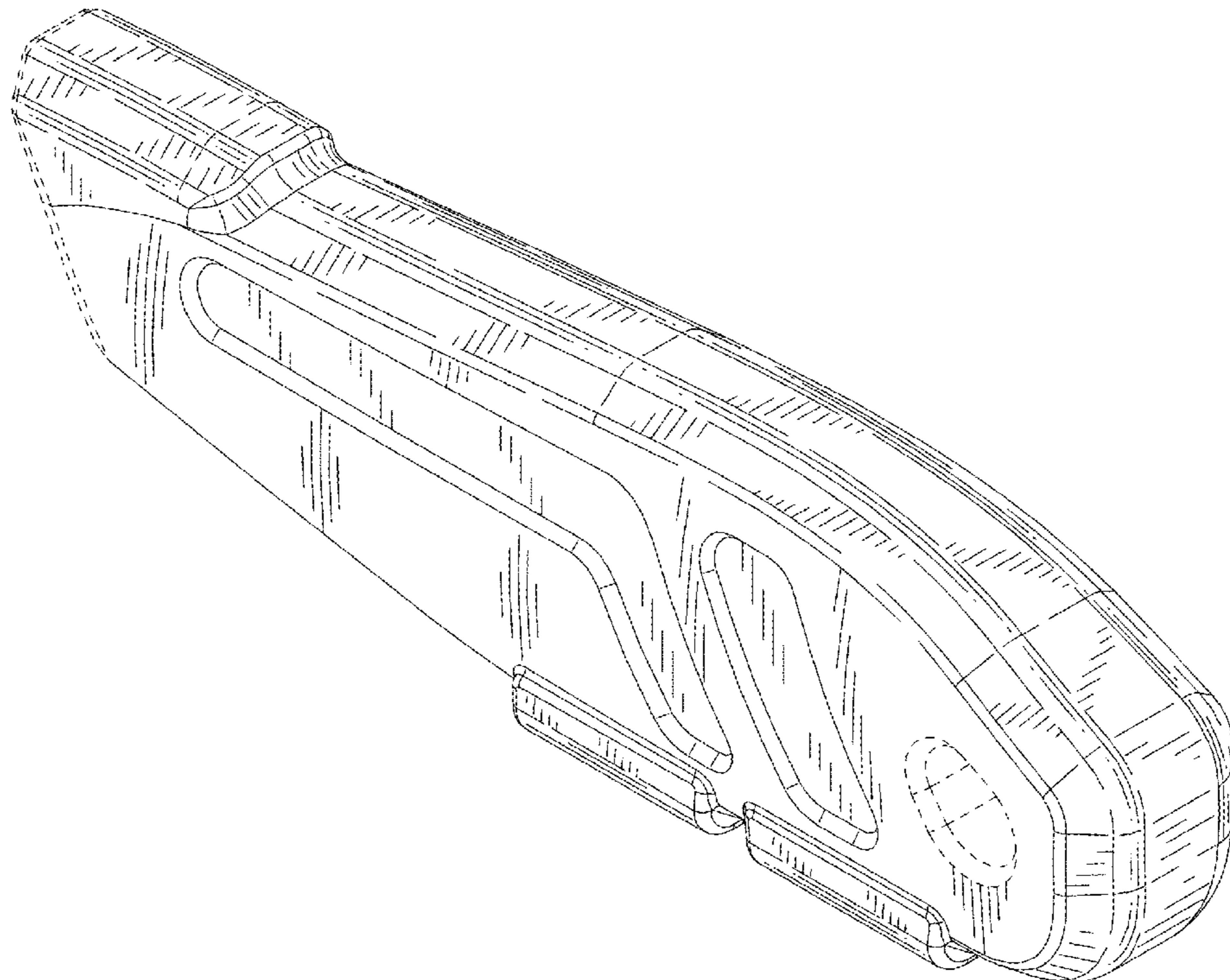
(57) **CLAIM**
I claim the ornamental design for a tool handle, as shown and described.

DESCRIPTION

FIG. 1 is a right, front, top perspective view of a tool handle showing my new design;
FIG. 2 is a front elevational view thereof;
FIG. 3 is a rear elevational view thereof;
FIG. 4 is a left side view thereof;
FIG. 5 is a right side view thereof;
FIG. 6 is a top plan view thereof;
FIG. 7 is a bottom plan view thereof; and,
FIG. 8 is a left, rear, bottom perspective view.
The broken lines in the drawings illustrate portions of the tool handle which form no part of the claimed design.

1 Claim, 6 Drawing Sheets

(56) **References Cited**
U.S. PATENT DOCUMENTS
D445,656 S * 7/2001 Ranieri D8/22
D468,617 S * 1/2003 Wang D8/107
D494,442 S * 8/2004 Lin Wu D8/107
D527,243 S * 8/2006 Holby D8/107
D610,895 S * 3/2010 Garcia D8/107
D617,617 S * 6/2010 Garcia D8/22
D618,076 S * 6/2010 Garcia D8/22
D633,762 S * 3/2011 Zhou D8/22
D651,056 S * 12/2011 Robinson D8/25



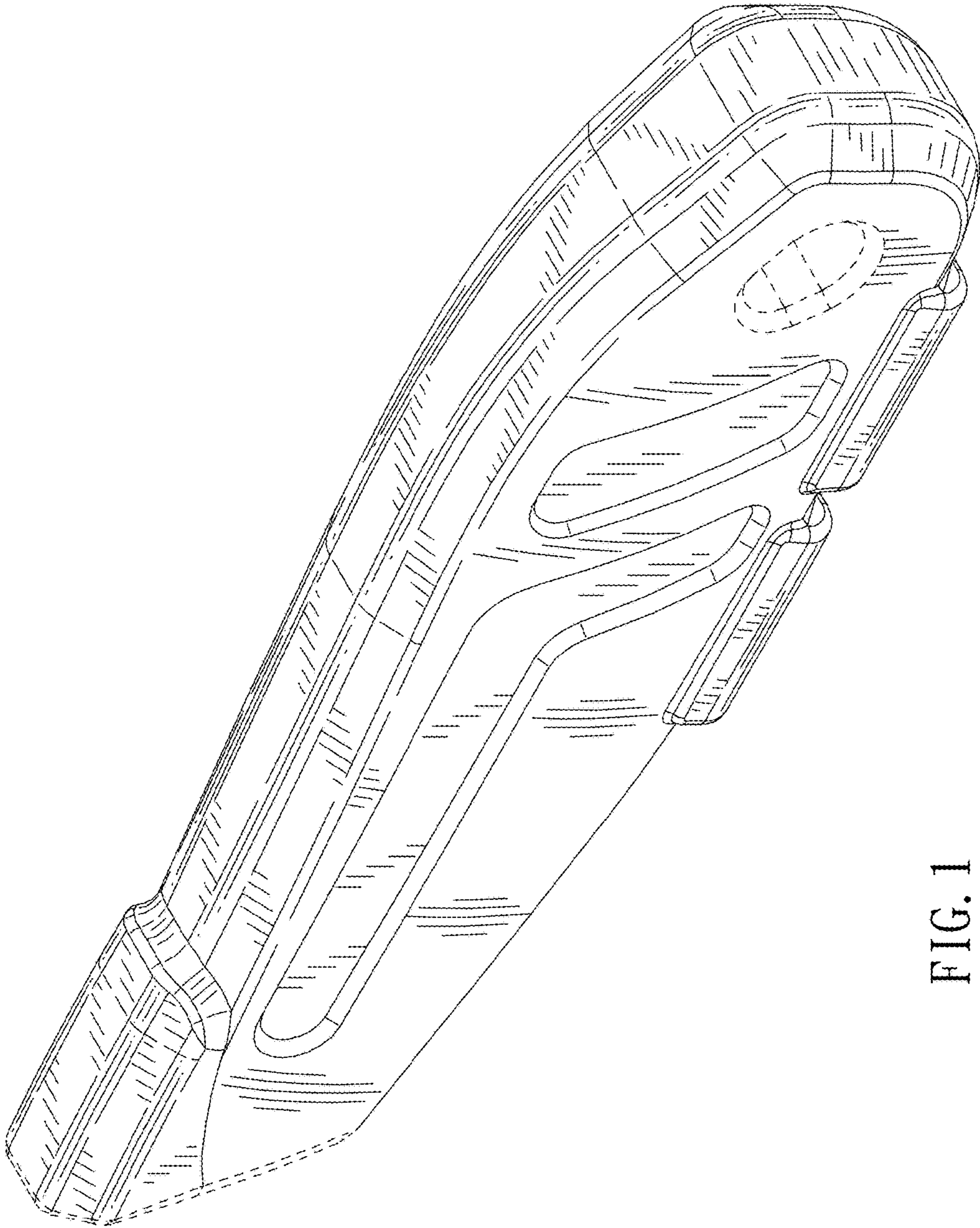


FIG. 1

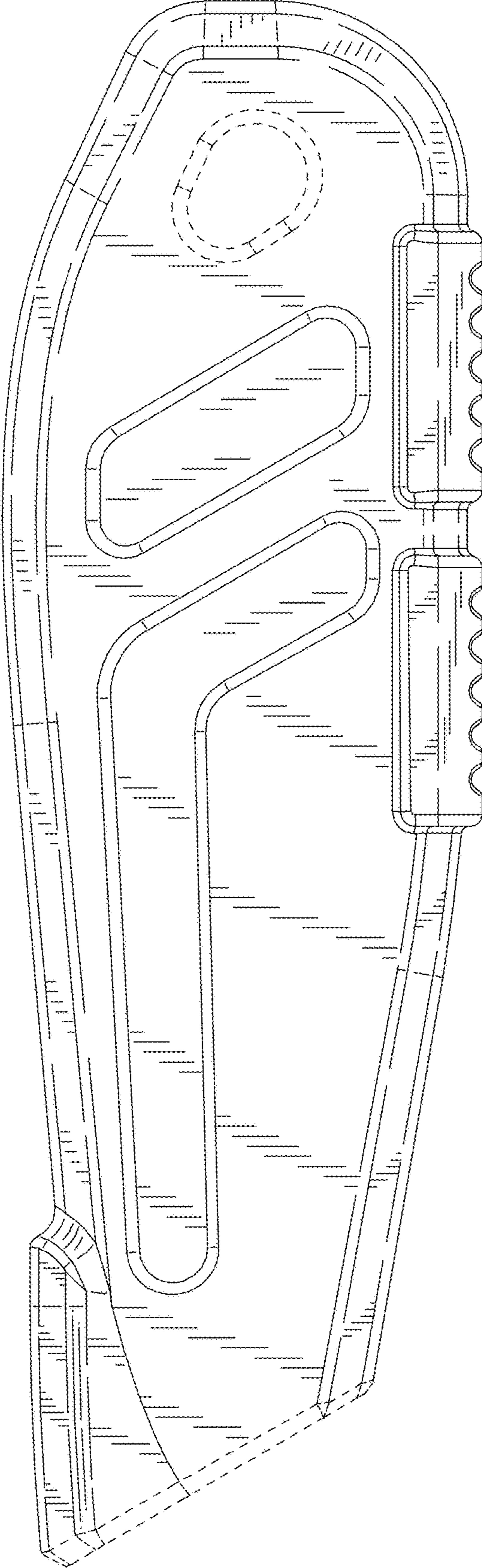


FIG. 2

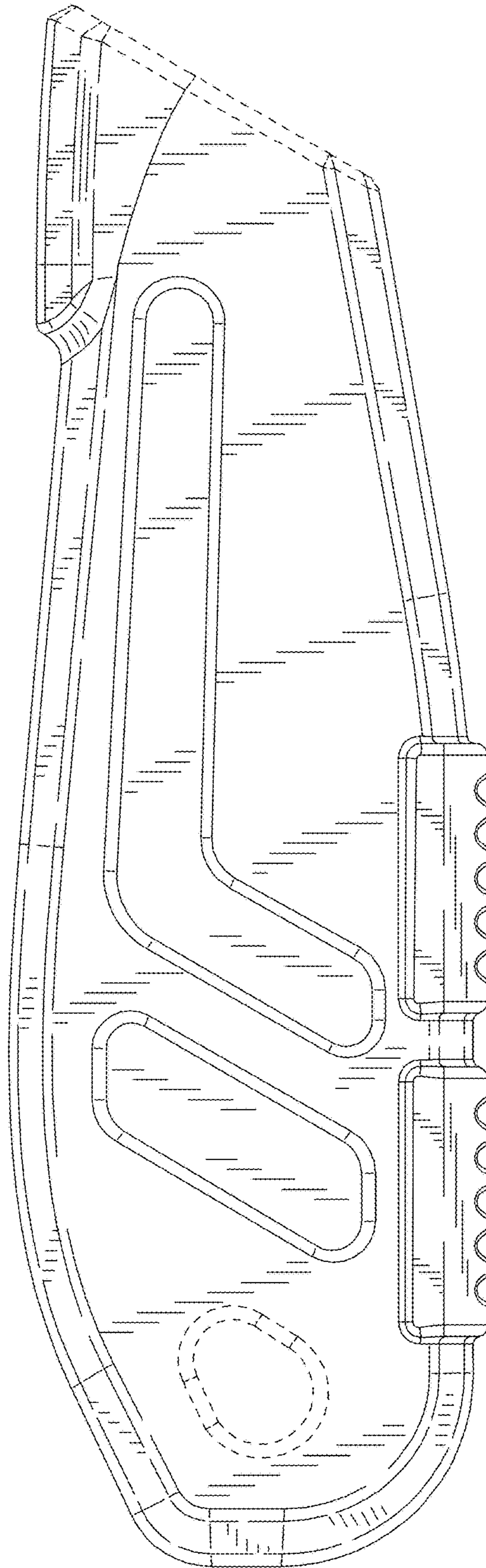


FIG. 3

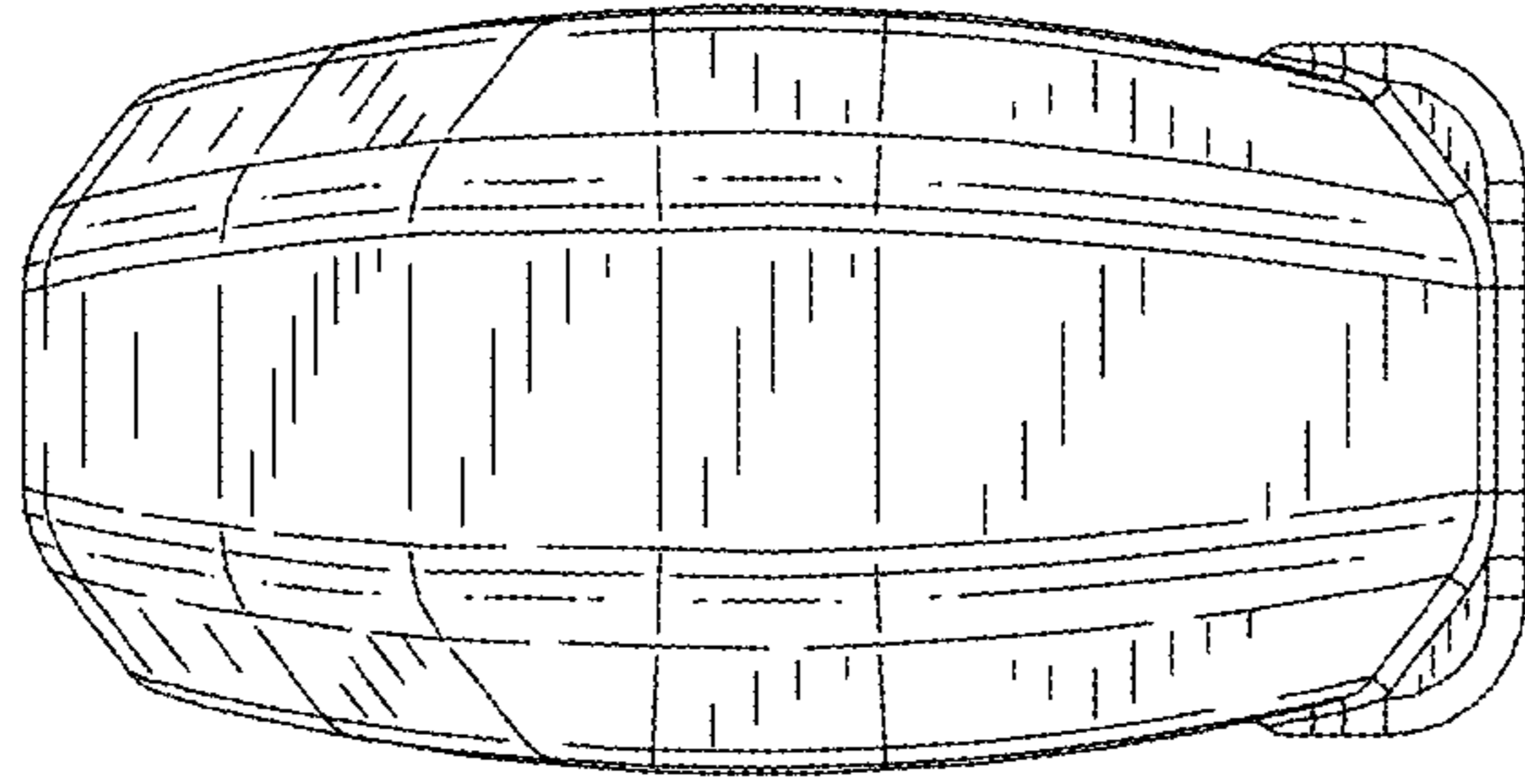


FIG. 5

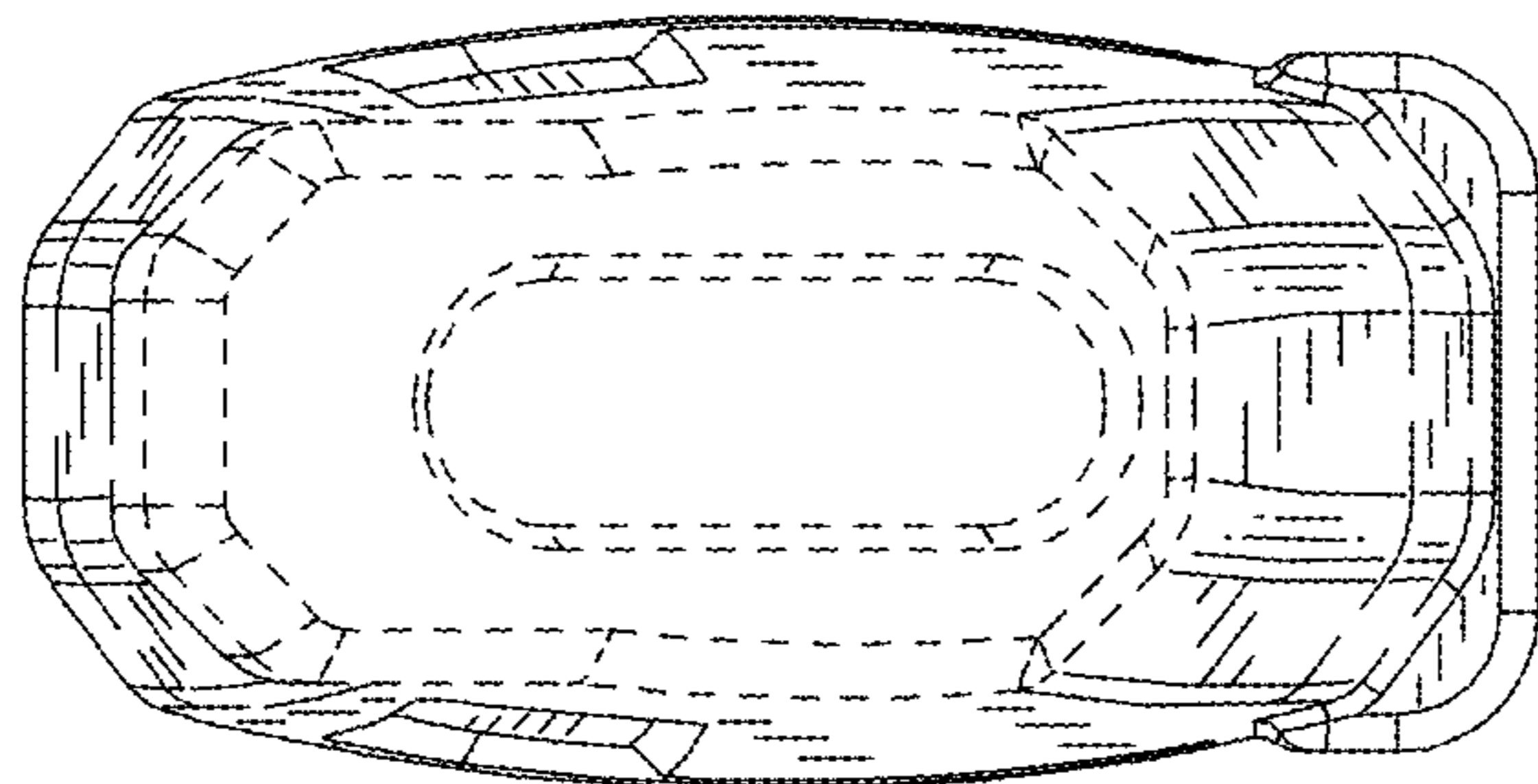


FIG. 4

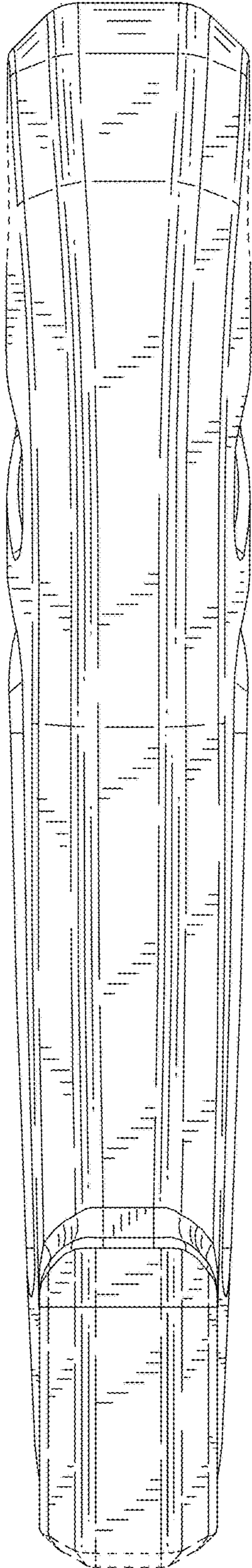


FIG. 6

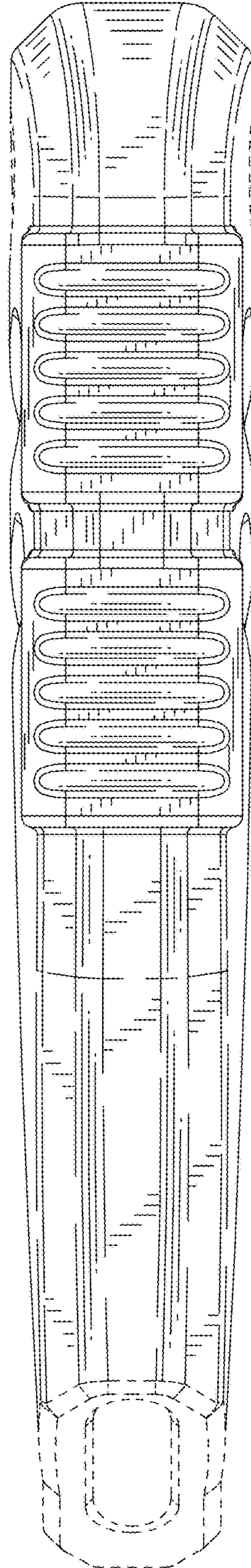


FIG. 7

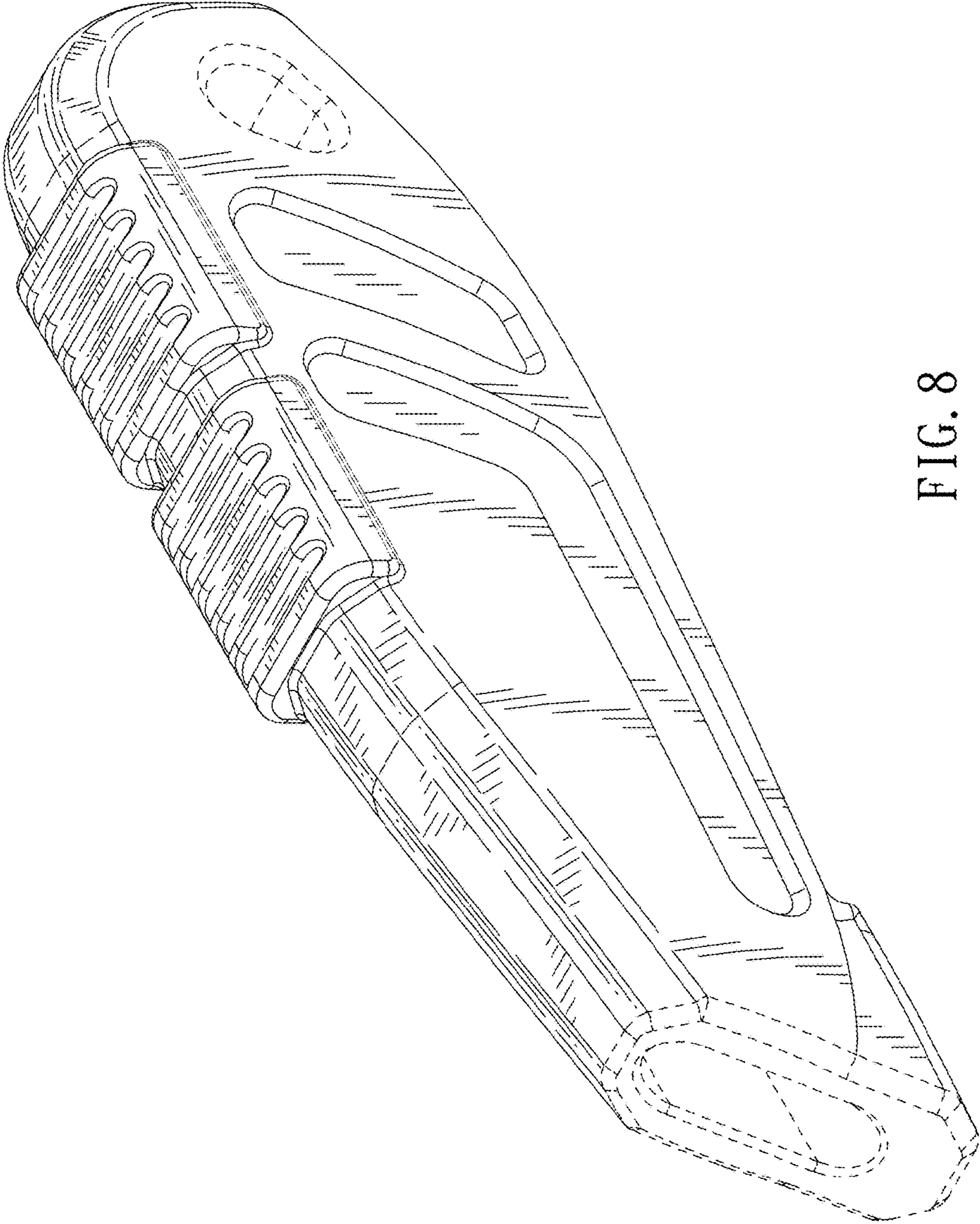


FIG. 8