



US00D807143S

(12) **United States Design Patent**  
**Constantine et al.**

(10) **Patent No.:** **US D807,143 S**  
(45) **Date of Patent:** **\*\* Jan. 9, 2018**

- (54) **FOLDING KNIFE**
- (71) Applicant: **ACME UNITED CORPORATION**,  
Fairfield, CT (US)
- (72) Inventors: **Richard Steven Constantine**, Monroe,  
CT (US); **Michael Cioffi**, Fairfield, CT  
(US); **Aaron Brookhart**, St. Louis, MO  
(US); **Jordan Westerberg**, St. Louis,  
MO (US); **Brandon Trostrud**, St.  
Louis, MO (US); **Brandon Hefer**, St.  
Louis, MO (US)
- (73) Assignee: **Acme United Corporation**, Fairfield,  
CT (US)
- (\*\*) Term: **15 Years**
- (21) Appl. No.: **29/590,914**
- (22) Filed: **Jan. 13, 2017**
- (51) **LOC (11) Cl.** ..... **08-03**
- (52) **U.S. Cl.**  
USPC ..... **D8/99**
- (58) **Field of Classification Search**  
USPC ..... D8/98, 99, 100, 105, 107; D22/118  
CPC .... B26B 1/00; B26B 1/02; B26B 1/04; B26B  
1/042; B26B 1/046; B26B 1/048; B26B  
1/08; B26B 1/10  
See application file for complete search history.

D613,574 S *	4/2010	Pohl	.....	D8/99
D636,051 S *	4/2011	Freeman	.....	D22/118
D653,520 S *	2/2012	Chang	.....	D8/99
8,291,597 B2 *	10/2012	Hawk	.....	B26B 1/048 30/155
8,464,382 B2 *	6/2013	Chu	.....	B26B 11/006 7/118
D750,948 S *	3/2016	Pelton	.....	D8/99
D784,485 S *	4/2017	Nawaz	.....	D22/118
2004/0020058 A1 *	2/2004	Vallotton	.....	B26B 1/044 30/160
2005/0044717 A1 *	3/2005	Nishihara	.....	B26B 1/04 30/161

\* cited by examiner

*Primary Examiner* — Philip S Hyder

(74) *Attorney, Agent, or Firm* — Bond Schoeneck &  
King, PLLC; George McGuire

(57) **CLAIM**

The ornamental design for a folding knife, as shown and described.

**DESCRIPTION**

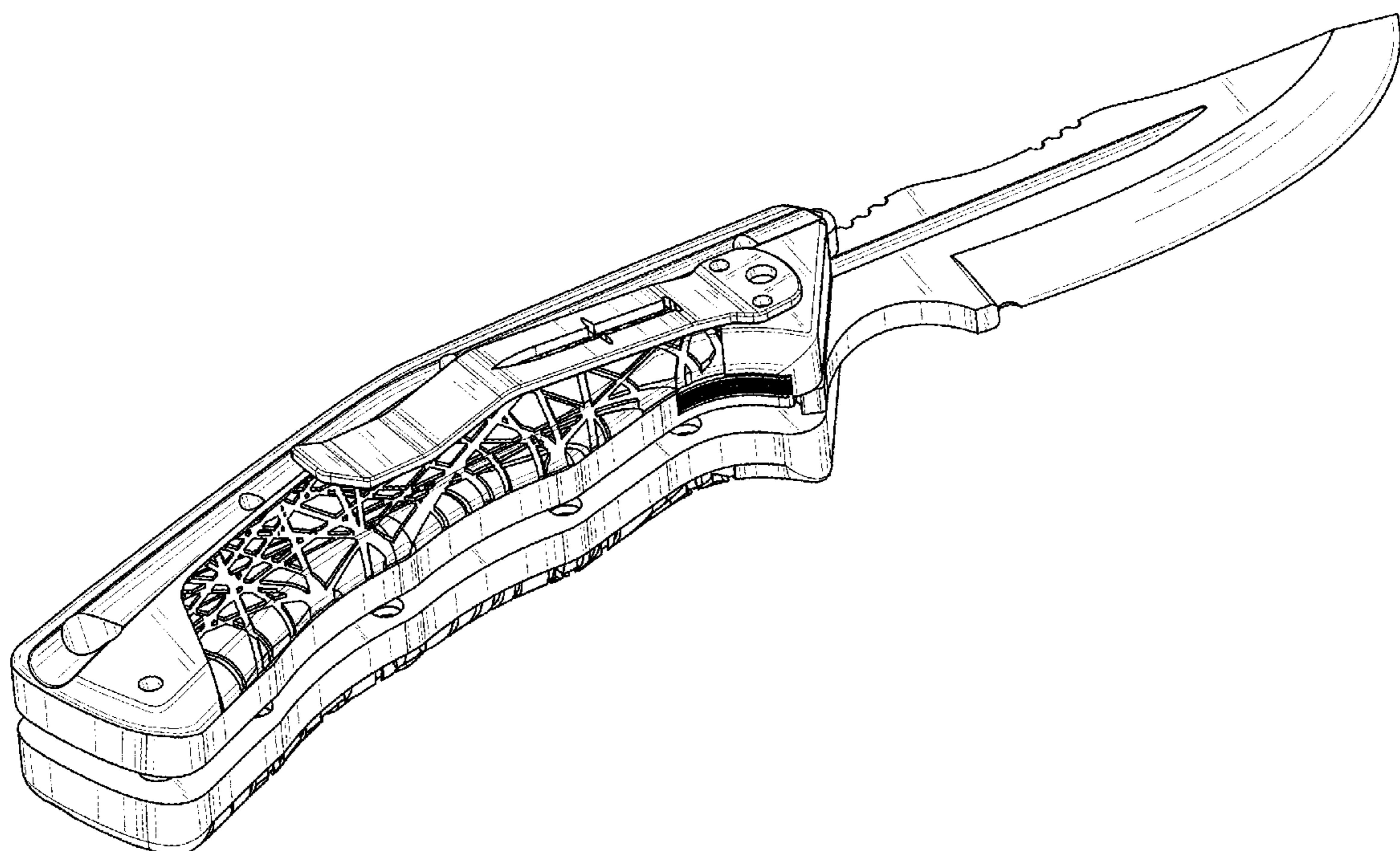
FIG. 1 is a perspective view of a folding knife showing our new design;  
FIG. 2 is a first side elevation view thereof;  
FIG. 3 is a second side elevation view thereof;  
FIG. 4 is a front elevation view thereof;  
FIG. 5 is a rear elevation view thereof;  
FIG. 6 is a top plan view thereof;  
FIG. 7 is a bottom plan view thereof; and,  
FIG. 8 is a second perspective view thereof.

**1 Claim, 6 Drawing Sheets**

(56) **References Cited**

U.S. PATENT DOCUMENTS

D348,599 S *	7/1994	Sakai	.....	D22/118
D599,641 S *	9/2009	Yang-Fu	.....	D8/99



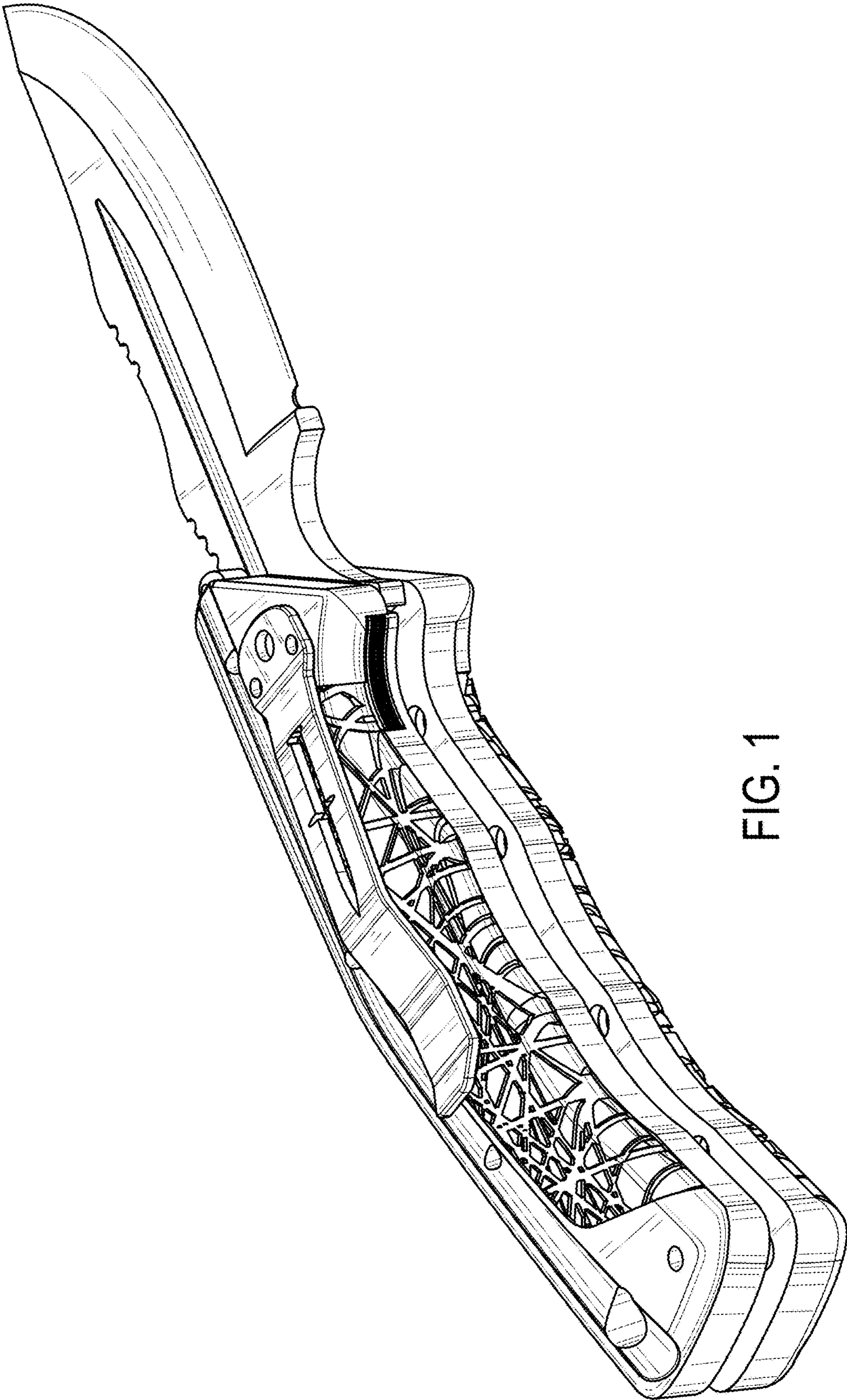


FIG. 1

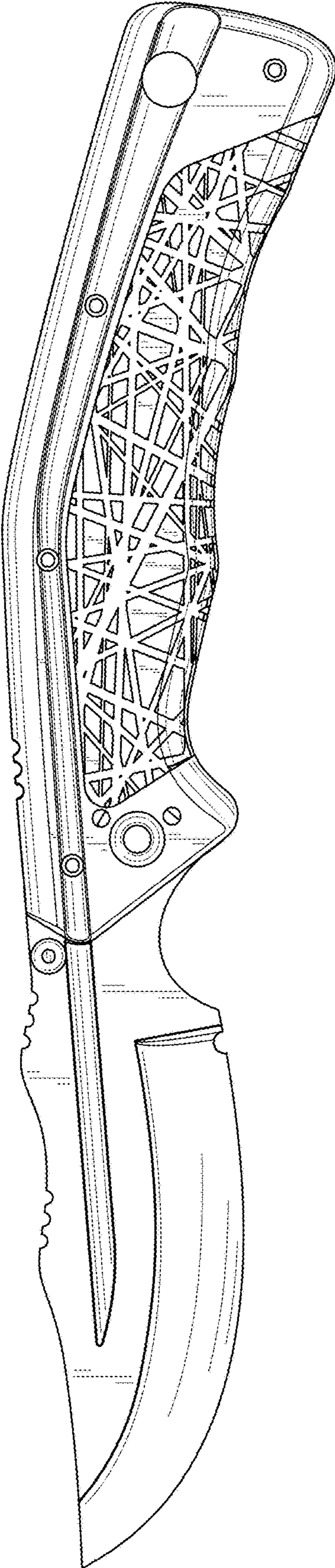


FIG. 2

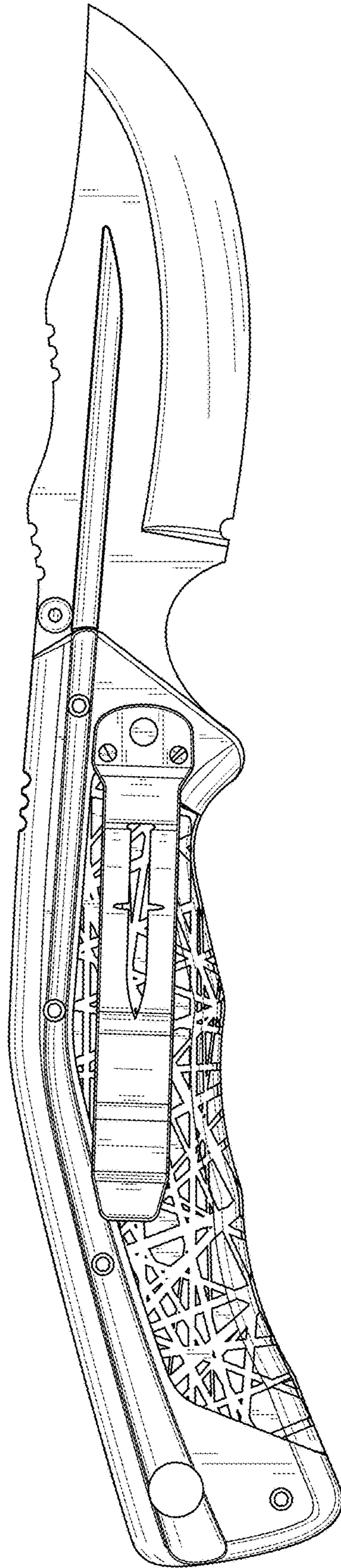


FIG. 3

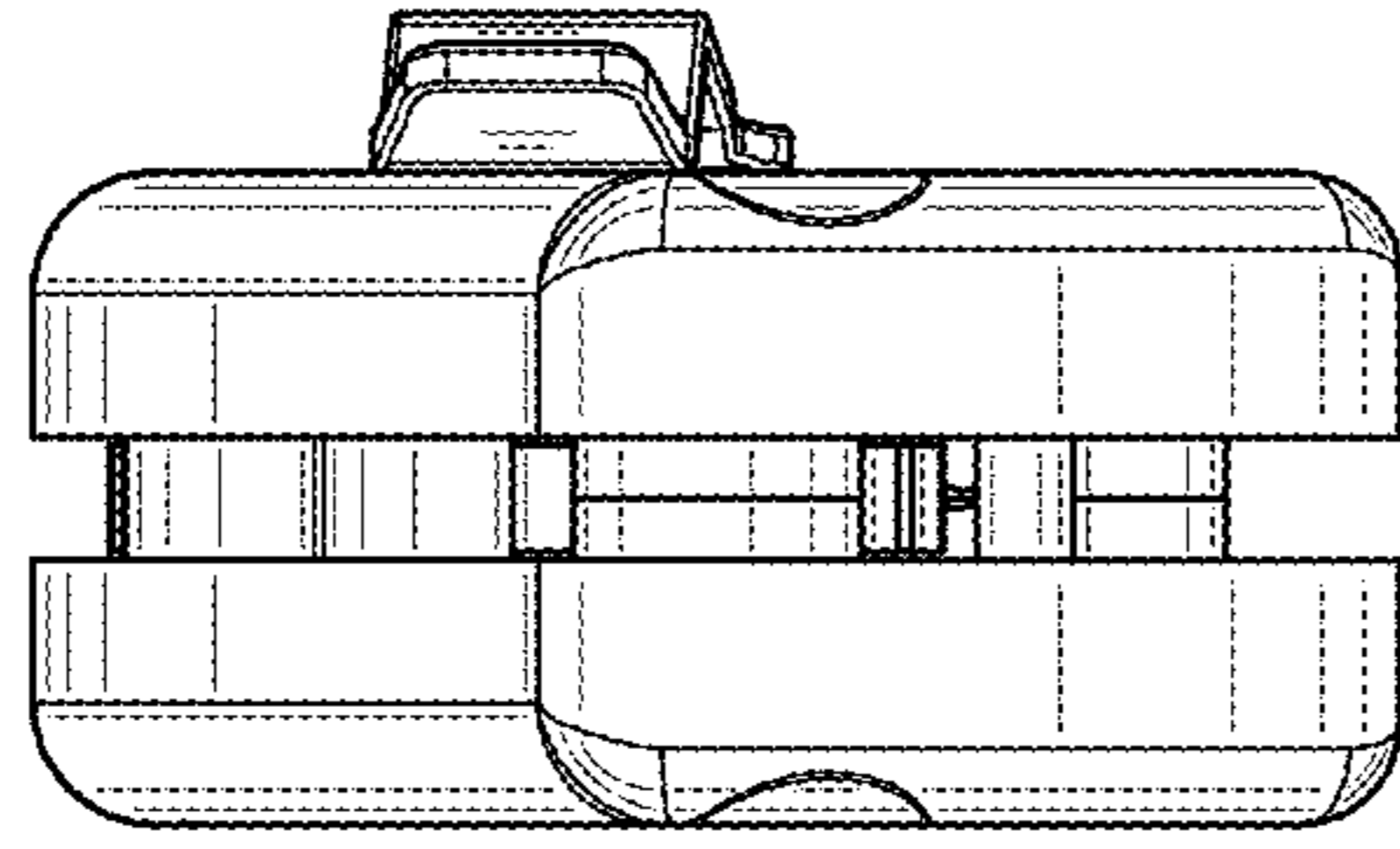


FIG. 5

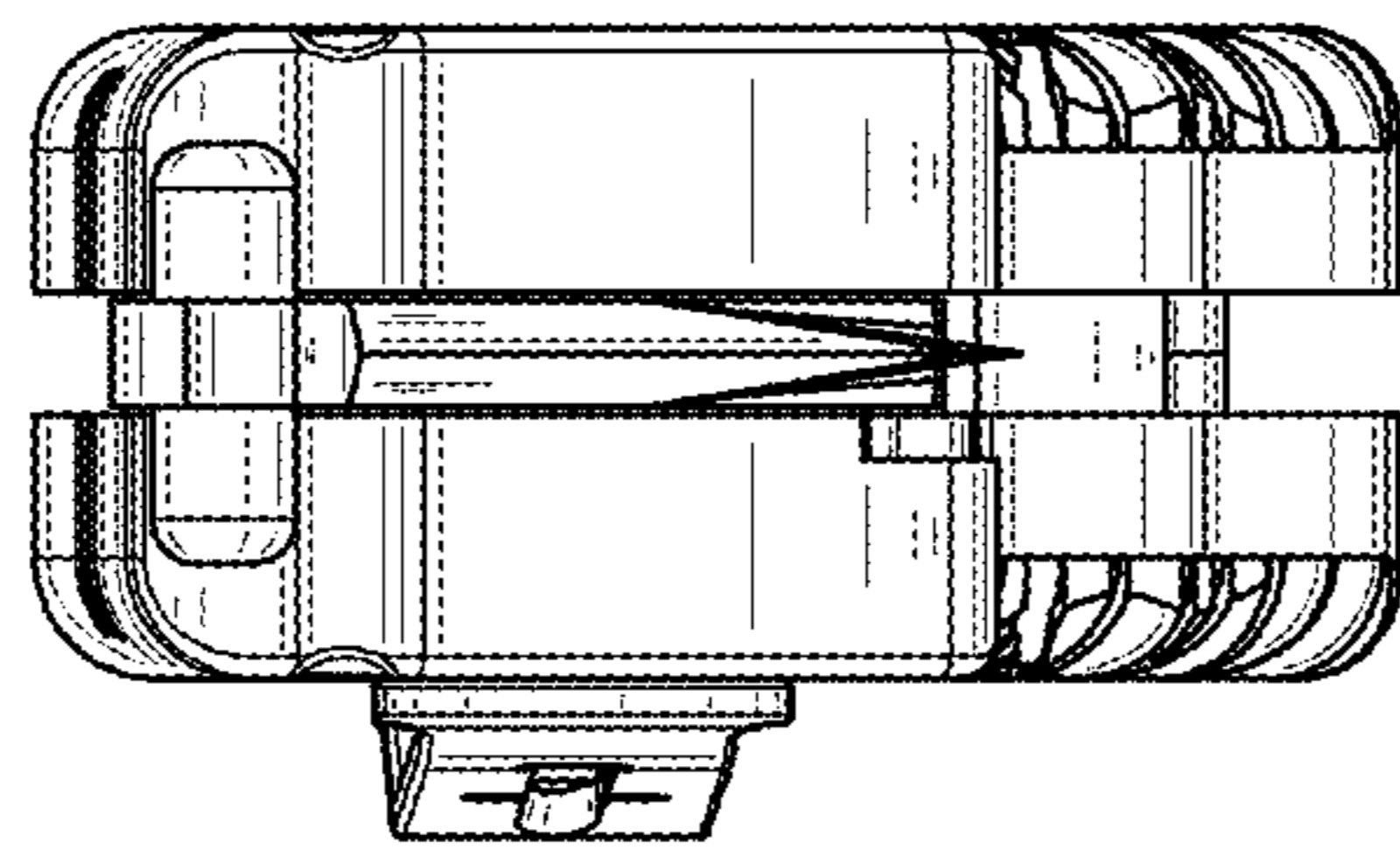


FIG. 4

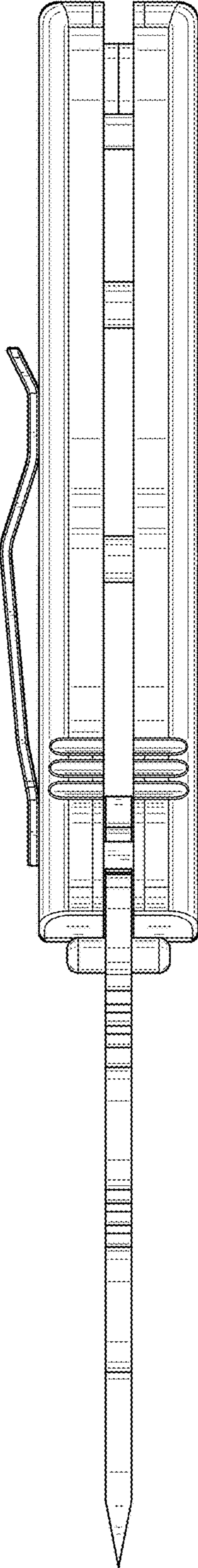


FIG. 6

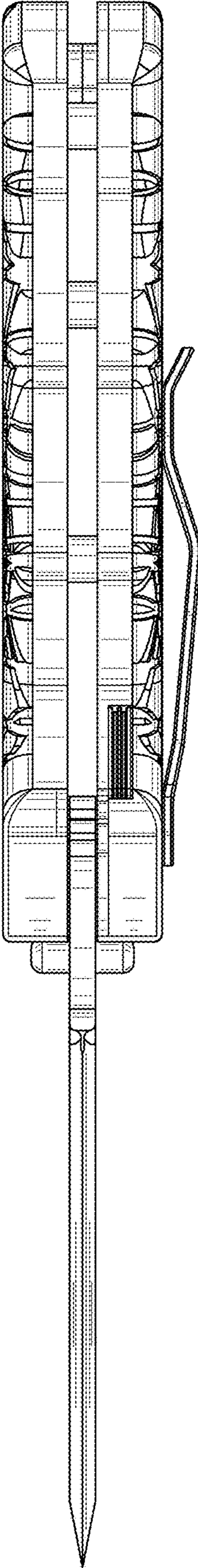


FIG. 7

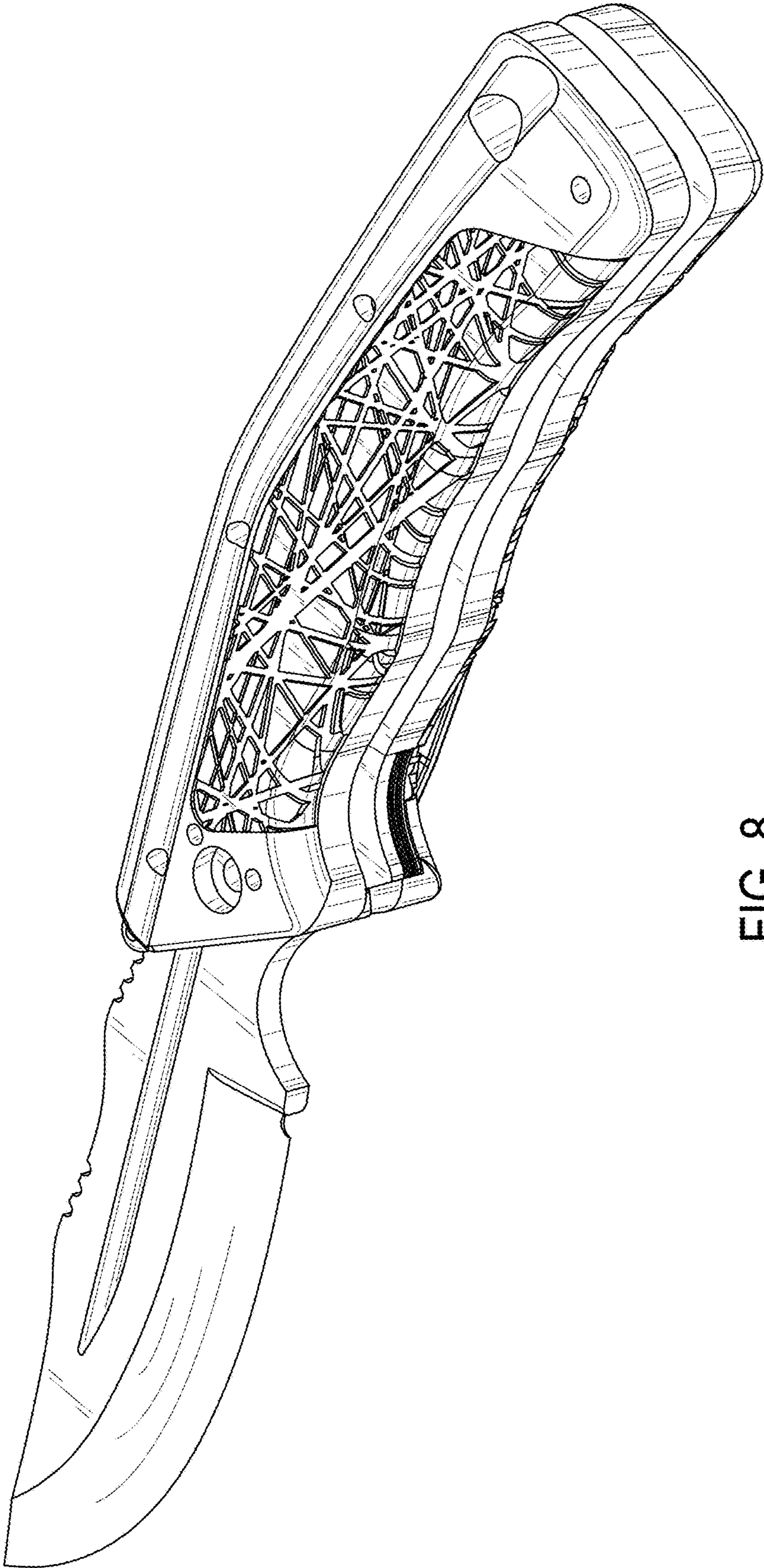


FIG. 8