



US00D807141S

(12) **United States Design Patent**
Juranitch et al.

(10) **Patent No.: US D807,141 S**

(45) **Date of Patent: ** Jan. 9, 2018**

(54) **SCISSORS SHARPENING DEVICE**

(71) Applicant: **Razor Edge Systems, Inc.**, Ely, MN
(US)

(72) Inventors: **Joseph C. Juranitch**, Babbitt, MN
(US); **John R. Juranitch**, Ely, MN
(US)

(73) Assignee: **Razor Edge Systems, Inc.**, Ely, MN
(US)

(**) Term: **15 Years**

(21) Appl. No.: **29/529,224**

(22) Filed: **Jun. 4, 2015**

(51) **LOC (11) Cl.** **08-05**

(52) **U.S. Cl.**
USPC **D8/93**

(58) **Field of Classification Search**
USPC D8/51, 63, 90-94; 76/82, 84, 86-89;
451/552, 555-558

CPC B24B 3/36; B24B 3/38; B24B 3/52; B24B
3/546; B24B 3/58; B24B 21/002; B24B
41/02; B24B 41/066; B24B 27/0076;
B62B 5/005; B62B 27/00; B24D 15/06;
B24D 15/063; B24D 15/065

See application file for complete search history.

(56) **References Cited**

U.S. PATENT DOCUMENTS

1,472,760	A *	10/1923	Jones	B24B 3/52	451/163
1,556,432	A *	10/1925	Fleming	B24B 3/52	451/164
1,660,206	A *	2/1928	Ortlieb	B24D 15/063	76/82.2
1,681,763	A *	8/1928	Eaton	B24D 15/063	451/369
1,781,967	A *	11/1930	Baltzell	B24D 15/063	76/82.2

1,806,234	A *	5/1931	Boyd	B24D 15/063	76/36
1,817,506	A *	8/1931	Brisben	B24D 15/063	76/82.2
1,839,541	A *	1/1932	Fedt, Jr.	B24D 15/063	451/370
2,265,577	A *	12/1941	Rains	B24D 15/063	76/82.2
2,528,943	A *	11/1950	Calabrese	B24D 15/063	451/175
2,718,099	A *	9/1955	Thompson	B24D 15/063	451/321

(Continued)

OTHER PUBLICATIONS

Razor Edge Systems brochure for "Scissor Saver" scissors sharpener product (2013).

Primary Examiner — Philip S Hyder

Assistant Examiner — Roselynn Cody

(74) *Attorney, Agent, or Firm* — DeWitt Ross & Stevens
SC

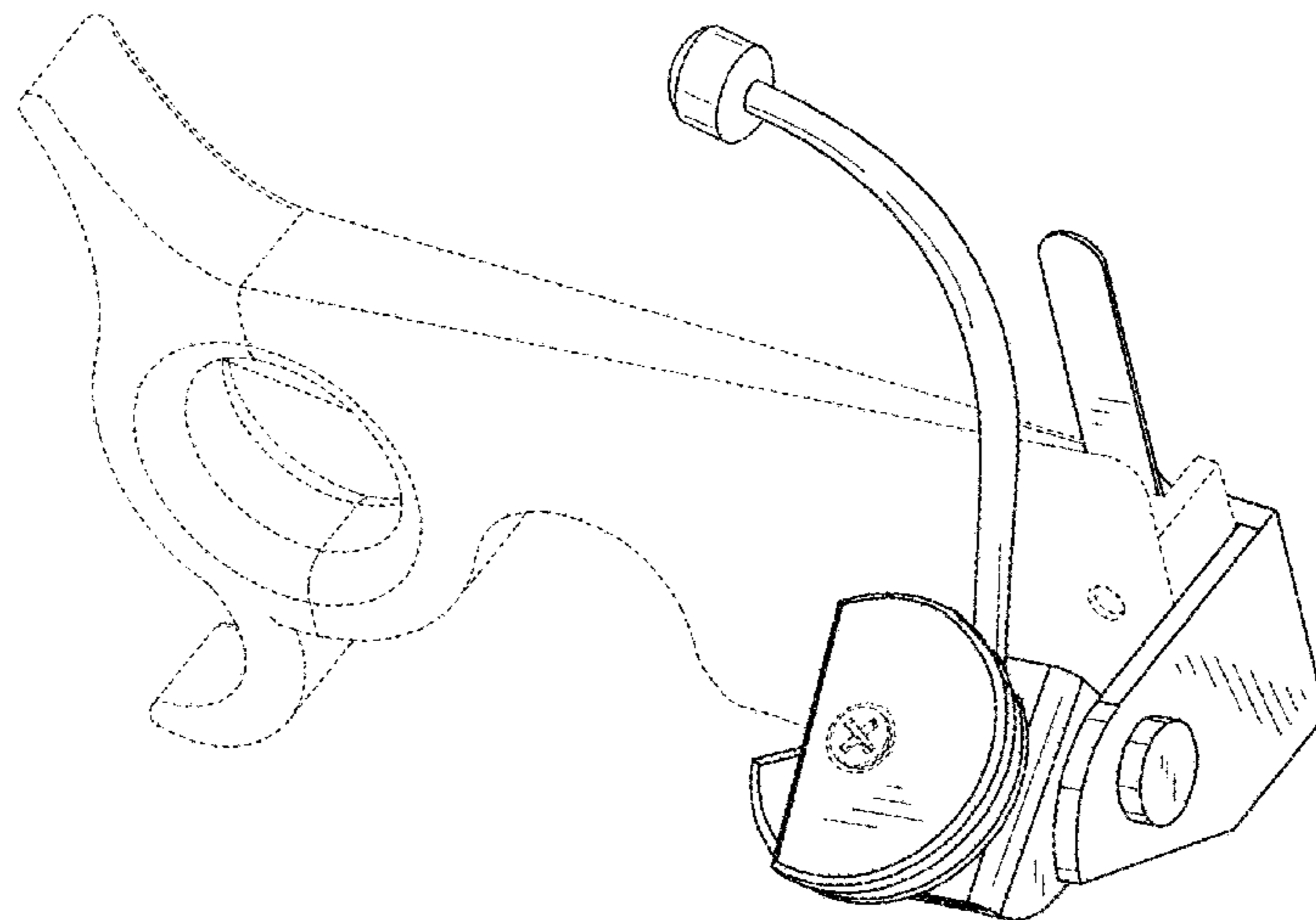
(57) **CLAIM**

We claim the ornamental design for a scissors sharpening device, as shown and described.

DESCRIPTION

FIG. 1 is a perspective view of an embodiment of a scissors sharpening device of the present invention; FIG. 2 is a top plan view thereof; FIG. 3 is a bottom plan view thereof; FIG. 4 is a left-side elevational view thereof; FIG. 5 is a right-side elevational view thereof; FIG. 6 is a front elevational view thereof; and, FIG. 7 is a rear elevational view thereof. The broken lines shown in the drawings illustrate portions of the scissors sharpening device that form no part of the claim.

1 Claim, 7 Drawing Sheets



(56)

References Cited

U.S. PATENT DOCUMENTS

2,753,666 A *	7/1956	Sasse	B24B 3/38	5,195,275 A *	3/1993	McLean	B24D 15/06
			451/224				269/160
2,813,384 A *	11/1957	Deputy	B24D 15/063	5,245,791 A *	9/1993	Bigliano	B24B 3/546
			451/555				451/282
3,131,518 A *	5/1964	Benton	B24D 15/063	5,291,690 A *	3/1994	Pike	B24B 41/066
			451/493				269/262
3,254,456 A *	6/1966	Clark	B24D 15/065	5,438,757 A *	8/1995	Weschenfelder	B26B 5/005
			451/555				30/139
3,353,427 A *	11/1967	Moore	B24D 15/063	5,941,763 A *	8/1999	Kaye	B24B 3/36
			76/82.2				269/262
3,574,268 A *	4/1971	Buse	B24B 41/02	D442,456 S *	5/2001	Killins	D8/88
			451/224	D453,290 S *	2/2002	Huang	D8/91
3,755,971 A *	9/1973	Garcia	B24B 3/52	D487,691 S *	3/2004	Huang	D8/91
			451/224	7,959,494 B1 *	6/2011	Pietrzak	B24B 3/52
3,879,899 A *	4/1975	Ribar	B24B 3/58				451/293
			269/160	D686,895 S	7/2013	Juranitch	
3,942,394 A	3/1976	Juranitch		8,784,162 B1 *	7/2014	Dovel	B24B 3/54
4,048,760 A *	9/1977	Gangelhoff	B24B 3/52				451/303
			451/267	D744,805 S *	12/2015	Cavanaugh	D8/93
4,216,627 A *	8/1980	Westrom	B24D 15/063	2003/0186633 A1 *	10/2003	Kaye	B24B 3/00
			451/175				451/294
4,528,778 A *	7/1985	Wolff	B24B 27/0076	2004/0219868 A1 *	11/2004	Ikegaki	B24B 3/54
			451/224				451/185
4,532,736 A *	8/1985	Shinneman, Jr.	B24B 3/52	2005/0090184 A1 *	4/2005	Zhang	B24B 41/06
			269/243				451/5
4,607,459 A *	8/1986	Rees	B24B 3/36	2006/0111027 A1 *	5/2006	Laney	B24B 41/06
			248/302				451/293
4,964,241 A *	10/1990	Conklin	B24B 21/002	2010/0203810 A1 *	8/2010	Parrish	B24B 3/52
			451/241				451/45
5,148,634 A *	9/1992	Bigliano	B24B 3/546	2011/0136413 A1 *	6/2011	Borsch	B24B 3/52
			269/224				451/278
5,157,870 A *	10/1992	Pike	B24B 41/066	2014/0113529 A1 *	4/2014	Wittenborn	B24B 3/36
			269/262				451/28
				2014/0273761 A1 *	9/2014	Arndt	B24B 3/36
							451/48

* cited by examiner

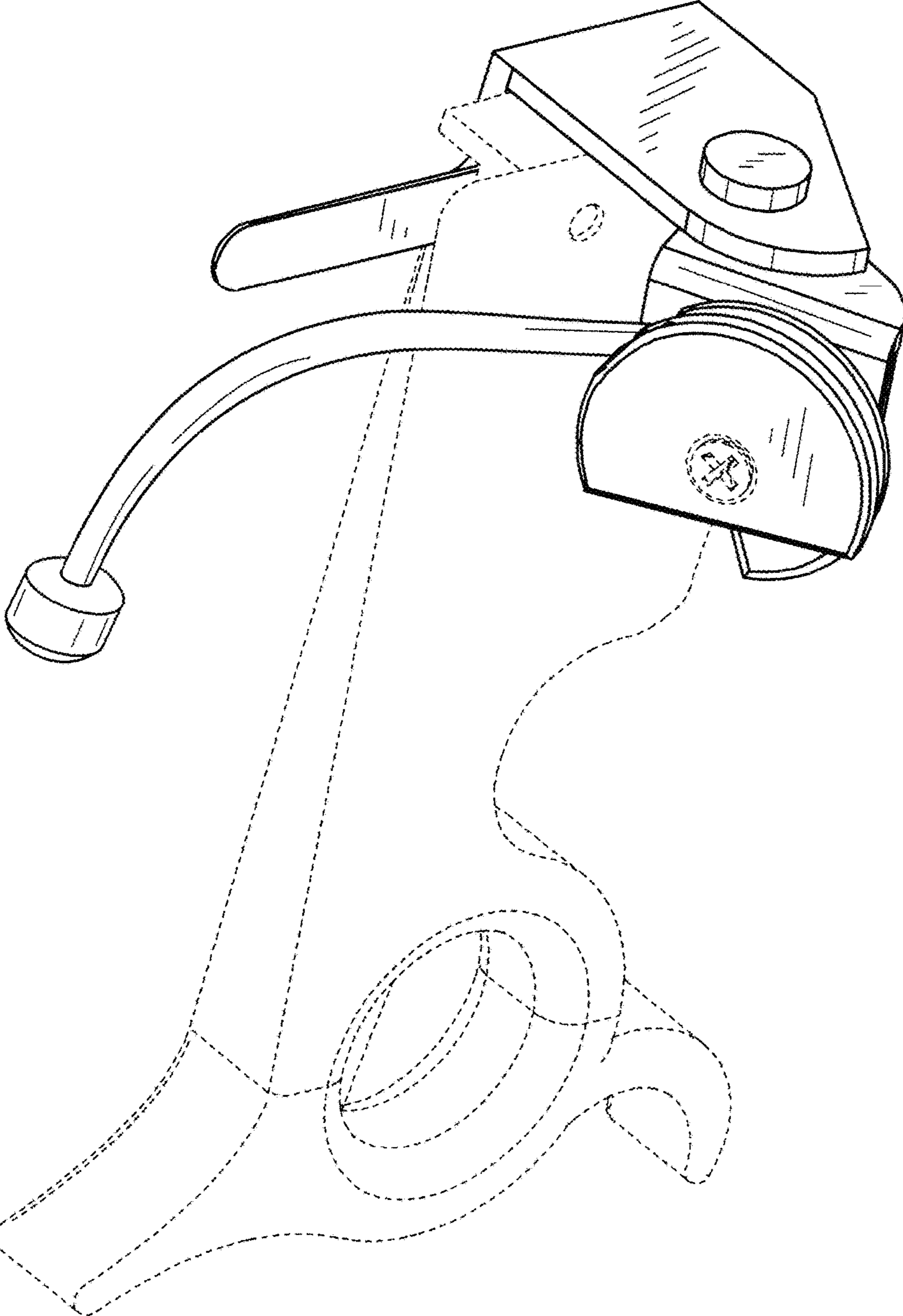


FIG. 1

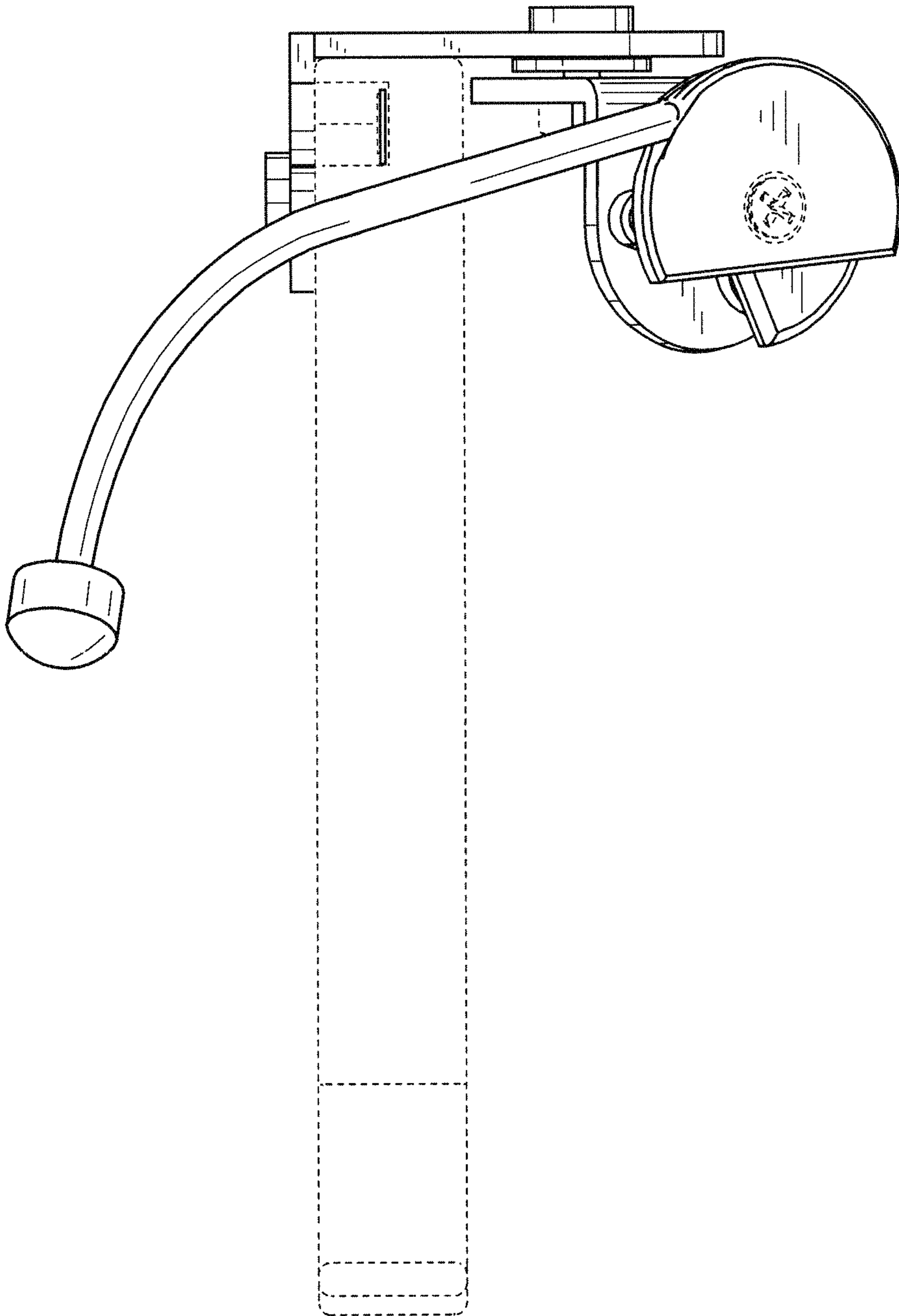


FIG. 2

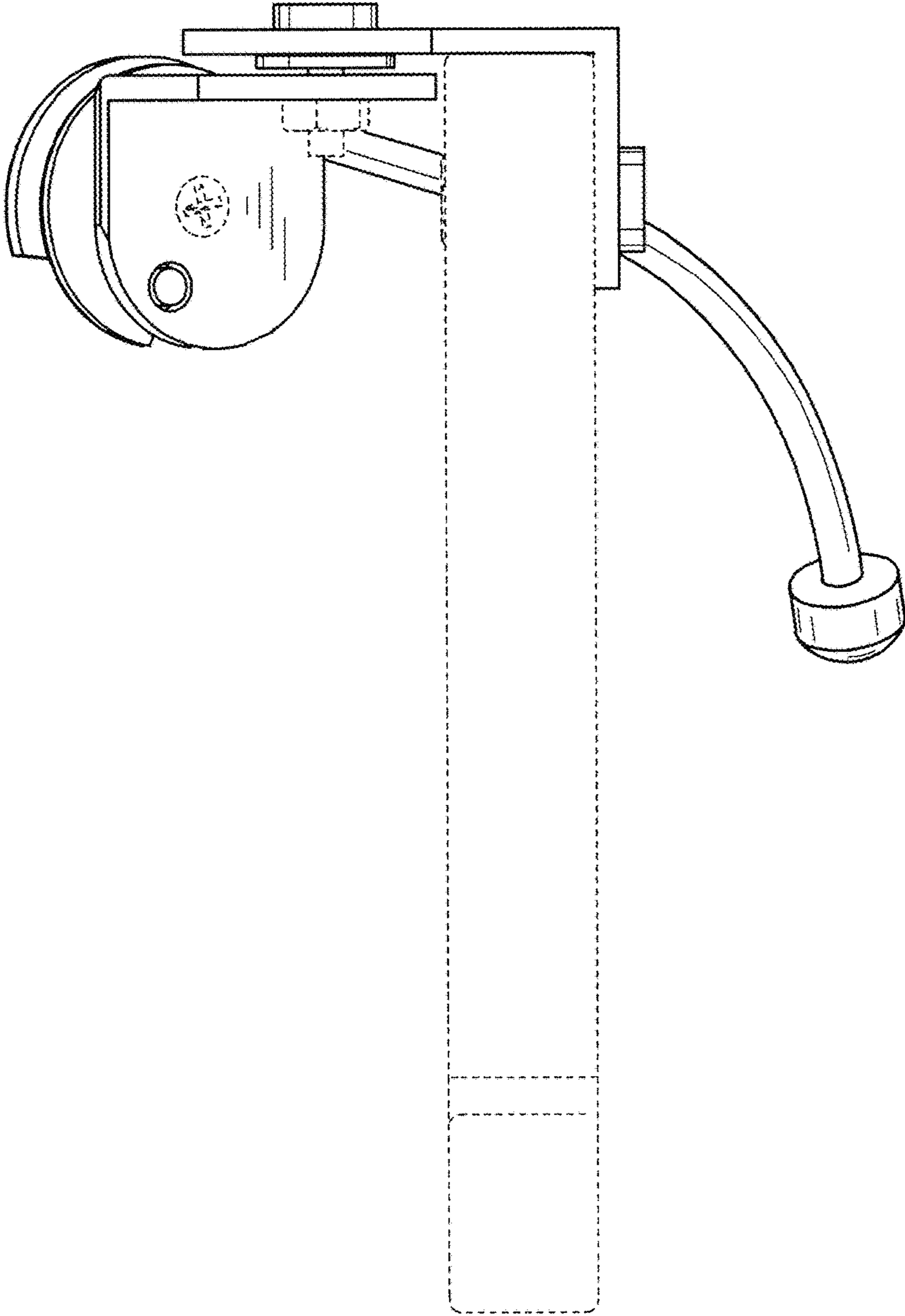


FIG. 3

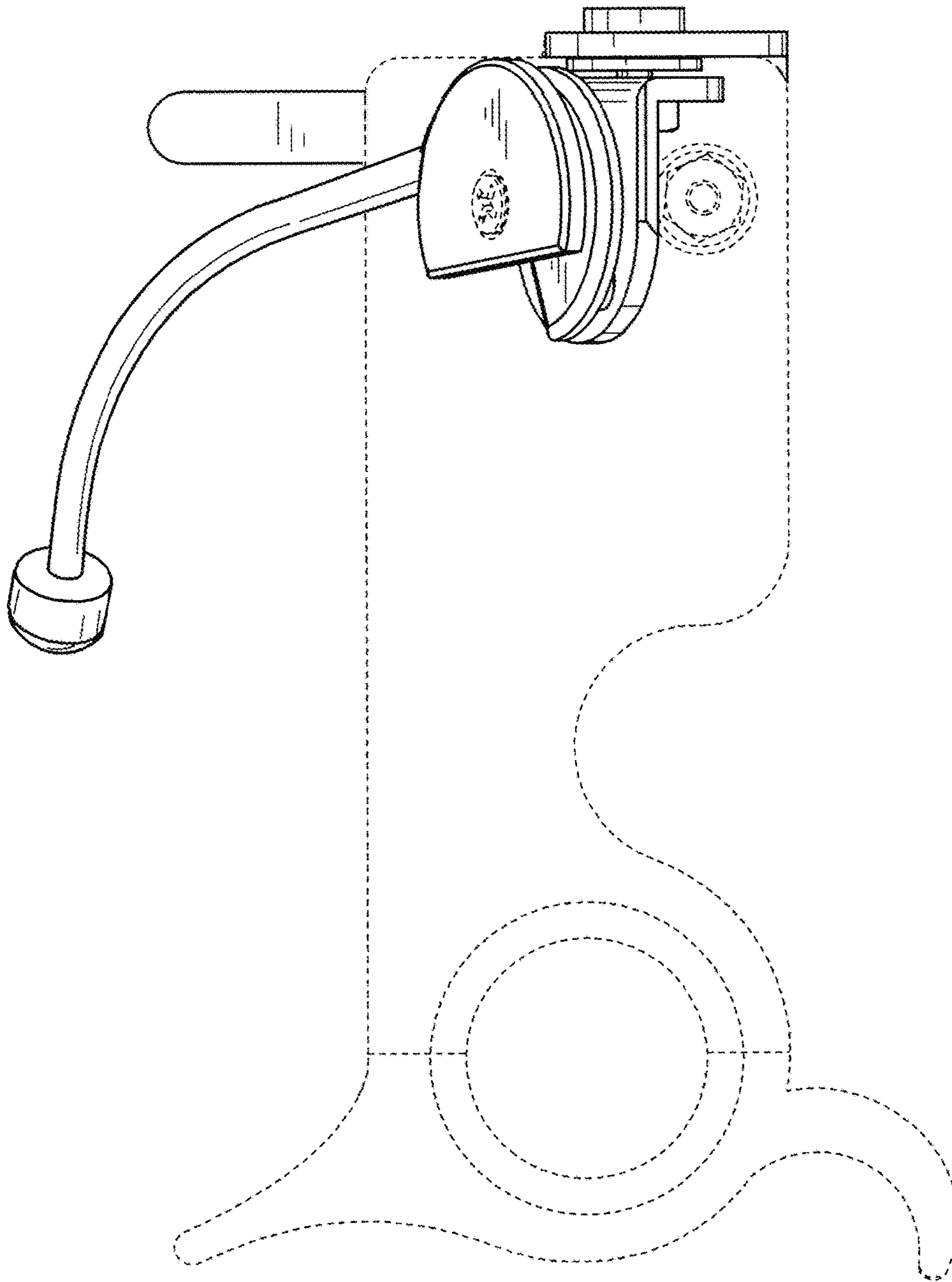


FIG. 4

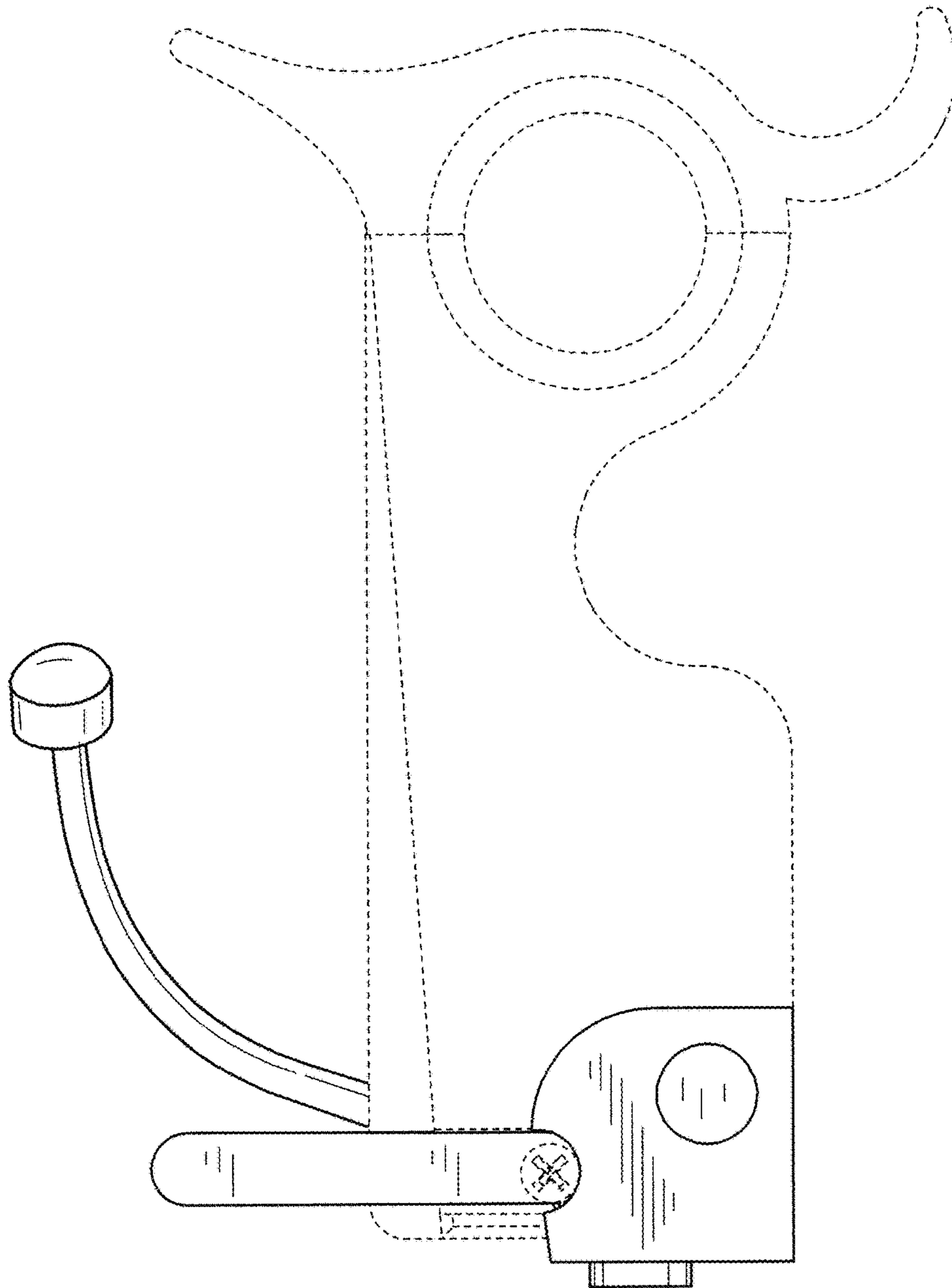


FIG. 5

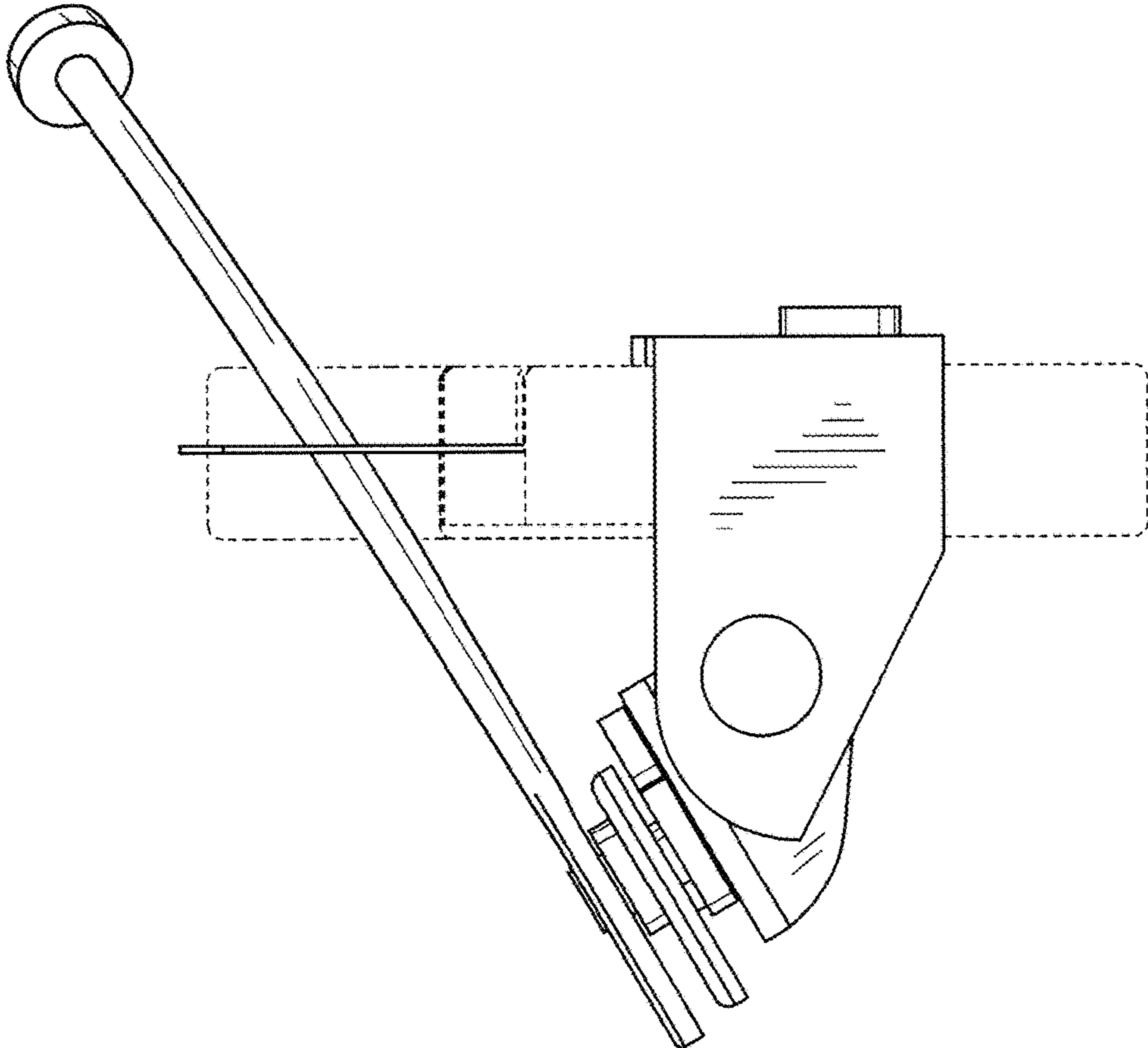


FIG. 6

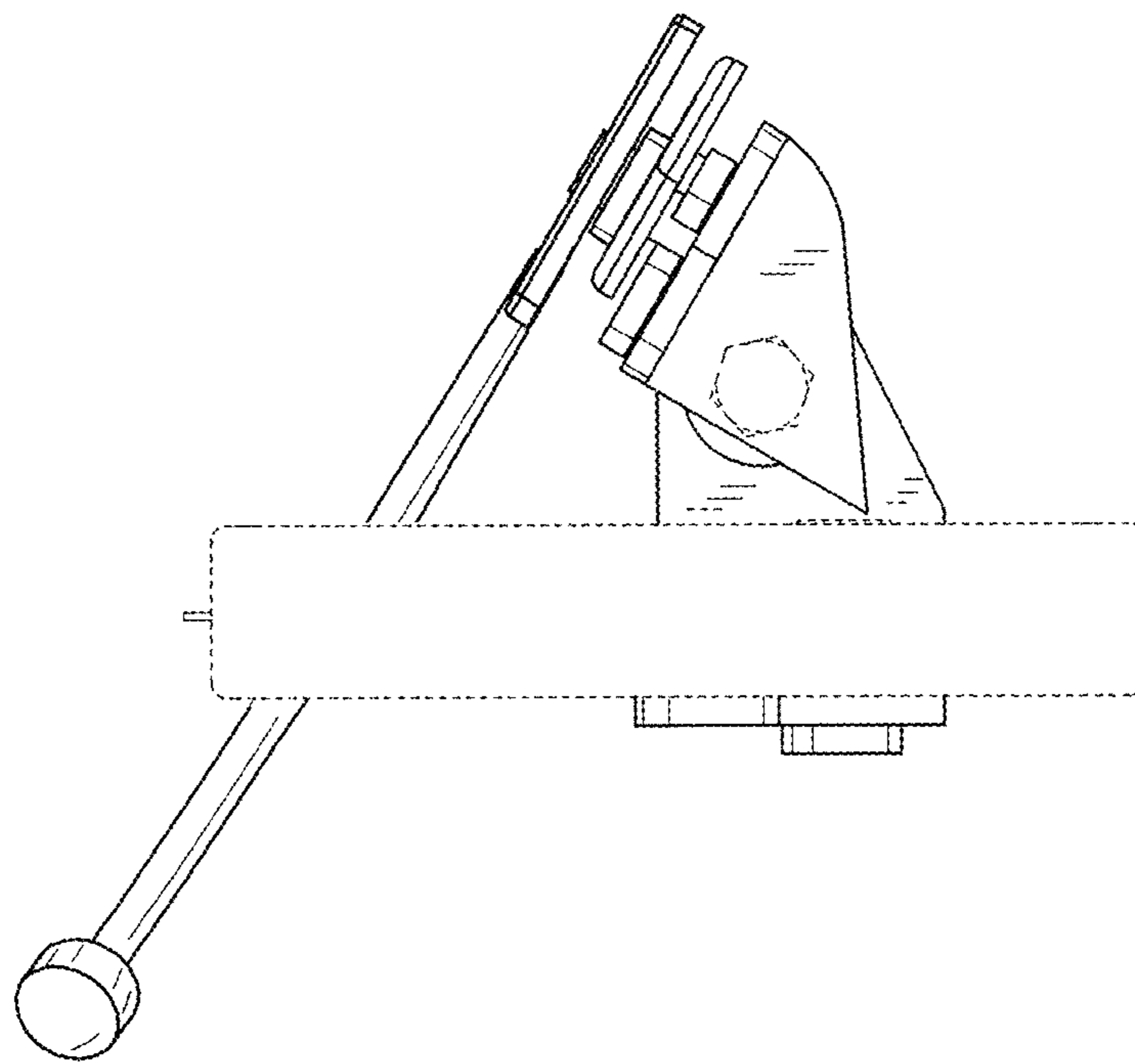


FIG. 7