

US00D807140S

(12) **United States Design Patent**  
**Juranitch et al.**

(10) **Patent No.:** **US D807,140 S**  
(45) **Date of Patent:** **\*\* Jan. 9, 2018**

(54) **SCISSORS SHARPENING DEVICE**

(71) Applicant: **Razor Edge Systems, Inc.**, Ely, MN  
(US)

(72) Inventors: **Joseph C. Juranitch**, Babbitt, MN  
(US); **John R. Juranitch**, Ely, MN  
(US)

(73) Assignee: **Razor Edge Systems, Inc.**, Ely, MN  
(US)

(\*\*) Term: **15 Years**

(21) Appl. No.: **29/528,674**

(22) Filed: **May 29, 2015**

(51) **LOC (11) Cl.** ..... **08-05**

(52) **U.S. Cl.**  
USPC ..... **D8/93**

(58) **Field of Classification Search**  
USPC ..... D8/51, 63, 90-94; 76/82, 84, 86-89;  
451/552, 555-558

CPC .... B24B 3/36; B24B 3/38; B24B 3/52; B24B  
3/54; B24B 3/546; B24B 3/58; B24B  
21/002; B24B 41/02; B24B 41/066; B24B  
27/0076; B26B 5/005; B26B 27/00;  
B24D 15/06; B24D 15/063; B24D 15/065

See application file for complete search history.

(56) **References Cited**

**U.S. PATENT DOCUMENTS**

1,472,760 A \* 10/1923 Jones ..... B24B 3/52  
451/163  
1,556,432 A \* 10/1925 Fleming ..... B24B 3/52  
451/164  
1,660,206 A \* 2/1928 Ortlieb ..... B24D 15/063  
76/82.2  
1,681,763 A \* 8/1928 Eaton ..... B24D 15/063  
451/369  
1,781,967 A \* 11/1930 Baltzell ..... B24D 15/063  
76/82.2

1,806,234 A \* 5/1931 Boyd ..... B24D 15/063  
76/36  
1,817,506 A \* 8/1931 Brisben ..... B24D 15/063  
76/82.2  
1,839,541 A \* 1/1932 Fedt, Jr. .... B24D 15/063  
451/370  
2,265,577 A \* 12/1941 Rains ..... B24D 15/063  
76/82.2  
2,528,943 A \* 11/1950 Calabrese ..... B24D 15/063  
451/175  
2,718,099 A \* 9/1955 Thompson ..... B24D 15/063  
451/321

(Continued)

**OTHER PUBLICATIONS**

Razor Edge Systems brochure for "Scissor Saver" scissors sharpener product (2013).

*Primary Examiner* — Philip S Hyder

*Assistant Examiner* — Roselynn Cody

(74) *Attorney, Agent, or Firm* — DeWitt Ross & Stevens  
S.C.

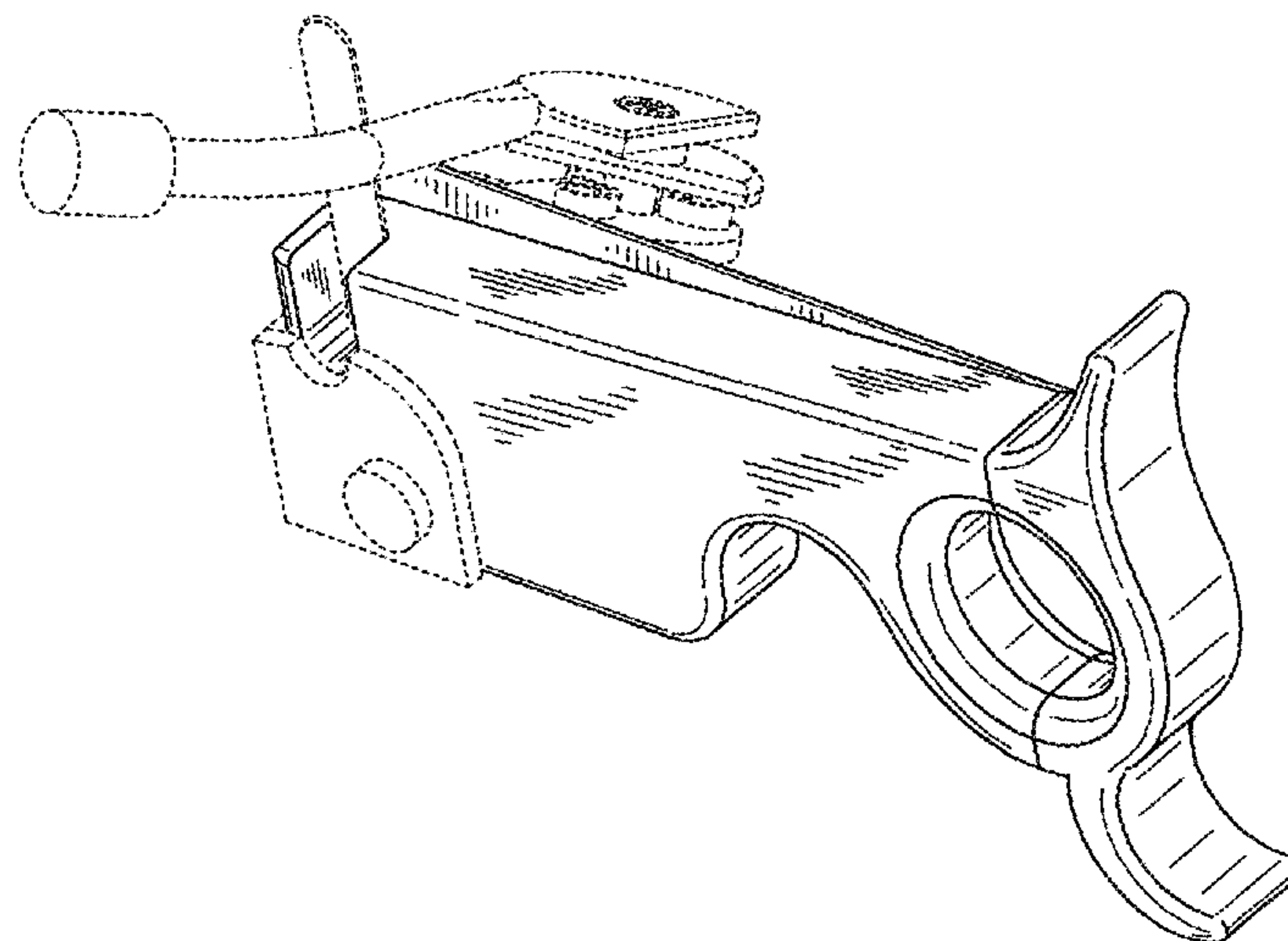
(57) **CLAIM**

We claim the ornamental design for a scissors sharpening device, as shown and described.

**DESCRIPTION**

FIG. 1 is a perspective view of an embodiment of a scissors sharpening device of the present invention; FIG. 2 is a top plan view thereof; FIG. 3 is a bottom plan view thereof; FIG. 4 is a left-side elevational view thereof; FIG. 5 is a right-side elevational view thereof; FIG. 6 is a front elevational view thereof; and, FIG. 7 is a rear elevational view thereof. The broken lines shown in the drawings illustrate portions of the scissors sharpening device that form no part of the claim.

**1 Claim, 7 Drawing Sheets**



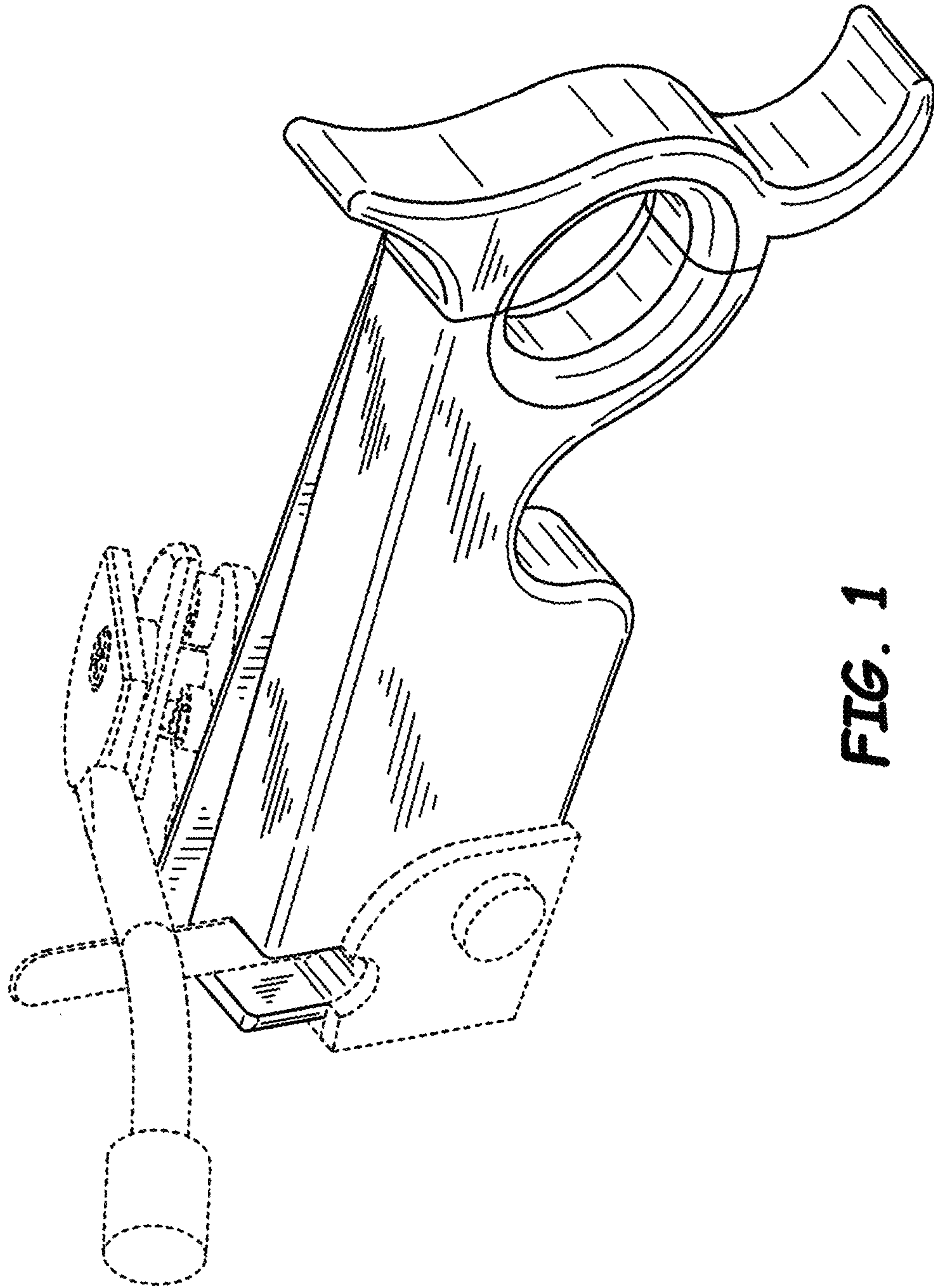
(56)

References Cited

U.S. PATENT DOCUMENTS

2,753,666 A *	7/1956	Sasse	.....	B24B 3/38	451/224	5,195,275 A *	3/1993	McLean	.....	B24D 15/06	269/160
2,813,384 A *	11/1957	Deputy	.....	B24D 15/063	451/555	5,245,791 A *	9/1993	Bigliano	.....	B24B 3/546	451/282
3,131,518 A *	5/1964	Benton	.....	B24D 15/063	451/493	5,291,690 A *	3/1994	Pike	.....	B24B 41/066	269/262
3,254,456 A *	6/1966	Clark	.....	B24D 15/065	451/555	5,438,757 A *	8/1995	Weschenfelder	.....	B26B 5/005	30/139
3,353,427 A *	11/1967	Moore	.....	B24D 15/063	76/82.2	5,941,763 A *	8/1999	Kaye	.....	B24B 3/36	269/262
3,574,268 A *	4/1971	Buse	.....	B24B 41/02	451/224	D442,456 S *	5/2001	Killins	.....	D8/88	
3,755,971 A *	9/1973	Garcia	.....	B24B 3/52	451/224	D453,290 S *	2/2002	Huang	.....	D8/91	
3,879,899 A *	4/1975	Ribar	.....	B24B 3/58	269/160	D487,691 S *	3/2004	Huang	.....	D8/91	
3,942,394 A	3/1976	Juranitch				7,959,494 B1 *	6/2011	Pietrzak	.....	B24B 3/52	451/293
4,048,760 A *	9/1977	Gangelhoff	.....	B24B 3/52	451/267	D686,895 S	7/2013	Juranitch			
4,216,627 A *	8/1980	Westrom	.....	B24D 15/063	451/175	8,784,162 B1 *	7/2014	Dovel	.....	B24B 3/54	451/303
4,528,778 A *	7/1985	Wolff	.....	B24B 27/0076	451/224	D744,805 S *	12/2015	Cavanaugh	.....	D8/93	
4,532,736 A *	8/1985	Shinneman, Jr.	.....	B24B 3/52	269/243	2003/0186633 A1 *	10/2003	Kaye	.....	B24B 3/00	451/294
4,607,459 A *	8/1986	Rees	.....	B24B 3/36	248/302	2004/0219868 A1 *	11/2004	Ikegaki	.....	B24B 3/54	451/185
4,964,241 A *	10/1990	Conklin	.....	B24B 21/002	451/241	2005/0090184 A1 *	4/2005	Zhang	.....	B24B 41/06	451/5
5,148,634 A *	9/1992	Bigliano	.....	B24B 3/546	269/224	2006/0111027 A1 *	5/2006	Laney	.....	B24B 41/06	451/293
5,157,870 A *	10/1992	Pike	.....	B24B 41/066	269/262	2010/0203810 A1 *	8/2010	Parrish	.....	B24B 3/52	451/45
						2011/0136413 A1 *	6/2011	Borsch	.....	B24B 3/52	451/278
						2014/0113529 A1 *	4/2014	Wittenborn	.....	B24B 3/36	451/28
						2014/0273761 A1 *	9/2014	Arndt	.....	B24B 3/36	451/48

\* cited by examiner



**FIG. 1**

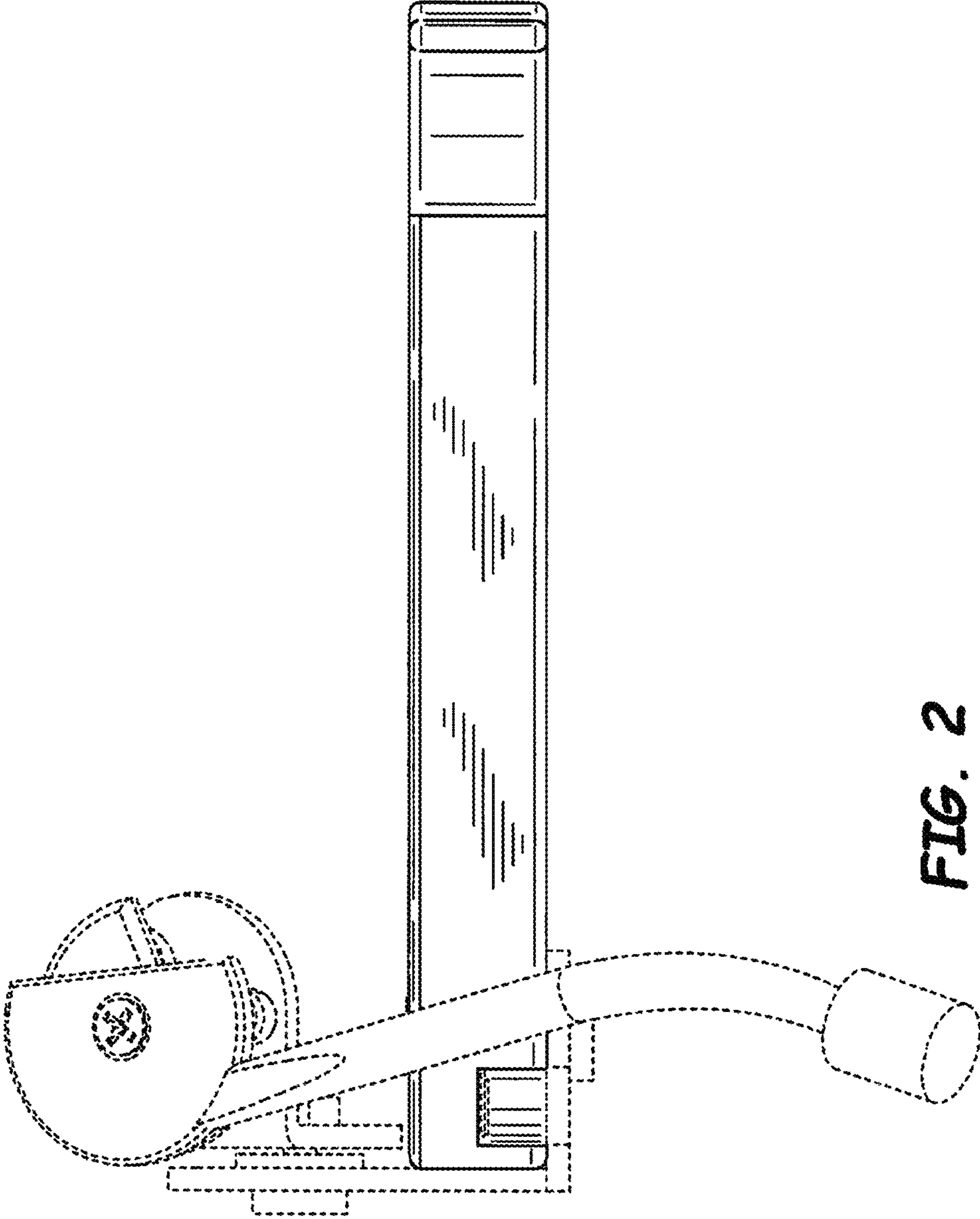


FIG. 2



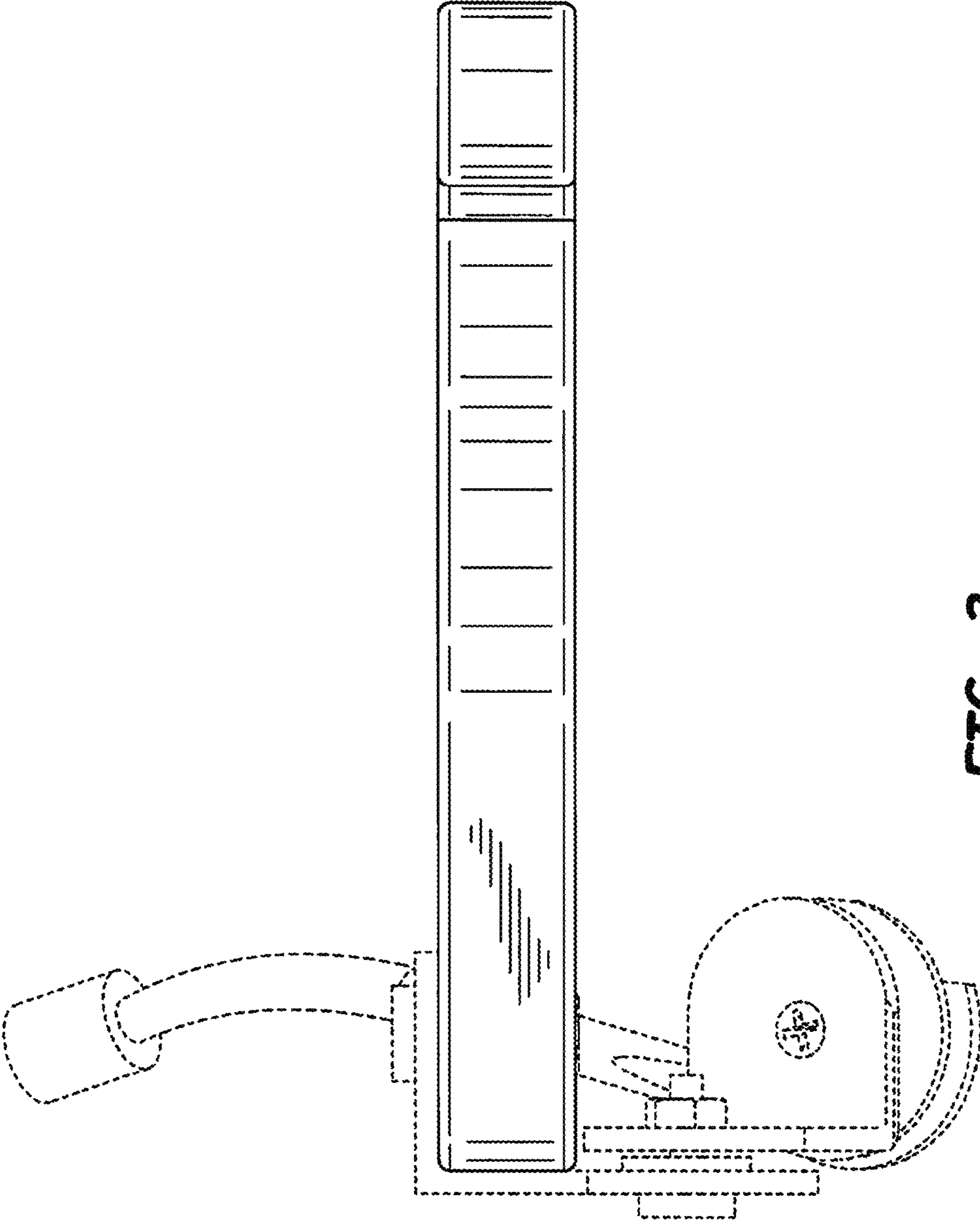
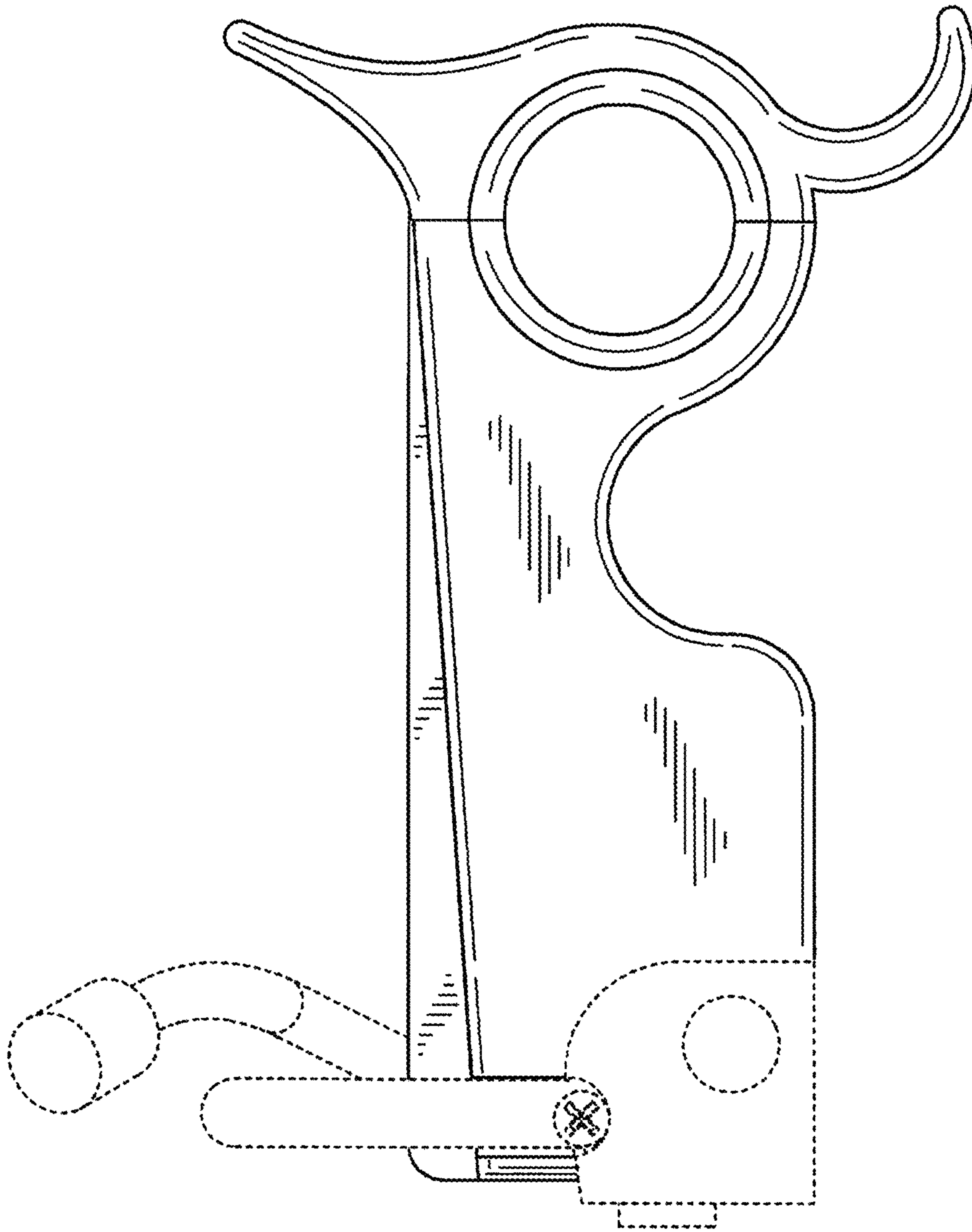


FIG. 3



**FIG. 4**

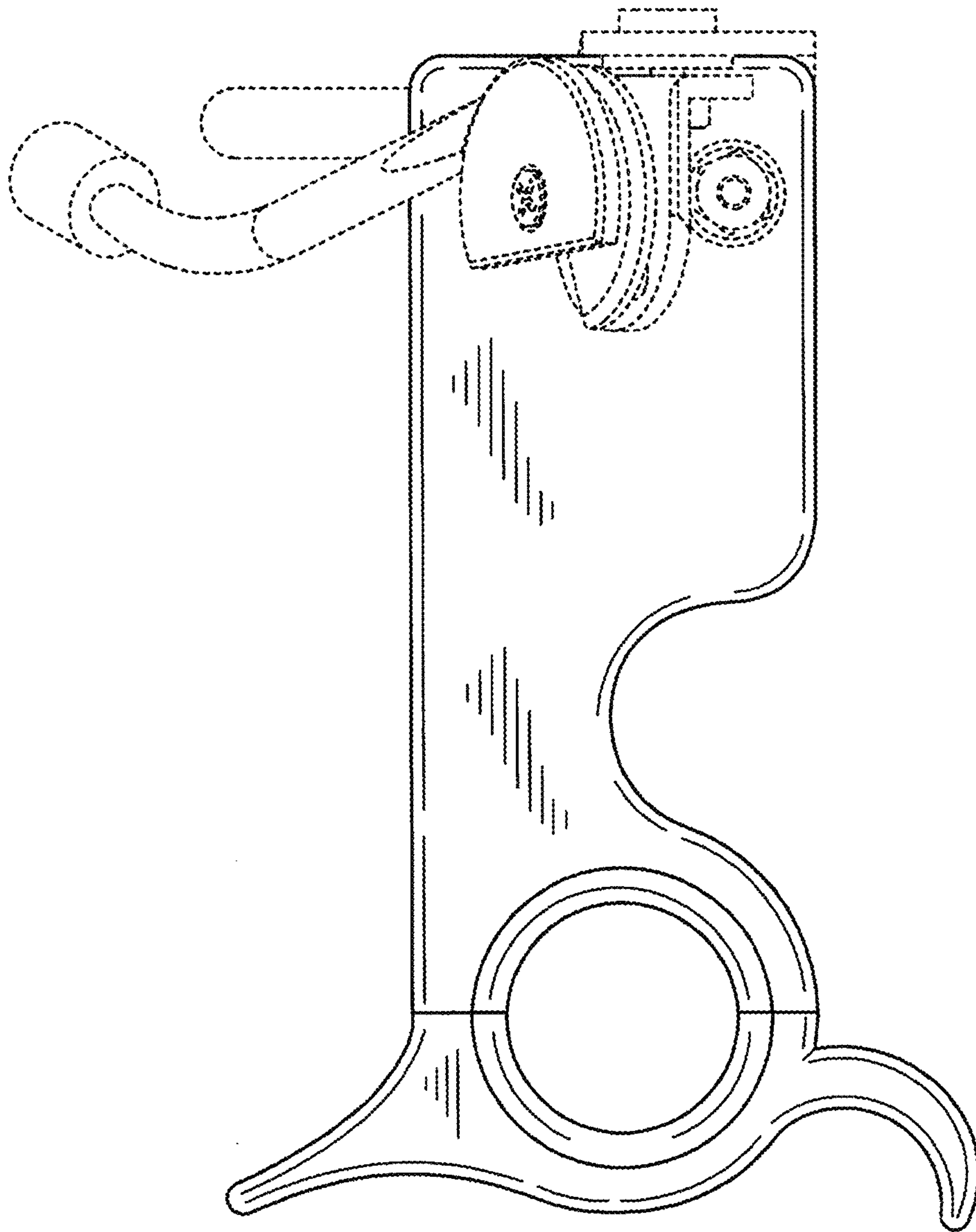
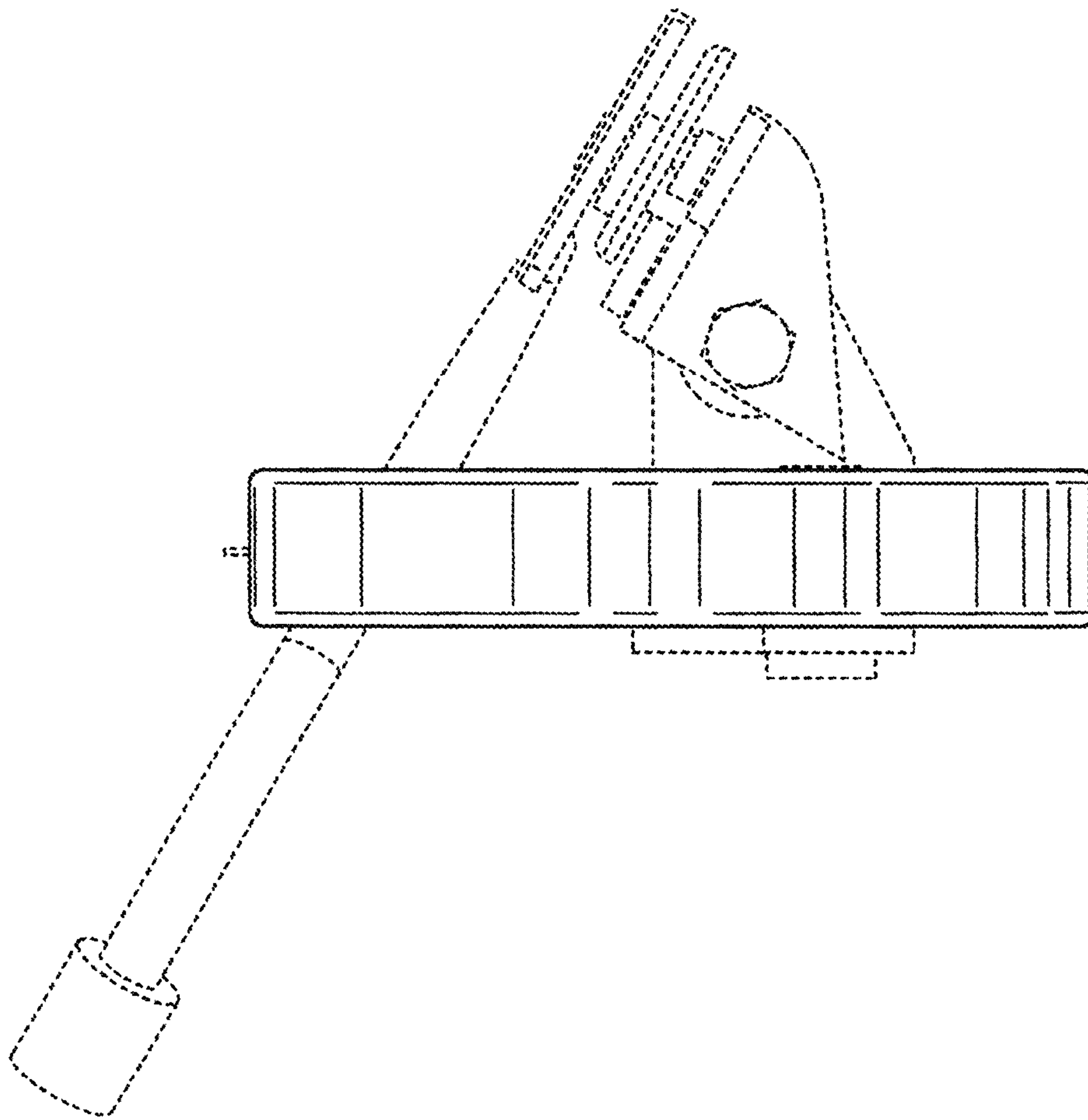
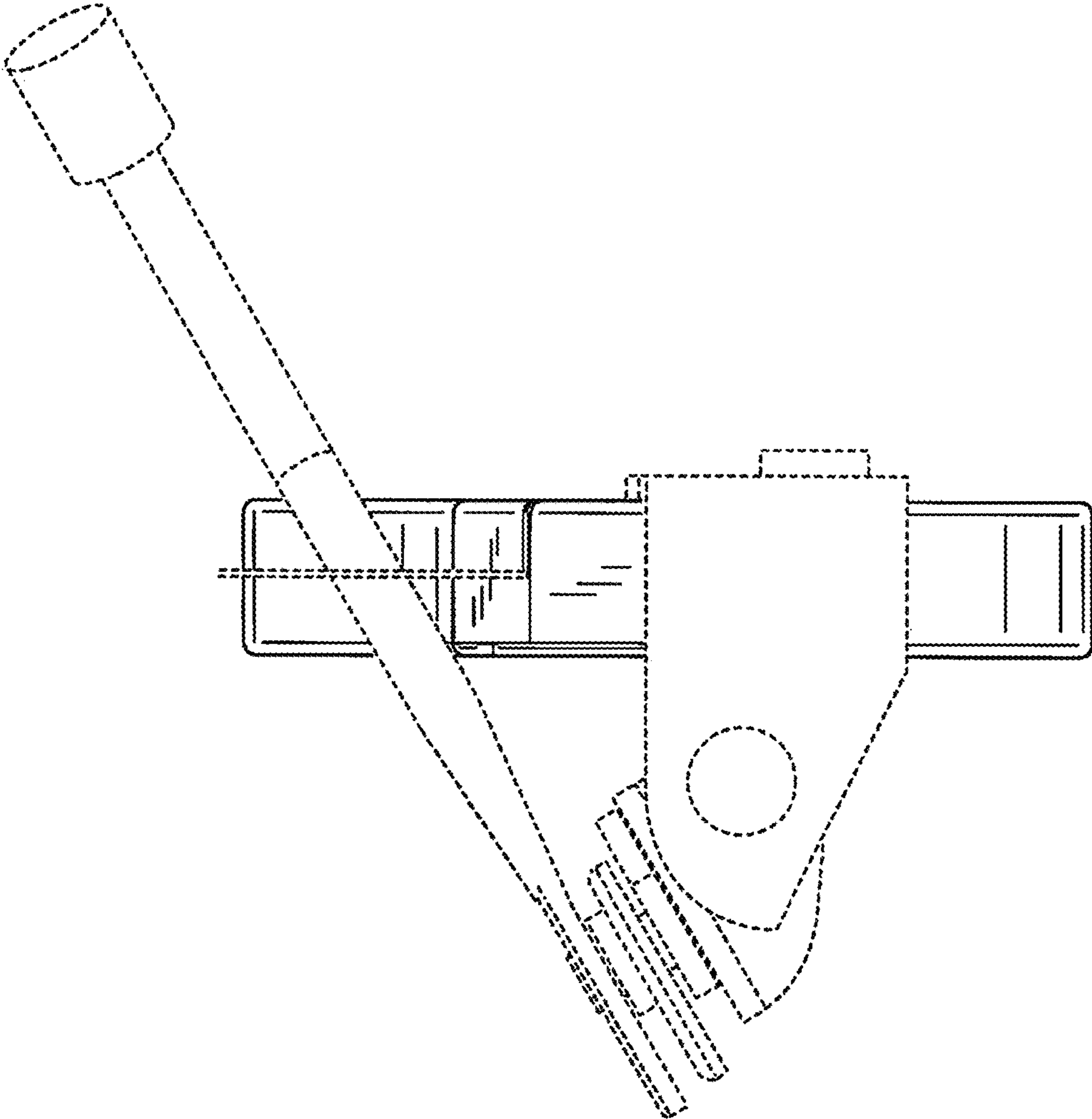


FIG. 5



**FIG. 6**





**FIG. 7**