



US00D807137S

(12) **United States Design Patent**
Whitaker

(10) **Patent No.:** **US D807,137 S**
(45) **Date of Patent:** **** Jan. 9, 2018**

(54) **REUSABLE CLAMP WITH LATCH RELEASE ARM**

Primary Examiner — David G Muller
(74) *Attorney, Agent, or Firm* — Baker Hostetler LLP

(71) Applicant: **Nordson Corporation**, Westlake, OH (US)

(72) Inventor: **Carl T. Whitaker**, Berthoud, CO (US)

(73) Assignee: **Nordson Corporation**, Westlake, OH (US)

(**) Term: **15 Years**

(21) Appl. No.: **29/540,338**

(22) Filed: **Sep. 23, 2015**

Related U.S. Application Data

(62) Division of application No. 29/500,091, filed on Aug. 21, 2014, now Pat. No. Des. 749,835.

(51) **LOC (11) Cl.** **08-05**

(52) **U.S. Cl.**
USPC **D8/72**

(58) **Field of Classification Search**
USPC D8/71–74, 394–399, 59; 248/63, 72, 248/74.1, 689, 124.2; 269/3, 4, 6, 143,
(Continued)

(56) **References Cited**

U.S. PATENT DOCUMENTS

3,035,345 A 5/1962 Barnard et al.
3,705,737 A 12/1972 Westerlund et al.
(Continued)

FOREIGN PATENT DOCUMENTS

KR 30-0471379.0000 12/2007

OTHER PUBLICATIONS

Stainless Steel Components, Announced Feb. 24, 2007, [Site Visited Sep. 25, 2015] <http://www.classicip.com/cipssc.asp>.

(Continued)

(57) **CLAIM**

The ornamental design for a reusable clamp with latch release arm, therefor as shown and described.

DESCRIPTION

FIG. 1 is a front-left isometric view of a reusable clamp with latch release arm according to a first embodiment, the clamp being in a closed configuration.

FIG. 2 is a front-right isometric view of the reusable clamp of FIG. 1 in the closed configuration.

FIG. 3 is a left side elevation view of the reusable clamp of FIG. 1 in the closed configuration.

FIG. 4 is a front elevation view of the reusable clamp of FIG. 1 in the closed configuration, the rear elevation view being a mirror image thereof.

FIG. 5 is a right side elevation view of the reusable clamp of FIG. 1 in the closed configuration.

FIG. 6 is a top plan view of the reusable clamp of FIG. 1 in the closed configuration.

FIG. 7 is a bottom plan view of the reusable clamp of FIG. 1 in the closed configuration.

FIG. 8 is a front-left isometric view of the reusable clamp of FIG. 1, the clamp being in an open configuration.

FIG. 9 is a front-right isometric view of the reusable clamp of FIG. 8 in the open configuration.

FIG. 10 is a left side elevation view of the reusable clamp of FIG. 8 in the open configuration.

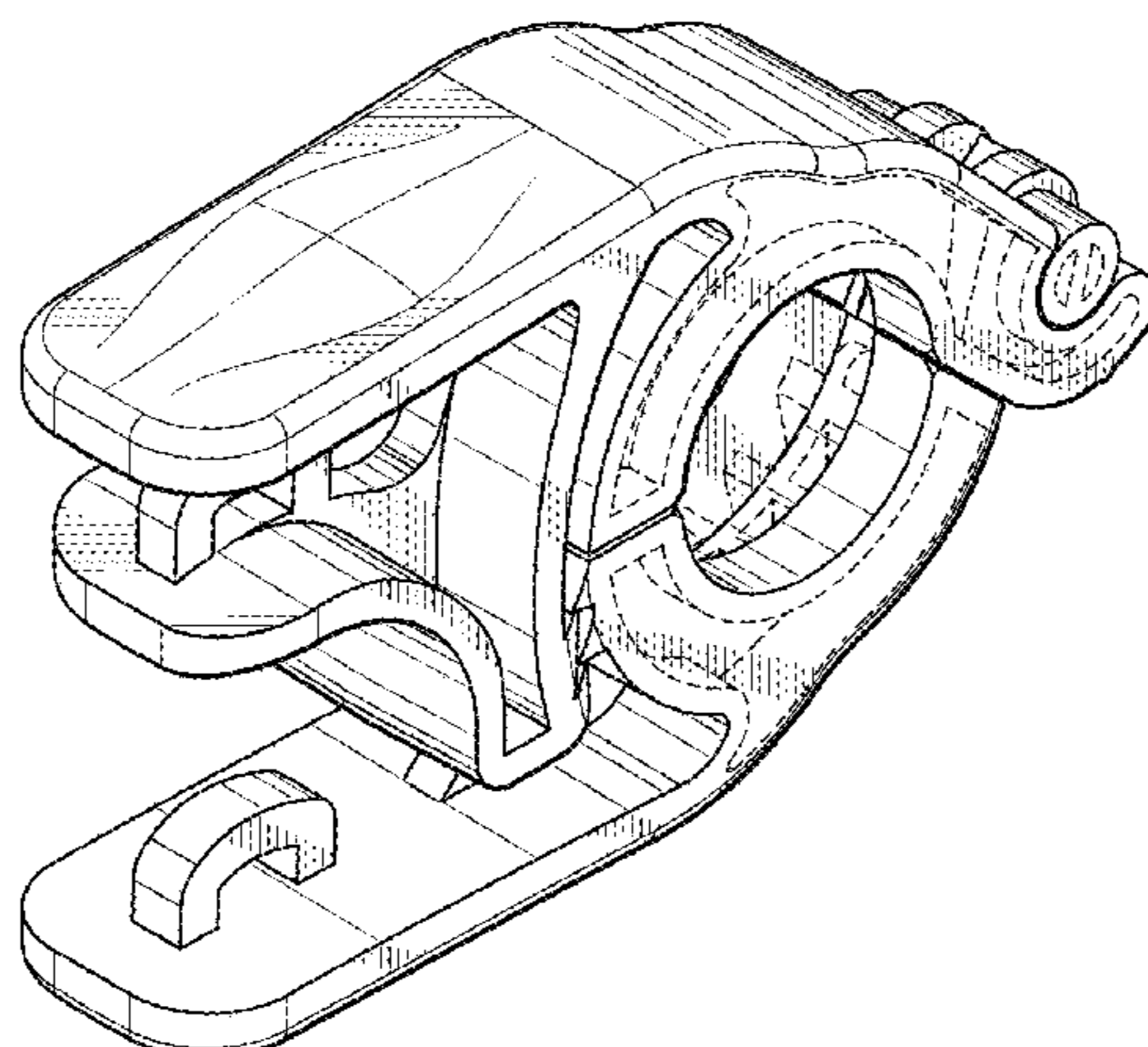
FIG. 11 is a front elevation view of the reusable clamp of FIG. 8 in the open configuration, the rear elevation view being a mirror image thereof.

FIG. 12 is a right side elevation view of the reusable clamp of FIG. 8 in the open configuration.

FIG. 13 is a top plan view of the reusable clamp of FIG. 8 in the open configuration; and,

FIG. 14 is a bottom plan view of the reusable clamp of FIG. 8 in the open configuration.

(Continued)



The broken lines in the figures are shown for the purpose of illustrating boundaries of the claimed design and the areas inside the broken line boundaries form no part of the claimed design.

1 Claim, 8 Drawing Sheets

(58) **Field of Classification Search**

USPC 269/165, 240, 243, 246–249, 254 R,
269/147–149; 29/256, 257, 276;
408/103, 104–109
CPC B25B 1/00; B25B 5/00
See application file for complete search history.

(56) **References Cited**

U.S. PATENT DOCUMENTS

D269,155	S	5/1983	Rose	
D296,777	S	7/1988	Cornell	
D299,168	S	12/1988	Bergstrom et al.	
4,915,418	A	4/1990	Palatchy	
D307,541	S	5/1990	Tres	
D348,196	S *	6/1994	Forsberg	D8/72
D376,974	S	12/1996	Chen	
D389,052	S	1/1998	Yamamoto	
5,759,342	A	6/1998	Luhman et al.	
5,820,005	A	10/1998	Perkitny et al.	
D400,419	S *	11/1998	Chan	D2/612
D411,298	S	6/1999	Godwin et al.	
D423,054	S	4/2000	Harris	
6,176,409	B1	1/2001	Lee	
D438,783	S	3/2001	Elliott	
D439,833	S	4/2001	Nakamura	
D447,564	S	9/2001	Stewart, Jr.	
D453,671	S *	2/2002	Von Fange	D8/72
D479,787	S	9/2003	Degen	
D483,241	S *	12/2003	Miller	D8/71
6,672,631	B1	1/2004	Weinhold	
6,742,223	B1	6/2004	Chang	
D500,086	S	12/2004	Van Tyle et al.	

D507,020	S	7/2005	Mueller et al.	
D516,891	S *	3/2006	Thomas	D8/70
D519,024	S	4/2006	Knight et al.	
D529,093	S	9/2006	Gullicks et al.	
D533,042	S *	12/2006	Loch	D15/144
D536,607	S	2/2007	Bekkevold	
D550,075	S	9/2007	Tung	
7,290,805	B2	11/2007	Wu	
D562,677	S *	2/2008	Farber	D8/380
D563,779	S	3/2008	Yip et al.	
7,384,078	B2	6/2008	Cobb et al.	
D577,423	S	9/2008	Dole	
D599,651	S	9/2009	Riggsbee	
D605,018	S *	12/2009	Price	D15/123
D610,684	S	2/2010	Gaydos	
D631,740	S	2/2011	Wood	
D649,641	S	11/2011	Guttulsrud	
D663,494	S	7/2012	Milliff et al.	
D664,201	S	7/2012	Packard et al.	
D665,027	S	8/2012	Packard et al.	
D677,332	S	3/2013	Kent et al.	
D681,734	S	5/2013	Hagglund et al.	
D687,102	S	7/2013	Chandaria	
D695,100	S	12/2013	Whitaker et al.	
D700,835	S	3/2014	Langlois et al.	
8,961,340	B2	2/2015	Boatwright et al.	
D766,059	S *	9/2016	Moreau	D8/71
D781,122	S *	3/2017	Zimmerman	D15/28
D790,308	S *	6/2017	Larard	D8/72
D790,309	S *	6/2017	Liao	D8/72
D797,549	S *	9/2017	Dew	D8/394
2008/0179469	A1	7/2008	Leone et al.	
2009/0119886	A1	5/2009	Werth	
2010/0132165	A1	6/2010	Shor et al.	
2010/0327576	A1	12/2010	Linhorst et al.	
2012/0227221	A1	9/2012	Whitaker et al.	

OTHER PUBLICATIONS

Medium Side Pinch Clamp Red SPC-202 Sample Pack 25 Pieces, Announced Jul. 15, 2013, [Site Visited Sep. 25, 2015]<http://sidepinchclamp.com/spc-samples/medium-sidepinch-clamp-sample-pack-24-pieces-3>.

* cited by examiner

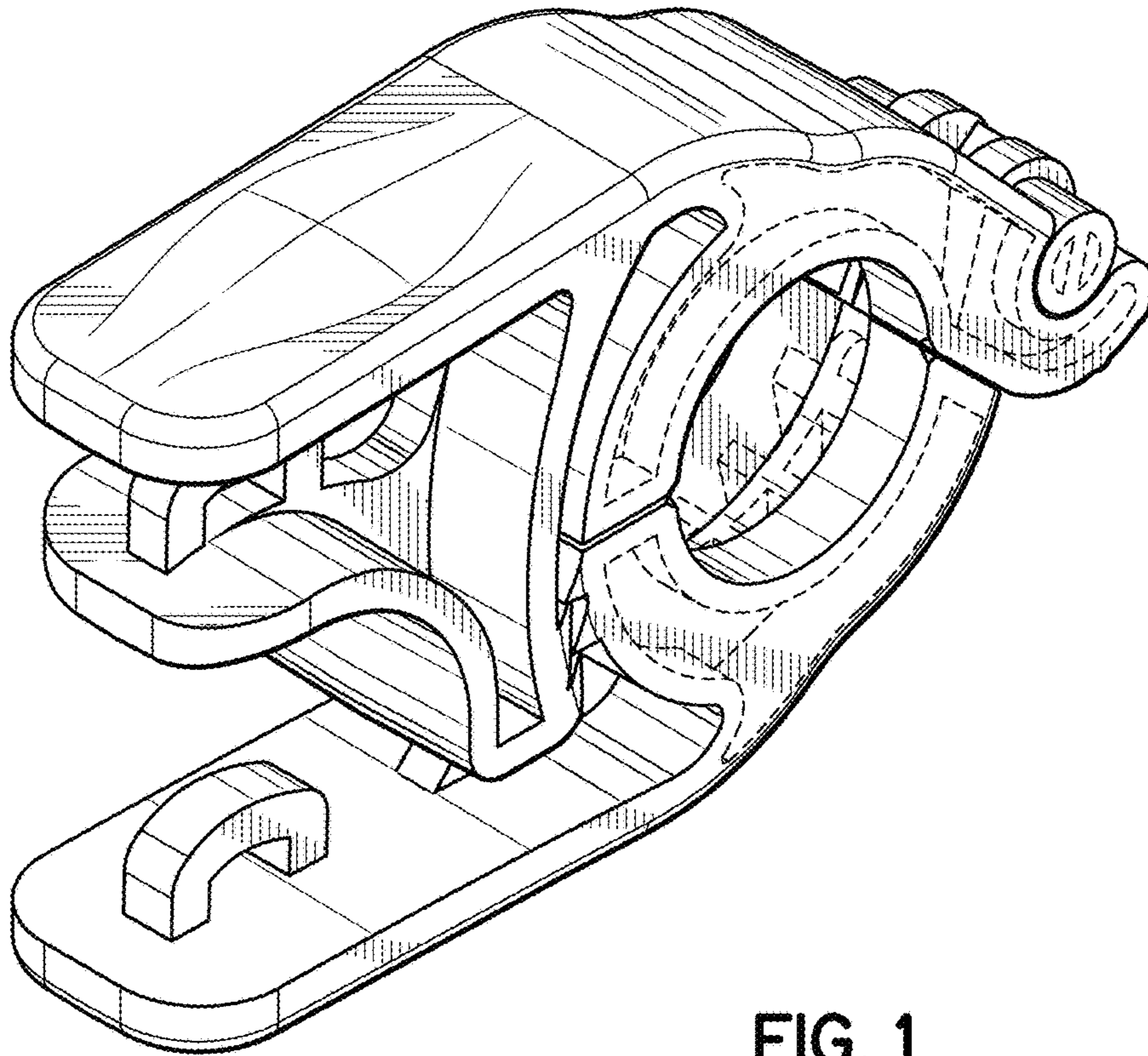


FIG. 1

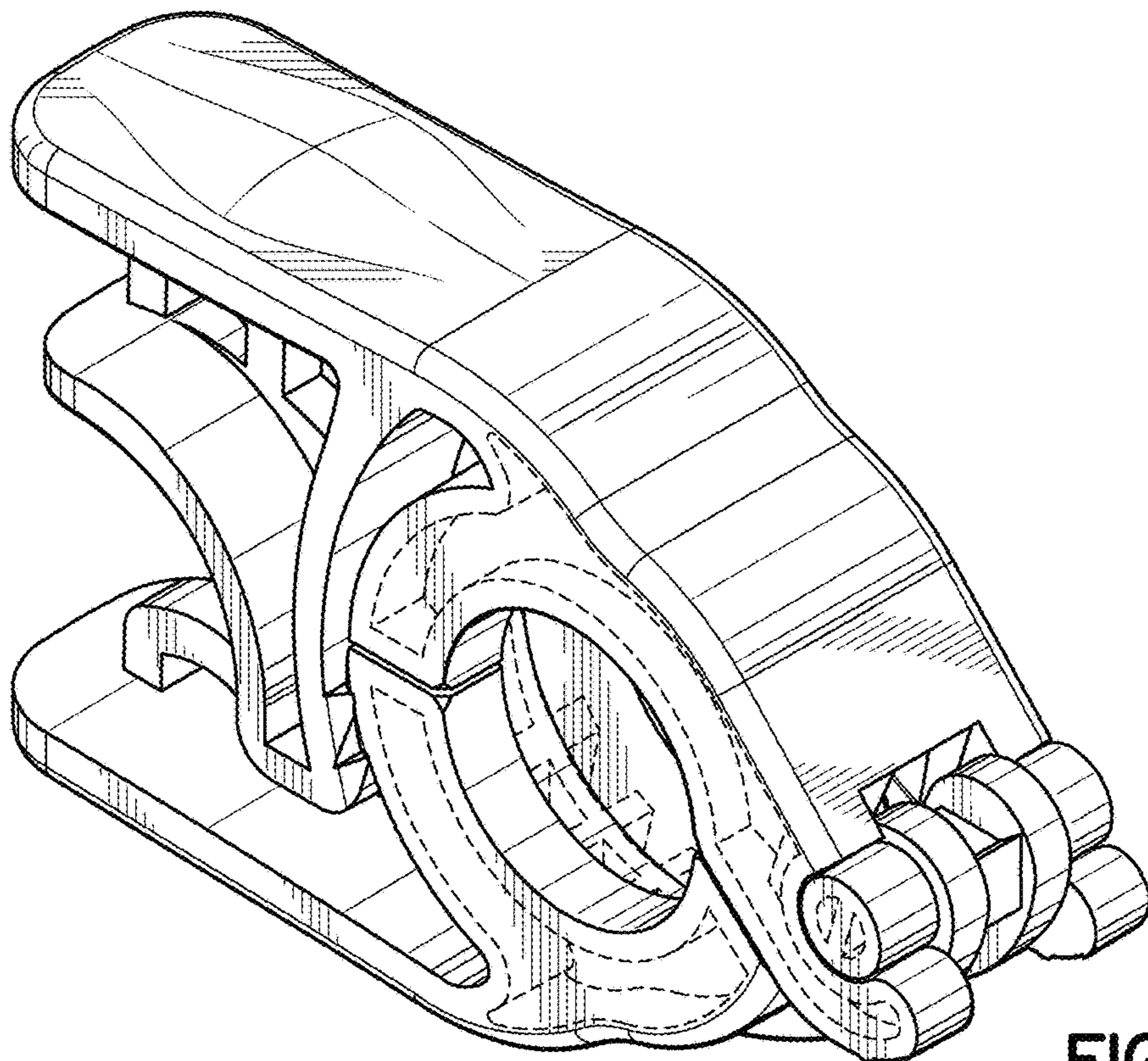


FIG. 2

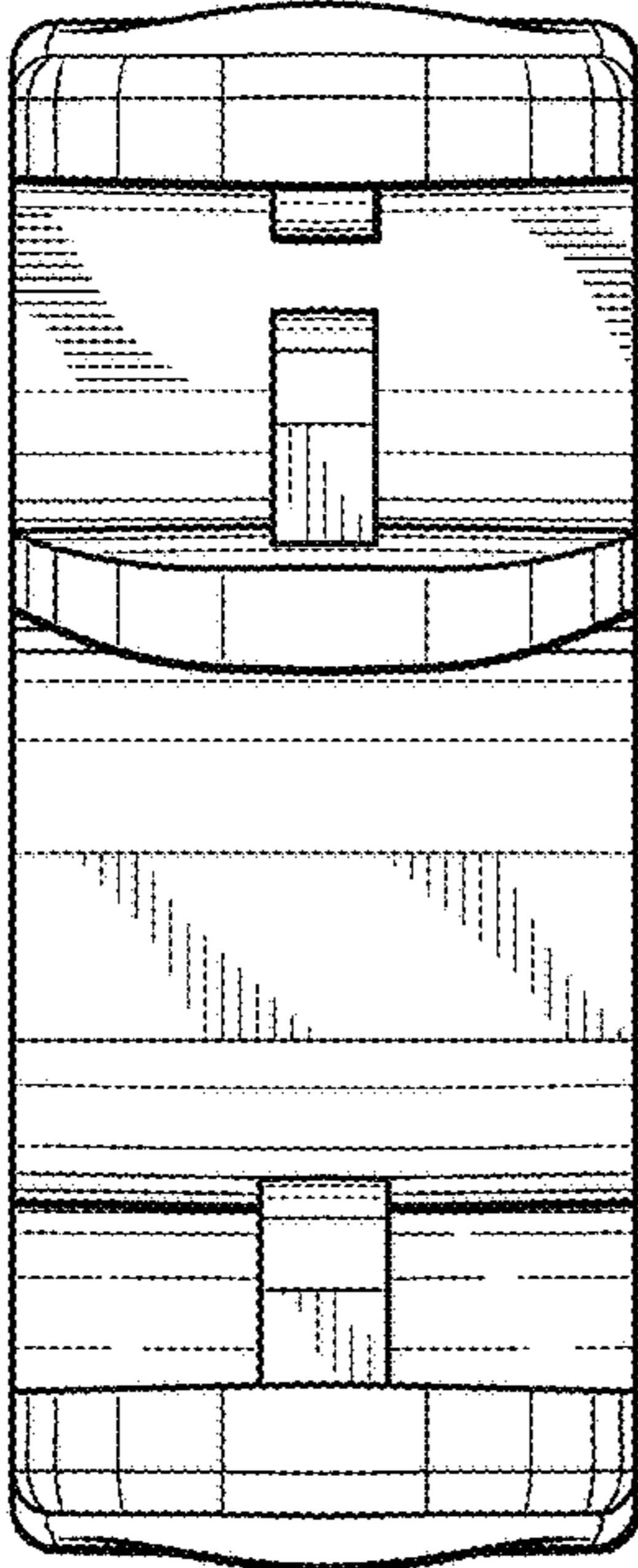


FIG. 3

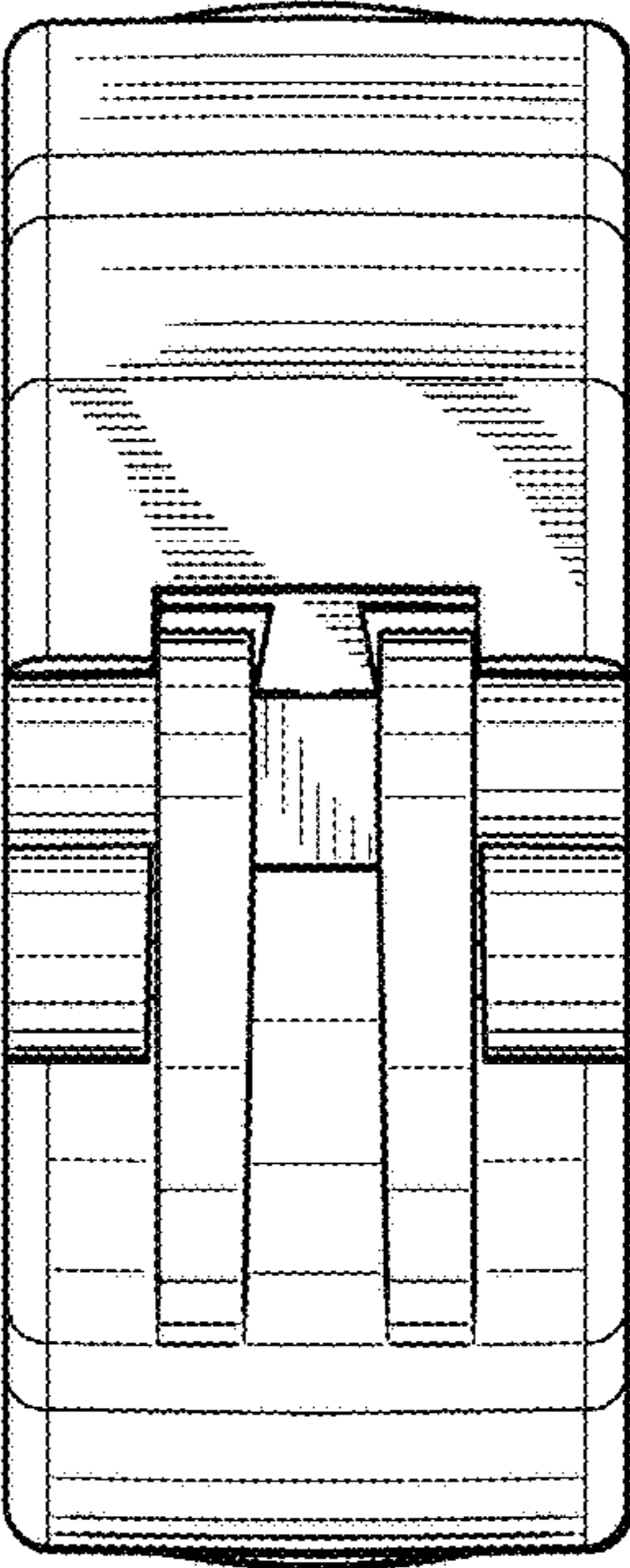


FIG. 5

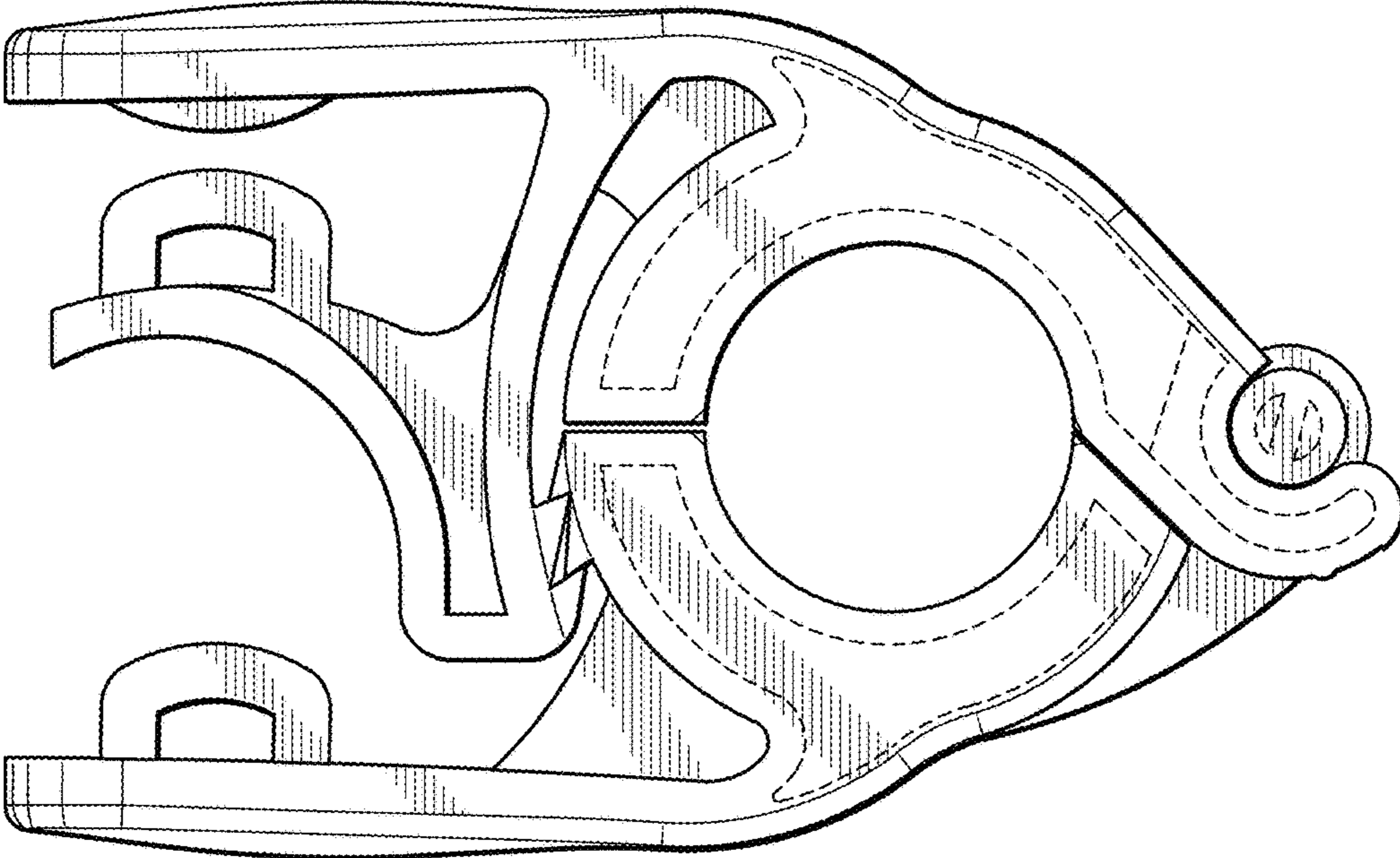


FIG. 4

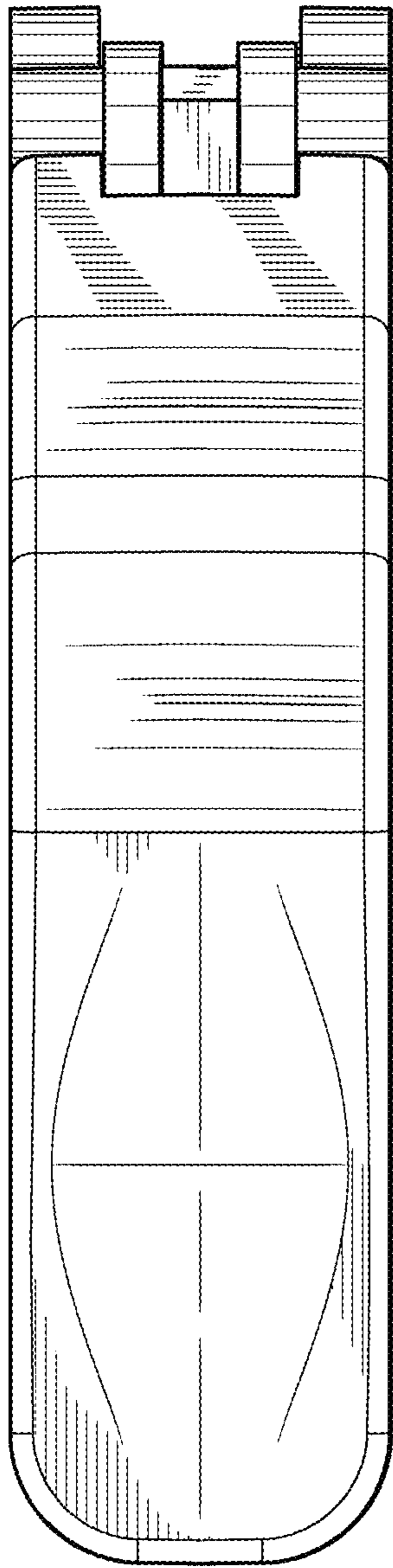


FIG. 6

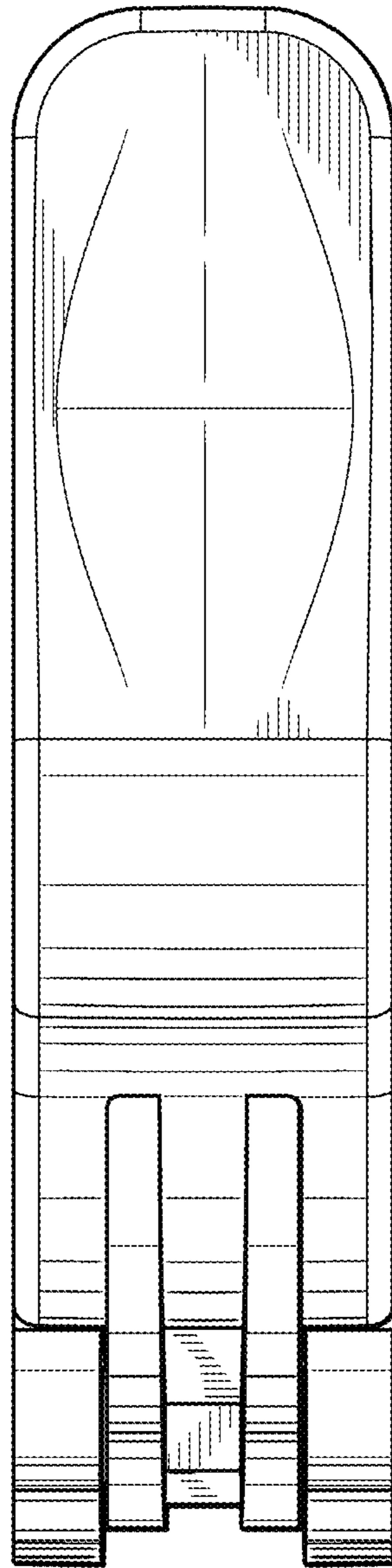


FIG. 7

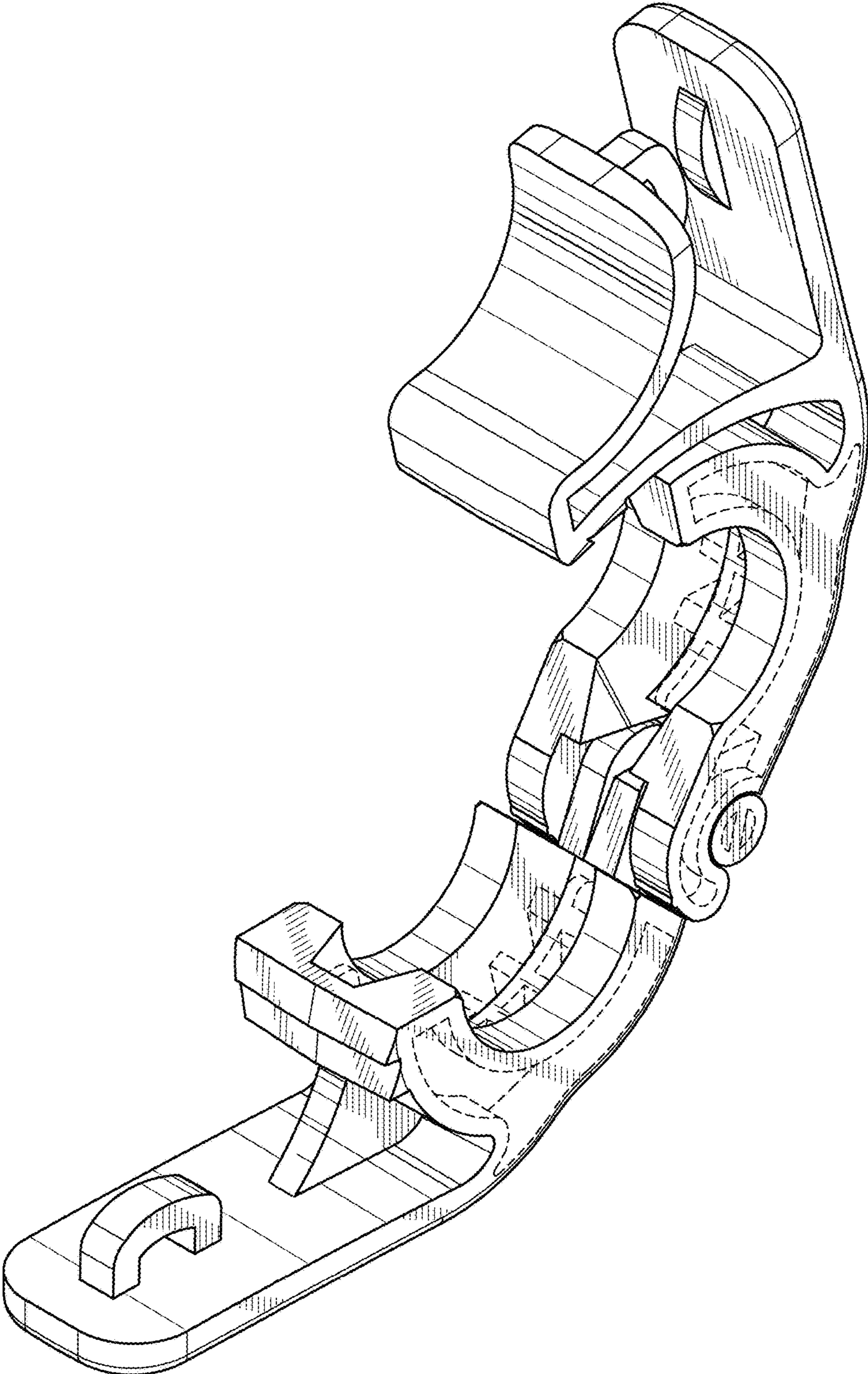


FIG. 8

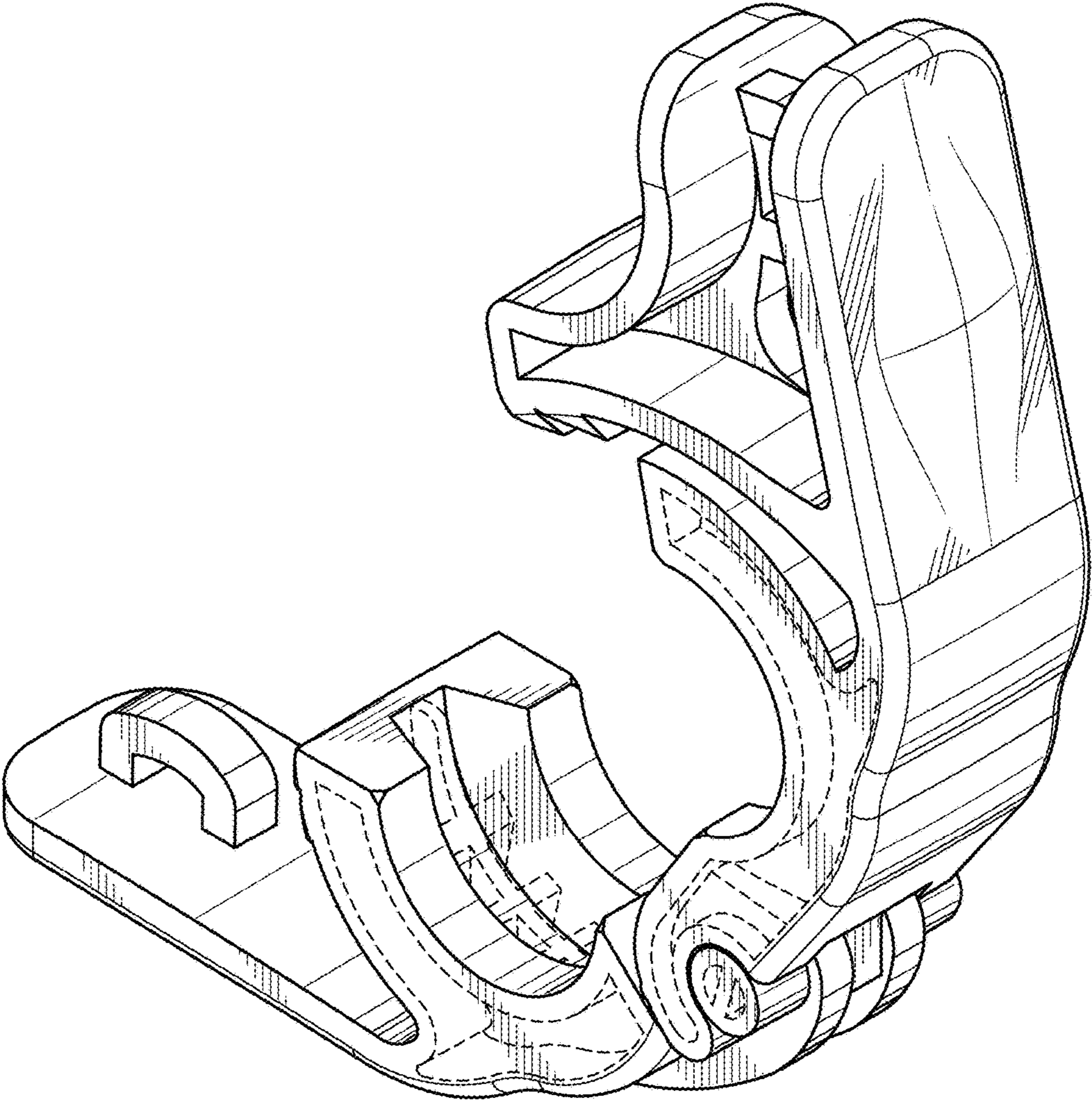


FIG. 9

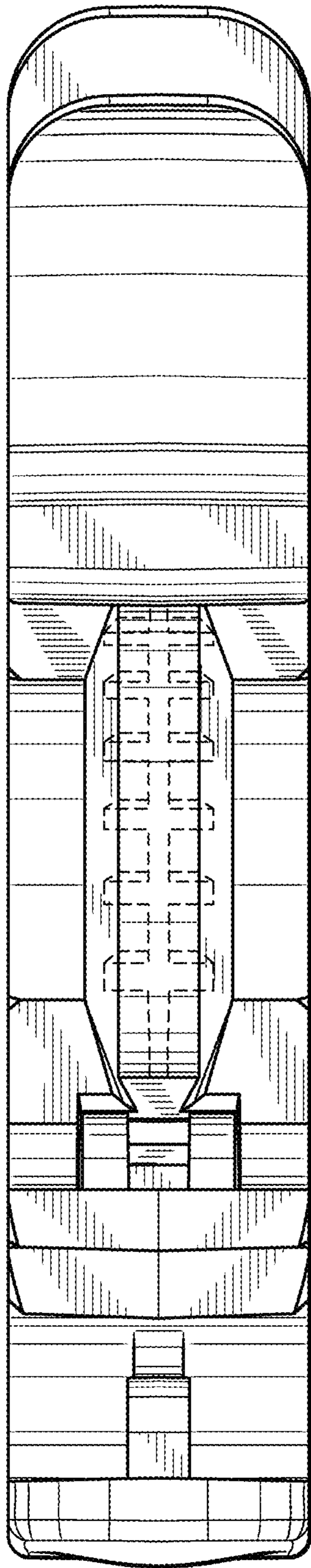


FIG. 10

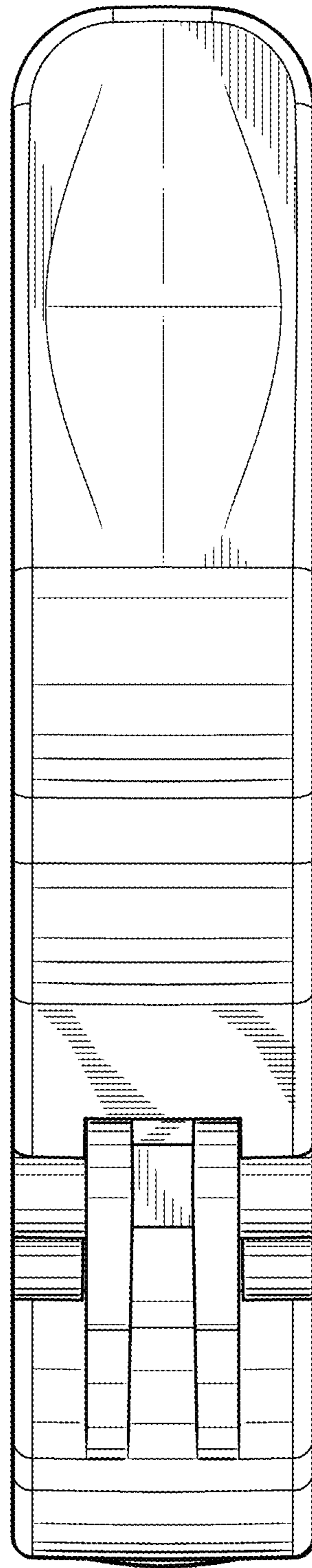


FIG. 12

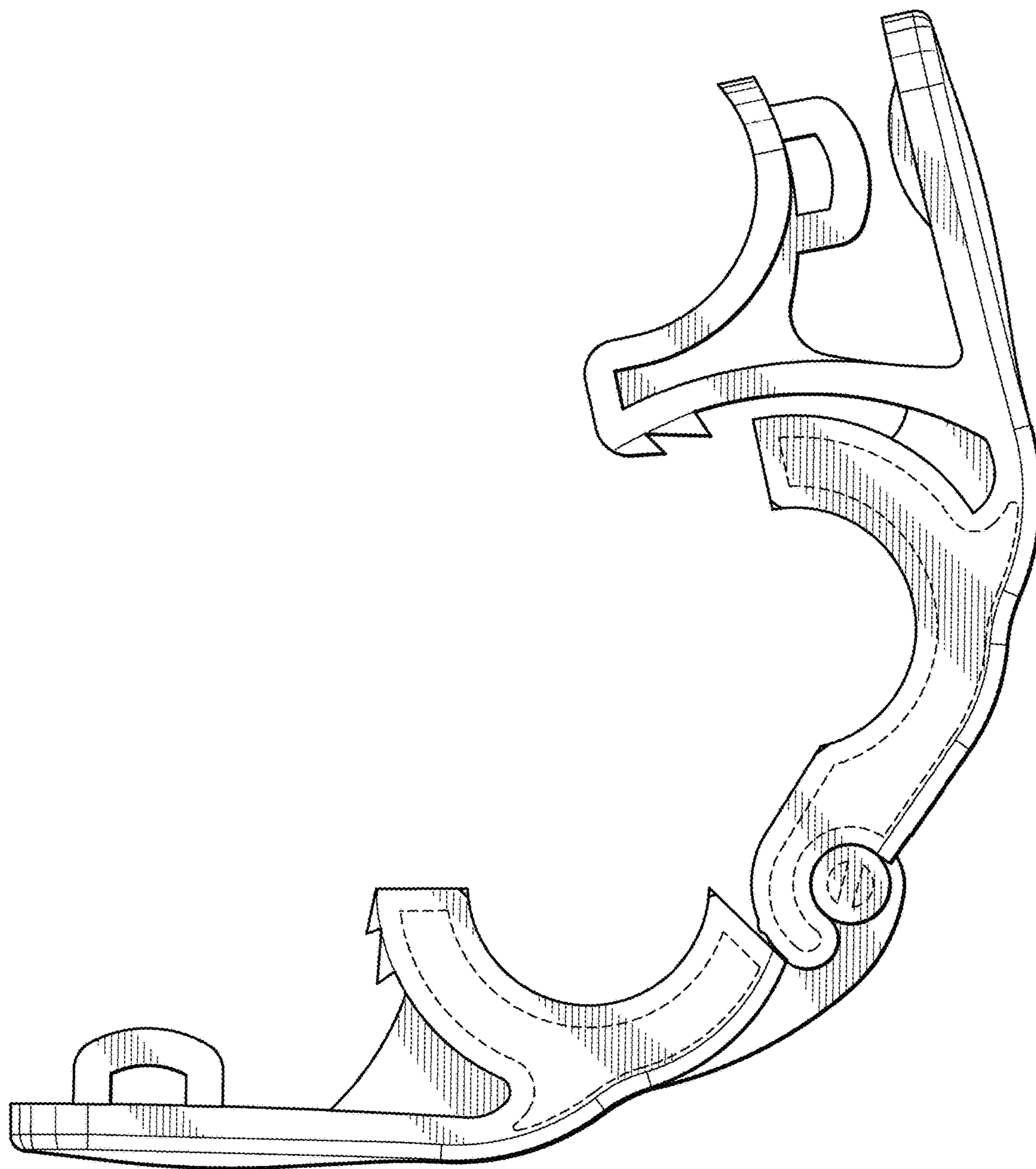


FIG. 11

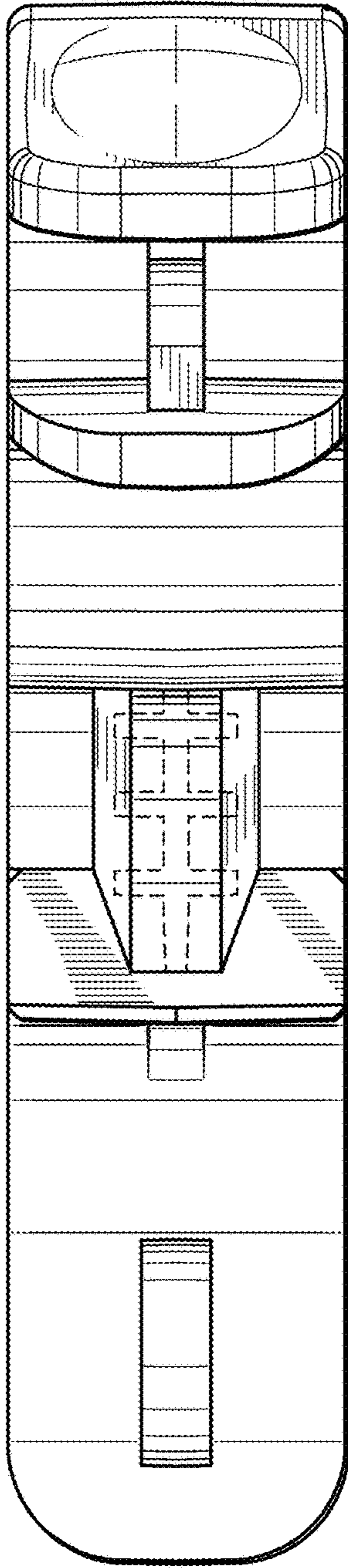


FIG. 13

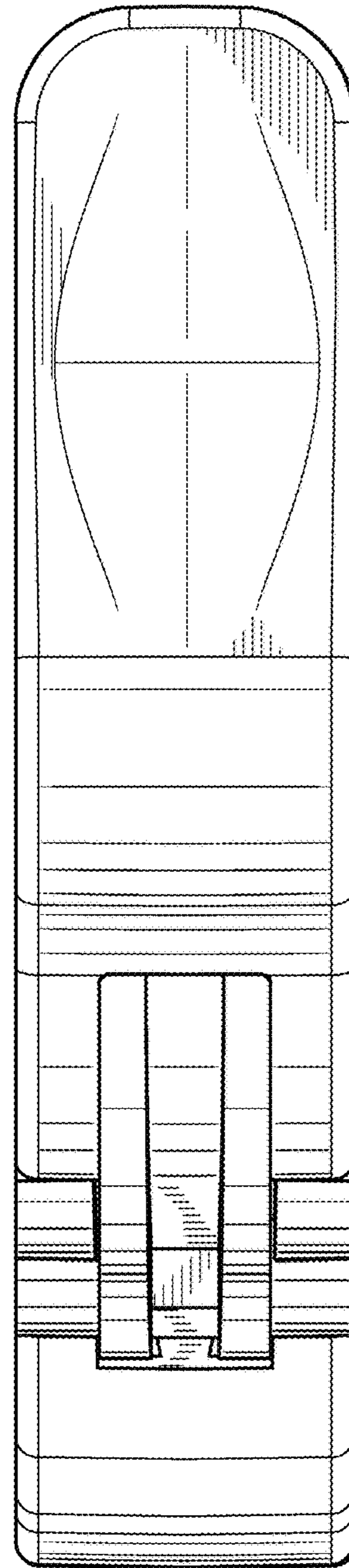


FIG. 14