



US00D807135S

(12) **United States Design Patent**
Naksen et al.

(10) **Patent No.:** **US D807,135 S**
(45) **Date of Patent:** **** Jan. 9, 2018**

(54) **CORDLESS 12V RECIPROCATING SAW**

(71) Applicant: **INGERSOLL-RAND COMPANY**,
Davidson, NC (US)

(72) Inventors: **Dennis Naksen**, Summit, NJ (US);
Scott David Price, Lebanon, NJ (US);
Joshua O. Johnson, Allentown, PA
(US)

(73) Assignee: **Ingersoll-Rand Company**, Davidson,
NC (US)

(**) Term: **15 Years**

(21) Appl. No.: **29/589,445**

(22) Filed: **Dec. 30, 2016**

(51) **LOC (11) Cl.** **08-03**

(52) **U.S. Cl.**
USPC **D8/64**

(58) **Field of Classification Search**
USPC D8/69, 68, 67, 66, 65, 64, 62, 61; 30/92,
30/394, 393, 392, 377, 376, 371; 74/50,
74/49; 173/217, 216; 83/699.21;
446/145

CPC B26B 7/00; B23D 51/16; B23D 51/10;
B25F 5/02; B62B 7/00

See application file for complete search history.

(56) **References Cited**

U.S. PATENT DOCUMENTS

D408,699 S * 4/1999 Zurwelle D8/64
D524,130 S * 7/2006 Wolf D8/64

D591,574 S * 5/2009 DiPasquale D8/64
D679,565 S * 4/2013 Aglassinger D8/64
D685,242 S * 7/2013 Vitantonio D8/64
D705,627 S * 5/2014 Schoch D8/64
D752,406 S * 3/2016 Kanda D8/64
D790,939 S * 7/2017 Elder D8/64

OTHER PUBLICATIONS

Notice of Allowance dated Sep. 19, 2017 from U.S. Appl. No.
29/589,447, filed Dec. 30, 2016.

* cited by examiner

Primary Examiner — Austin Murphy

(74) *Attorney, Agent, or Firm* — Sunstone IP

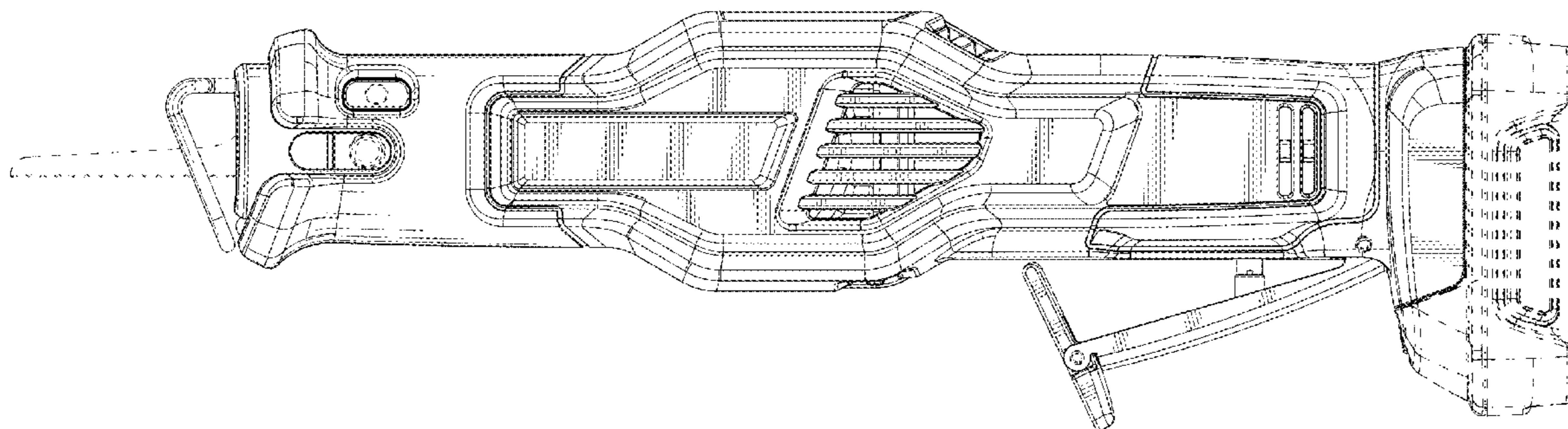
(57) **CLAIM**

The ornamental design for a cordless 12v reciprocating saw,
as shown and described.

DESCRIPTION

FIG. 1 is a front perspective view of a reciprocating saw of
the present invention;
FIG. 2 is a rear perspective view of the reciprocating saw;
FIG. 3 is a front elevation view thereof;
FIG. 4 is a rear elevation view thereof;
FIG. 5 is a side elevation view thereof;
FIG. 6 is an opposite side elevation view thereof;
FIG. 7 is a top plan view thereof; and,
FIG. 8 is a bottom plan view thereof.
The broken lines are for illustrative purposes only and form
no part of the claimed design.

1 Claim, 7 Drawing Sheets



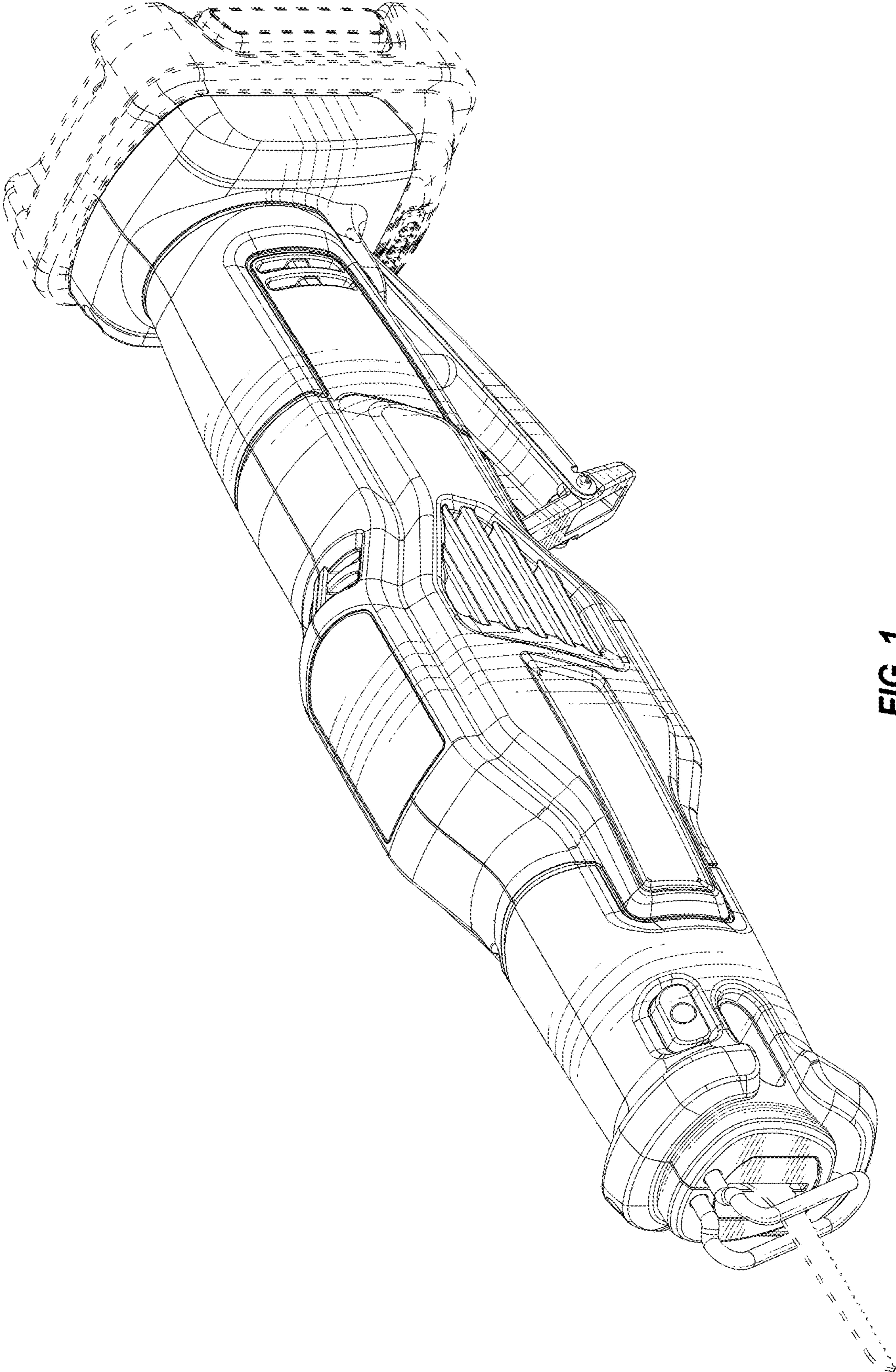


FIG. 1

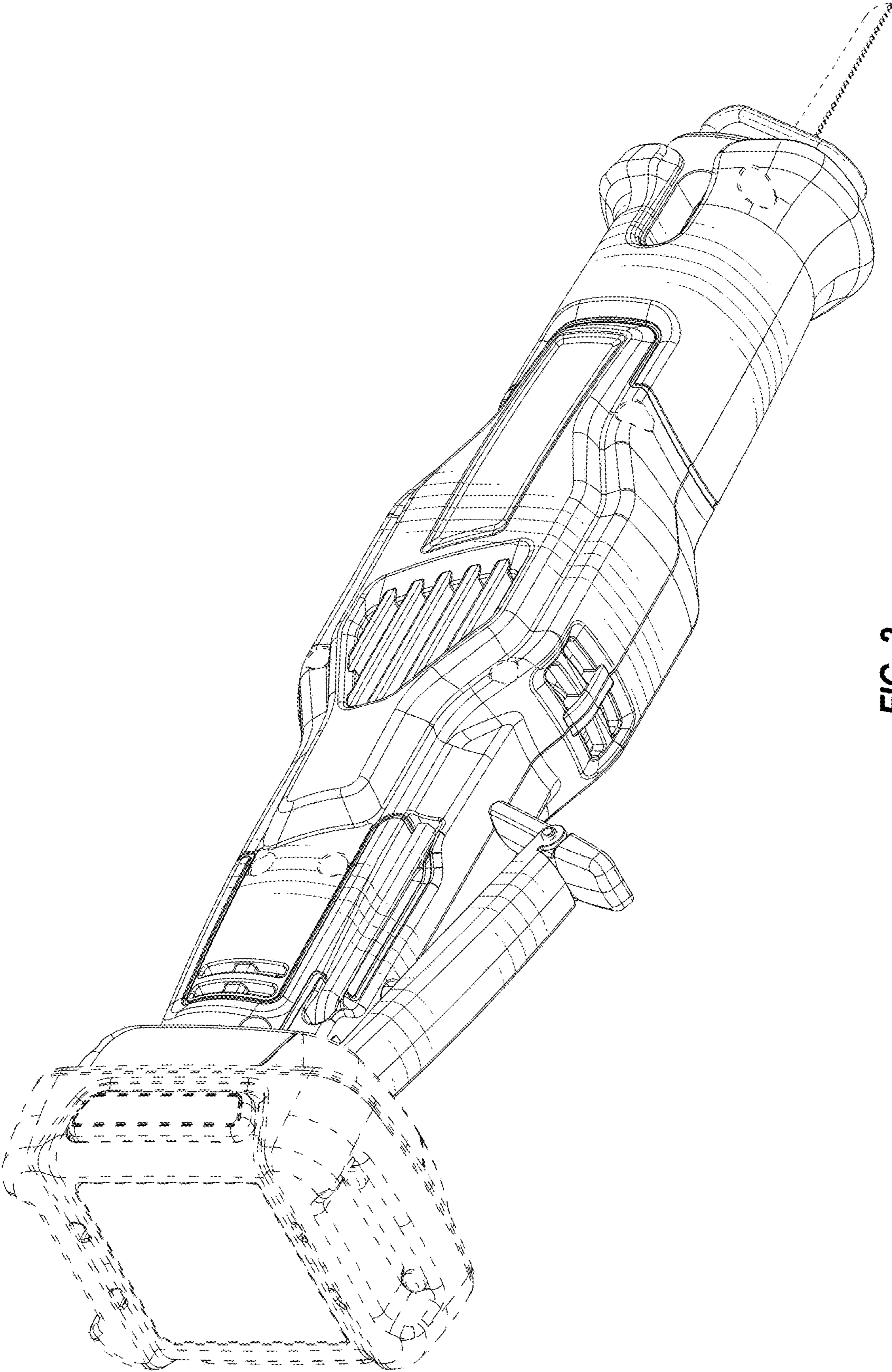


FIG. 2

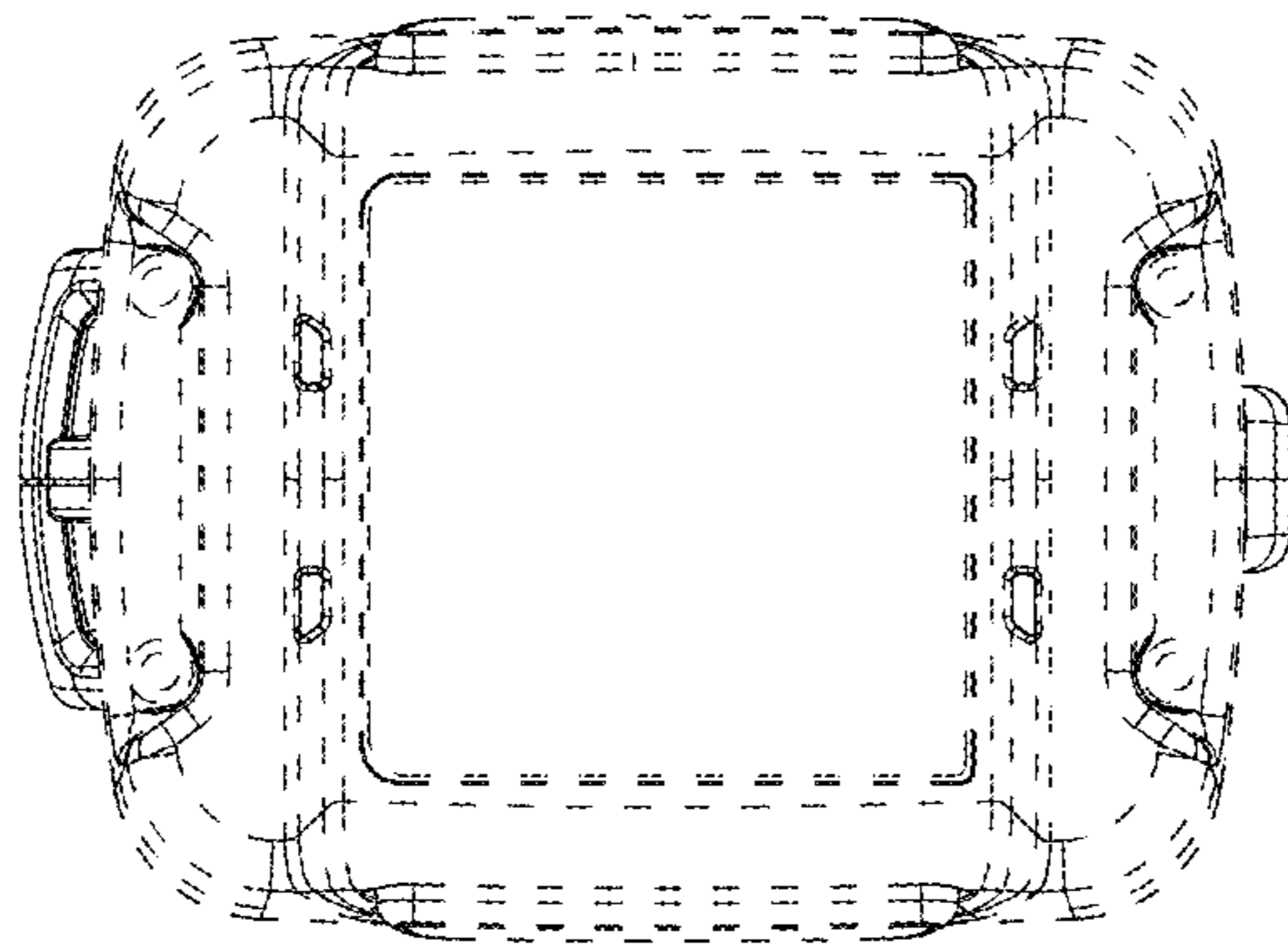


FIG. 4

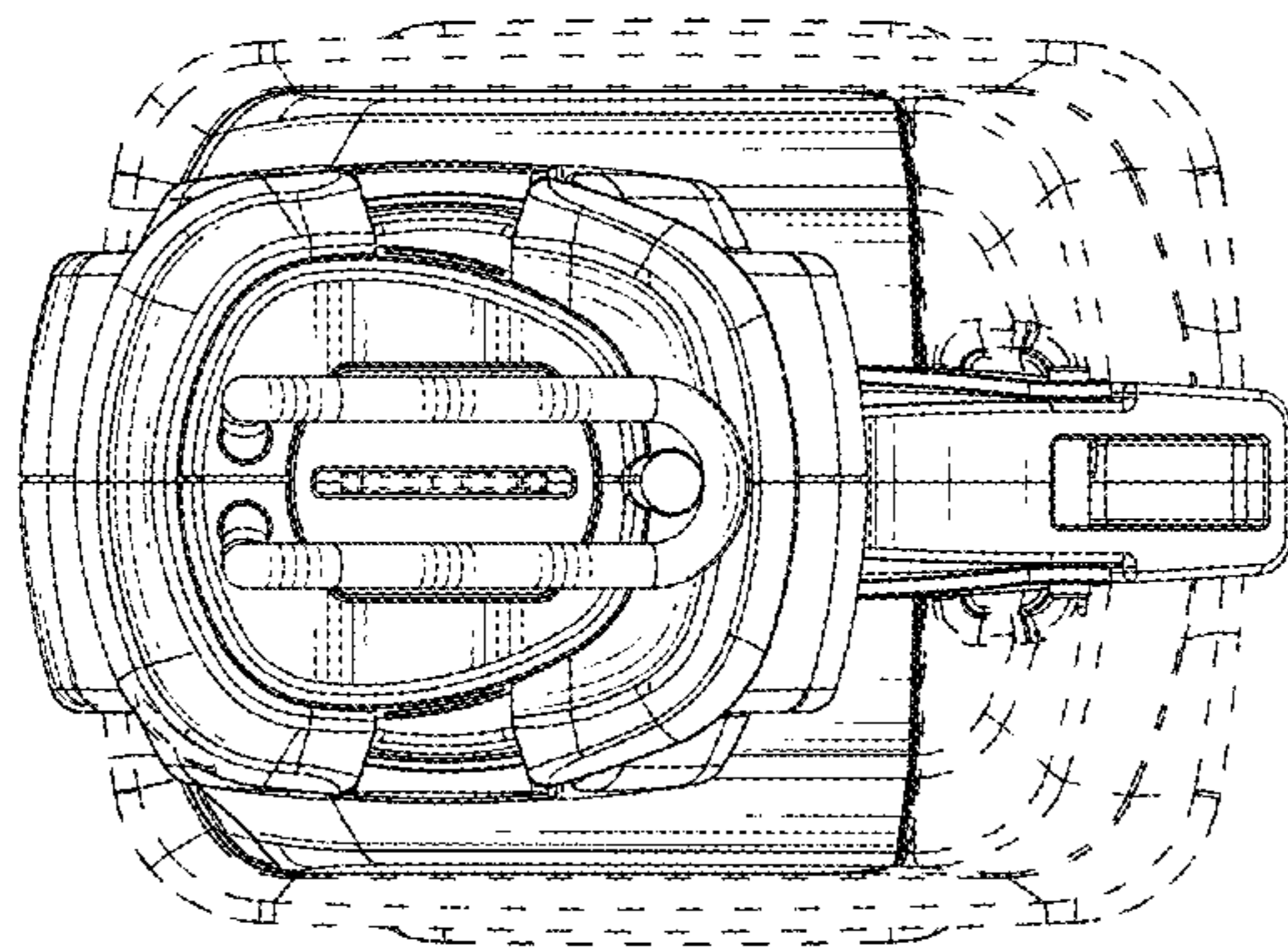


FIG. 3

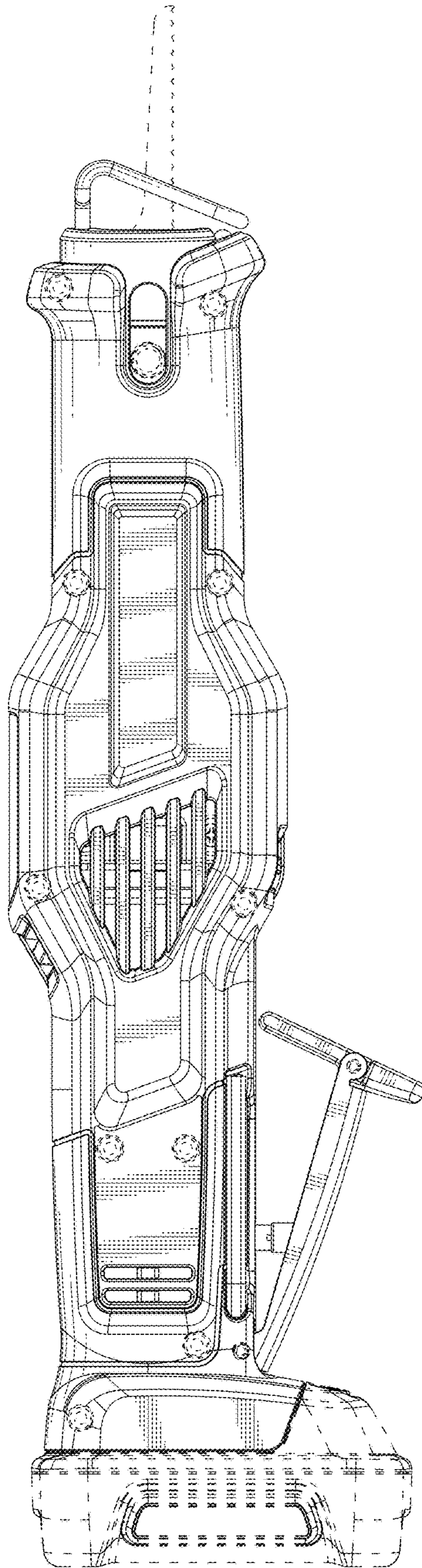


FIG. 5

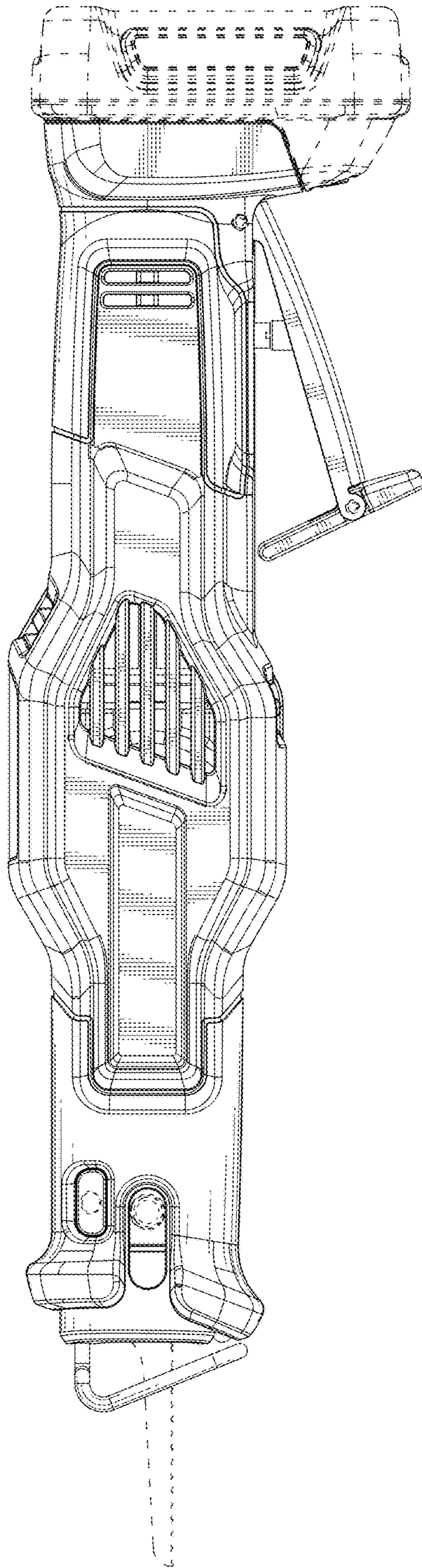


FIG. 6

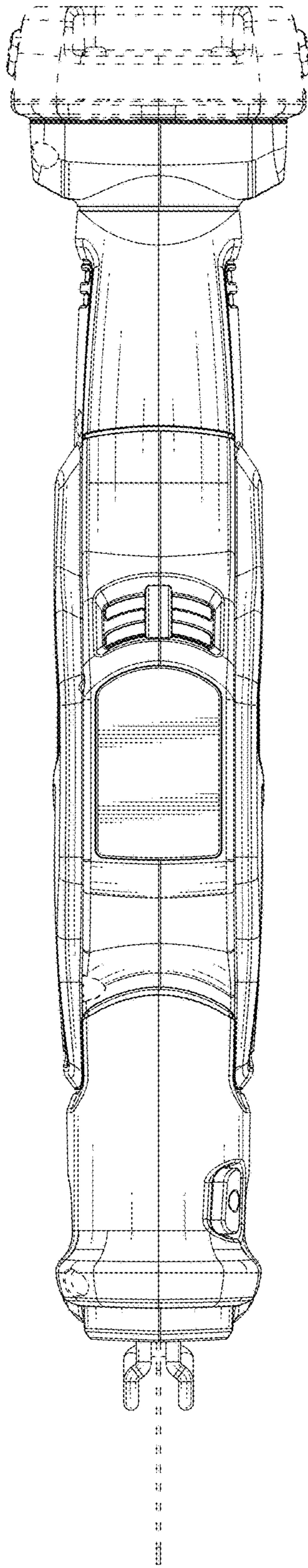


FIG. 7

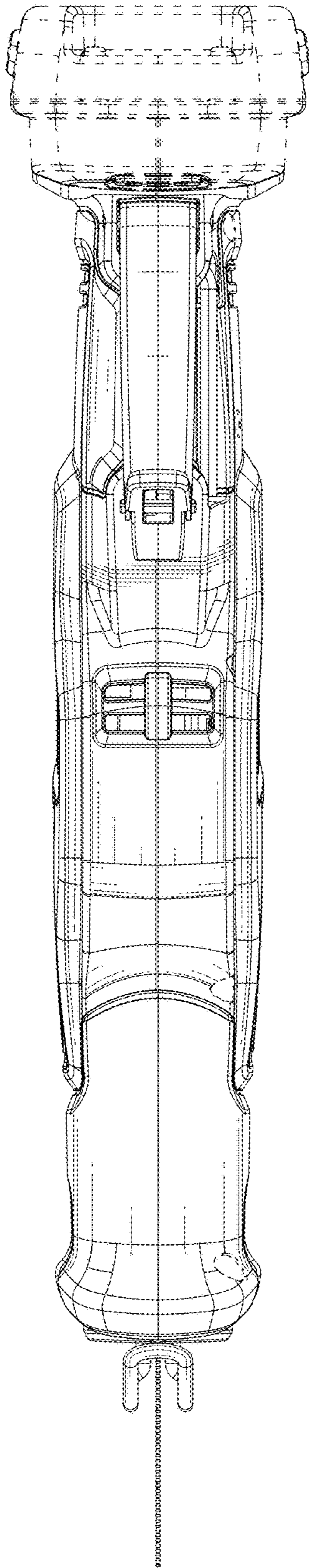


FIG. 8