



US00D807130S

(12) **United States Design Patent** (10) **Patent No.:** **US D807,130 S**  
**Popa** (45) **Date of Patent:** **\*\* Jan. 9, 2018**

- (54) **WIRE BASKET**
- (71) Applicant: **Laurentiu Popa**, Hamilton (CA)
- (72) Inventor: **Laurentiu Popa**, Hamilton (CA)
- (73) Assignee: **Laurentiu Popa**, Hamilton (CA)
- (\*\*) Term: **15 Years**
- (21) Appl. No.: **29/552,061**
- (22) Filed: **Jan. 20, 2016**
- (51) **LOC (11) Cl.** ..... **08-01**
- (52) **U.S. Cl.**  
USPC ..... **D8/1**
- (58) **Field of Classification Search**  
USPC ..... D3/306; D23/209, 261, 410; D7/628,  
D7/601; D11/152; D8/1  
CPC ..... A01G 23/04; Y10S 47/904; A47G 7/047  
See application file for complete search history.

- 5,025,590 A \* 6/1991 Smith ..... A01G 23/04  
206/423
- 5,090,157 A \* 2/1992 Sipala ..... A01G 23/04  
47/76
- 5,267,664 A \* 12/1993 Younikian ..... A45C 3/04  
220/489
- D379,872 S \* 6/1997 Sanchez ..... D3/303
- 5,967,360 A \* 10/1999 Cheng-Tien ..... A47G 7/047  
220/489
- 6,314,674 B1 \* 11/2001 Lee ..... A47G 7/047  
47/39
- D496,164 S \* 9/2004 Hou ..... D3/306
- D504,086 S \* 4/2005 Harbaugh ..... D11/152
- D600,324 S \* 9/2009 Vreeland ..... D23/261
- D604,800 S \* 11/2009 Vreeland ..... D23/209
- D633,755 S \* 3/2011 Guindi ..... D7/601

(Continued)

*Primary Examiner* — Sheryl Lane  
(74) *Attorney, Agent, or Firm* — Ridout & Maybee LLP

(57) **CLAIM**

The ornamental design for a wire basket, as shown and described.

(56) **References Cited**

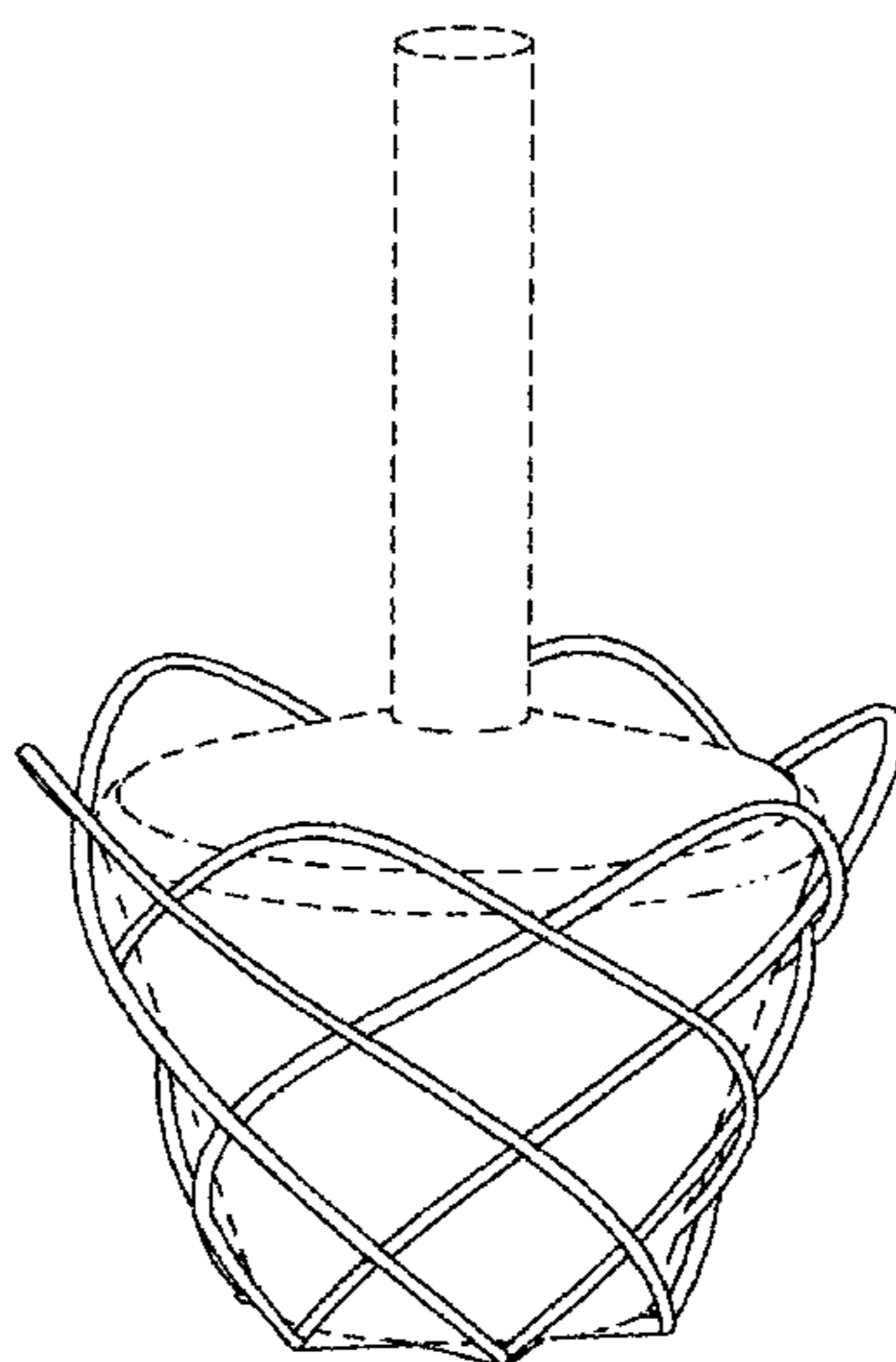
**U.S. PATENT DOCUMENTS**

- 879,613 A \* 2/1908 Edwards ..... A01G 23/04  
47/78
- D237,814 S \* 11/1975 Edmonds ..... 47/78
- 3,979,856 A \* 9/1976 Belcher ..... A01G 23/04  
220/485
- 4,062,148 A \* 12/1977 Edmonds, Jr. .... A01G 23/04  
47/76
- 4,250,664 A \* 2/1981 Remke ..... A01G 23/04  
206/423
- 4,287,840 A \* 9/1981 Weidner ..... A01G 23/04  
111/101
- 4,403,447 A \* 9/1983 Braun ..... A01G 23/04  
47/76
- 4,478,260 A \* 10/1984 Eichler ..... A01G 23/04  
140/112
- 4,843,757 A \* 7/1989 O'Hara, Jr. .... A01G 25/06  
47/48.5
- D311,666 S \* 10/1990 Burke ..... D8/1

**DESCRIPTION**

FIG. 1 is a top view of the present design a wire basket.  
 FIG. 2 is a top front perspective view of the present design a wire basket.  
 FIG. 3 is a cross-sectional view taken along section A-A of the present design a wire basket.  
 FIG. 4 is a cross-sectional view taken along section B-B of the present design a wire basket.  
 FIG. 5 is top front perspective view of the present design a wire basket deployed with a tree ball root; and,  
 FIG. 6 is a top front perspective view of the present design a wire basket deployed in a shipping configuration with a tree ball root.  
 The broken lines in the drawings represent environment and form no part of the claimed design.

**1 Claim, 3 Drawing Sheets**



(56)

**References Cited**

U.S. PATENT DOCUMENTS

D636,999	S	*	5/2011	Goodman	.....	D3/306
D646,933	S	*	10/2011	Goodman	.....	D7/601
D649,220	S	*	11/2011	Vreeland	.....	D23/209
D702,091	S	*	4/2014	Goodman	.....	D7/587
D702,327	S	*	4/2014	Dannrup	.....	D23/261
D723,805	S	*	3/2015	Habraken	.....	D3/306
D745,281	S	*	12/2015	Goodman	.....	D3/306
D751,186	S	*	3/2016	Romzek	.....	D23/410
D767,343	S	*	9/2016	Tsai	.....	D7/601
D784,088	S	*	4/2017	Goodman	.....	D7/601
2009/0038219	A1	*	2/2009	Bitel	.....	A01G 23/04 47/73

\* cited by examiner

Figure 1.

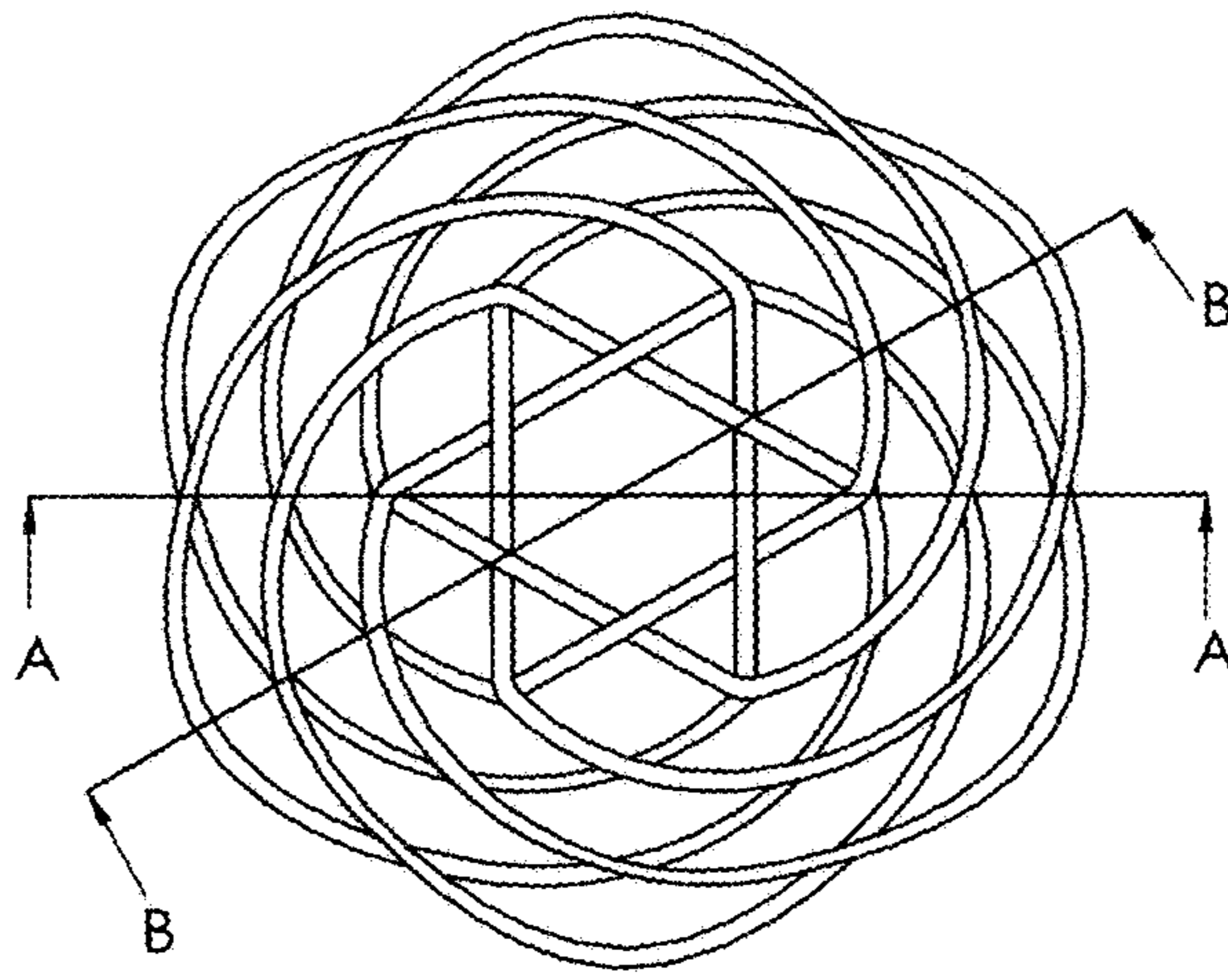


Figure 2.

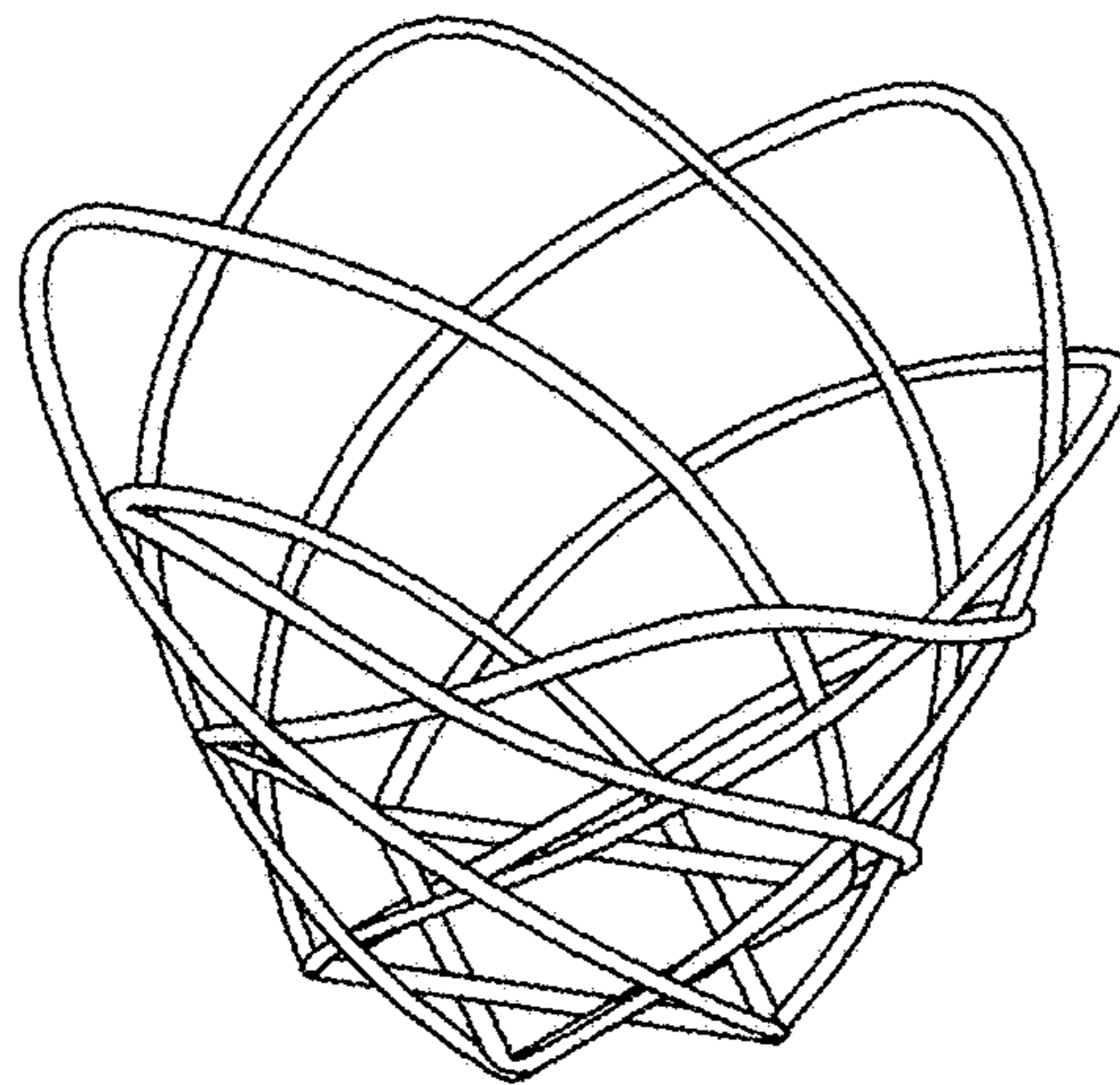
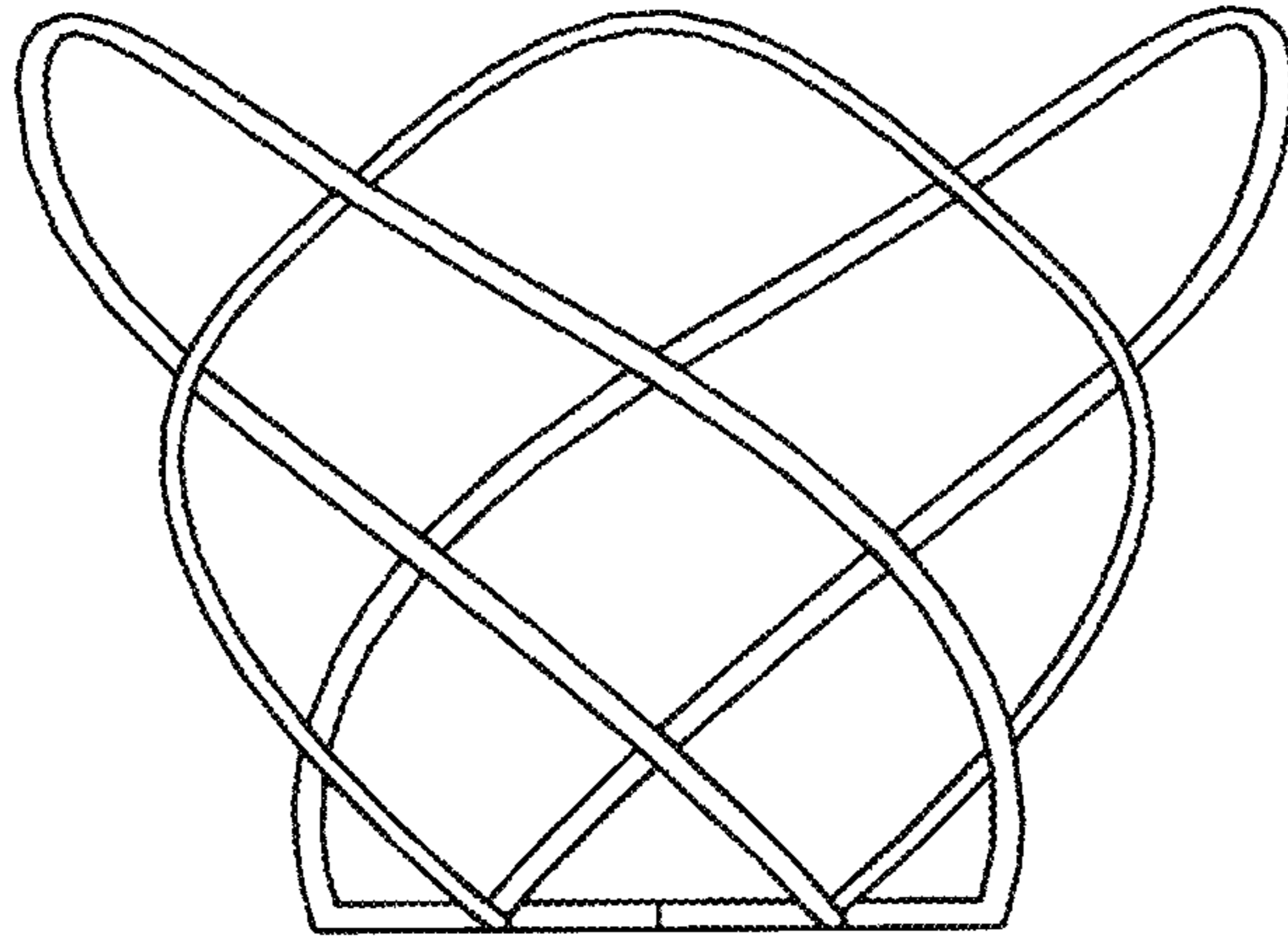
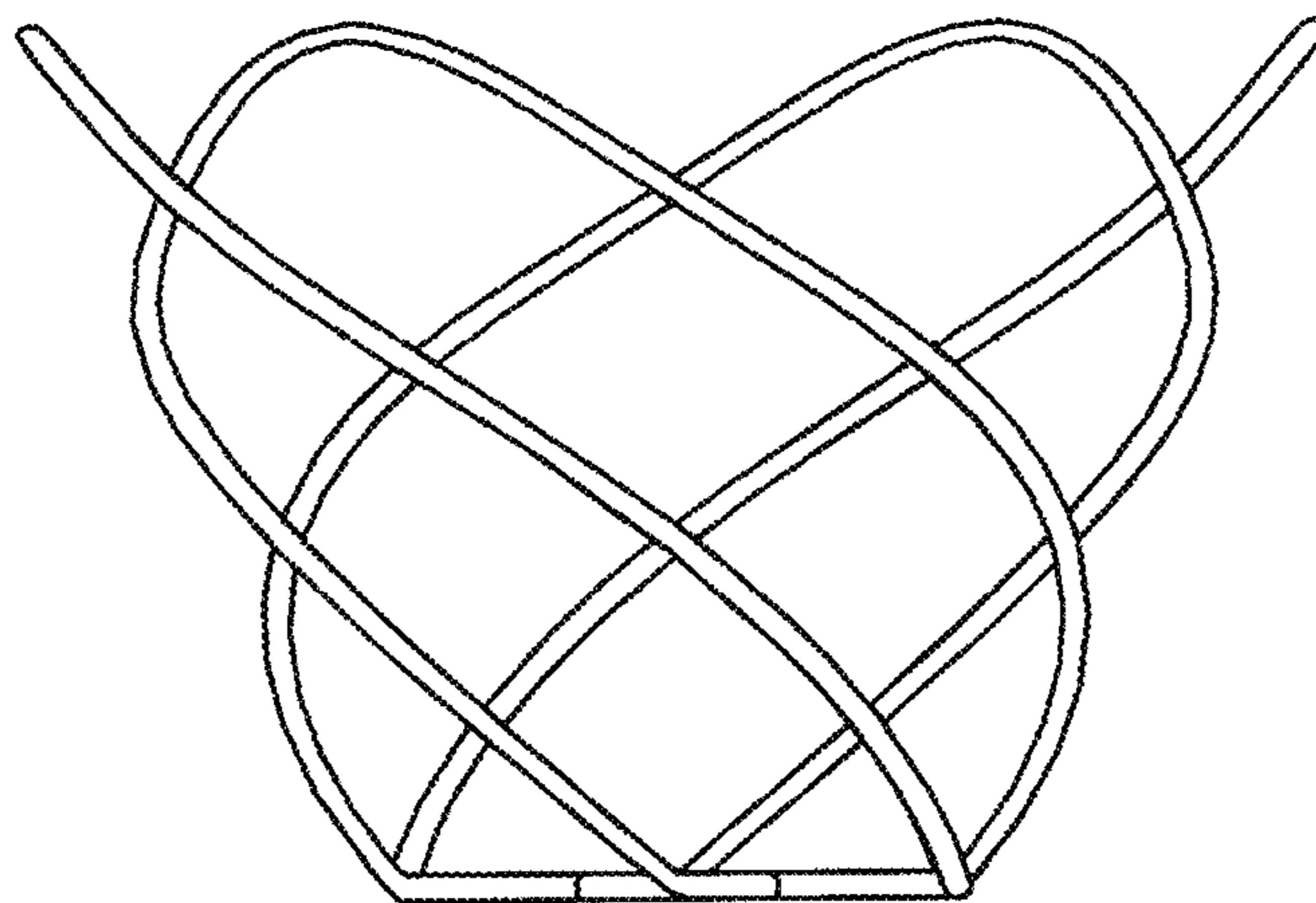


Figure 3.



SECTION A-A

Figure 4.



SECTION B-B



