



US00D807129S

(12) **United States Design Patent** (10) **Patent No.:** **US D807,129 S**
Martinez (45) **Date of Patent:** **** Jan. 9, 2018**

(54) **BEVERAGE HOLDER**
(71) Applicant: **Justin Martinez**, Arlington, TX (US)
(72) Inventor: **Justin Martinez**, Arlington, TX (US)
(**) Term: **15 Years**
(21) Appl. No.: **29/572,431**
(22) Filed: **Jul. 28, 2016**
(51) **LOC (11) Cl.** **07-06**
(52) **U.S. Cl.**
USPC **D7/701**
(58) **Field of Classification Search**
USPC D3/313; D6/552, 672; D7/601, 602,
D7/619.1, 620, 624.1, 701-704, 707, 708;
D9/414, 427, 428, 443, 455-457, 753;
D32/58
CPC A47B 73/00; A47B 73/006
See application file for complete search history.

D608,609 S * 1/2010 Eaton D7/701
D673,015 S * 12/2012 Durnell D7/702
D699,085 S * 2/2014 Reid, Jr. D7/701
D705,618 S * 5/2014 Reid, Jr. D7/701
D729,073 S 5/2015 Wasilewski
D770,896 S * 11/2016 Johansson D9/456
D786,029 S * 5/2017 Pannell D7/708

OTHER PUBLICATIONS

Alibaba. Hand Decorated Shot Glass Paddle and Menu Holder For Party. 2017 [earliest online date], [site visited Jul. 18, 2017]. Available from Internet, <URL:https://www.alibaba.com/product-detail/Hand-Decorated-Shot-Glass-Paddle-And_60491939048.html>.*
Amazon. Serving Tray Holds 12 Cups in Place. Jul. 6, 2016 [earliest online date], [site visited Jul. 18, 2017]. Available from Internet, <URL:https://uedata.amazon.com/Tea-Box-Holder-Slotted-Beverage/dp/B010LASLVS>.*

(Continued)

Primary Examiner — Robert M Spear
Assistant Examiner — Darcey E Heflin
(74) *Attorney, Agent, or Firm* — Raj Abhyanker, P.C.

(56) **References Cited**

U.S. PATENT DOCUMENTS

D55,496 S * 6/1920 White D7/590
D127,563 S * 6/1941 Cloutier D7/701
D181,080 S * 9/1957 Tomarin D7/708
3,840,171 A * 10/1974 Waters B65D 71/72
206/139
D247,533 S * 3/1978 Noyes D6/514
D311,115 S * 10/1990 Abraham D7/708
D314,314 S * 2/1991 Shipman D7/708
D323,447 S * 1/1992 Booz D7/705
D381,515 S * 7/1997 Haynes D24/224
D382,200 S 8/1997 Brondyke et al.
D515,941 S * 2/2006 Hamblin D24/230
D528,876 S * 9/2006 King D7/701
D572,588 S * 7/2008 Osborn D9/456
D589,626 S * 3/2009 Petersen D24/230
D601,343 S * 10/2009 Franczyk D3/313

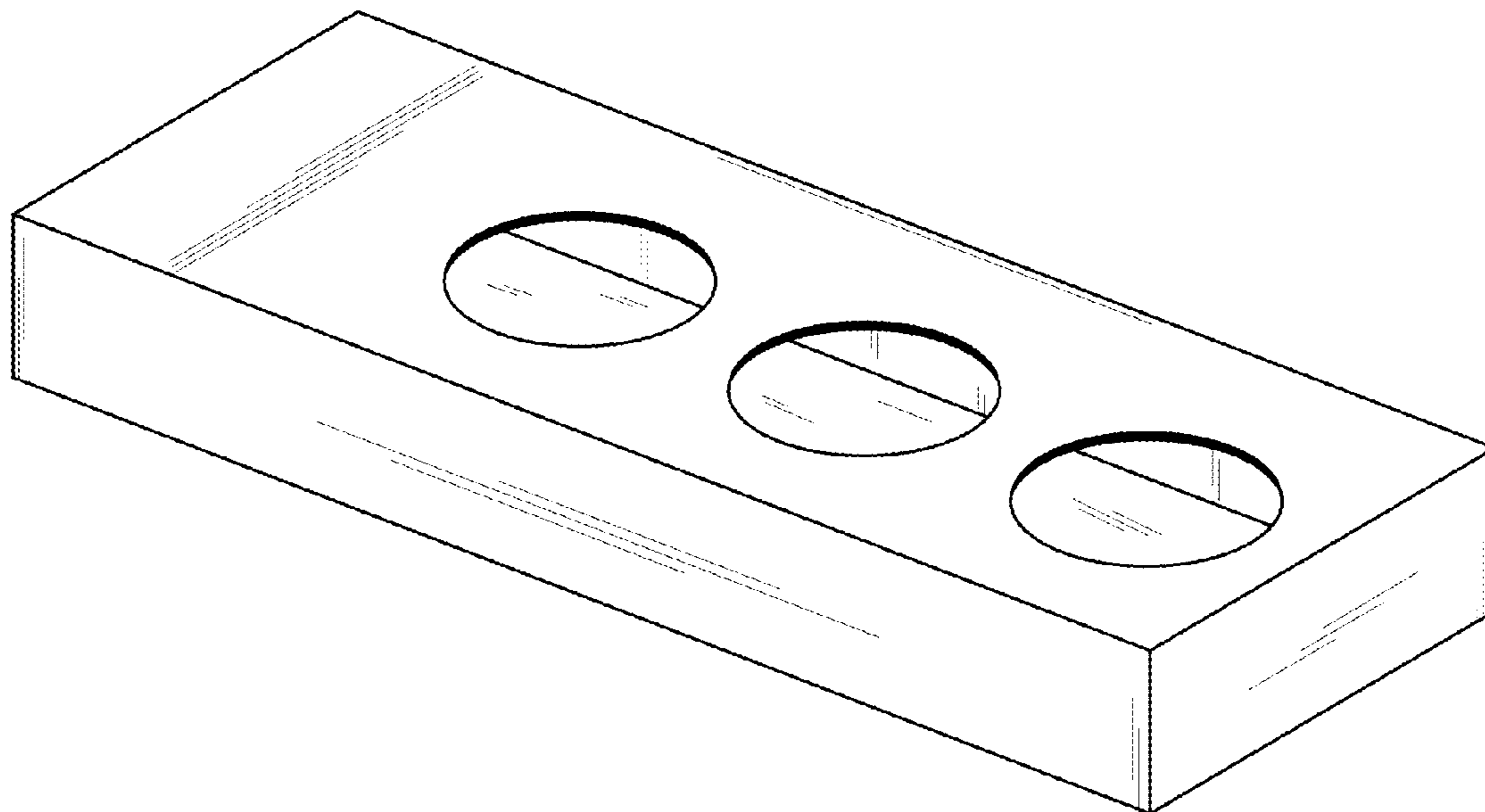
(57) **CLAIM**

The ornamental design for a beverage holder, as shown and described.

DESCRIPTION

FIG. 1 is a rear, left top perspective view for a beverage holder, showing my new design;
FIG. 2 is a rear, left bottom perspective view thereof;
FIG. 3 is a front elevational view thereof;
FIG. 4 is a rear elevational view thereof;
FIG. 5 is a left side elevational view thereof;
FIG. 6 is a right side elevational view thereof;
FIG. 7 is a top plan view thereof; and,
FIG. 8 is a bottom plan view thereof.

1 Claim, 6 Drawing Sheets



(56)

References Cited

OTHER PUBLICATIONS

“Disposable Paper Coffee Cup Tray” by Suneka, Found Online [Nov. 7, 2016] <http://image.made-in-china.com/43f34j00PKREJBbGnmkg/Disposable-Paper-Coffee-Cup-Tray.jpg>.
“Cardboard coffee paper cup holder” by Safe Printing Huang, Found Online [Nov. 7, 2016] <https://sc01.alicdn.com/kf/HTB1j1k8GXXXXXXmXFXXq6xXFXXq/200365869/HTB1j1k8GXXXXXXmXFXXq6xXFXXq.jpg>.
“Quad cupholders” by Bag Line, Found Online [Nov. 7, 2016] http://bagline.com.mx/img/box3_img/6_b.jpg.
“4 pack coffee carrier cup holder” by Wowbo Paper Packaging, Found Online [Nov. 7, 2016] https://sc02.alicdn.com/kf/HTB12IIILpXXXXbEXpXXq6xXFXX4/hot-sale-corrugated-4-pack-coffee-carrier.jpg_350x350.jpg.
“Cardboard cup holders” by Bella Wu, Shanghai Eastern Printing & Packing, Found Online [Nov. 7, 2016] http://sc02.alicdn.com/kf/HTB1OV.eJVXXXXbOXFXXq6xXFXXi/2012-new-cardboard-cup-holders.jpg_200x200.jpg.
“POP Cardboard for Eco Cups” by Shenzhen, Found Online [Nov. 7, 2016] http://www.popcardboarddisplays.com/photo/pl206418-pop_cardboard_displays_encb002_for_eco_cups_standing_with_offset_4_color_printing.jpg.
US Trademark Serial No. 87113094; Word Mark—Trio on the Green Bites & Flights.

* cited by examiner

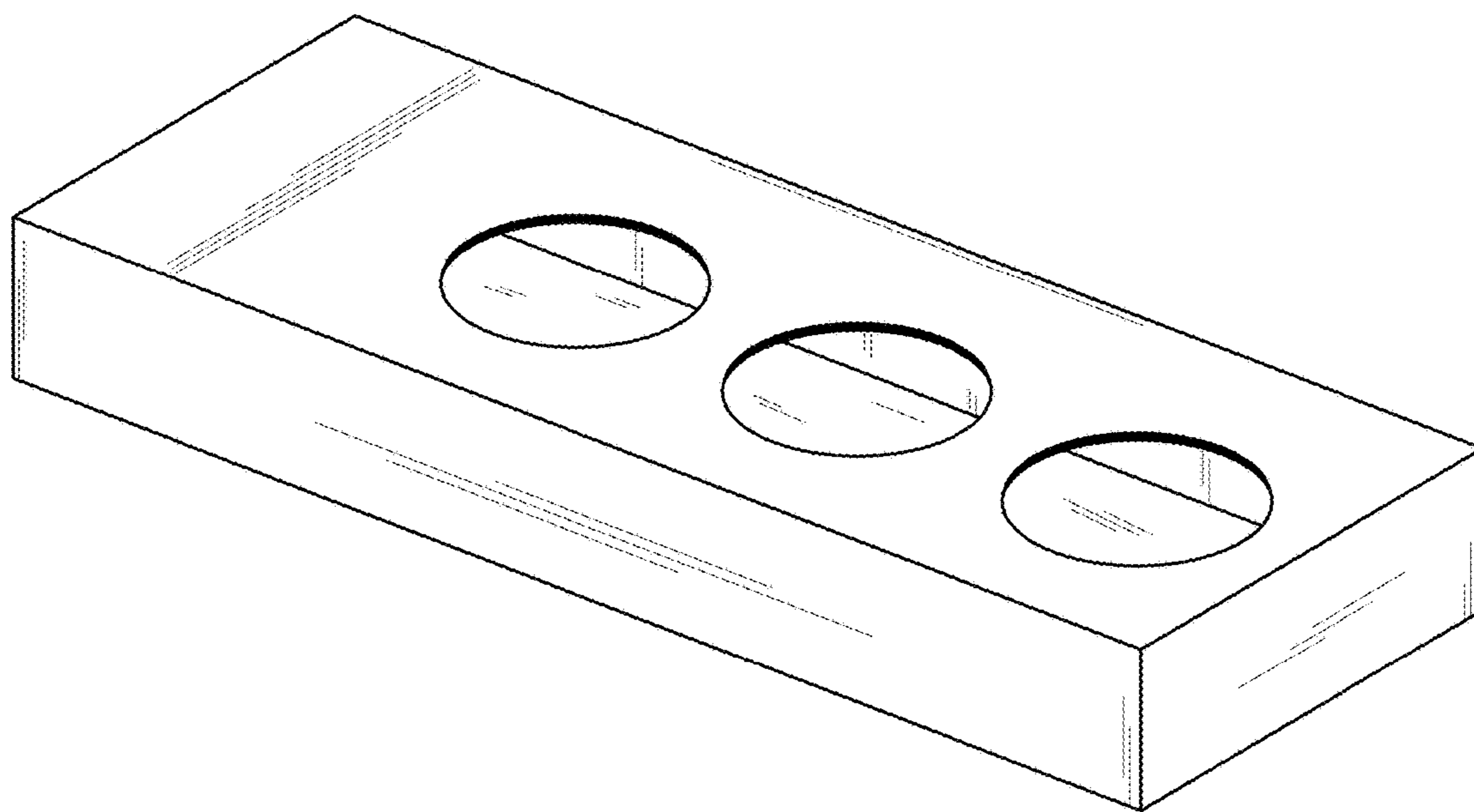


FIG. 1

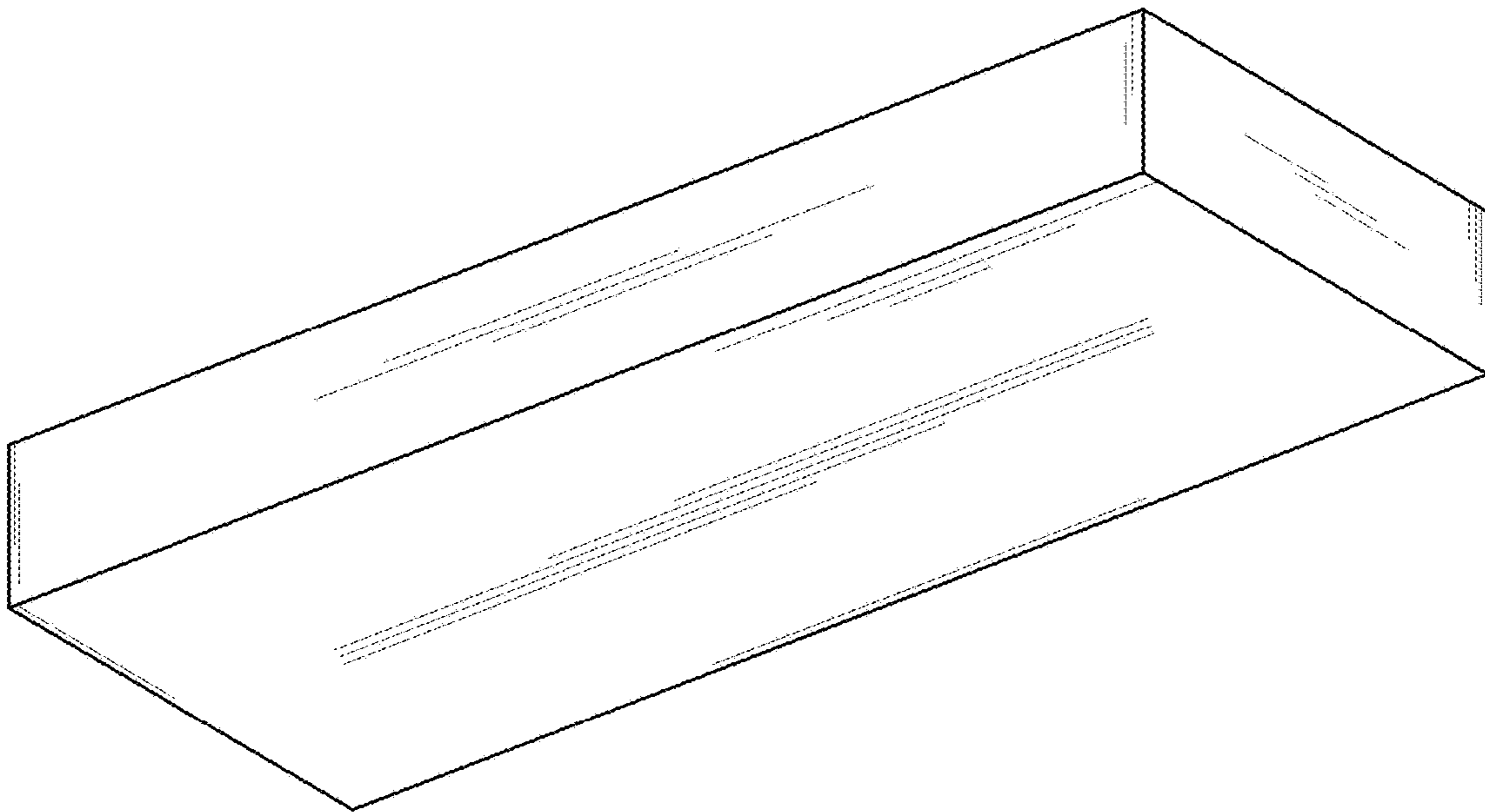


FIG. 2



FIG. 3

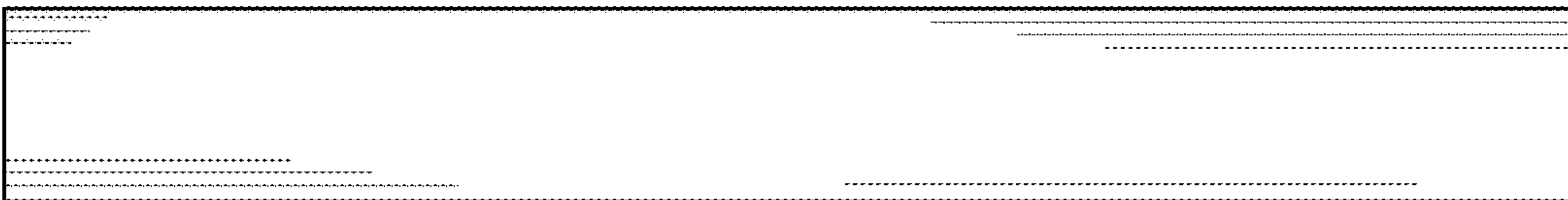


FIG. 4



FIG. 5

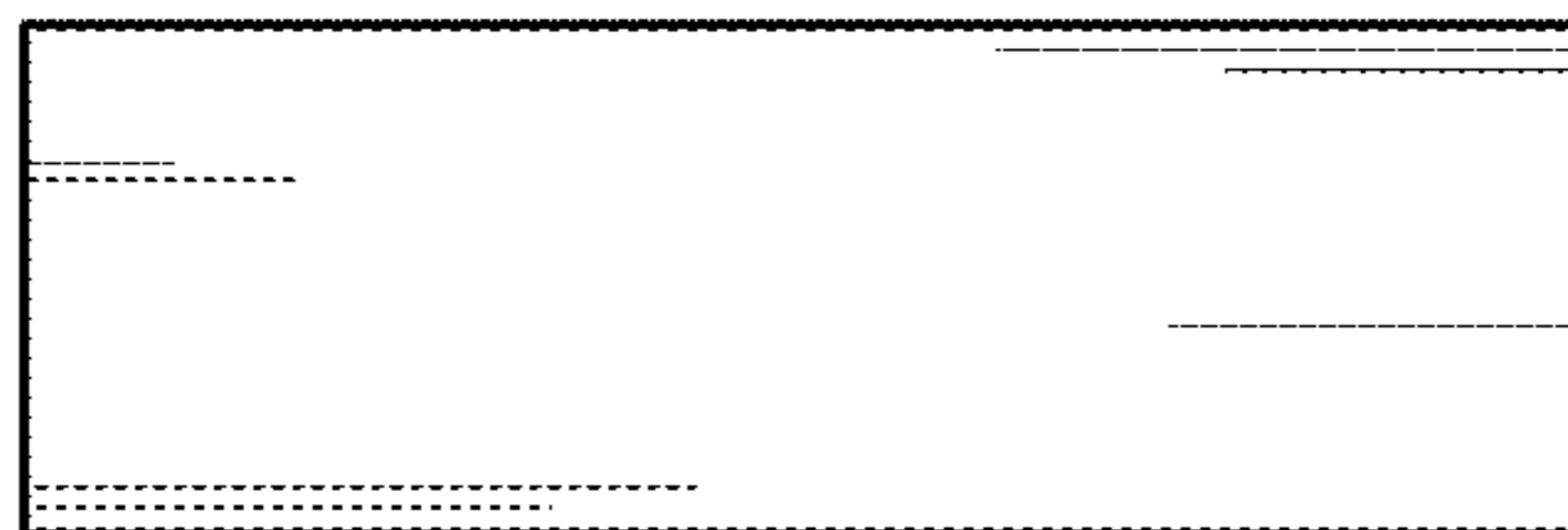


FIG. 6

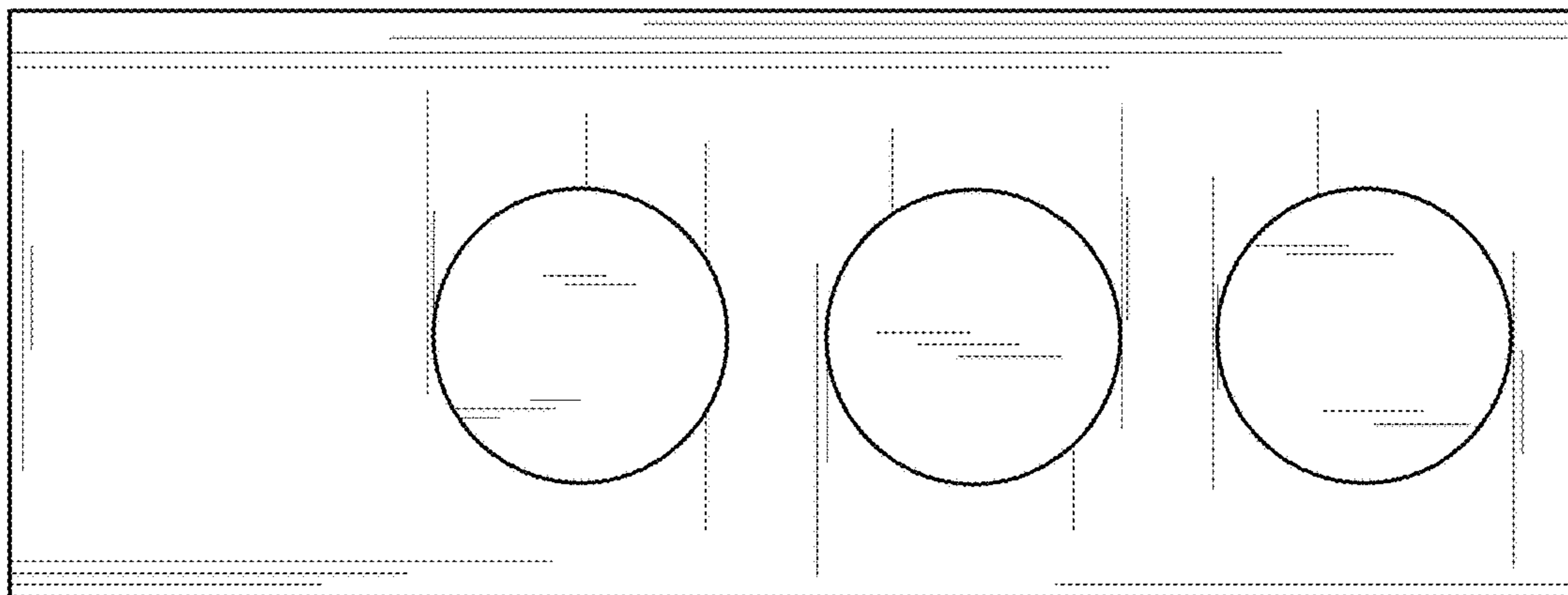


FIG. 7

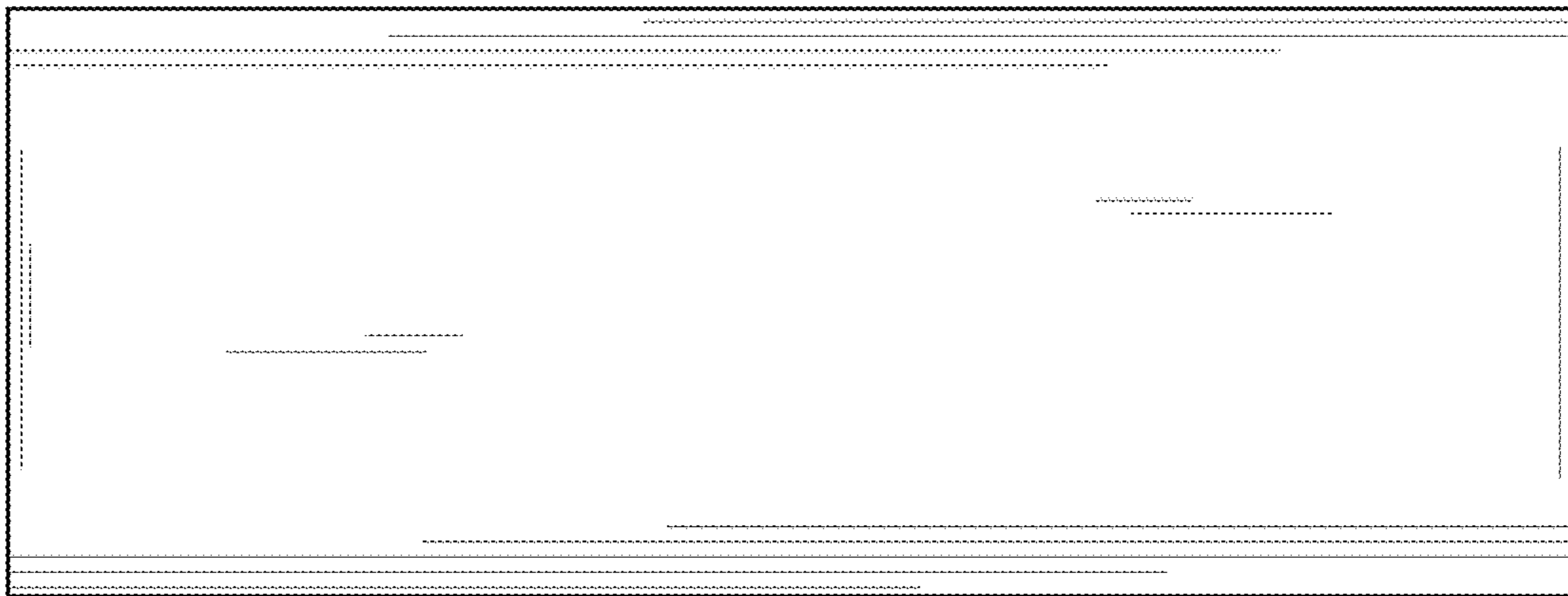


FIG. 8