



US00D807123S

(12) **United States Design Patent** (10) **Patent No.:** **US D807,123 S**  
**Carey et al.** (45) **Date of Patent:** **\*\* Jan. 9, 2018**

(54) **COOLER**  
(71) Applicant: **CHARD INTERNATIONAL, LLC.,**  
Two Rivers, WI (US)  
(72) Inventors: **Richard Carey, Two Rivers, WI (US);**  
**Ross Niemi, Chicago, IL (US)**  
(73) Assignee: **The Metal Ware Corporation, Two**  
Rivers, WI (US)

D283,480 S 4/1986 Bailey  
D283,966 S 5/1986 Carlson  
D291,858 S 9/1987 Baker et al.  
4,702,504 A 10/1987 Brothers  
D305,397 S 1/1990 Balius  
D307,998 S 5/1990 Costello et al.  
D322,198 S 12/1991 Dringenburg  
D325,323 S \* 4/1992 Kahl ..... D7/605  
D325,324 S 4/1992 Kahl  
D325,853 S 5/1992 Kahl  
D328,221 S 7/1992 Piccarillo  
D328,689 S 8/1992 Riskowski

(Continued)

(\*\*) Term: **15 Years**

*Primary Examiner* — Terry Wallace

(21) Appl. No.: **29/553,277**

(74) *Attorney, Agent, or Firm* — Seager, Tufte & Wickhem LLP

(22) Filed: **Jan. 29, 2016**

(51) **LOC (11) Cl.** ..... **07-01**

(57) **CLAIM**

(52) **U.S. Cl.**  
USPC ..... **D7/605**

The ornamental design for a cooler, as shown and described.

(58) **Field of Classification Search**  
USPC ..... D7/605–608  
CPC ... A45C 11/20; F25D 3/08; F25D 3/14; F25D  
2331/804; B65D 81/3823; A47J 41/022;  
A47G 19/2288

**DESCRIPTION**

See application file for complete search history.

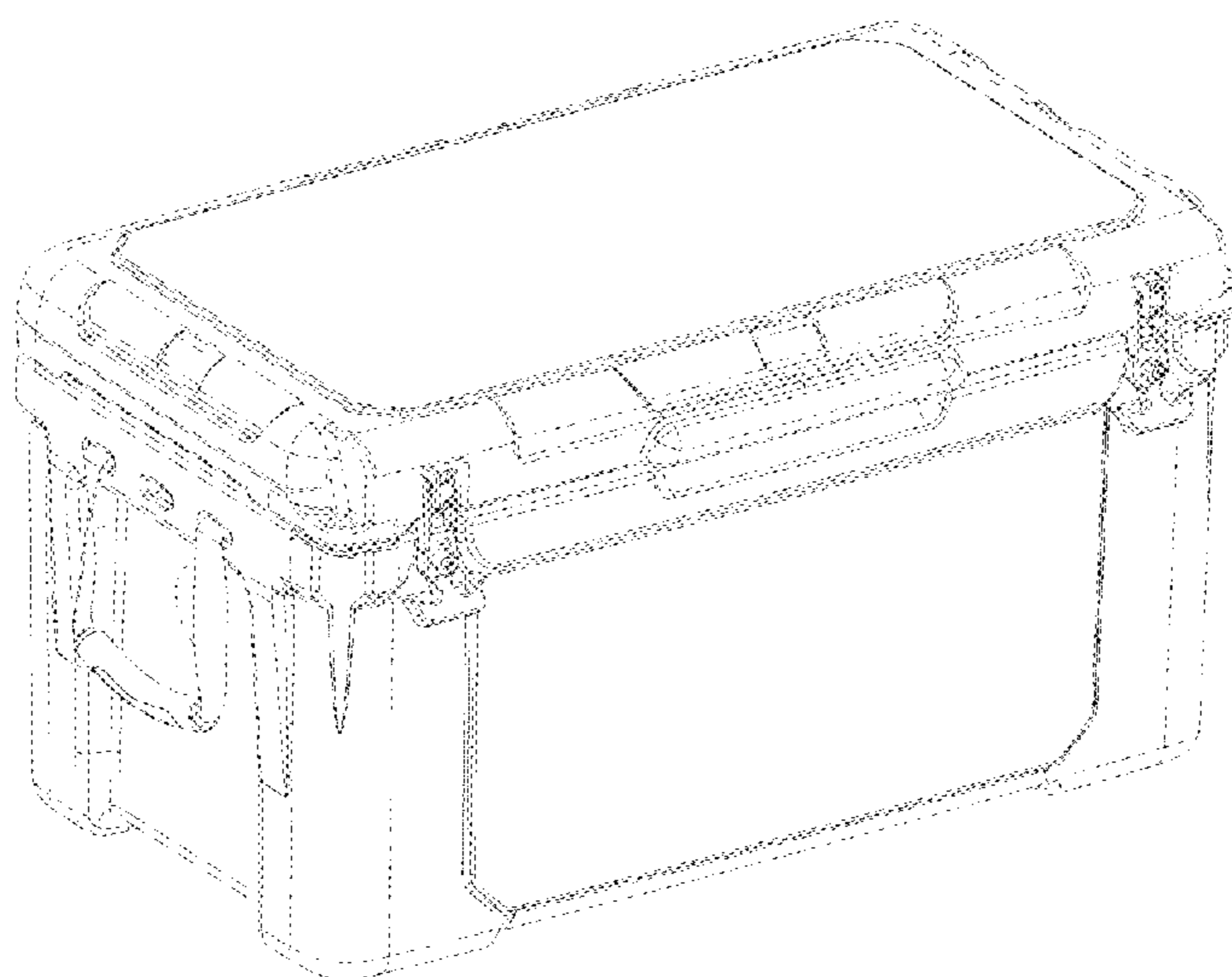
FIG. 1 is a top perspective view of an embodiment of a cooler;  
FIG. 2 is a front side view of the cooler of FIG. 1;  
FIG. 3 is a back side view of the cooler of FIG. 1;  
FIG. 4 is a left side view of the cooler of FIG. 1;  
FIG. 5 is a right side view of the cooler of FIG. 1;  
FIG. 6 is a top side view of the cooler of FIG. 1;  
FIG. 7 is a bottom side view of the cooler of FIG. 1;  
FIG. 8 is a top perspective view of a further embodiment of a cooler;  
FIG. 9 is a front side view of the cooler of FIG. 8;  
FIG. 10 is a back side view of the cooler of FIG. 8;  
FIG. 11 is a left side view of the cooler of FIG. 8;  
FIG. 12 is a right side view of the cooler of FIG. 8;  
FIG. 13 is a top side view of the cooler of FIG. 8; and,  
FIG. 14 is a bottom side view of the cooler of FIG. 8.  
The broken lines in the drawings illustrate portions in the article that form no part of the claim.

(56) **References Cited**

U.S. PATENT DOCUMENTS

1,483,953 A 2/1924 Rainey  
D70,542 S 7/1926 Davis et al.  
1,699,313 A 1/1929 Schlaich  
2,960,216 A 11/1960 Brady  
D210,795 S 4/1968 Birger et al.  
3,782,765 A 1/1974 Wallyn  
D232,798 S 9/1974 Roche  
D237,135 S 10/1975 Wiant et al.  
D257,934 S 1/1981 Buss  
D259,232 S 5/1981 Tarozzi  
D266,822 S 11/1982 Seager  
D270,604 S 9/1983 Zauft  
D281,695 S 12/1985 Ryan, Jr.

**1 Claim, 14 Drawing Sheets**



(56)

References Cited

U.S. PATENT DOCUMENTS

D330,329 S	10/1992	Brightbill	D521,810 S	5/2006	Estes	
D333,775 S	3/1993	Krape	D527,225 S *	8/2006	Krieger .....	D7/605
D334,868 S	4/1993	Lau Woon	D528,368 S	9/2006	Maldonado	
D340,167 S	10/1993	Kahl	D552,426 S *	10/2007	Jones .....	D7/605
D340,620 S	10/1993	Peters	D560,102 S	1/2008	Sumter	
D349,007 S	7/1994	Costello	D563,731 S	3/2008	Thurston	
D351,318 S	10/1994	Wedi	D566,479 S *	4/2008	Kabalin .....	D3/273
D352,208 S	11/1994	Brookshire	D575,059 S	8/2008	Cappiello et al.	
D353,304 S	12/1994	Friedrich	D587,972 S	3/2009	Dorisca et al.	
D354,419 S *	1/1995	Kahl .....	7,533,782 B2	5/2009	Parker et al.	
D366,599 S	1/1996	Brown et al.	7,540,364 B2	6/2009	Sanderson	
D369,722 S	5/1996	Lopez, Jr. et al.	D604,994 S	12/2009	Greenlees et al.	
D370,159 S	5/1996	Fenton et al.	D613,109 S	4/2010	Sanchez et al.	
D374,772 S *	10/1996	Hotaling .....	D613,560 S	4/2010	Robichaud et al.	
D376,068 S	12/1996	Coy	7,722,204 B1	5/2010	Sandberg	
5,607,195 A	3/1997	Antonucci	D634,982 S	3/2011	Melchert et al.	
D380,369 S	7/1997	Antonucci	D637,459 S	5/2011	Giese	
D386,649 S	11/1997	Arnfelt	D640,102 S	6/2011	Hawkins	
5,683,097 A	11/1997	Fenton et al.	D645,248 S	9/2011	Osiecki et al.	
5,735,428 A	4/1998	Chern	D646,528 S	10/2011	Stallman et al.	
5,738,238 A	4/1998	Yang	D651,860 S *	1/2012	Nie .....	D7/605
5,742,990 A	4/1998	Antonucci	D652,262 S *	1/2012	Yang .....	D7/605
D394,550 S	5/1998	Tanji	D660,885 S	5/2012	Crawford	
D396,779 S	8/1998	Moffett, III et al.	8,210,702 B1	7/2012	Sandberg	
D397,585 S	9/1998	Rausch et al.	D694,070 S	11/2013	Torres	
D398,816 S	9/1998	Koutsouflakis	D712,720 S	9/2014	Seiders	
D407,609 S	4/1999	Rausch	D712,721 S	9/2014	Seiders	
D415,393 S	10/1999	Kei	D712,722 S	9/2014	Seiders	
D415,658 S	10/1999	Frehse	D712,723 S	9/2014	Seiders	
D421,552 S	3/2000	Frehse	D714,125 S	9/2014	Seiders	
D423,294 S	4/2000	Klein et al.	8,887,515 B2 *	11/2014	Patstone .....	F25D 3/08 62/457.2
D429,606 S	8/2000	Israel et al.	8,910,819 B2	12/2014	Seiders	
D437,736 S	2/2001	Moffett, III et al.	9,187,232 B2	11/2015	Seiders	
D439,406 S	3/2001	Zimmerman	D747,950 S	1/2016	Jacobsen et al.	
D439,913 S	4/2001	Jobst	D747,951 S	1/2016	Jacobsen et al.	
D454,292 S	3/2002	Plummer et al.	D748,452 S	2/2016	Jacobsen et al.	
6,398,272 B1	6/2002	Plummer et al.	D750,953 S	3/2016	Jacobsen et al.	
D467,470 S	12/2002	Cantor et al.	2008/0025544 A1	1/2008	Maldonado	
D467,770 S	12/2002	Blalock	2008/0110892 A1	5/2008	House	
D475,248 S	6/2003	Cantor et al.	2009/0139245 A1 *	6/2009	Blackway .....	F25B 21/02 62/3.62
D486,457 S	2/2004	Leba et al.	2011/0203297 A1	8/2011	Oberweis	
D494,021 S	8/2004	Huthmaker	2012/0132657 A1	5/2012	Seiders	
D511,247 S	11/2005	Tsuchiya	2014/0252010 A1	9/2014	Miller	
D511,624 S	11/2005	Rosine et al.				

\* cited by examiner

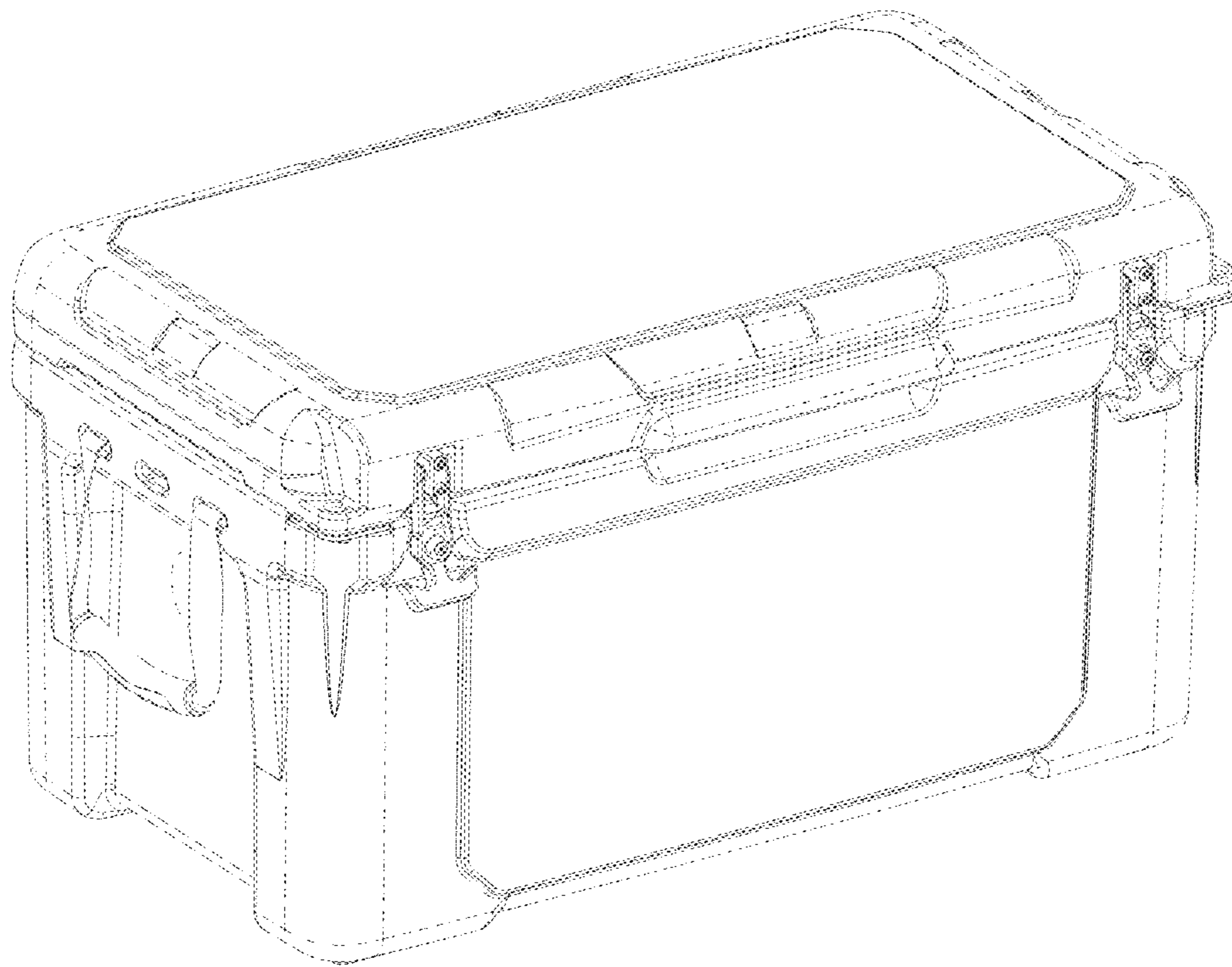


Figure 1

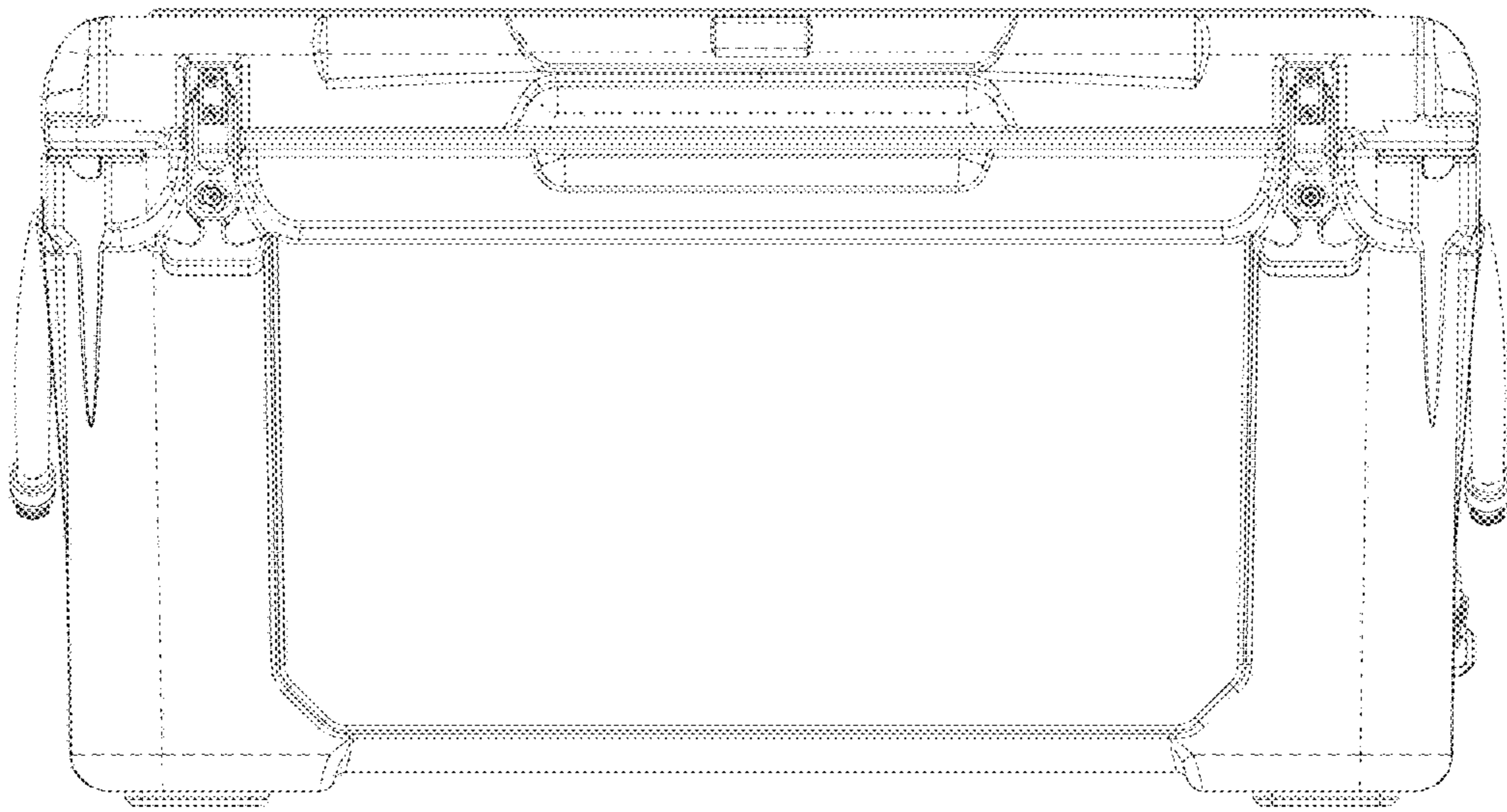


Figure 2

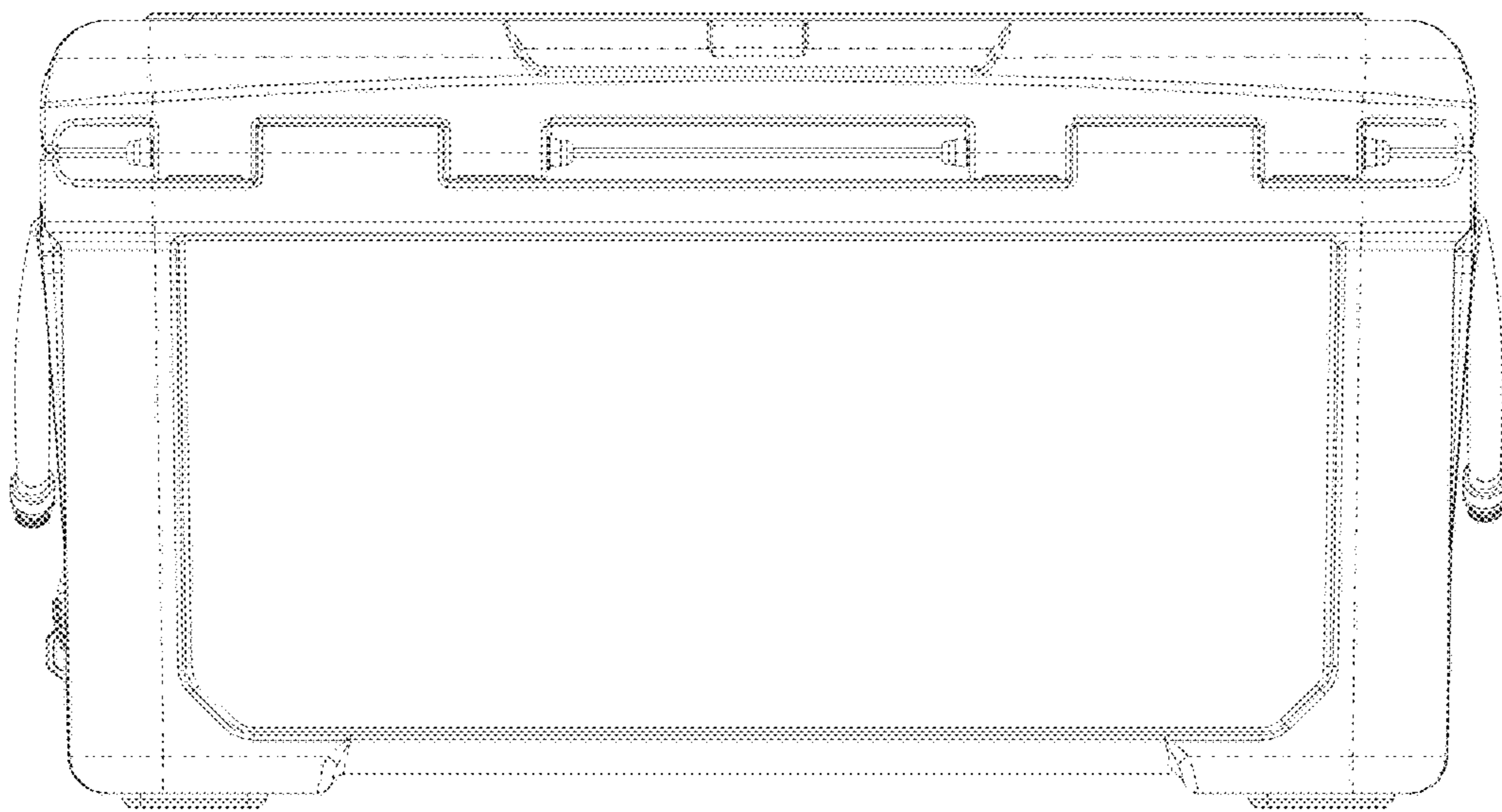


Figure 3



Figure 4

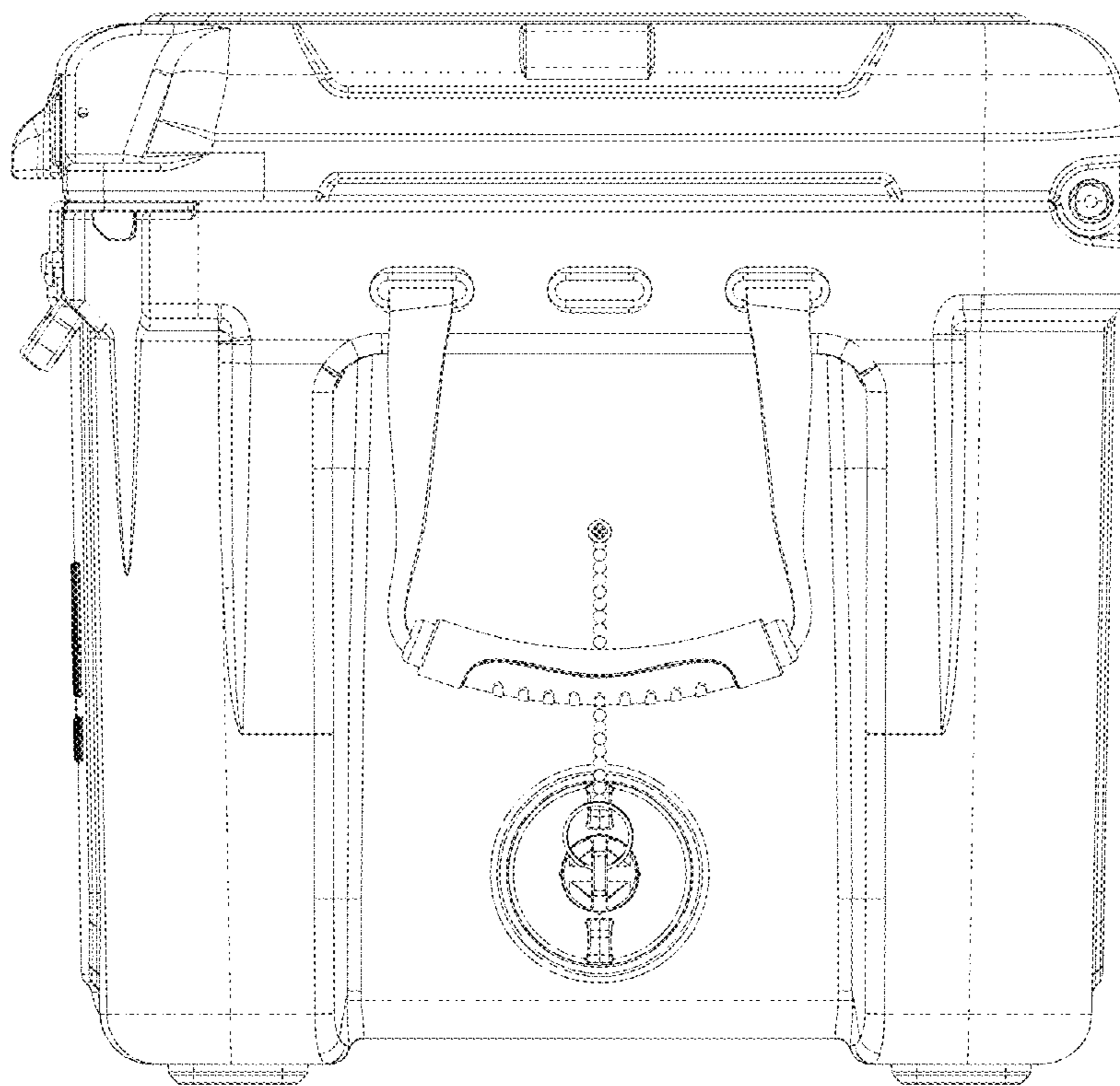


Figure 5

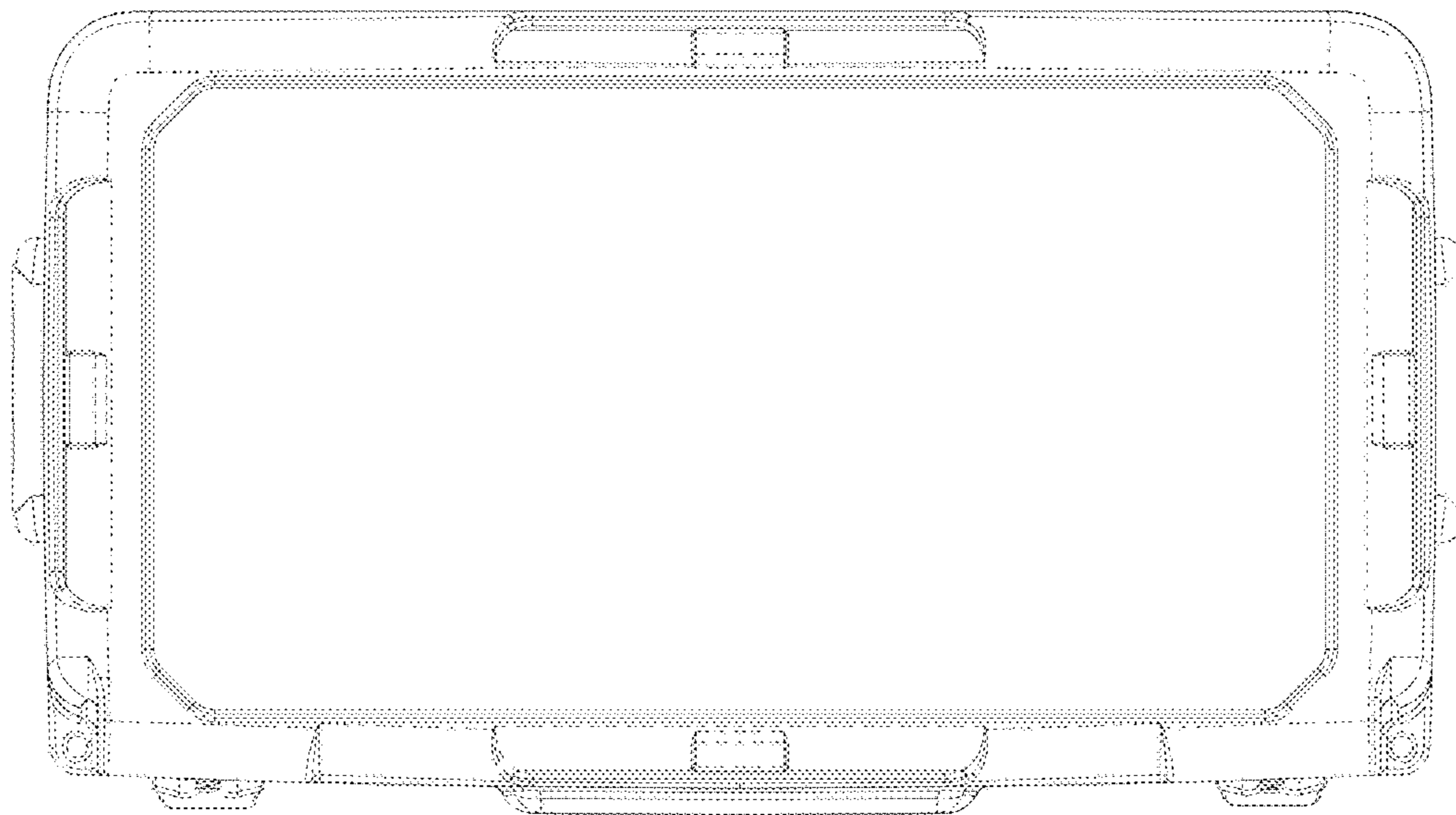


Figure 6



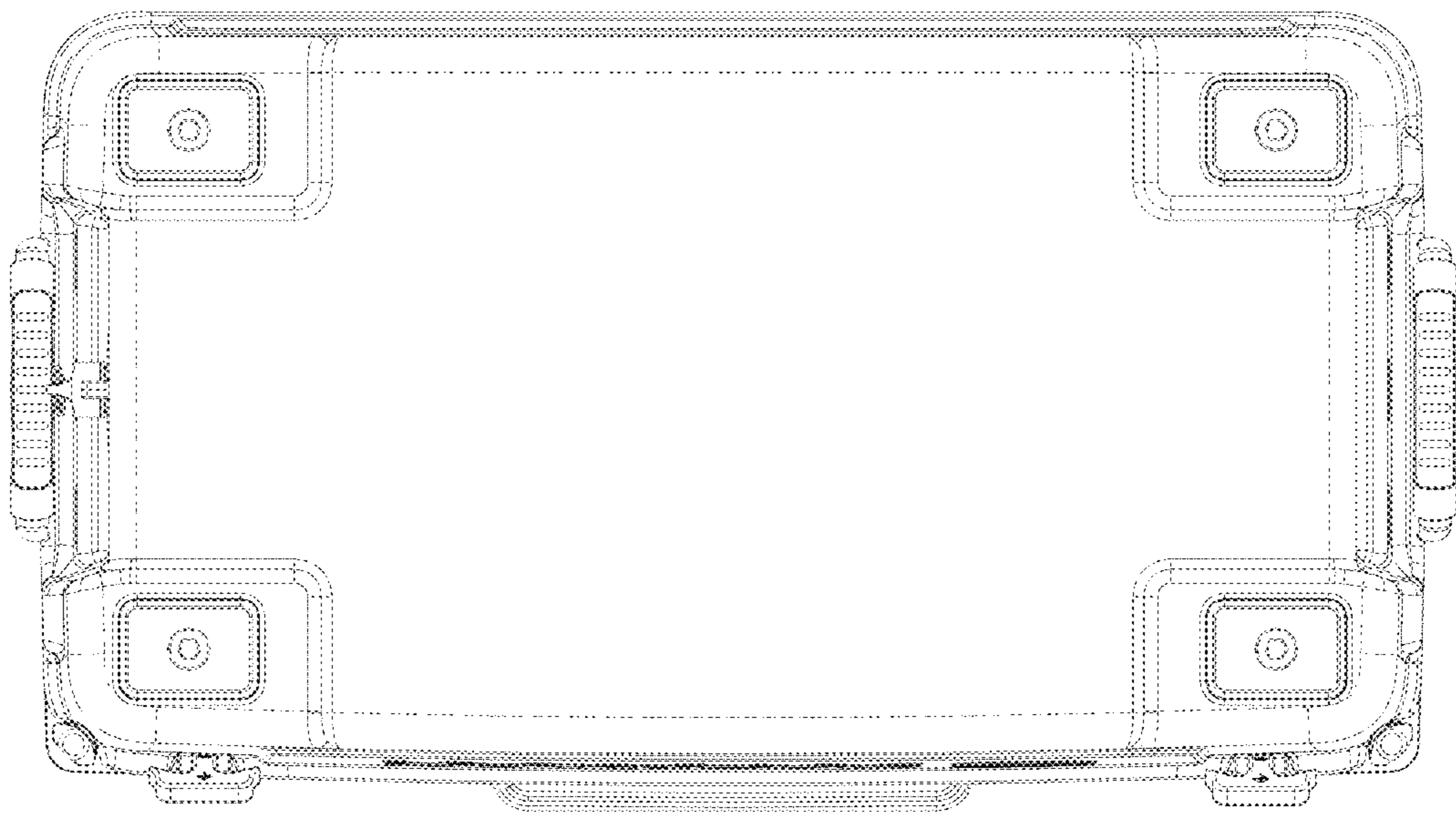


Figure 7

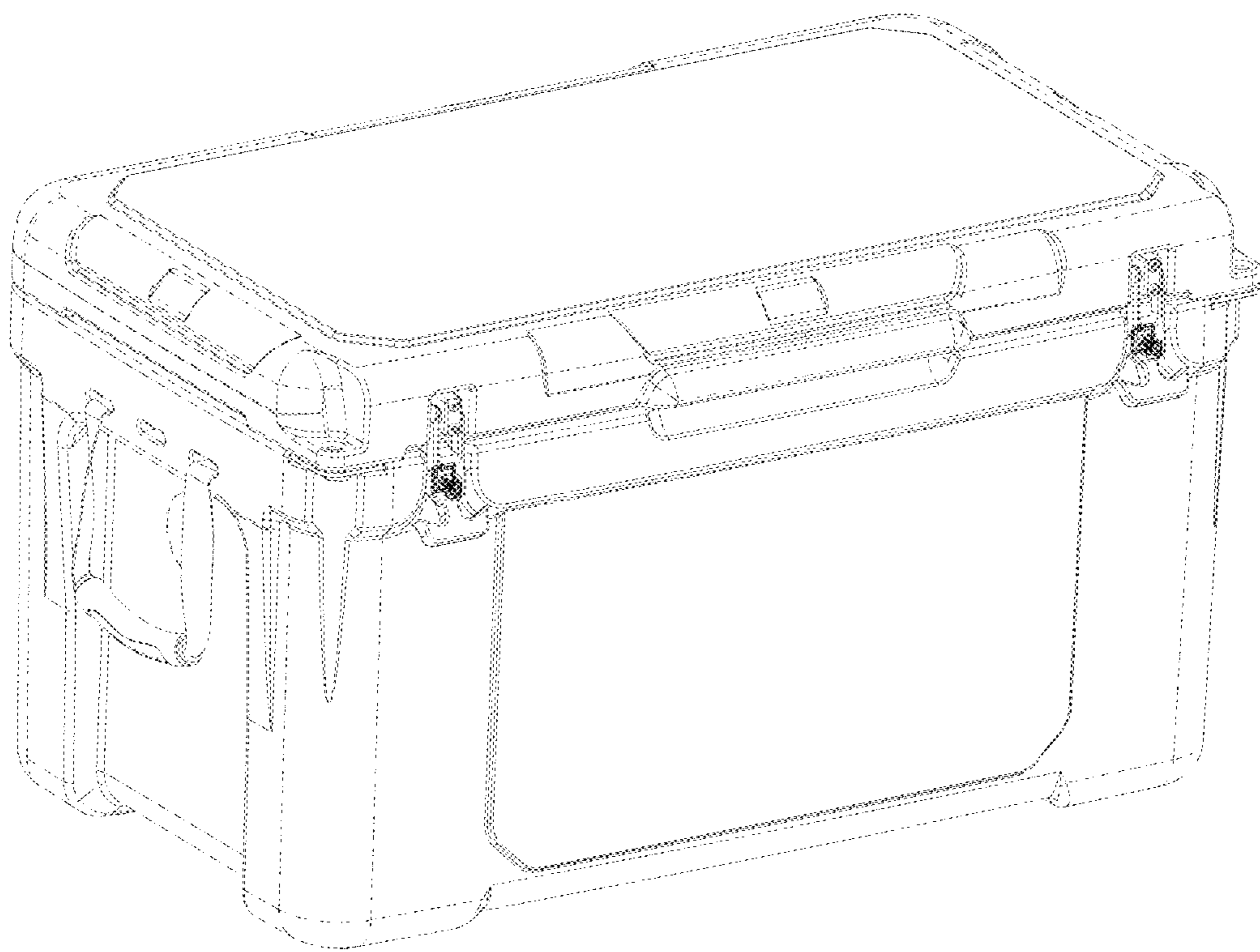


Figure 8

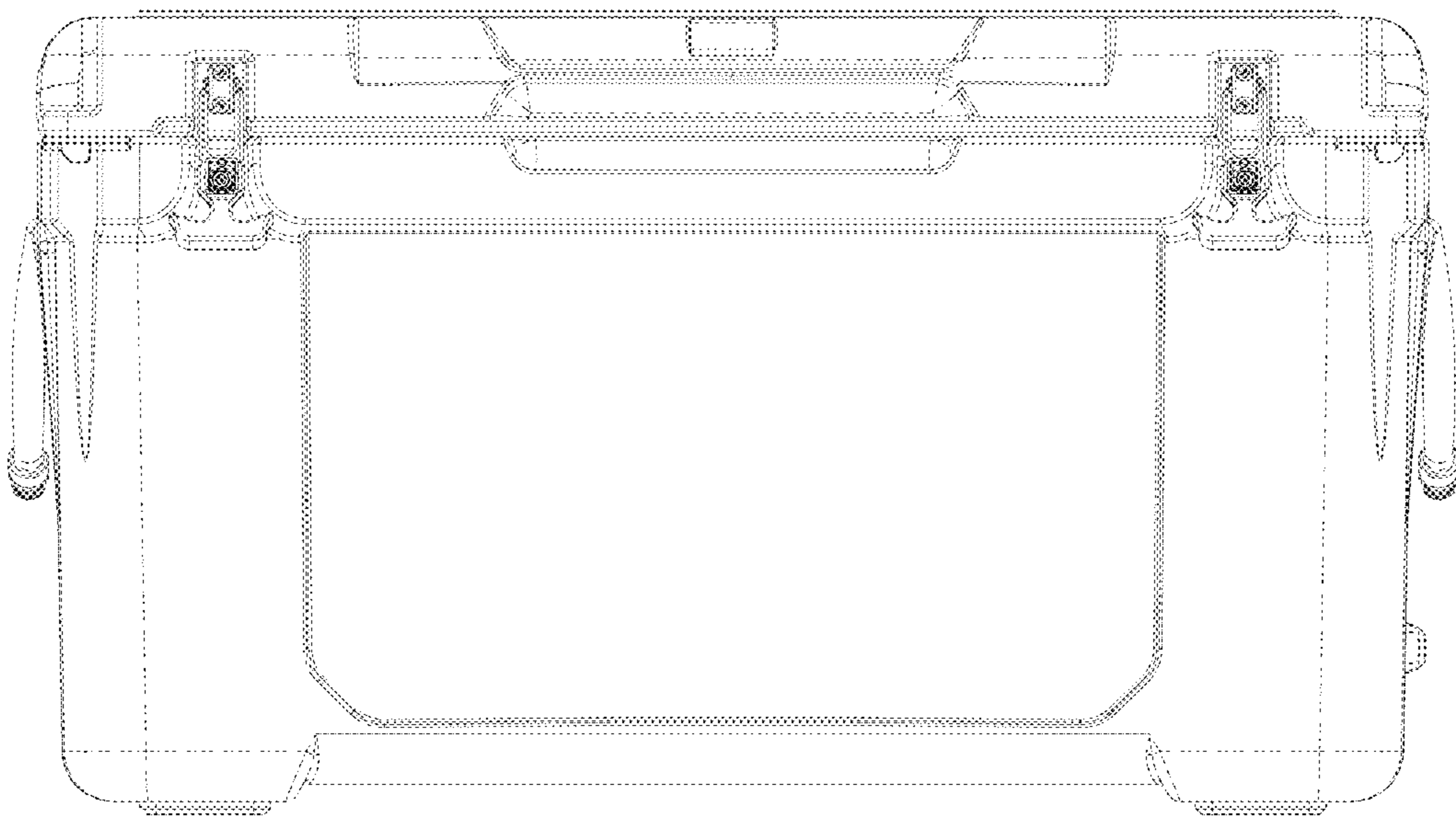


Figure 9

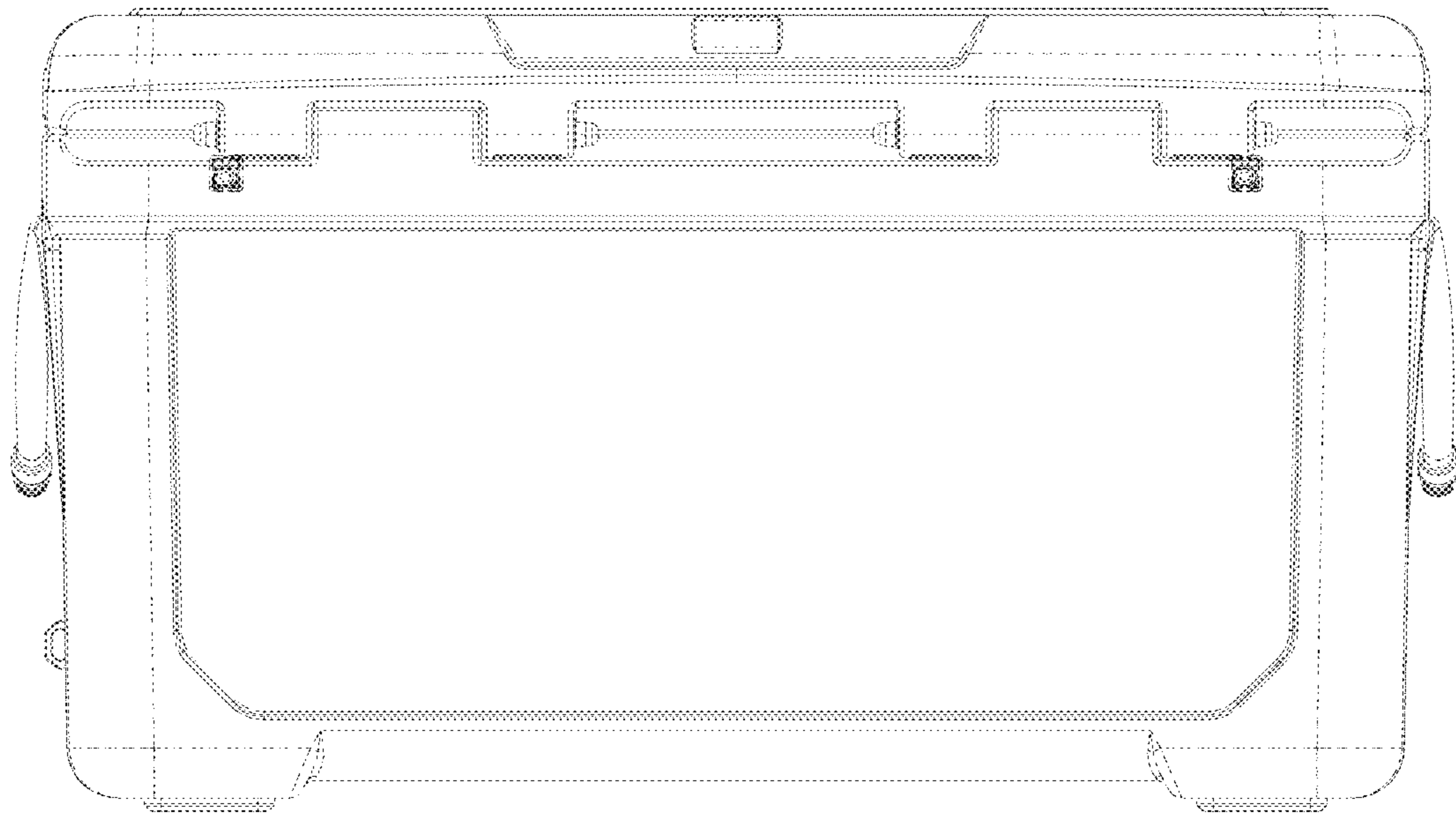


Figure 10



Figure 11



Figure 12

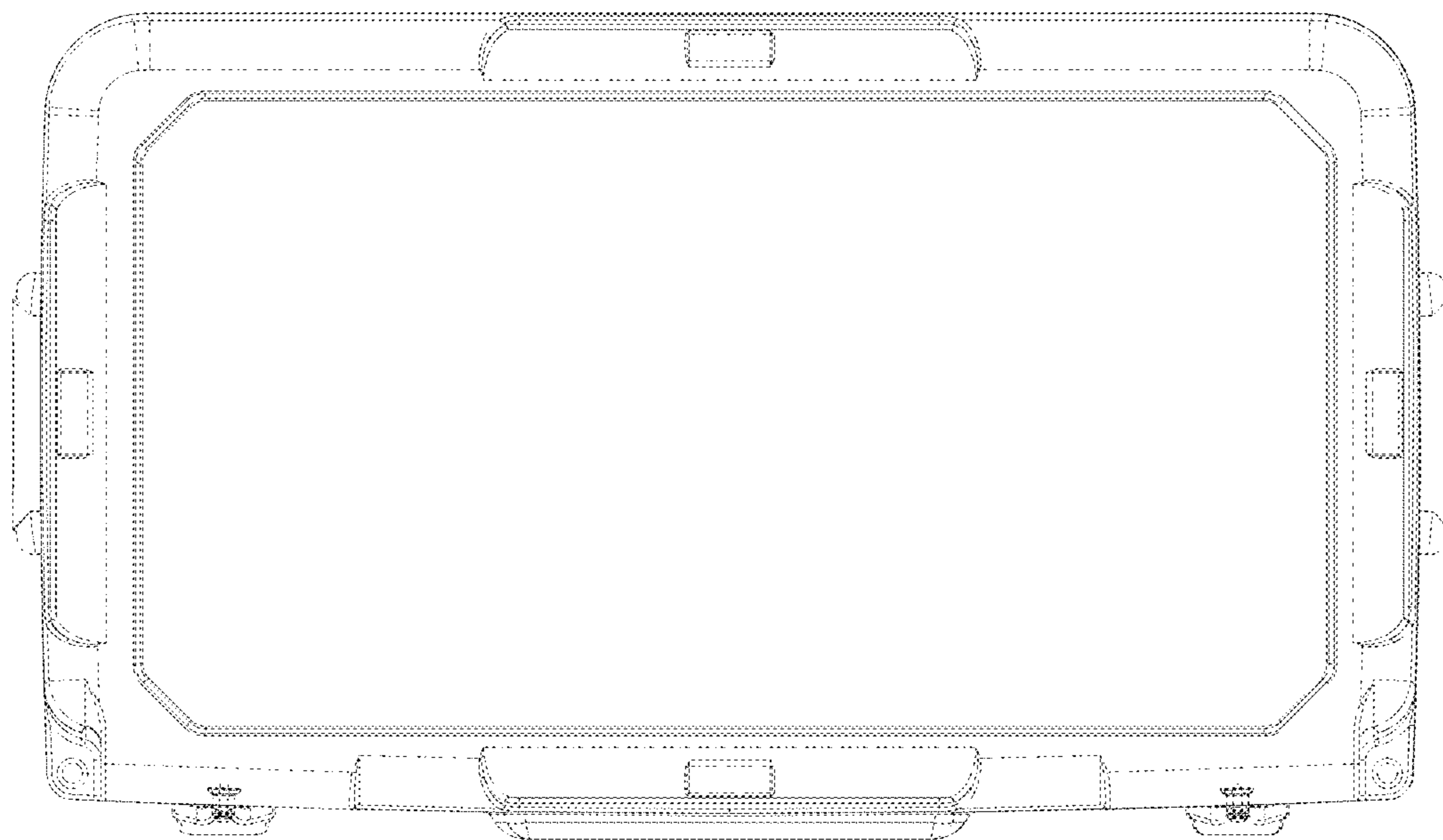


Figure 13

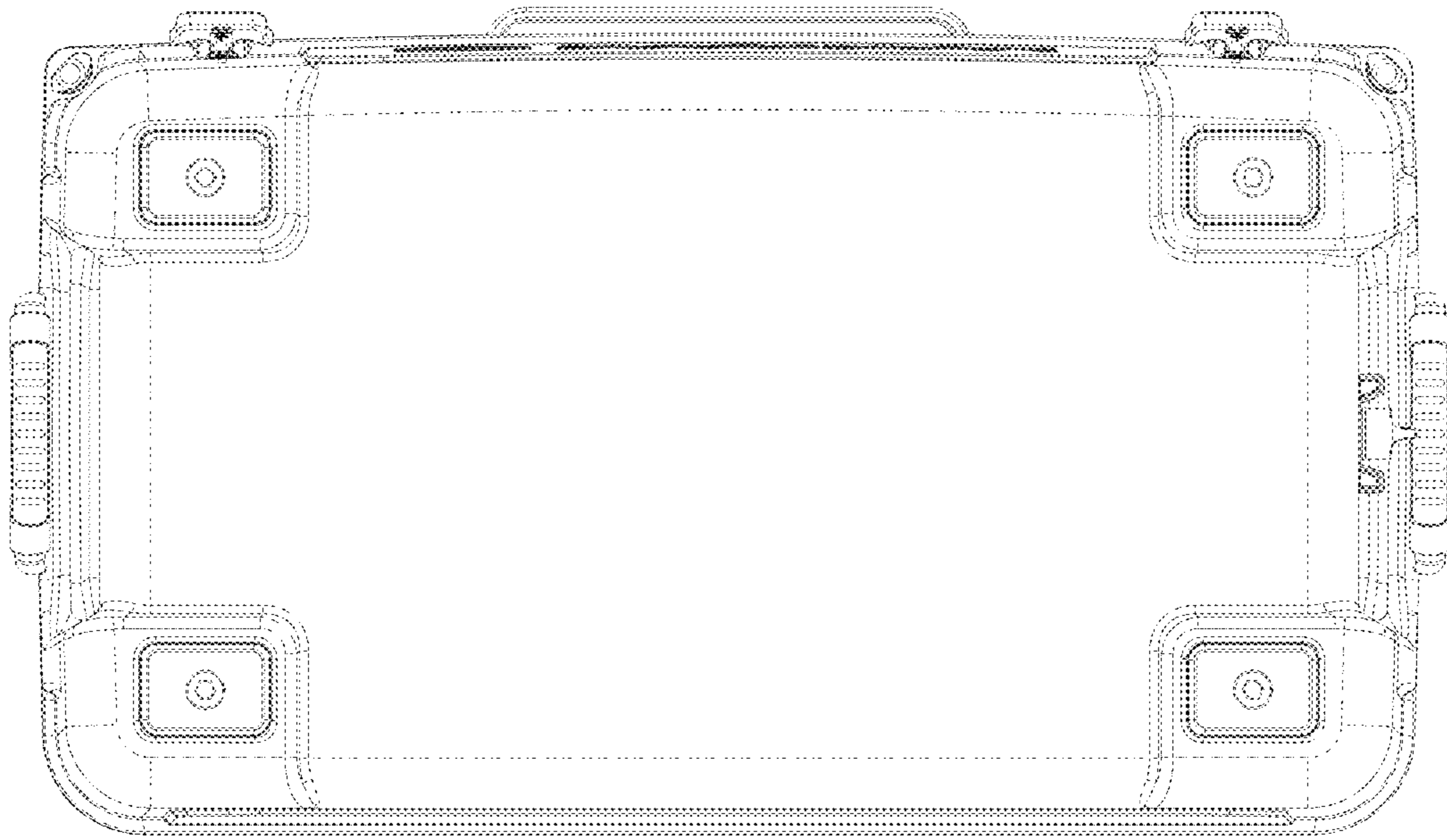


Figure 14