



US00D807119S

(12) **United States Design Patent**
Bell

(10) **Patent No.:** **US D807,119 S**
(45) **Date of Patent:** **** Jan. 9, 2018**

- (54) **DRINKING VESSEL**
- (71) Applicant: **CATA, LLC**, Whitefish Bay, WI (US)
- (72) Inventor: **Jessica L Bell**, Whitefish Bay, WI (US)
- (73) Assignee: **CATA, LLC**, Whitefish Bay, WI (US)
- (**) Term: **15 Years**
- (21) Appl. No.: **29/564,583**
- (22) Filed: **May 13, 2016**

Related U.S. Application Data

- (63) Continuation of application No. 14/952,054, filed on Nov. 25, 2015.
- (51) **LOC (11) Cl.** **07-01**
- (52) **U.S. Cl.**
USPC **D7/532; D7/523; D7/509**
- (58) **Field of Classification Search**
USPC D7/507, 509, 510, 511, 523, 529, 530, D7/532, 392.1, 396.2, 608, 599, 598, 397, D7/589, 316, 630, 629, 540; D9/444, D9/567, 552, 554, 555, 565, 568, 571, D9/428; 220/592.16, 592.17, 200
CPC A47G 19/22; A47G 19/2205; A47G 19/23; A45F 3/16; Y10S 220/903
See application file for complete search history.

References Cited

U.S. PATENT DOCUMENTS

- D170,289 S * 8/1953 Skipp D7/507
- 2,765,832 A * 10/1956 Tupper A47J 43/0727
220/659
- 3,307,602 A * 3/1967 Boster B65D 43/0212
206/508
- 3,441,173 A 4/1969 Edwards
- 3,464,587 A 9/1969 Edwards
- 3,730,385 A 5/1973 Rost

- 3,912,118 A * 10/1975 Bird B65D 43/0212
206/508
- 3,995,740 A 12/1976 Amberg
- D269,765 S * 7/1983 Fortuna D9/428
- D272,223 S * 1/1984 Daenen D7/629
- D281,303 S * 11/1985 Fortuna D9/426
- D285,656 S * 9/1986 Champion D7/511
- 4,823,958 A * 4/1989 Mahmud A47G 19/065
206/217
- 4,832,212 A 5/1989 Askinazi
- 4,938,373 A * 7/1990 McKee A47G 19/065
215/376
- D334,113 S * 3/1993 Lewis D7/629
- D410,364 S * 6/1999 Ramirez D7/507
- D417,847 S * 12/1999 Rush D7/629
- 6,082,575 A 7/2000 Skoskiewicz
- D465,384 S * 11/2002 Schanzer D7/507
- D481,473 S * 10/2003 Walsh D26/11
- 7,273,147 B2 9/2007 Willat
- D601,852 S * 10/2009 Newman D7/523

(Continued)

FOREIGN PATENT DOCUMENTS

WO 2010/132688 A2 11/2010

Primary Examiner — Marianne Pandozzi

Assistant Examiner — Jae Liang

(74) *Attorney, Agent, or Firm* — Bell & Manning, LLC

(57) **CLAIM**

The ornamental design for a drinking vessel, as shown and described.

DESCRIPTION

FIG. 1 is a top, front perspective view of a drinking vessel showing my new design;

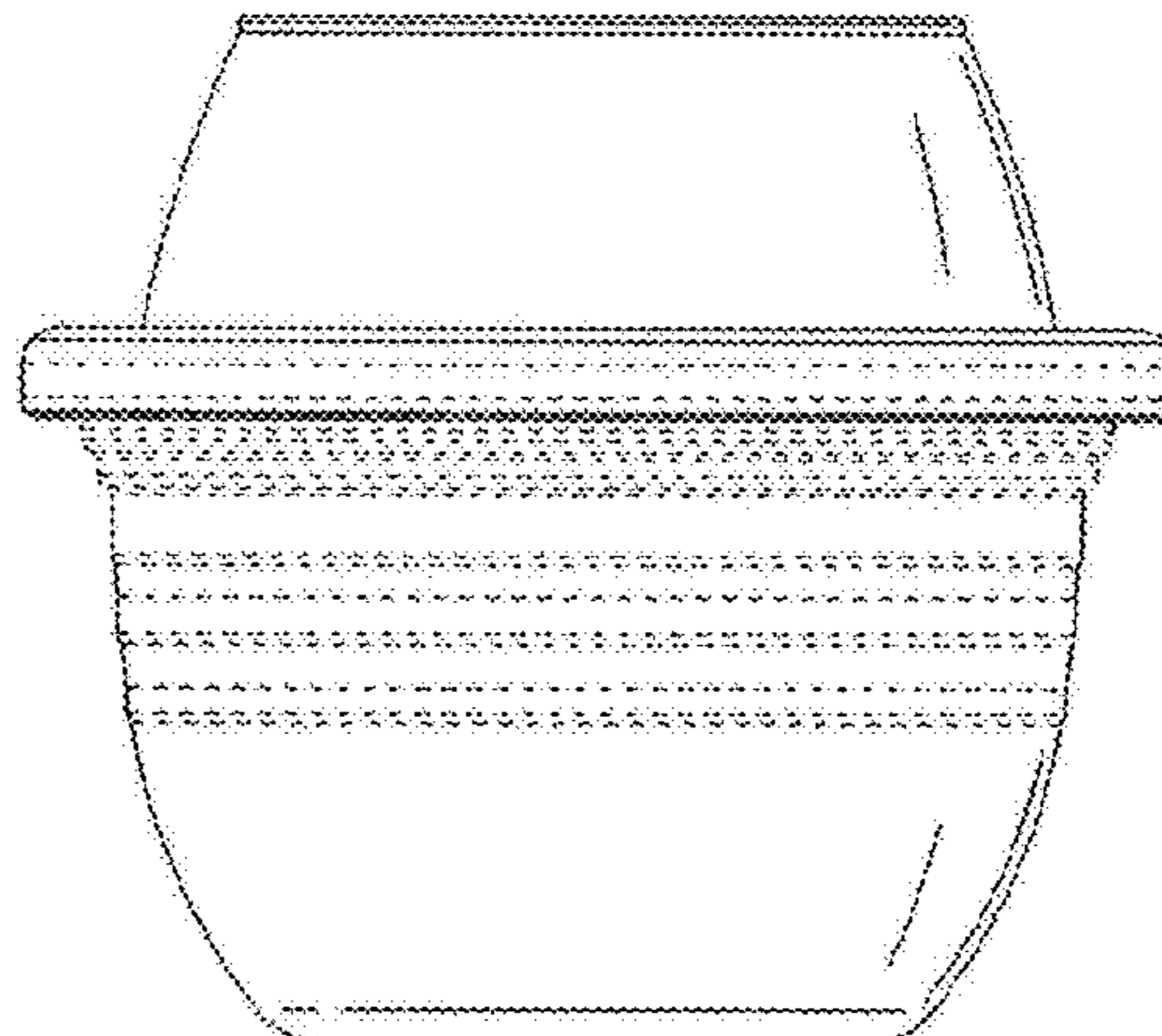
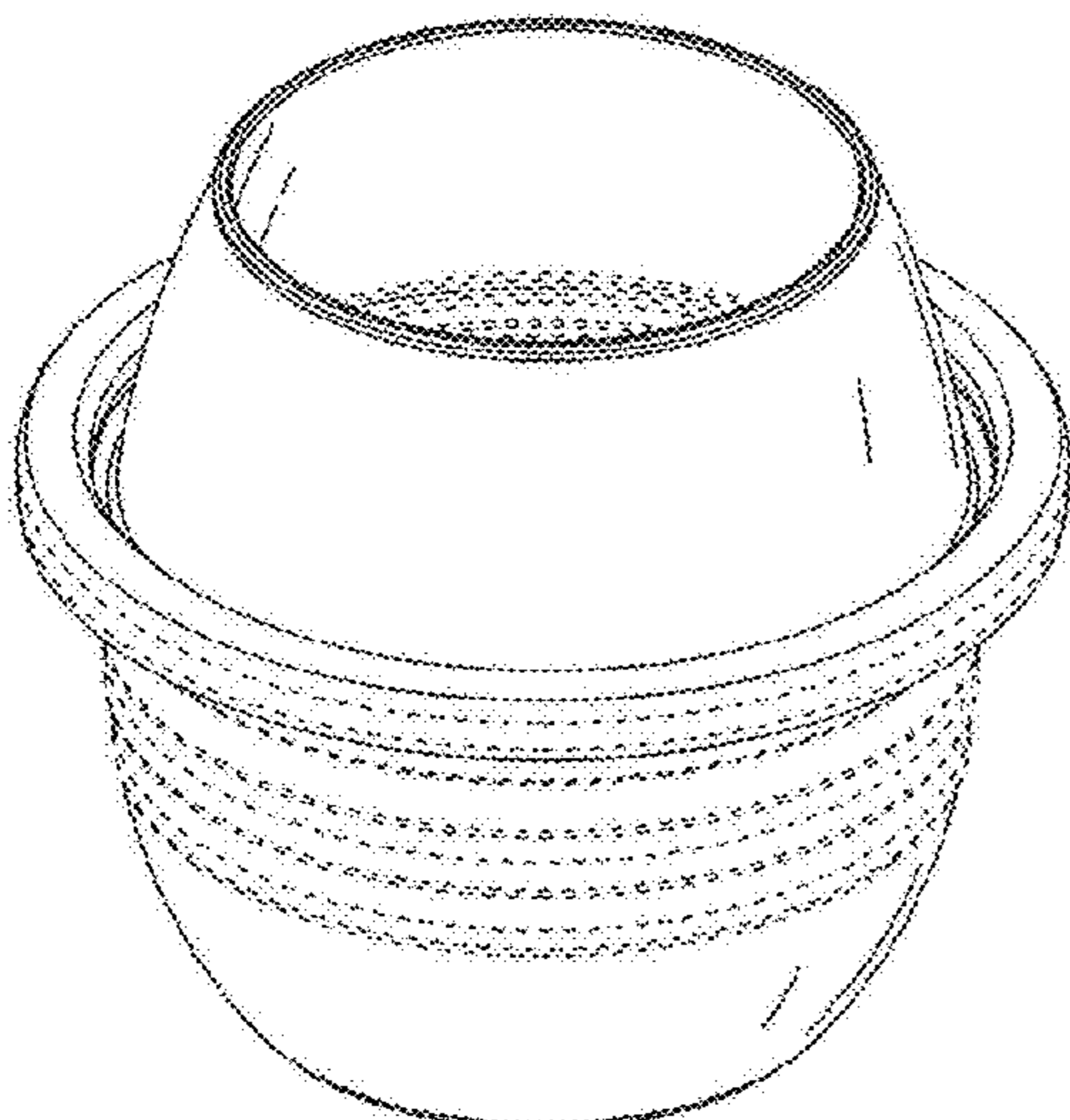
FIG. 2 is a front view thereof;

FIG. 3 is a bottom view thereof; and,

FIG. 4 is a top view thereof.

The broken lines in the drawing depict portions of the drinking vessel that form no part of the claimed design.

1 Claim, 2 Drawing Sheets



(56)

References Cited

U.S. PATENT DOCUMENTS

D606,368	S *	12/2009	Wu	D7/629
D645,748	S *	9/2011	Sharma	D7/629
8,567,635	B2	10/2013	Willat	
D693,687	S *	11/2013	Karay	D7/540
D699,571	S *	2/2014	Zomorodi	D9/435
8,807,340	B2	8/2014	Zimmer	
9,120,598	B2	9/2015	Meyers	
D771,439	S *	11/2016	Miller	D7/509
D774,828	S *	12/2016	Miller	D7/523
D775,957	S *	1/2017	Hunt	D7/629
D784,072	S *	4/2017	Baron	D7/392.1
2006/0249518	A1 *	11/2006	Festa	A47G 19/2205 220/669
2011/0132781	A1	6/2011	Willat	
2011/0303678	A1 *	12/2011	Zomorodi	B65D 81/3216 220/574
2013/0221009	A1	8/2013	Zimmer	
2014/0069917	A1	3/2014	Meyers	
2014/0353309	A1 *	12/2014	Albers	A47G 19/2205 220/4.07
2016/0073811	A1 *	3/2016	Bell	A47G 19/2205 206/459.5
2016/0100702	A1 *	4/2016	Albers	A47G 19/2205 206/517

* cited by examiner

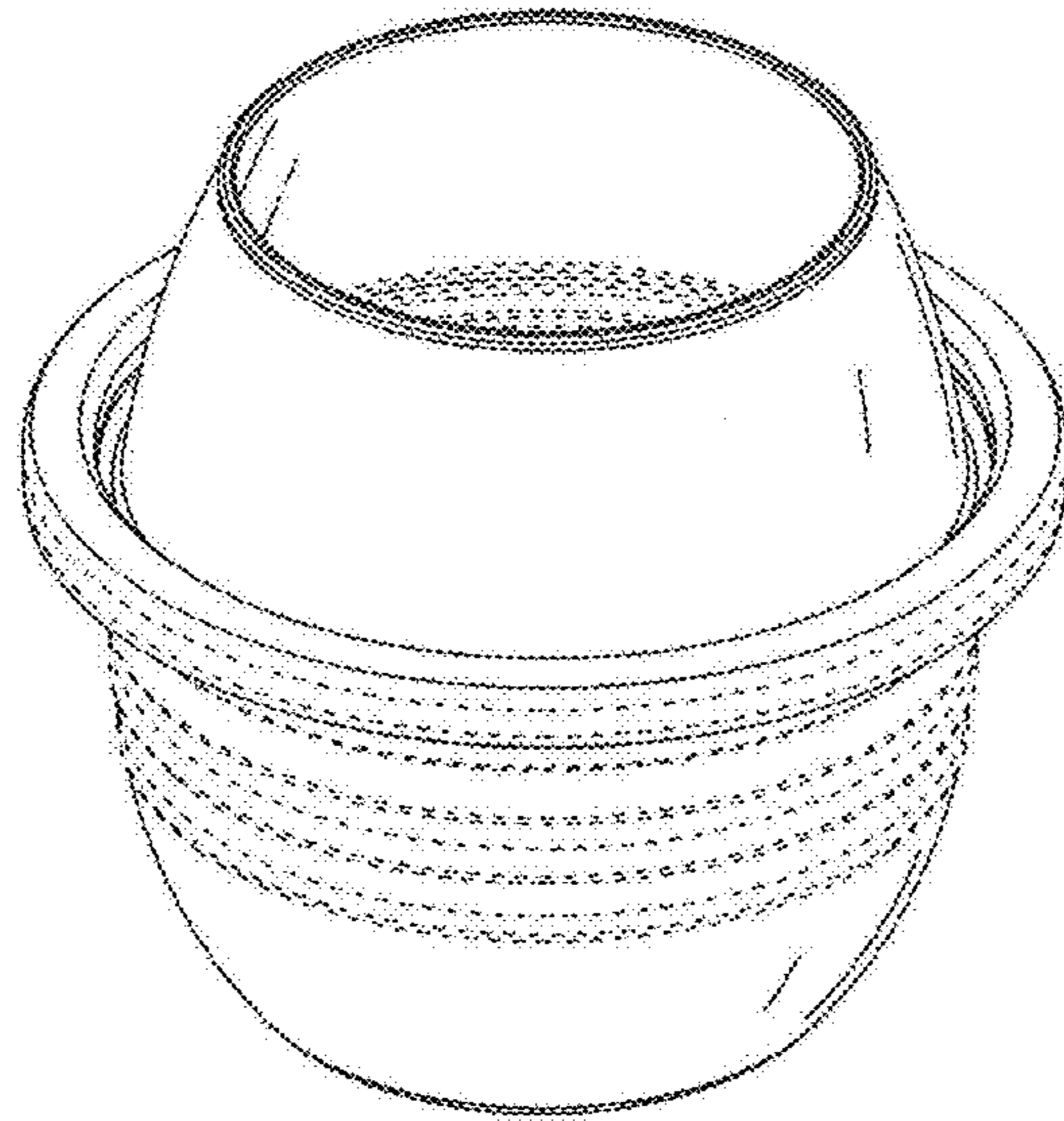


FIG. 1

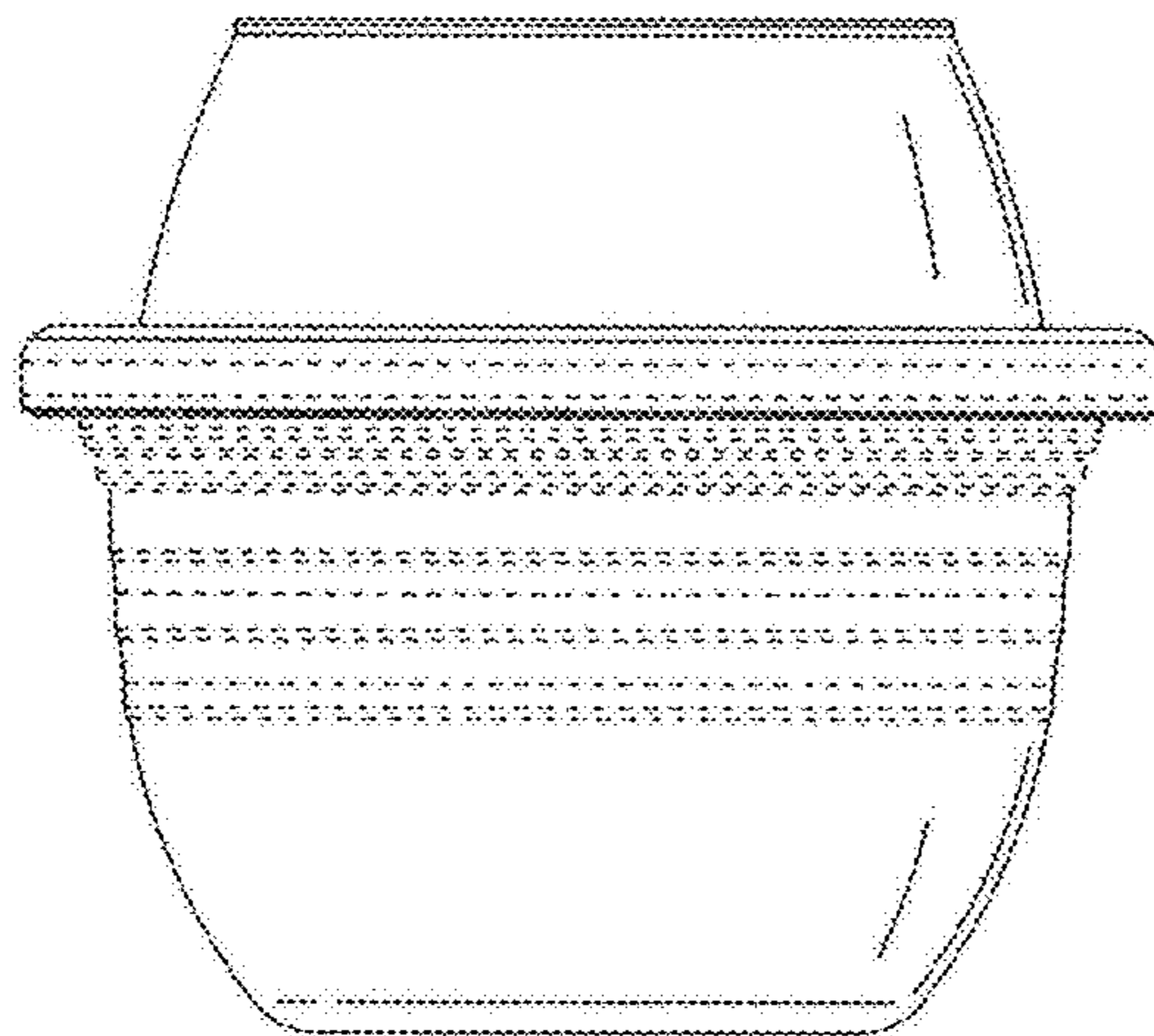


FIG. 2

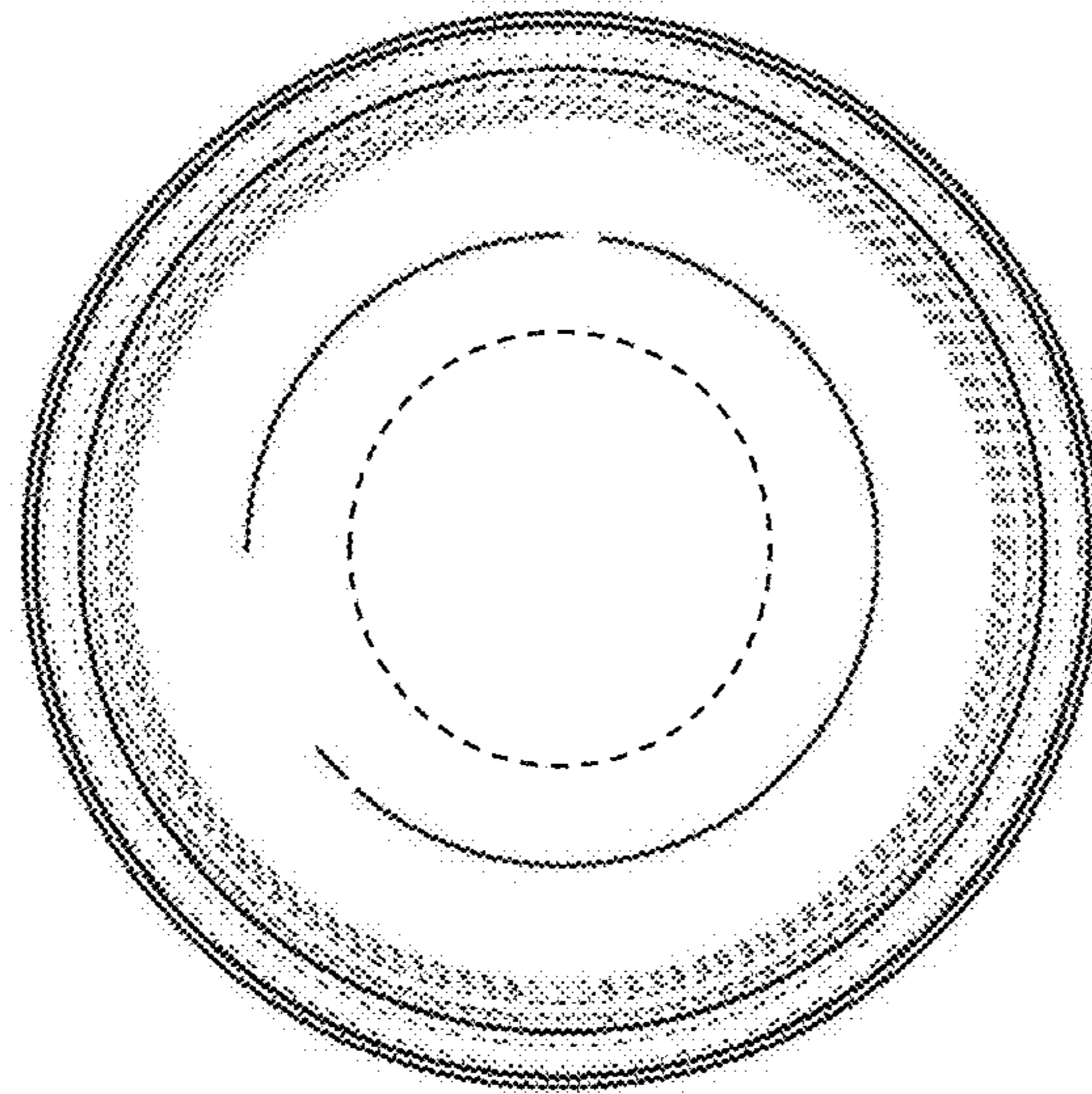


FIG. 3

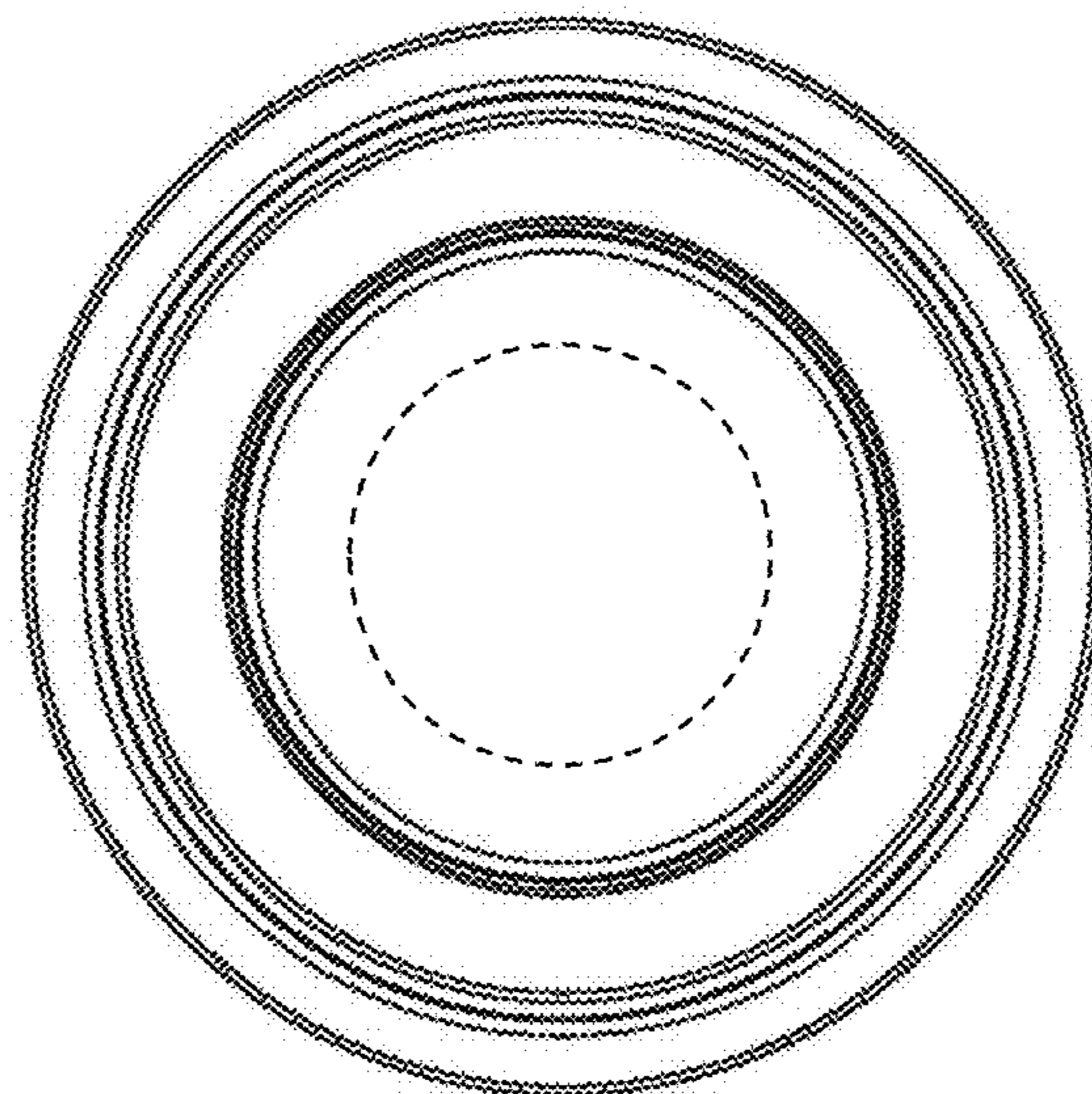


FIG. 4