



US00D807116S

(12) **United States Design Patent**
Fariello

(10) **Patent No.:** **US D807,116 S**
(45) **Date of Patent:** **** Jan. 9, 2018**

(54) **WIRE CHAFFING DISH STAND**

(71) Applicant: **Michael Fariello**, Bohemia, NY (US)

(72) Inventor: **Michael Fariello**, Bohemia, NY (US)

(**) Term: **15 Years**

(21) Appl. No.: **29/532,796**

(22) Filed: **Jul. 10, 2015**

(51) **LOC (11) Cl.** **07-02**

(52) **U.S. Cl.**
USPC **D7/409**; D7/355; D7/366

(58) **Field of Classification Search**
USPC D7/323, 332, 335-337, 354-355,
D7/359-366, 387-388, 393, 402,
D7/407-409, 601
CPC A21B 2/00; A21B 3/00; A21B 3/13; A21B
3/15; A21B 5/00; A21B 5/02; A23N
12/06; A23N 12/08; A23N 12/10; A47B
47/021; A47F 3/14; A47J 27/10; A47J
27/14; A47J 36/34; A47J 36/2405; A47J
36/2477; A47J 36/2483; A47J 37/00;
A47J 37/04; A47J 37/041; A47J 37/042;
A47J 37/06; A47J 37/0688; A47J
37/0694; A47J 37/07; A47J 37/0704;
A47J 37/10; A47J 47/20; A47J 2037/00;
A47J 2037/06; A47J 2037/0611; A47J
2037/07; A47J 2037/0786; A47J
2037/0795; B65D 7/20; F24C 15/10;
F24C

(Continued)

(56) **References Cited**

U.S. PATENT DOCUMENTS

- 2,503,795 A * 4/1950 Brown A47J 37/0694
211/181.1
- D192,900 S * 5/1962 Epstein D11/155
- D213,717 S * 4/1969 Rickmeier D7/355

(Continued)

Primary Examiner — Ricky Pham

(74) *Attorney, Agent, or Firm* — Thomas A. O'Rourke;
Bodner & O'Rourke, LLP

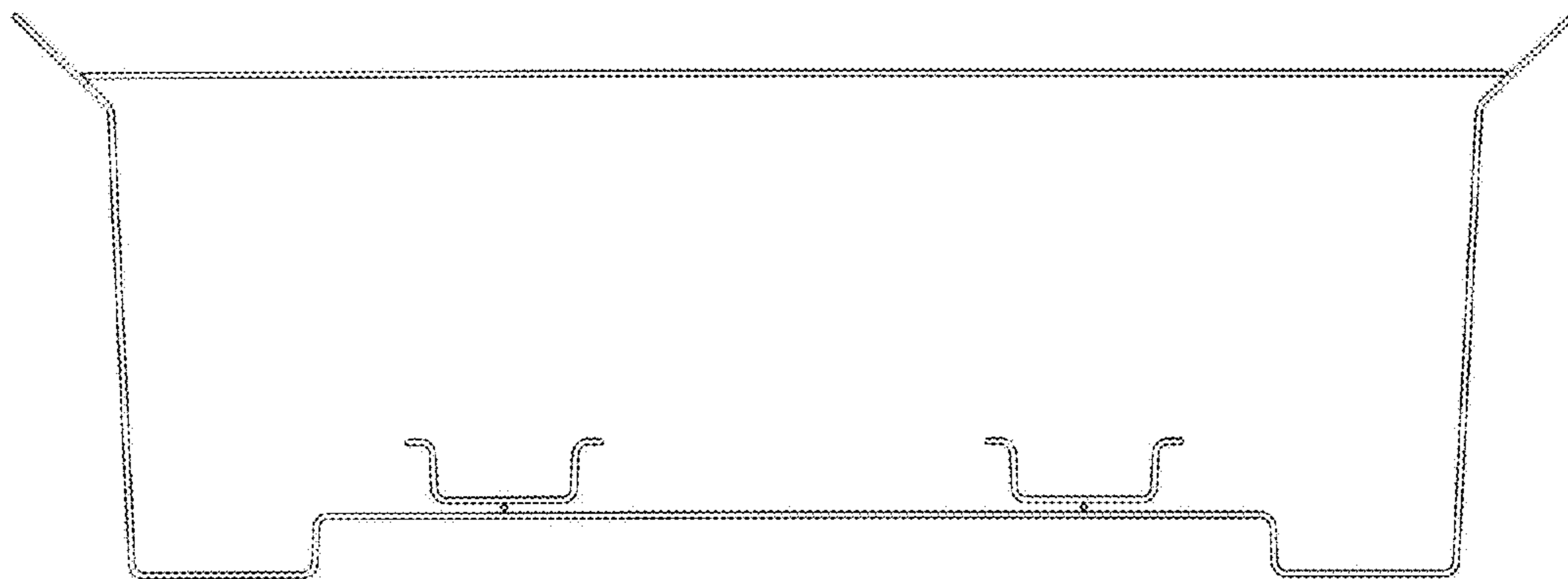
(57) **CLAIM**

The ornamental design for a wire chaffing dish stand, as shown and described.

DESCRIPTION

FIG. 1 is a front view of a wire chaffing dish stand in accordance with a first embodiment of the present invention. FIG. 2 is a rear view of the wire chaffing dish stand of FIG. 1. FIG. 3 is a top view of the wire chaffing dish stand of FIG. 1. FIG. 4 is a left side view of the wire chaffing dish stand of FIG. 1. FIG. 5 is a right side view of the wire chaffing dish stand of FIG. 1. FIG. 6 is a front view of a wire chaffing dish stand in accordance with a second embodiment of the present invention. FIG. 7 is a rear view of the wire chaffing dish stand of FIG. 6. FIG. 8 is a top view of the wire chaffing dish stand of FIG. 6. FIG. 9 is a left side view of the wire chaffing dish stand of FIG. 6. FIG. 10 is a right side view of the wire chaffing dish stand of FIG. 6. FIG. 11 is a front view of a wire chaffing dish stand in accordance with a third embodiment of the present invention. FIG. 12 is a rear view of the wire chaffing dish stand of FIG. 11. FIG. 13 is a top view of the wire chaffing dish stand of FIG. 11. FIG. 14 is a left side view of the wire chaffing dish stand of FIG. 11; and, FIG. 15 is a right side view of the wire chaffing dish stand of FIG. 11.

1 Claim, 15 Drawing Sheets



US D807,116 S

Page 2

- (58) **Field of Classification Search**
CPC 15/12; F24C 15/14; F24C 15/16; F24C
15/164; F24C 15/18
See application file for complete search history.

(56) **References Cited**

U.S. PATENT DOCUMENTS

D213,899 S * 4/1969 Rickmeier D7/355
4,920,873 A * 5/1990 Stevens A47J 27/14
126/246
5,287,800 A * 2/1994 Orednick A47F 3/14
126/9 R
5,453,596 A * 9/1995 Verveniotis A47J 36/2483
219/433
5,467,697 A * 11/1995 Hunziker A47J 27/10
126/33
5,819,640 A * 10/1998 Cuomo A47J 27/10
126/261
D406,984 S * 3/1999 Skvorecz D7/393

5,996,948 A * 12/1999 Skvorecz B65D 7/20
126/40
6,520,354 B1 * 2/2003 Skvorecz A47J 36/2477
211/181.1
D485,706 S * 1/2004 O'Connell Cooper D7/388
6,941,943 B1 * 9/2005 Cahill A47J 36/2405
126/40
6,955,327 B1 * 10/2005 Skvorecz A47J 36/34
126/40
D626,377 S * 11/2010 Contreras D7/355
7,828,160 B2 * 11/2010 Lin A47B 47/021
211/181.1
7,954,772 B2 * 6/2011 Skvorecz A47J 36/34
126/40
9,414,712 B2 * 8/2016 Skvorecz A47J 36/2405
9,517,858 B2 * 12/2016 Skvorecz B65D 7/20
9,539,677 B2 * 1/2017 Skvorecz B65D 7/20
2005/0167381 A1 * 8/2005 Fariello A47J 36/2405
211/181.1

* cited by examiner

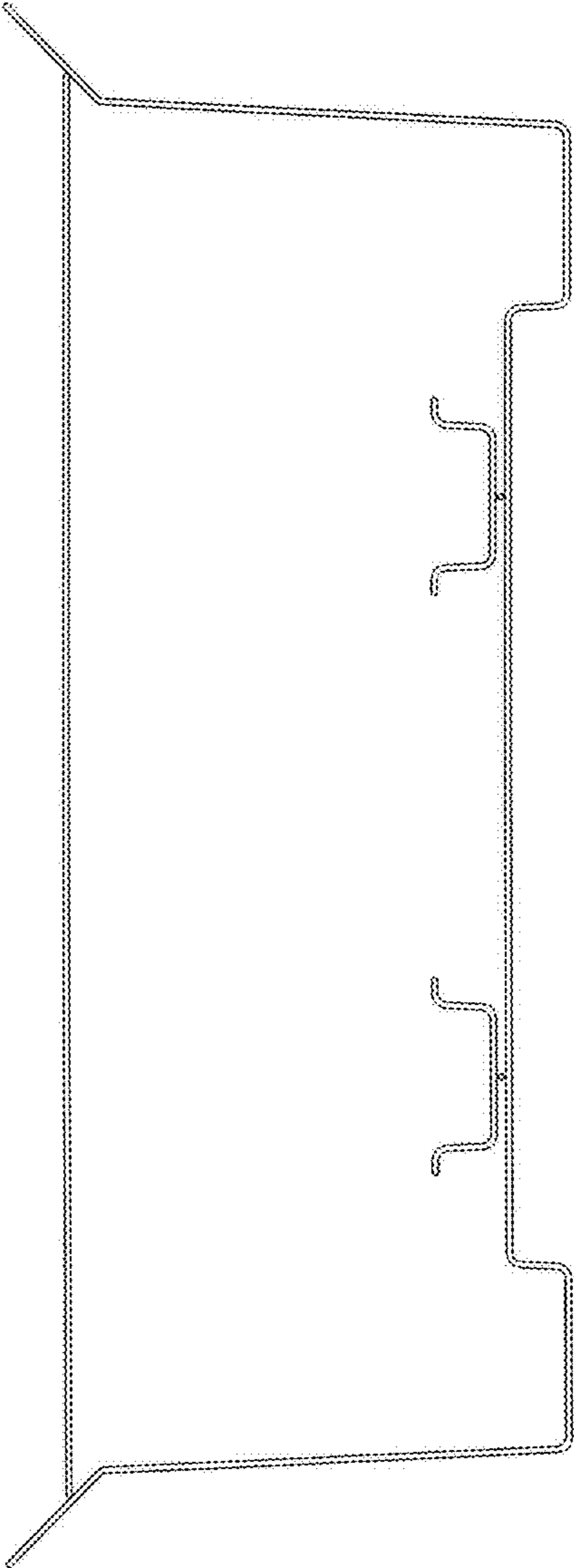


FIG. 1

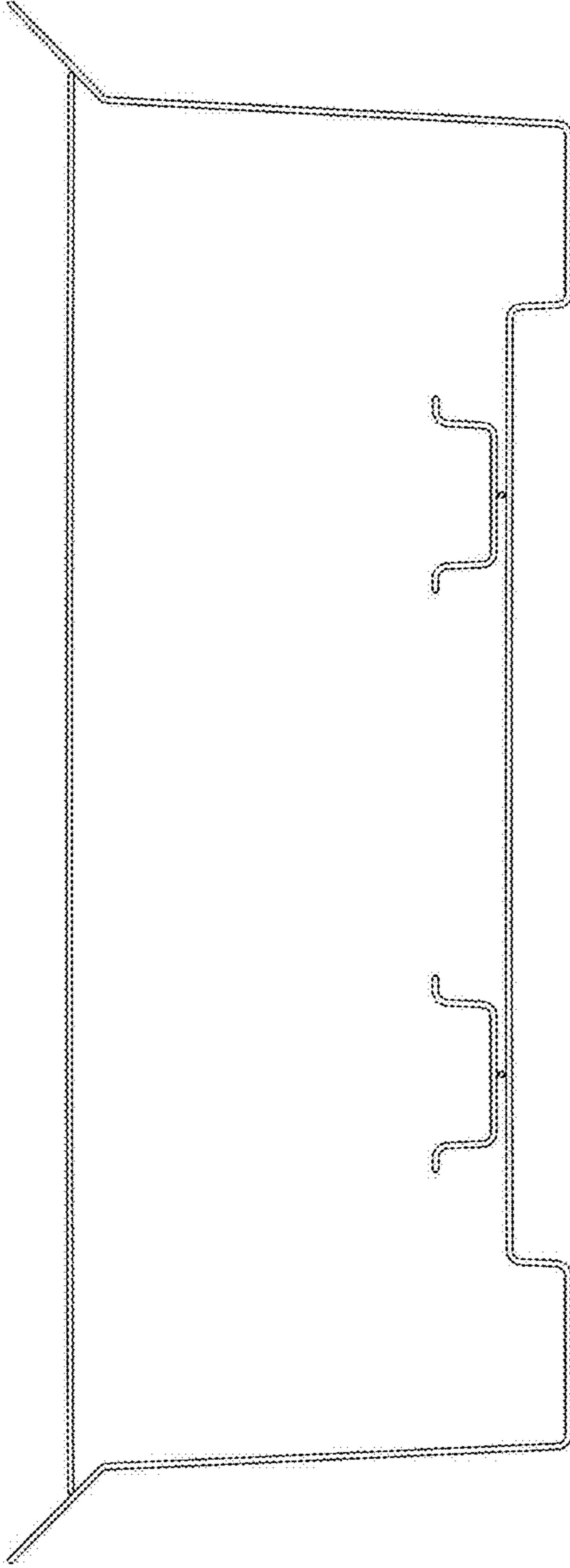


FIG. 2

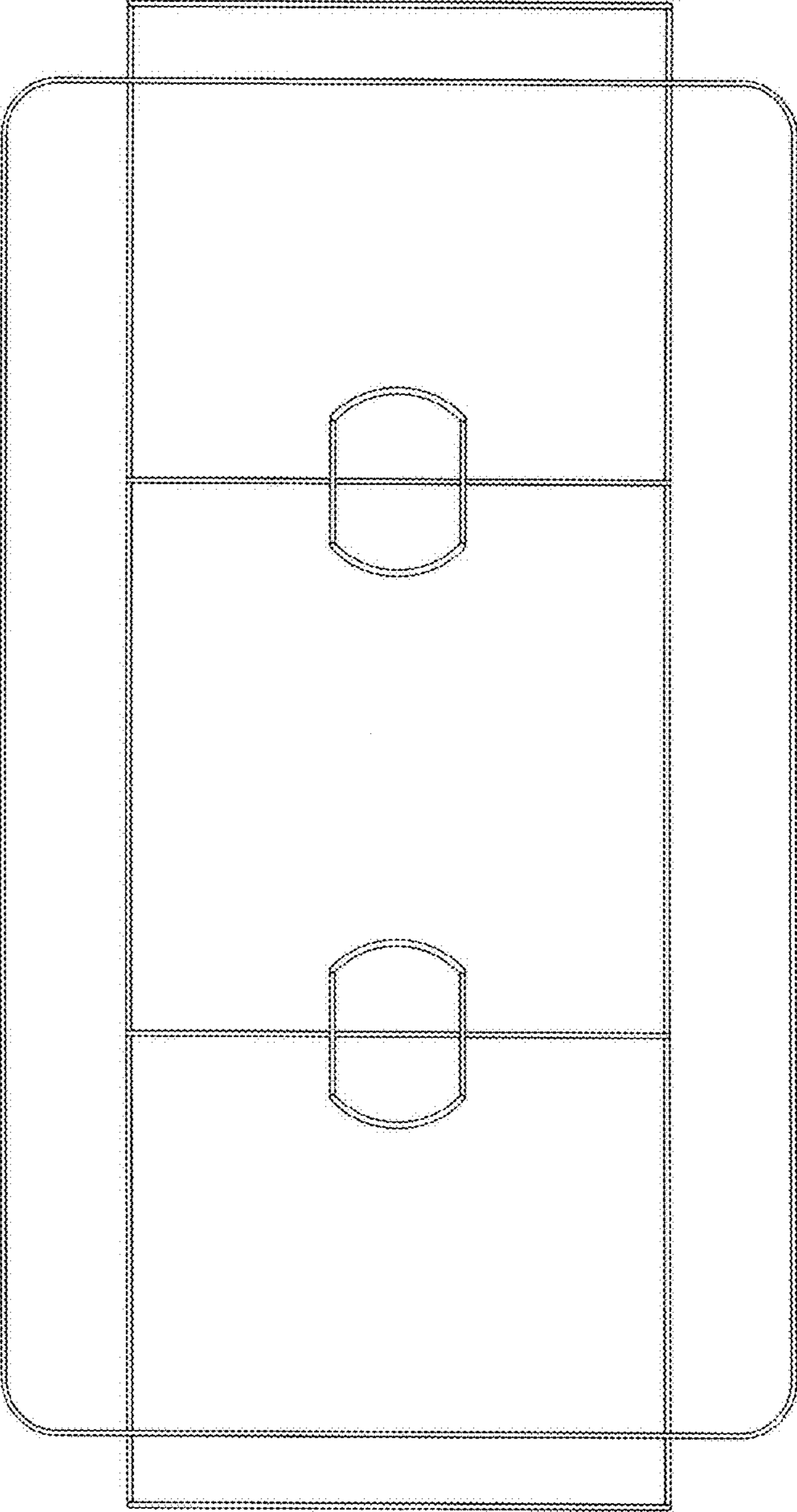


FIG. 3

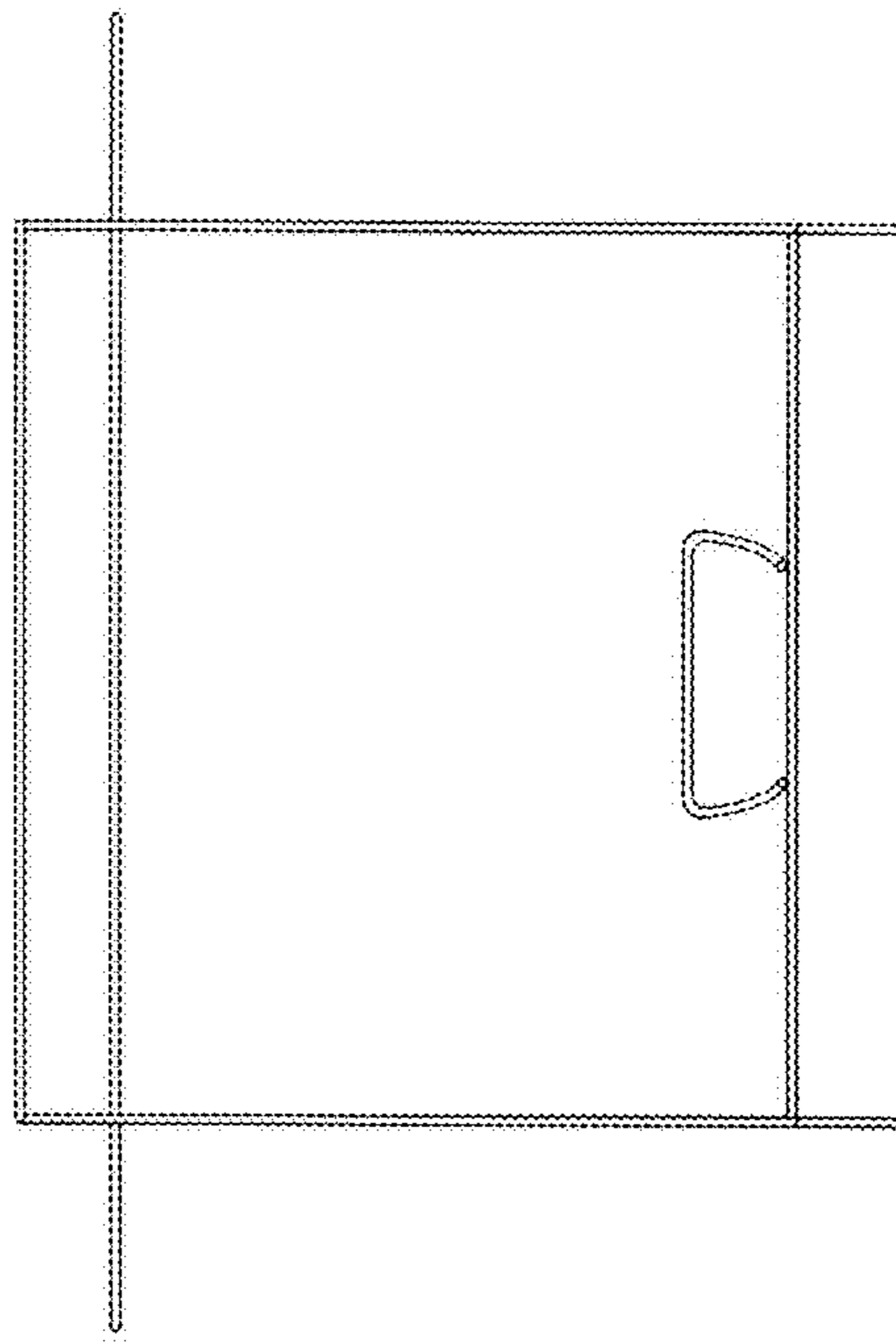


FIG. 4

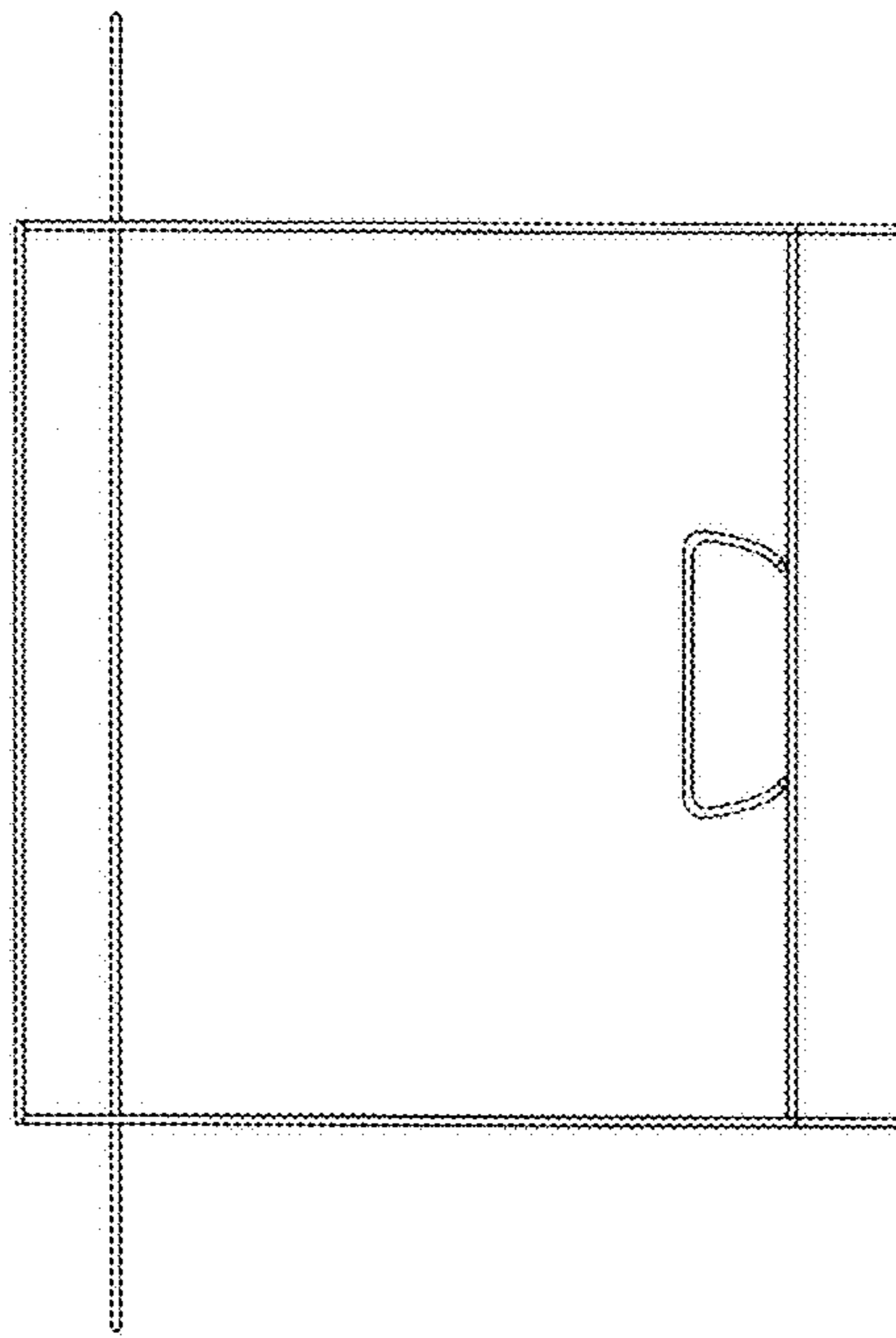


FIG. 5

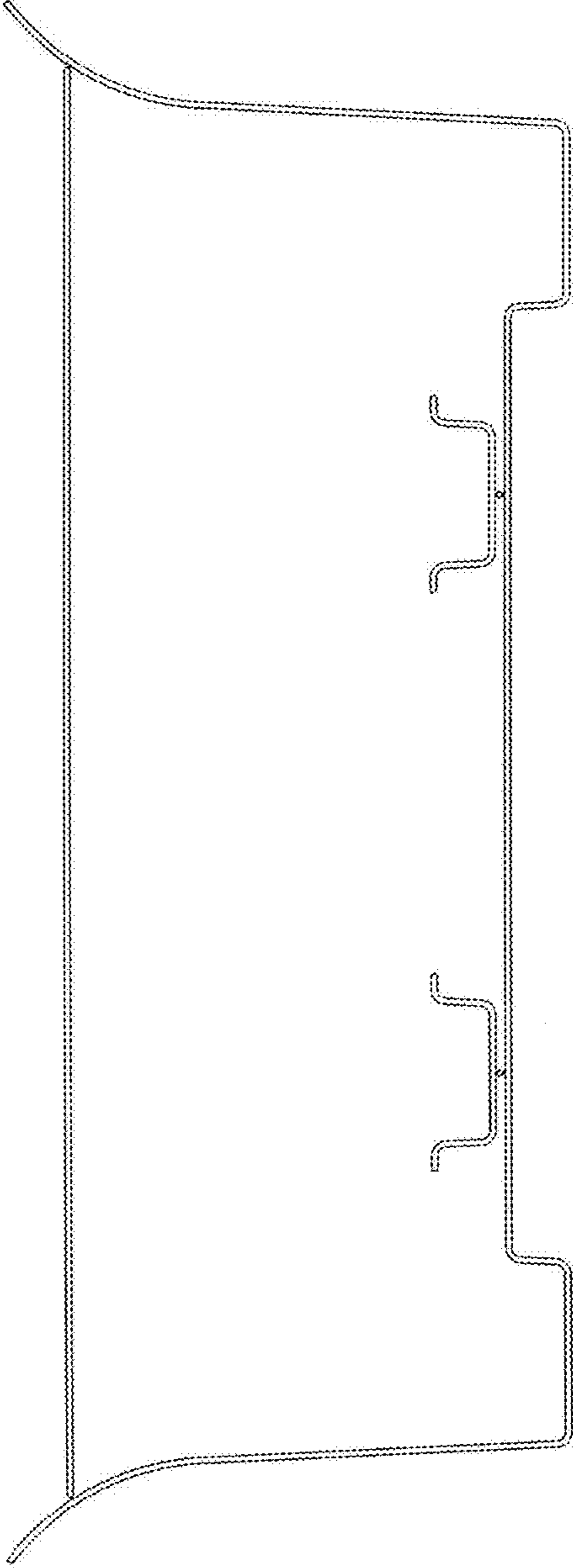


FIG. 6

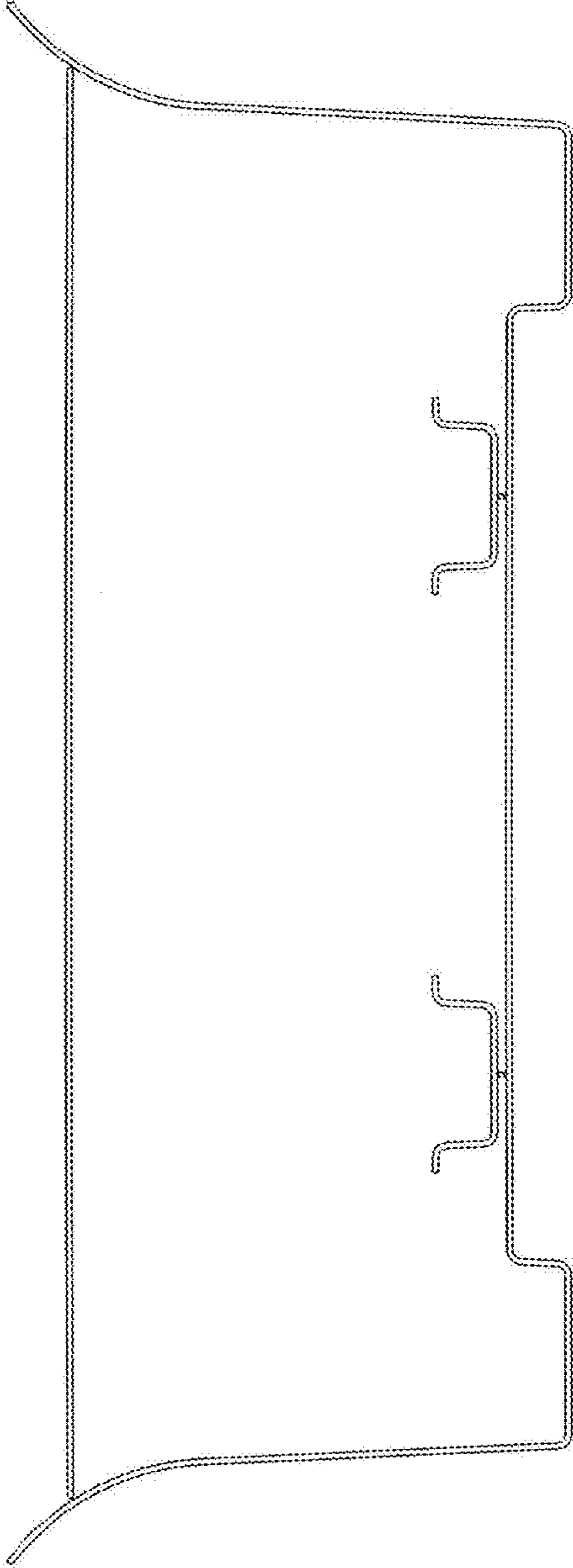


FIG. 7

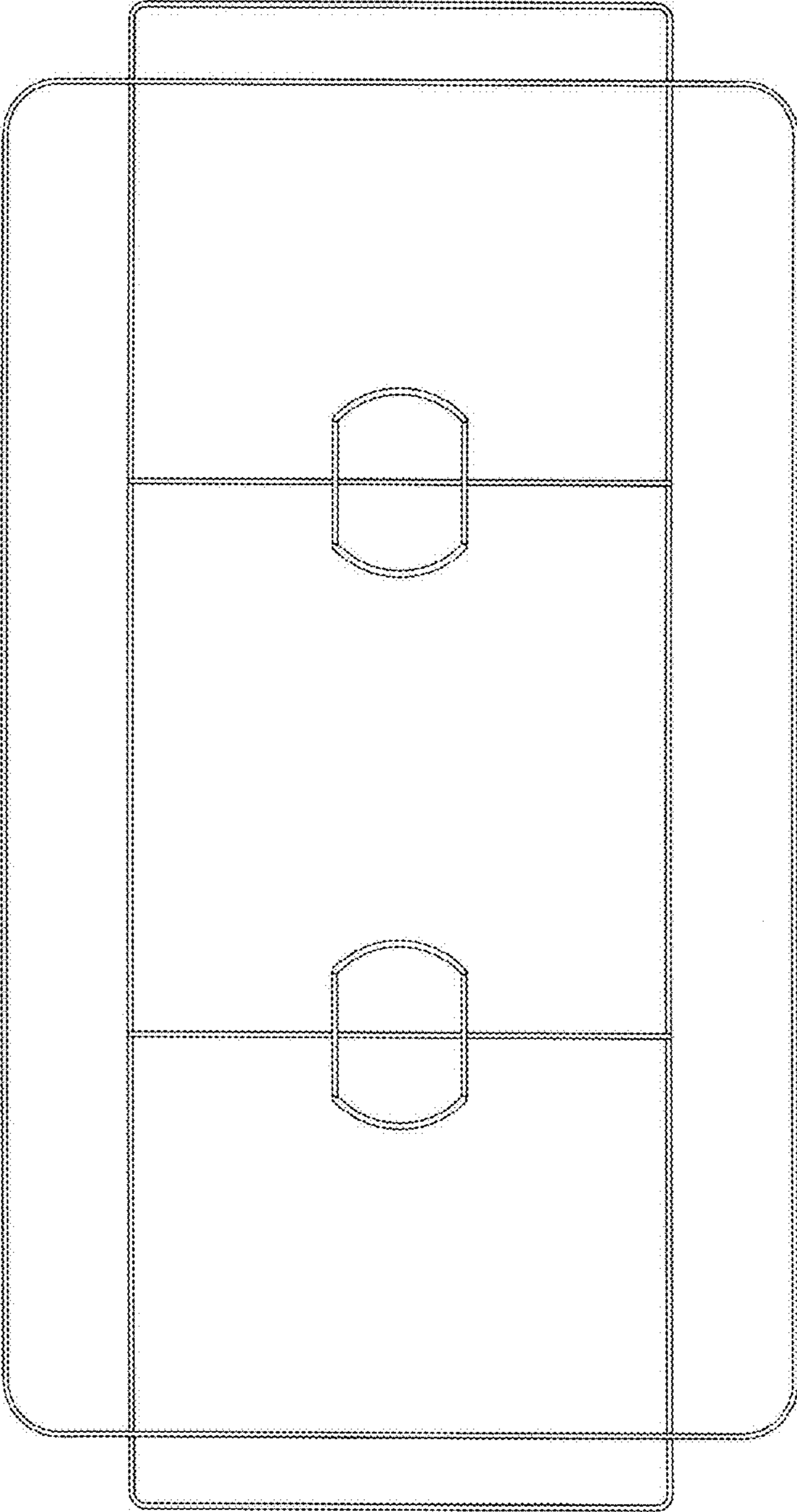


FIG. 8

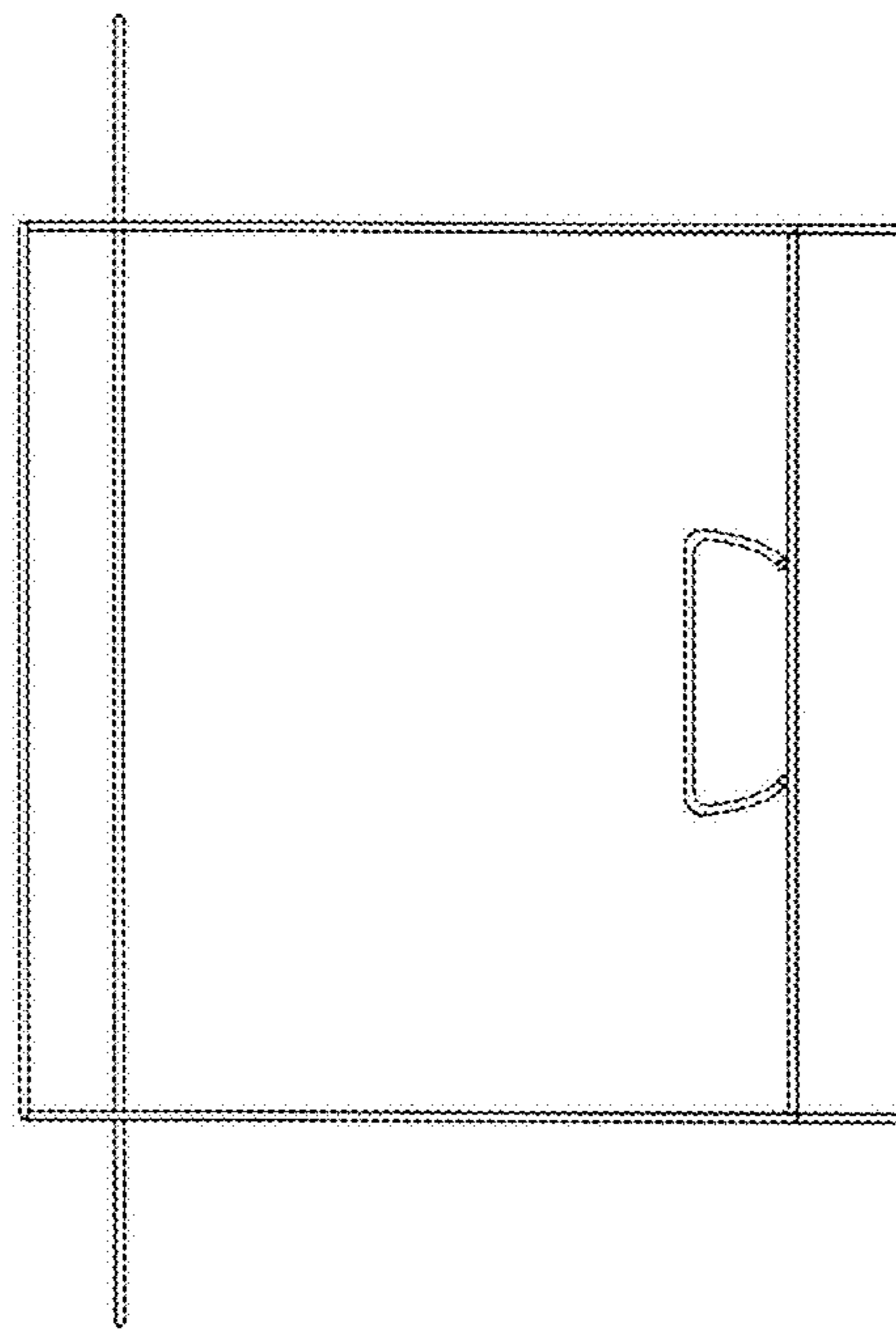


FIG. 9

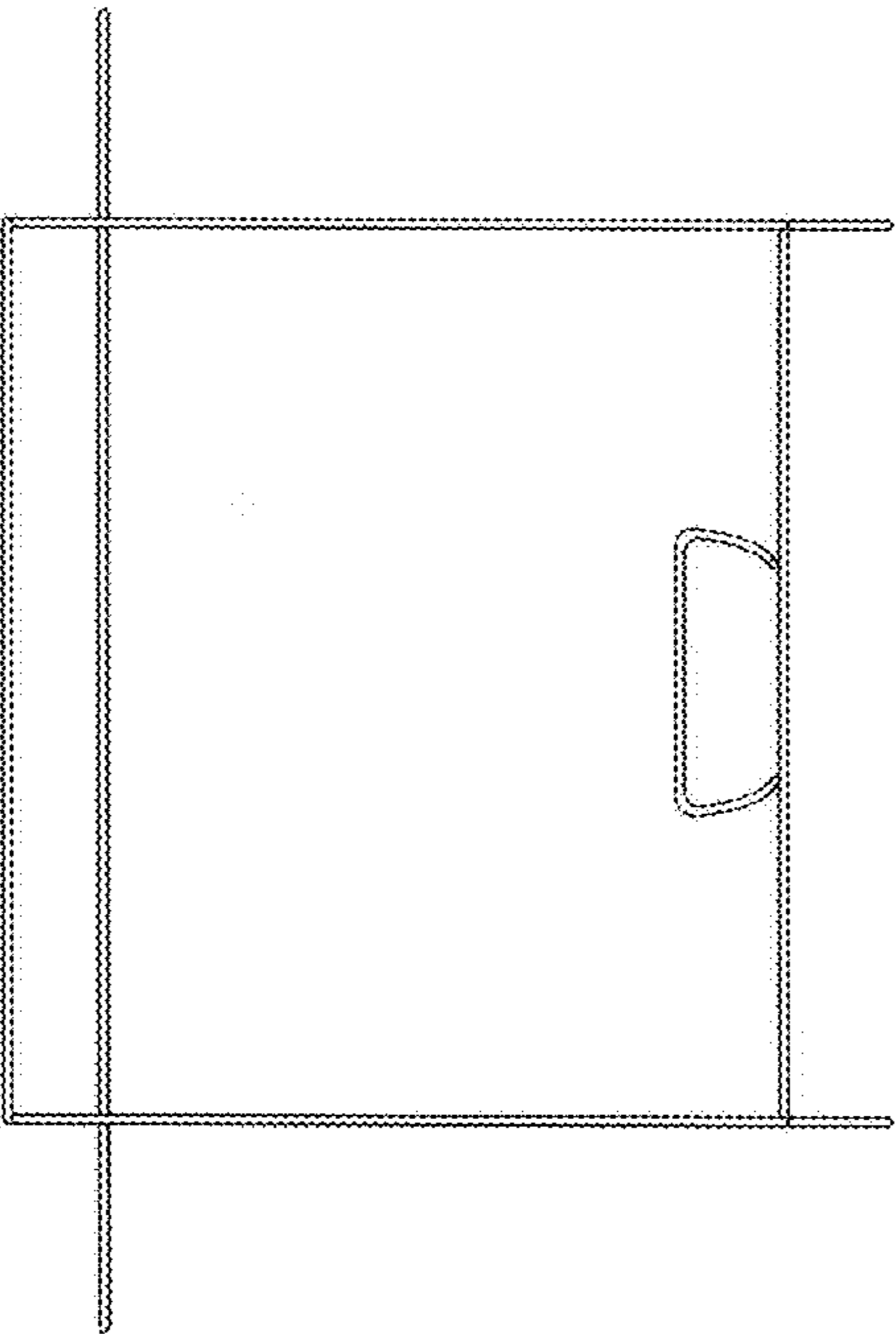


FIG. 10

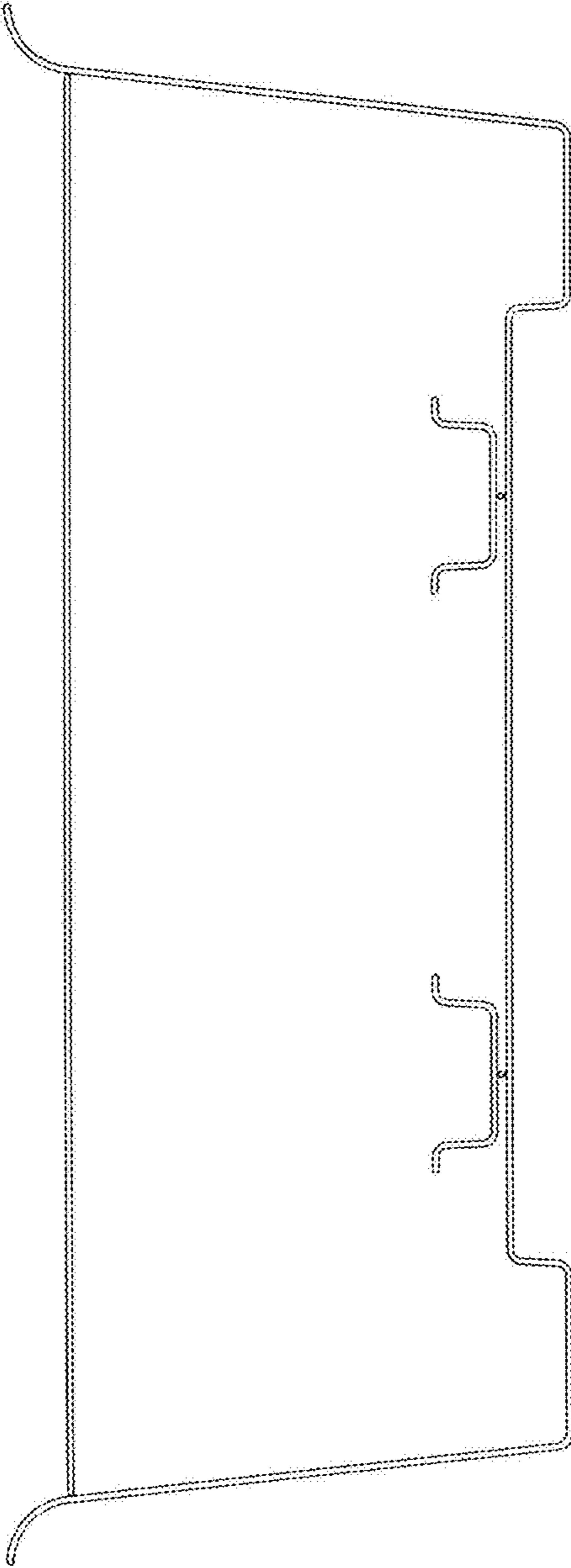


FIG. 11

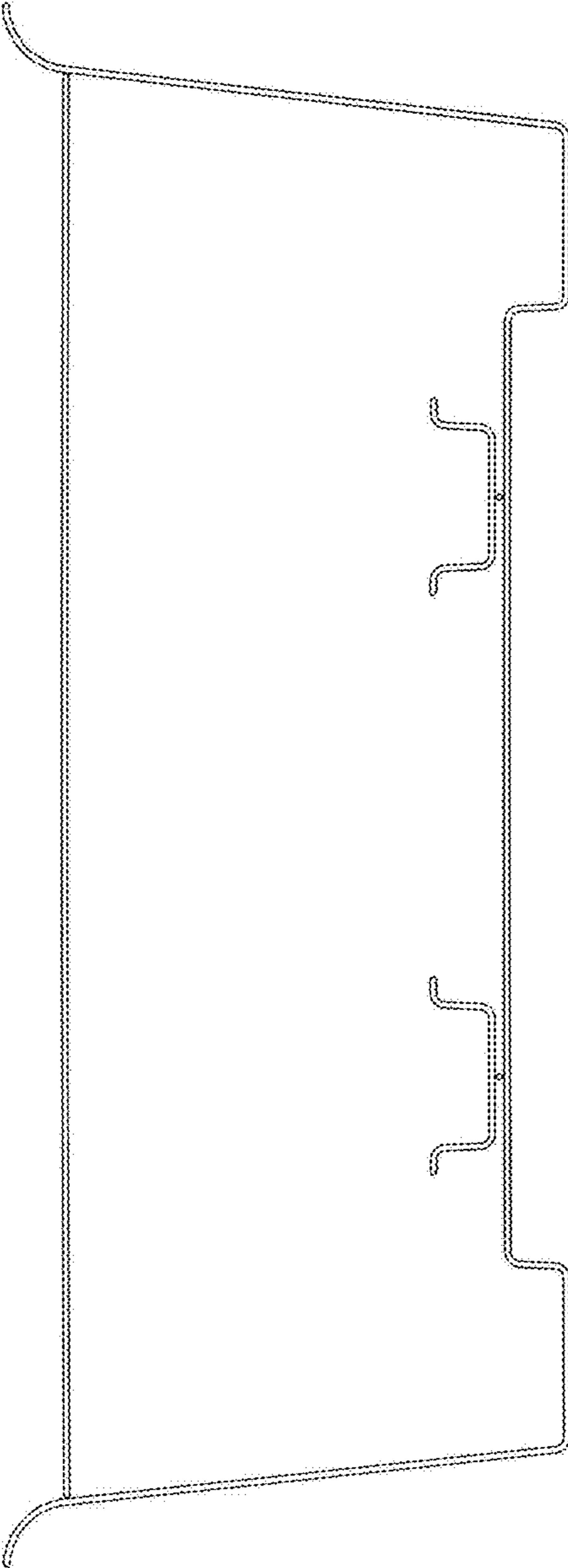


FIG. 12

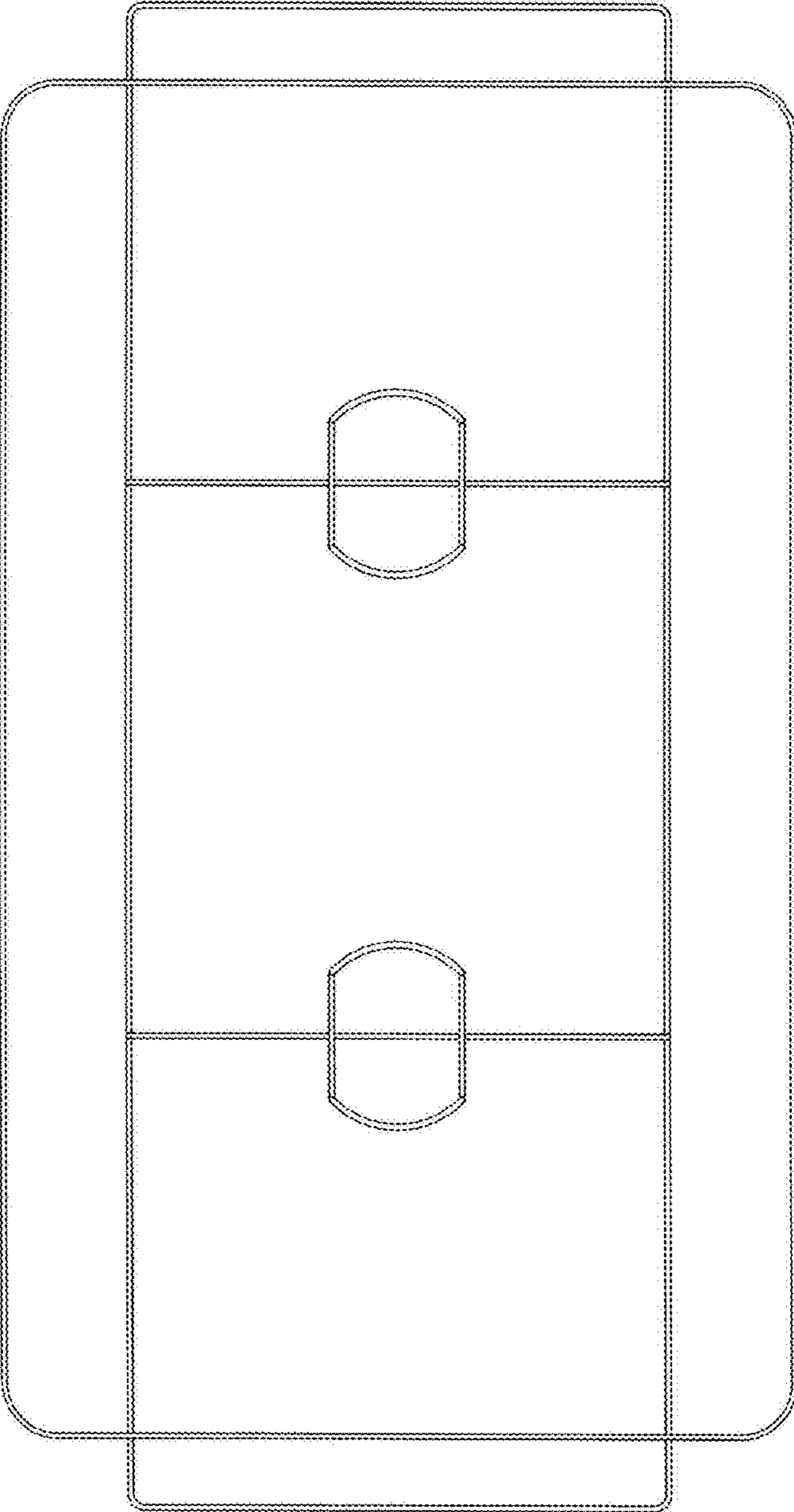


FIG. 13

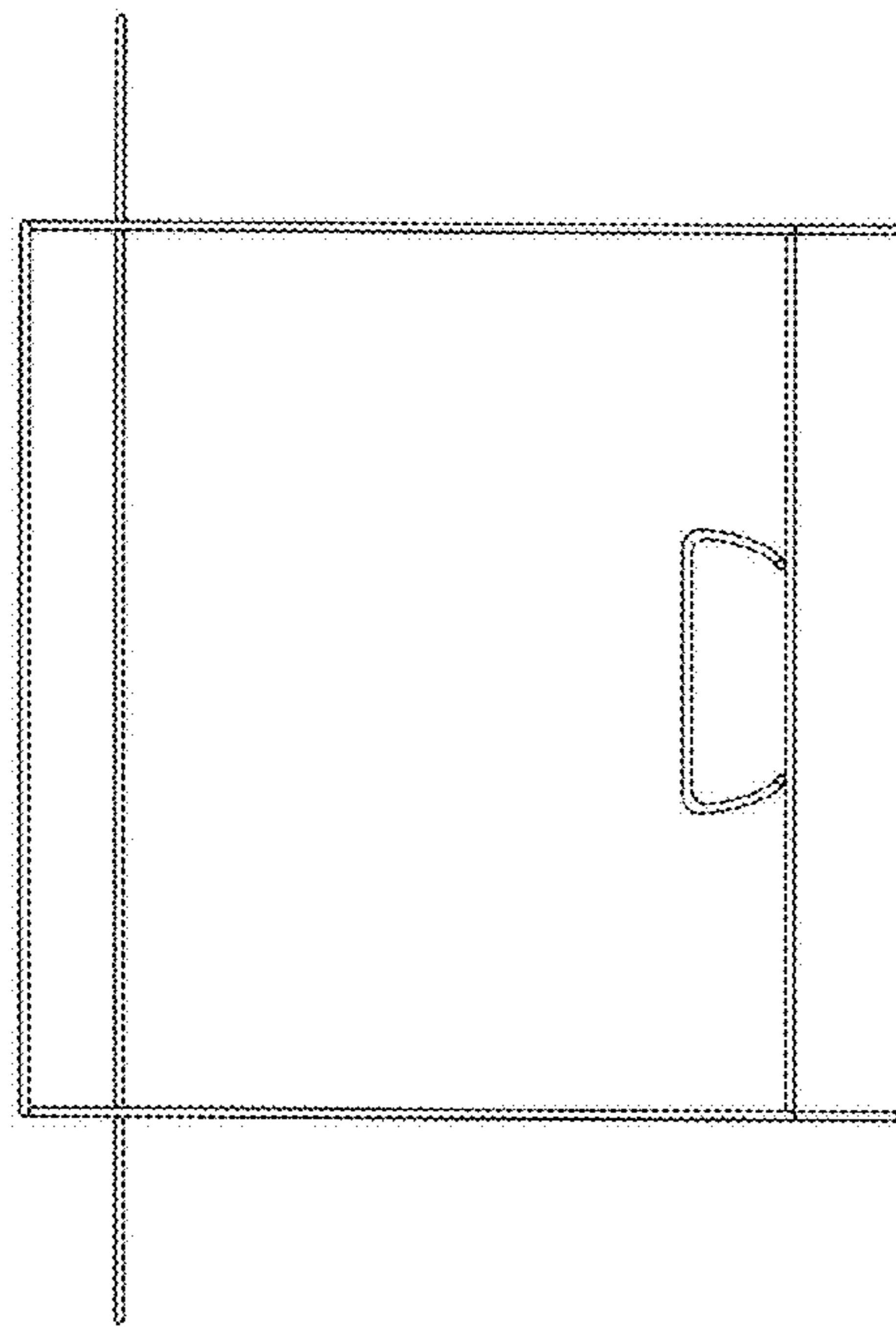


FIG. 14

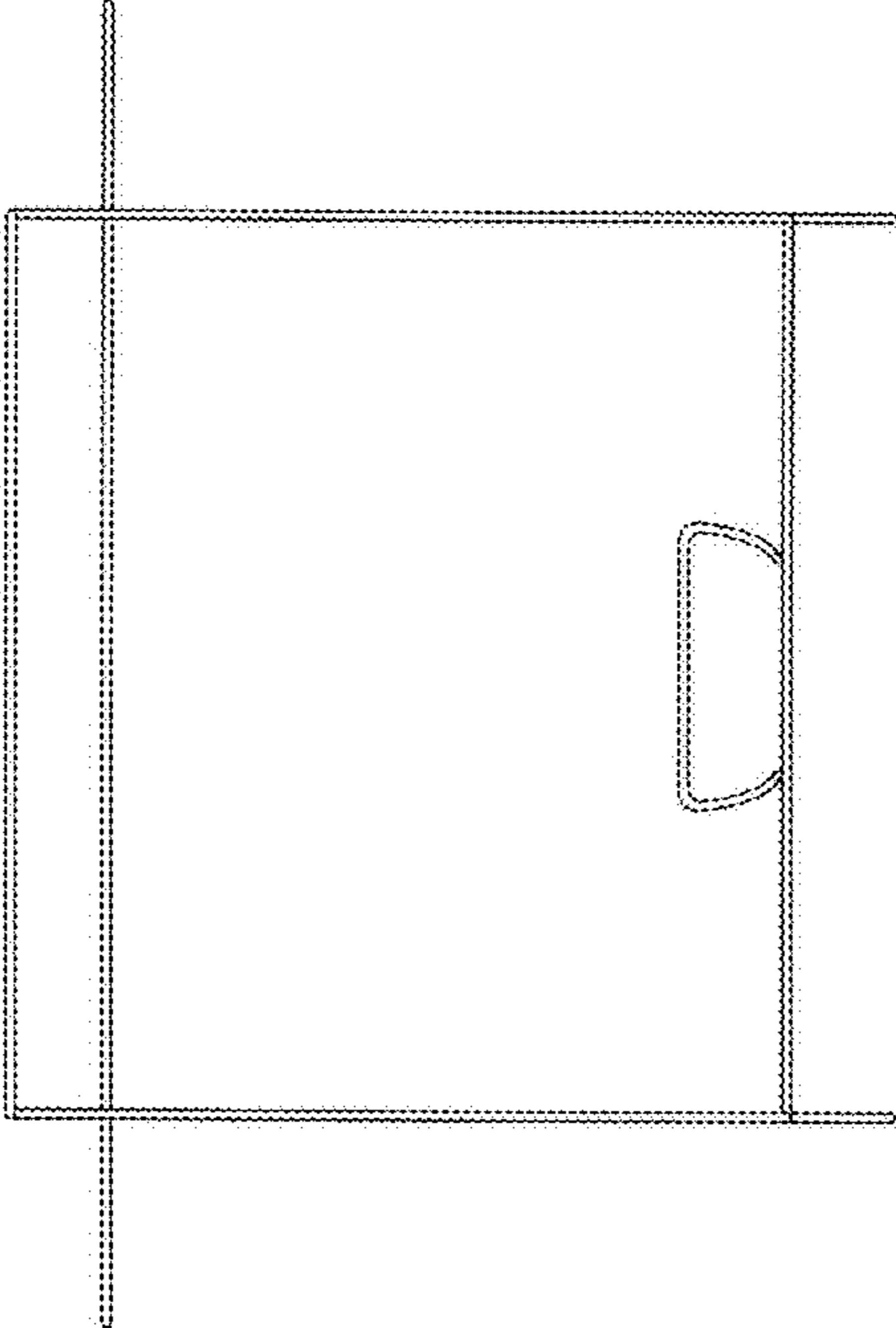


FIG. 15