



US00D807115S

(12) **United States Design Patent**  
**Gallagher**

(10) **Patent No.:** **US D807,115 S**

(45) **Date of Patent:** **\*\* Jan. 9, 2018**

- (54) **BOTTLE DISPENSER BASE**
- (71) Applicant: **Kenneth John Gallagher**, Las Vegas, NV (US)
- (72) Inventor: **Kenneth John Gallagher**, Las Vegas, NV (US)
- (\*\*) Term: **15 Years**
- (21) Appl. No.: **29/589,064**
- (22) Filed: **Dec. 27, 2016**

D366,391	S	*	1/1996	Haley	.....	D7/387
5,984,136	A	*	11/1999	Mason	.....	A47G 23/0225
						220/23.83
6,305,817	B1	*	10/2001	Johnston	.....	A47G 23/0216
						362/101
D488,962	S	*	4/2004	Catt	.....	D7/619.1
6,793,363	B2	*	9/2004	Jensen	.....	A47G 23/0309
						362/101
D577,550	S	*	9/2008	Pertuit	.....	D7/619.1
D640,891	S	*	7/2011	Smith	.....	D7/307
D668,903	S	*	10/2012	Walton	.....	D7/306
D677,102	S	*	3/2013	Walton	.....	D7/306
D774,824	S	*	12/2016	Gallagher	.....	D7/313
D789,157	S	*	6/2017	Esposito	.....	D7/619.1

\* cited by examiner

**Related U.S. Application Data**

- (63) Continuation-in-part of application No. 29/571,331, filed on Jul. 18, 2016, now abandoned.
- (51) **LOC (11) Cl.** ..... **07-99**
- (52) **U.S. Cl.**  
USPC ..... **D7/397; D7/313; D7/619.1**
- (58) **Field of Classification Search**  
USPC ..... **D7/300, 309-311, 306-308, 305, 355, D7/362, 365, 367, 313, 397, 624.1, 619.1, D7/387, 388; 222/146.6, 185.1, 135; 99/295, 273, 304, 288, 279, 307, 283; D9/455**  
CPC ..... **A47J 31/46; A47J 31/407; A47J 31/50; A47J 31/18; A47J 31/00; A47J 27/04; A47J 31/0573; A47J 31/52**  
See application file for complete search history.

*Primary Examiner* — Marianne Pandozzi

(57) **CLAIM**

The ornamental design for a bottle dispenser, base as shown.

**DESCRIPTION**

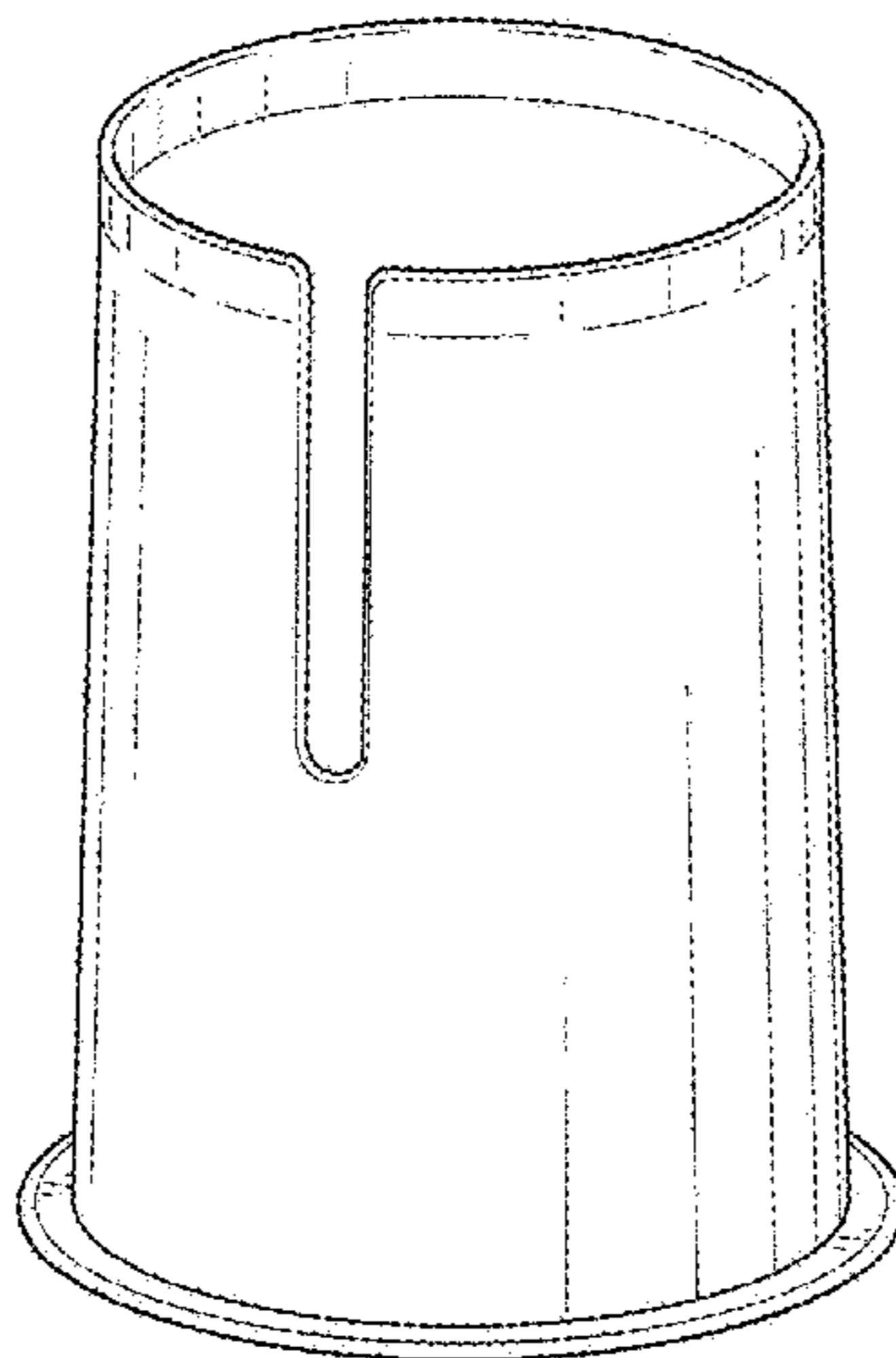
FIG. 1 is a front perspective view of an bottle dispenser base showing my new design;  
 FIG. 2 is another front perspective view thereof;  
 FIG. 3 is a front elevational view thereof;  
 FIG. 4 is a rear elevational view thereof;  
 FIG. 5 is a left side elevational view thereof;  
 FIG. 6 is a right side elevational view thereof;  
 FIG. 7 is a top plan view thereof;  
 FIG. 8 is a bottom plan view thereof;  
 FIG. 9 is a front perspective view of an bottle dispenser base showing a second embodiment my new design;  
 FIG. 10 is another front perspective view thereof;  
 FIG. 11 is a front view thereof;  
 FIG. 12 is a rear view thereof;  
 FIG. 13 is a left side view thereof;  
 FIG. 14 is a right side view thereof;  
 FIG. 15 is a top plan view thereof; and,  
 FIG. 16 is a bottom plan view thereof.

(56) **References Cited**

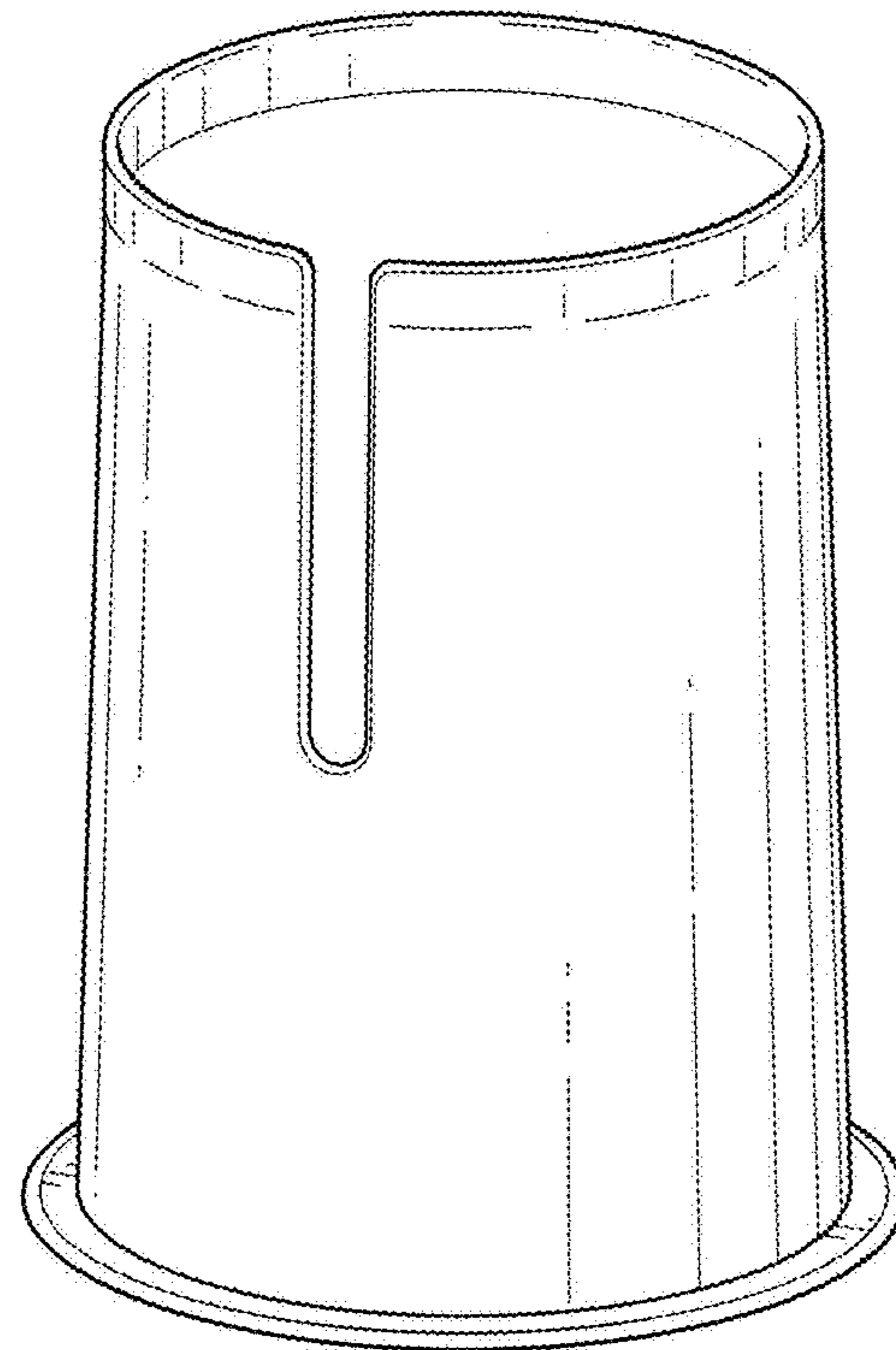
**U.S. PATENT DOCUMENTS**

2,784,577	A	*	3/1957	Beaham	.....	A47G 23/0216
						215/393
4,290,573	A	*	9/1981	Shapiro	.....	A23G 9/503
						248/152
5,143,247	A	*	9/1992	Gavle	.....	A47G 23/0216
						220/630
D334,874	S	*	4/1993	Mealey	.....	D7/388

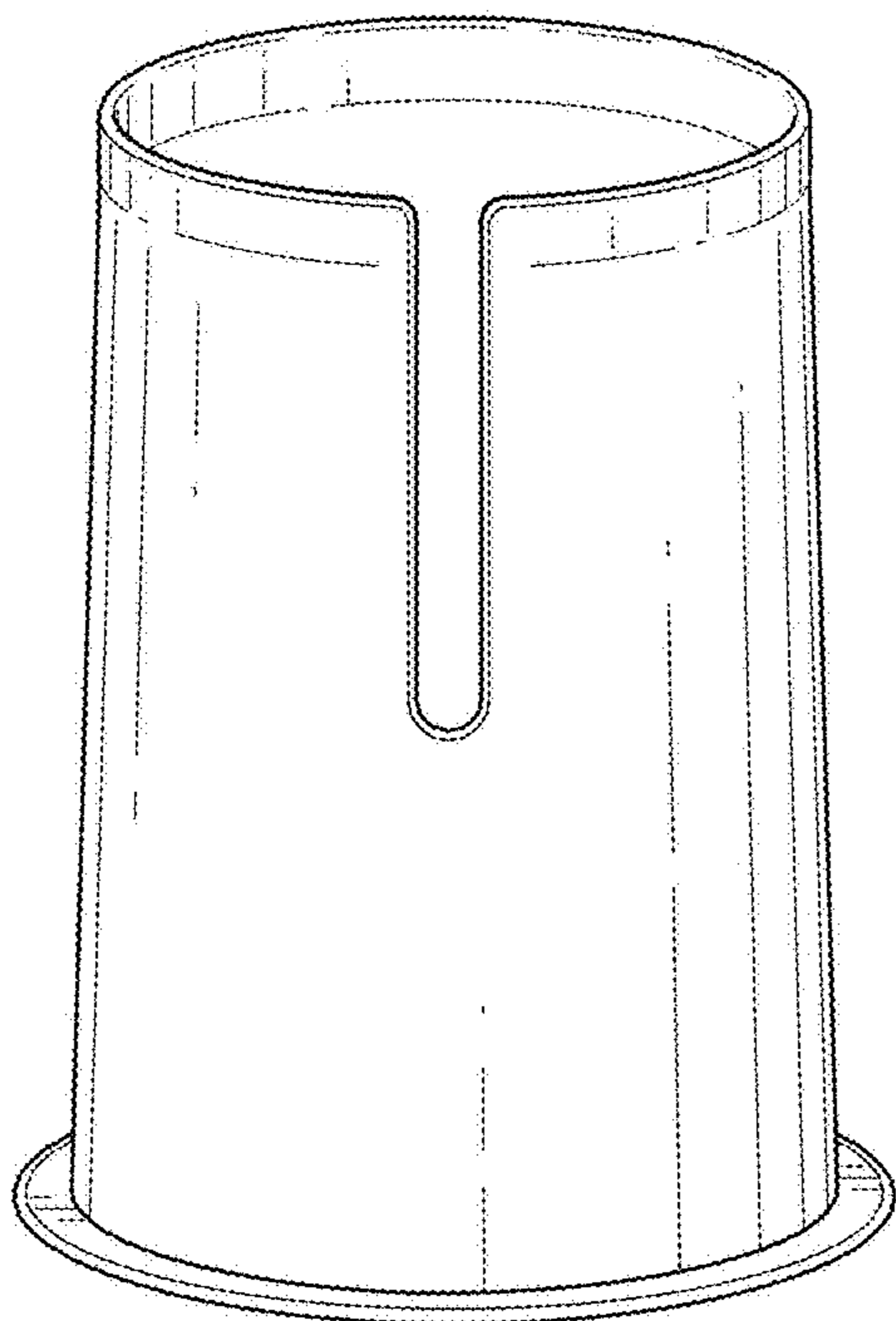
**1 Claim, 6 Drawing Sheets**



*FIG. 1*



*FIG. 2*



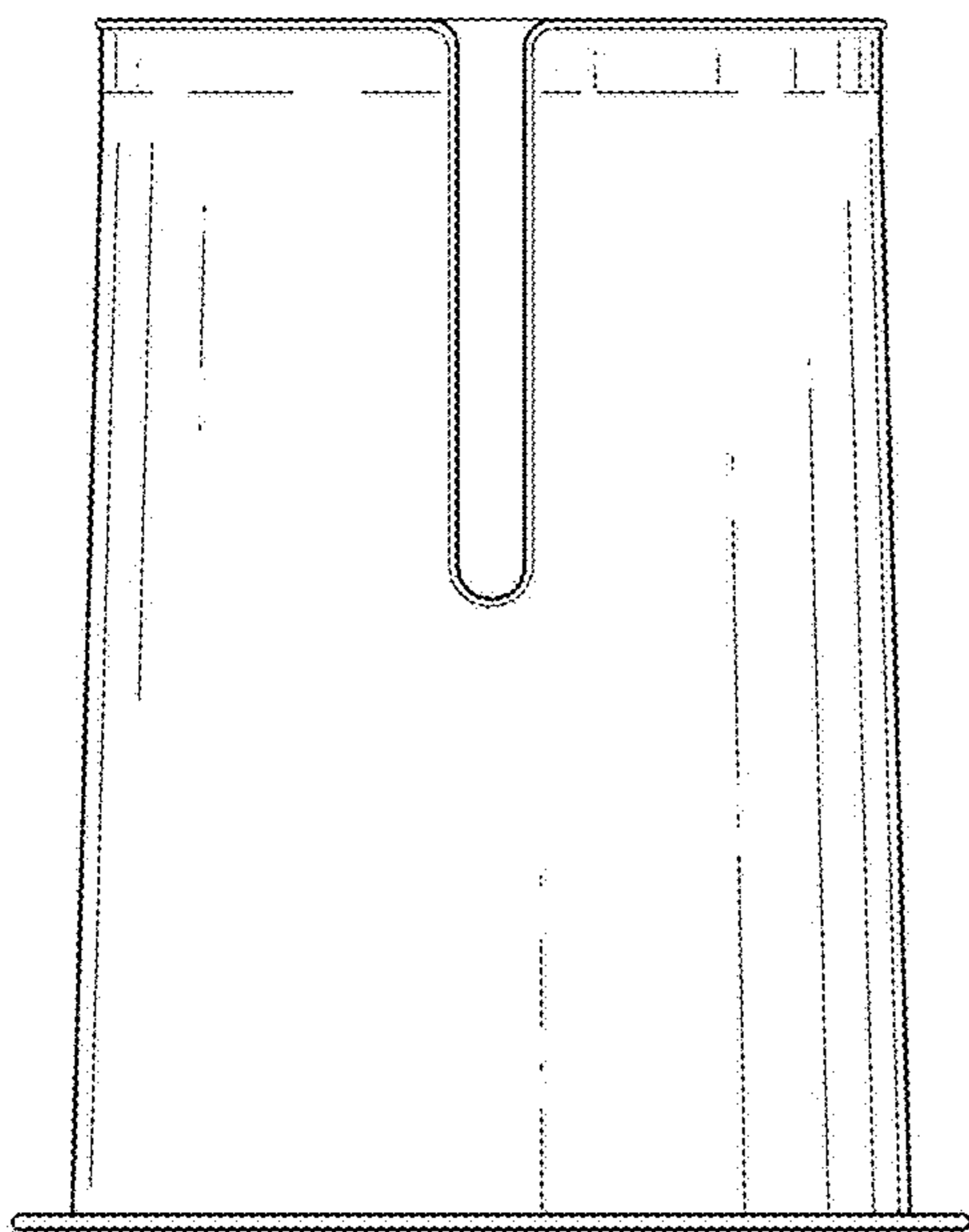


FIG. 3

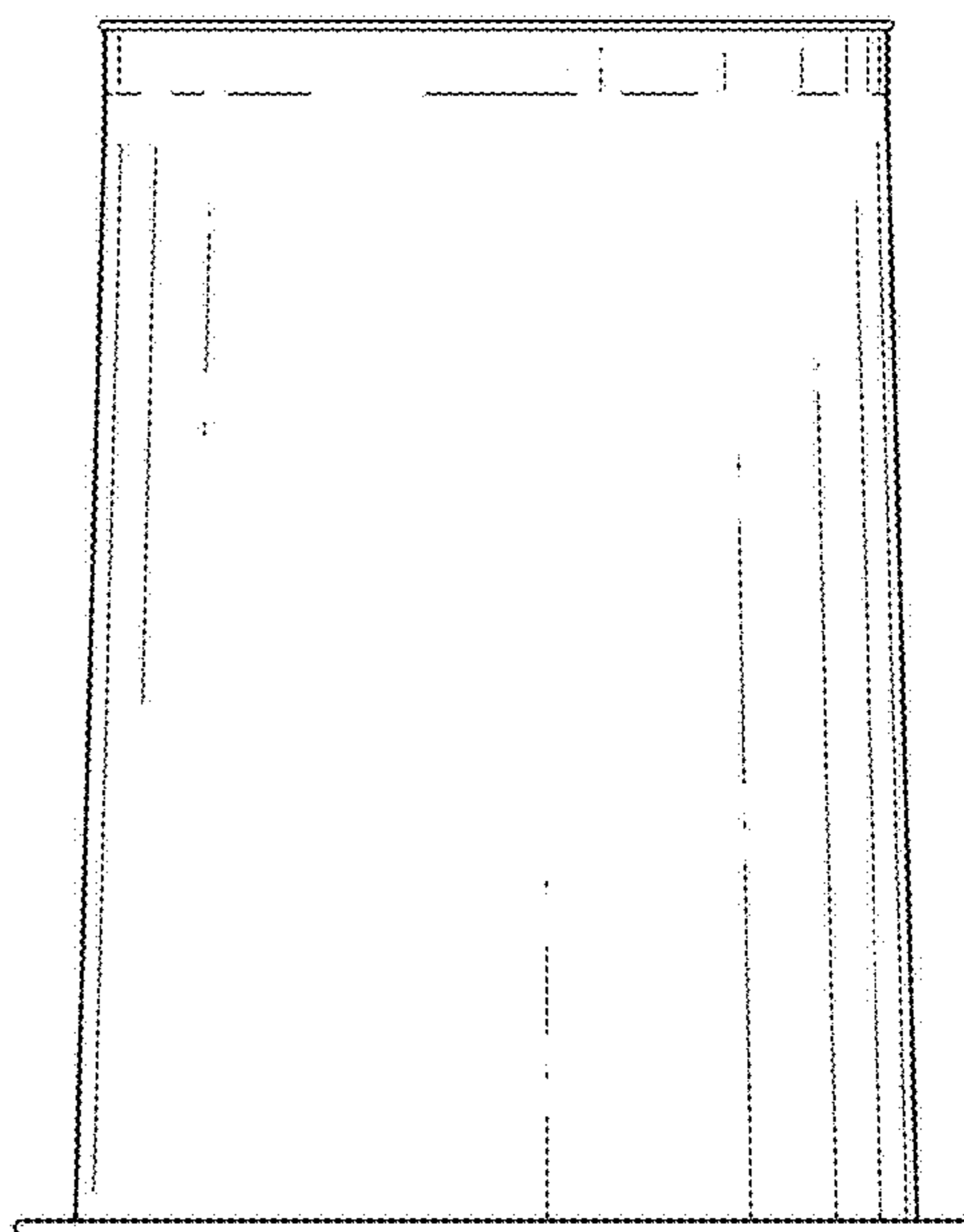


FIG. 4

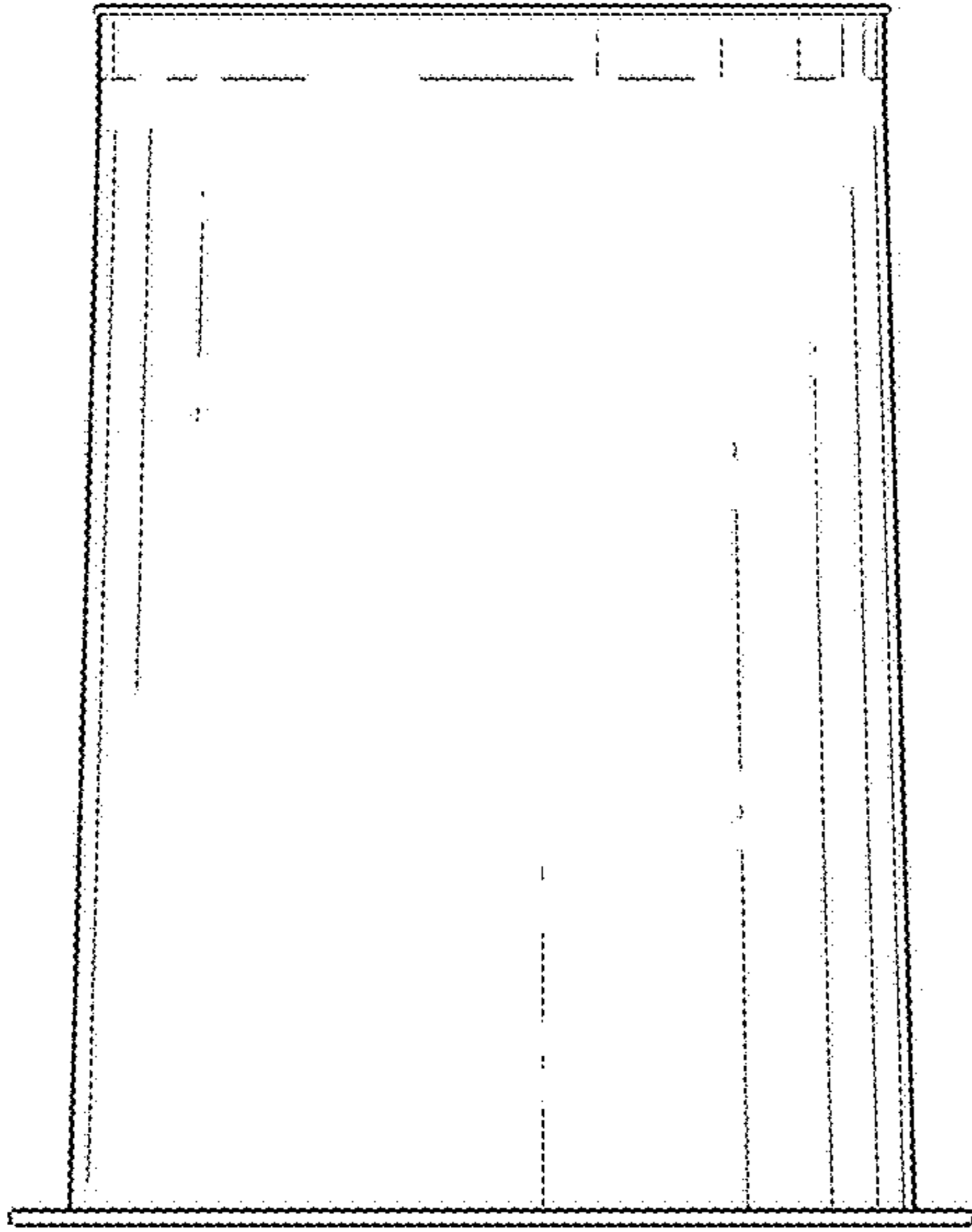


FIG. 5

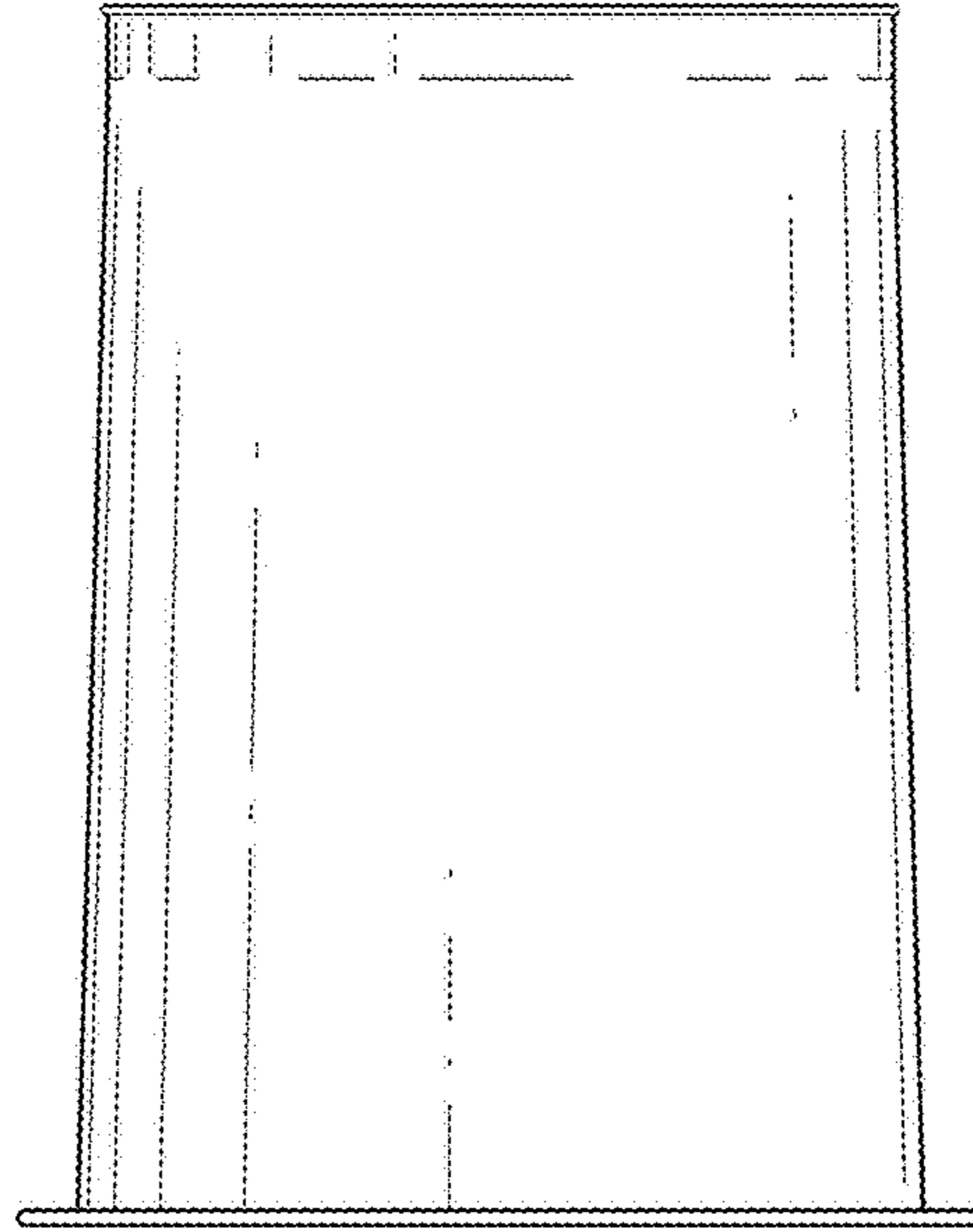


FIG. 6

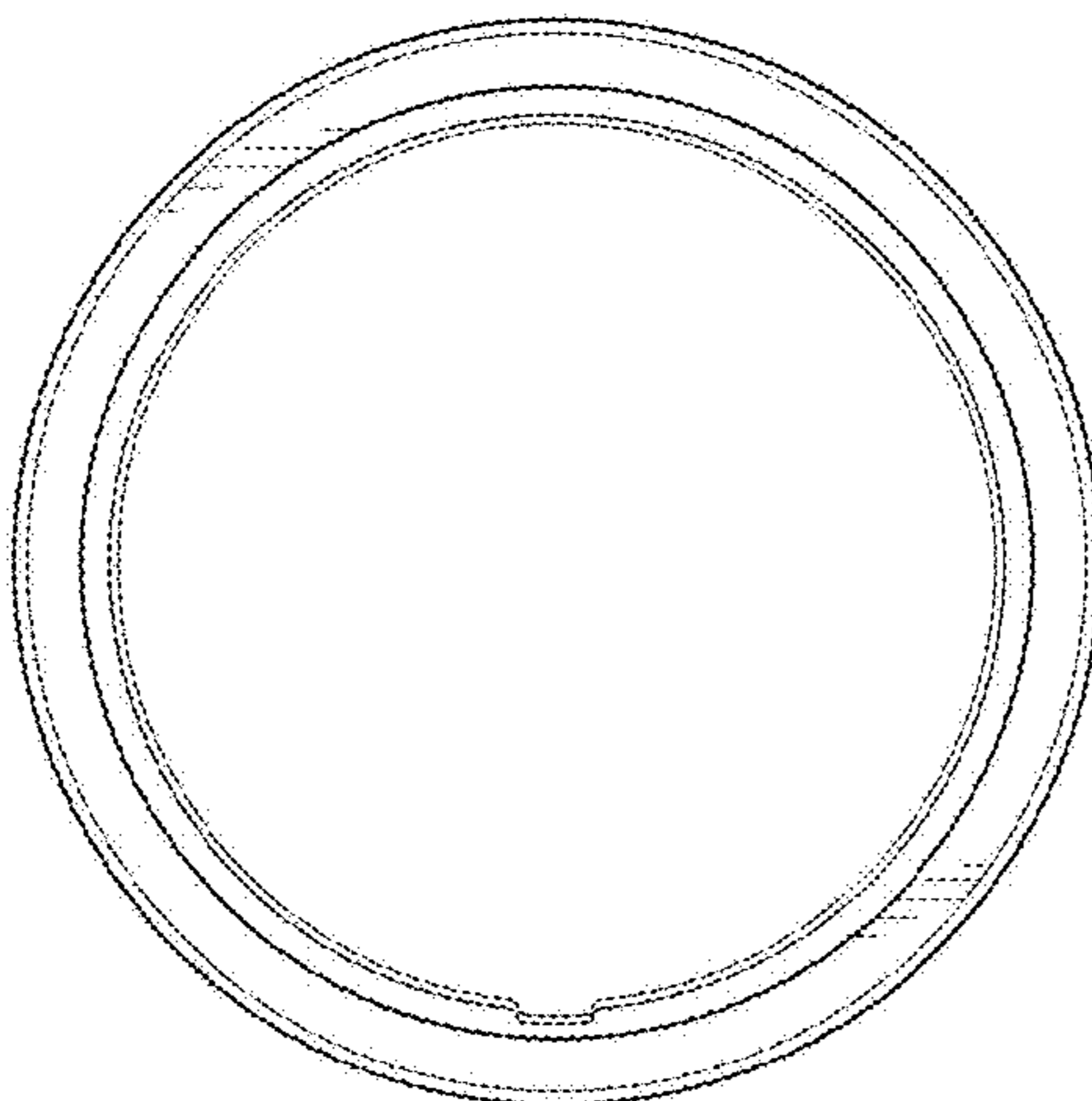


FIG. 7

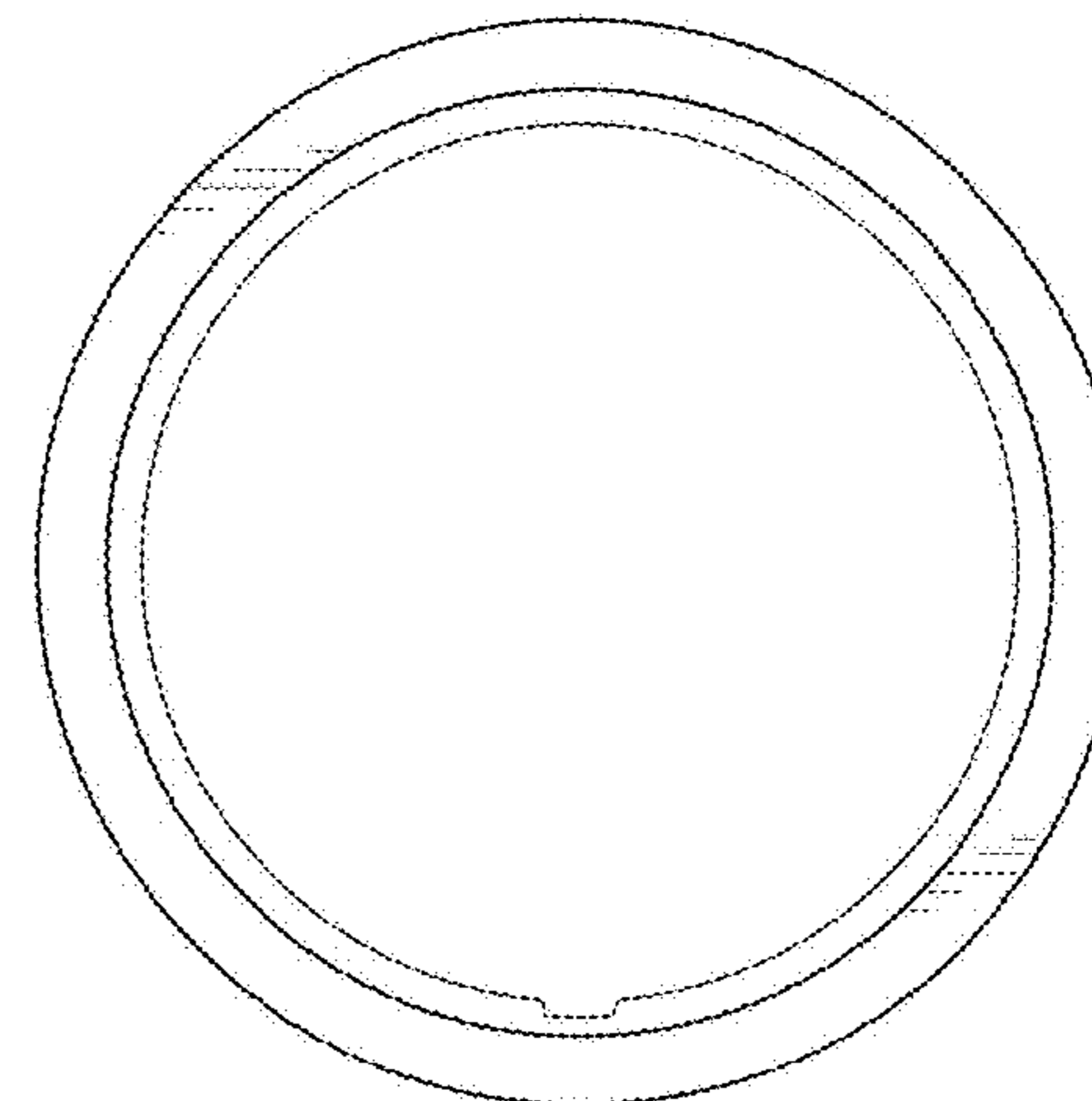
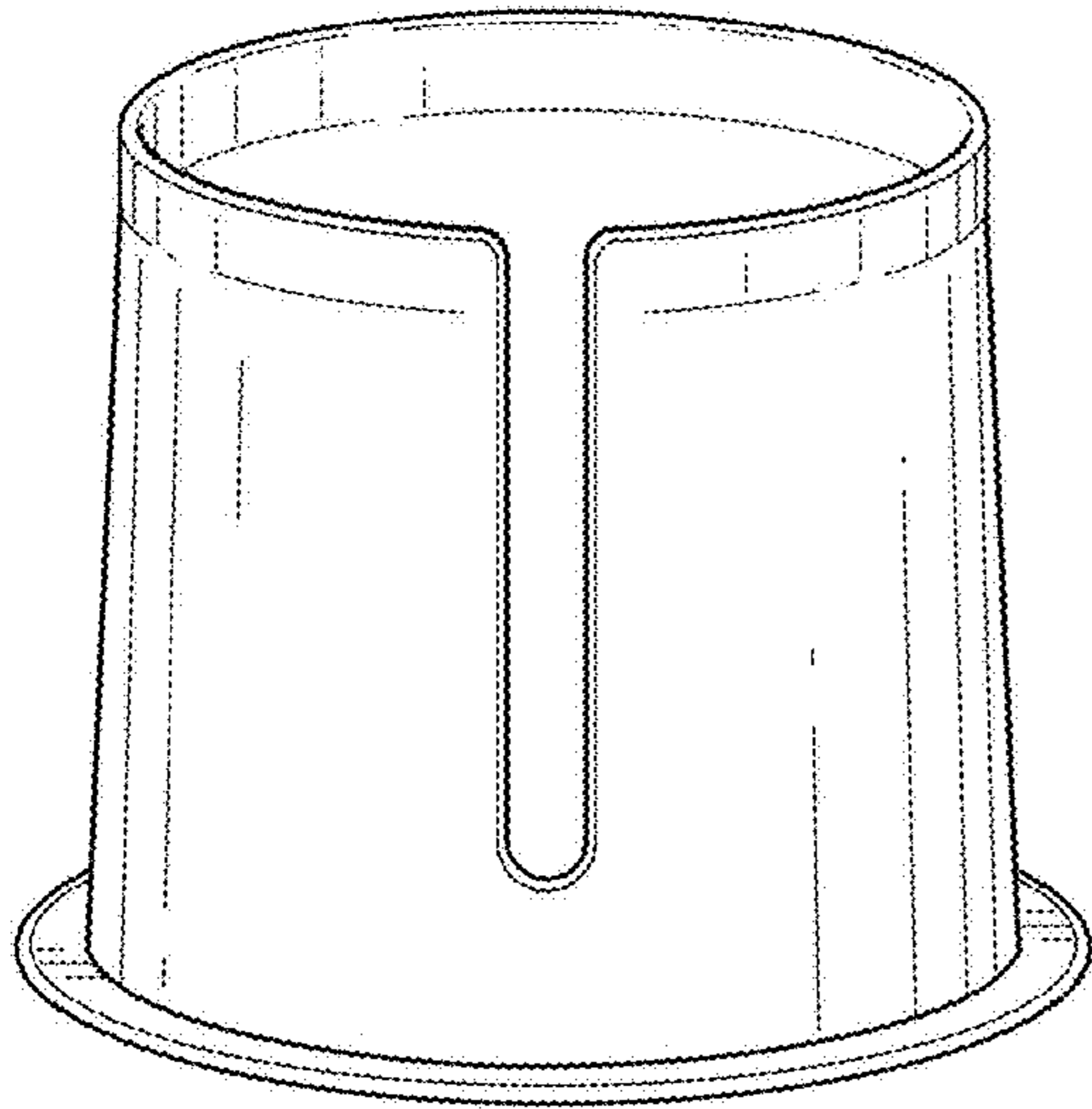
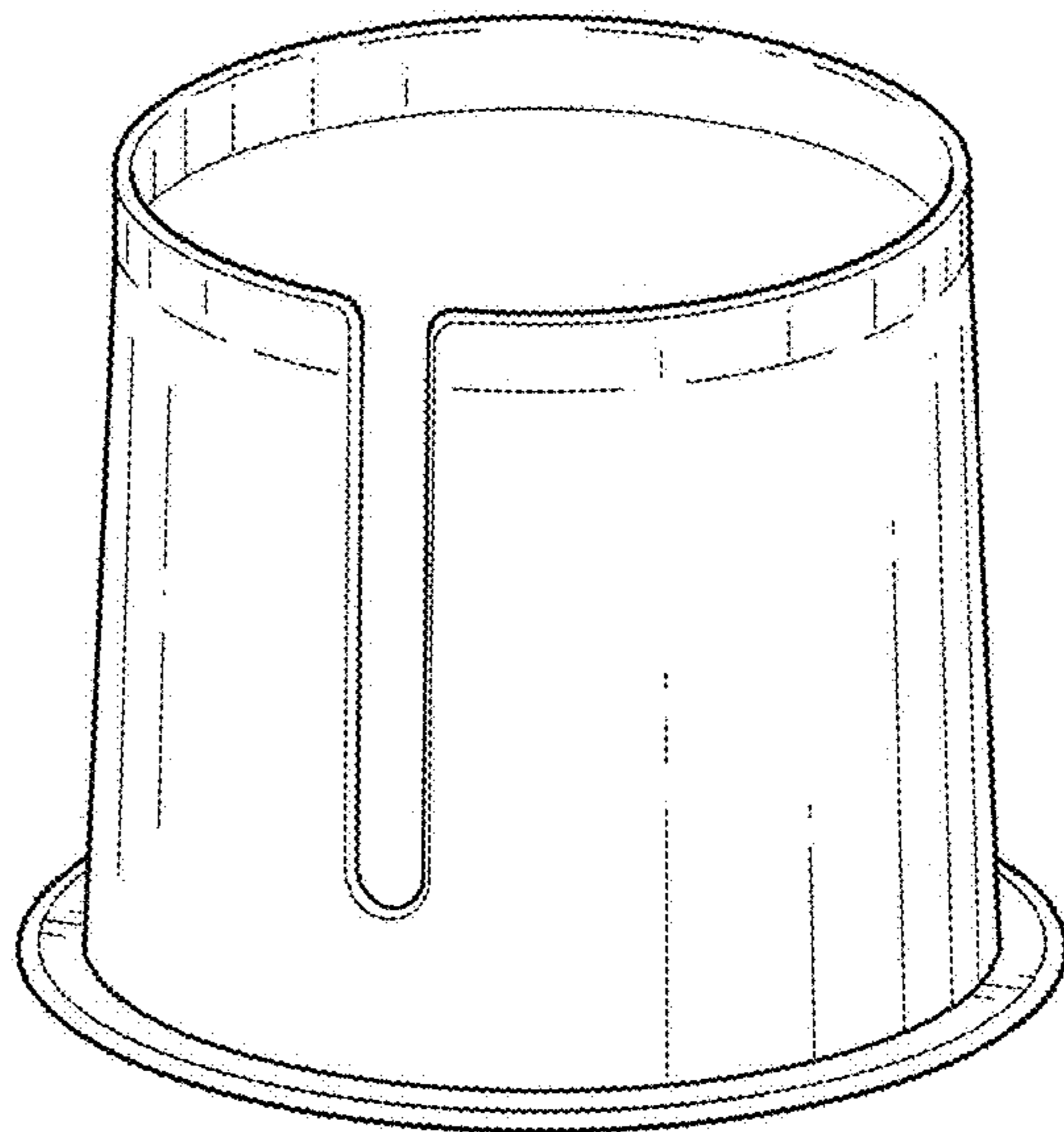


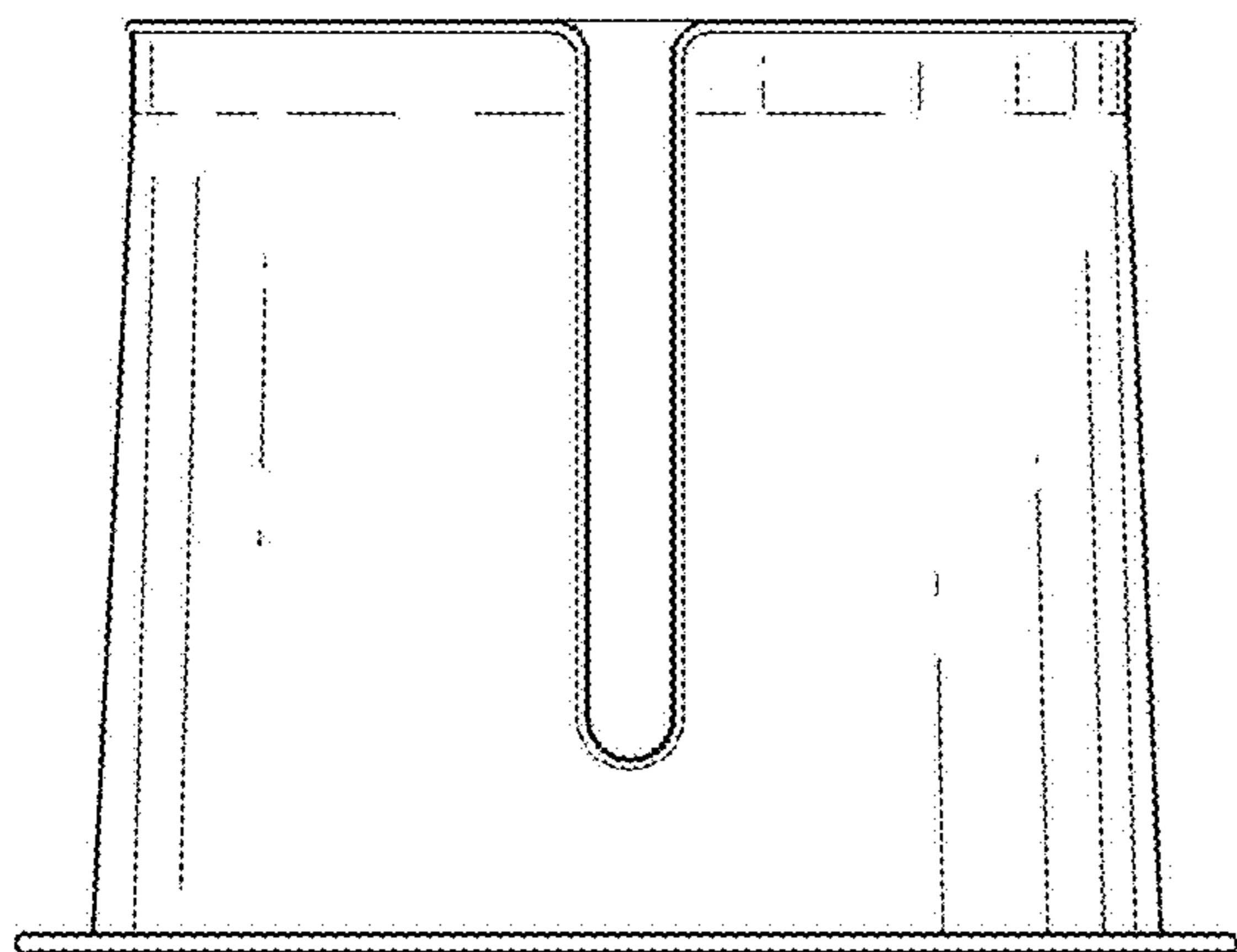
FIG. 8



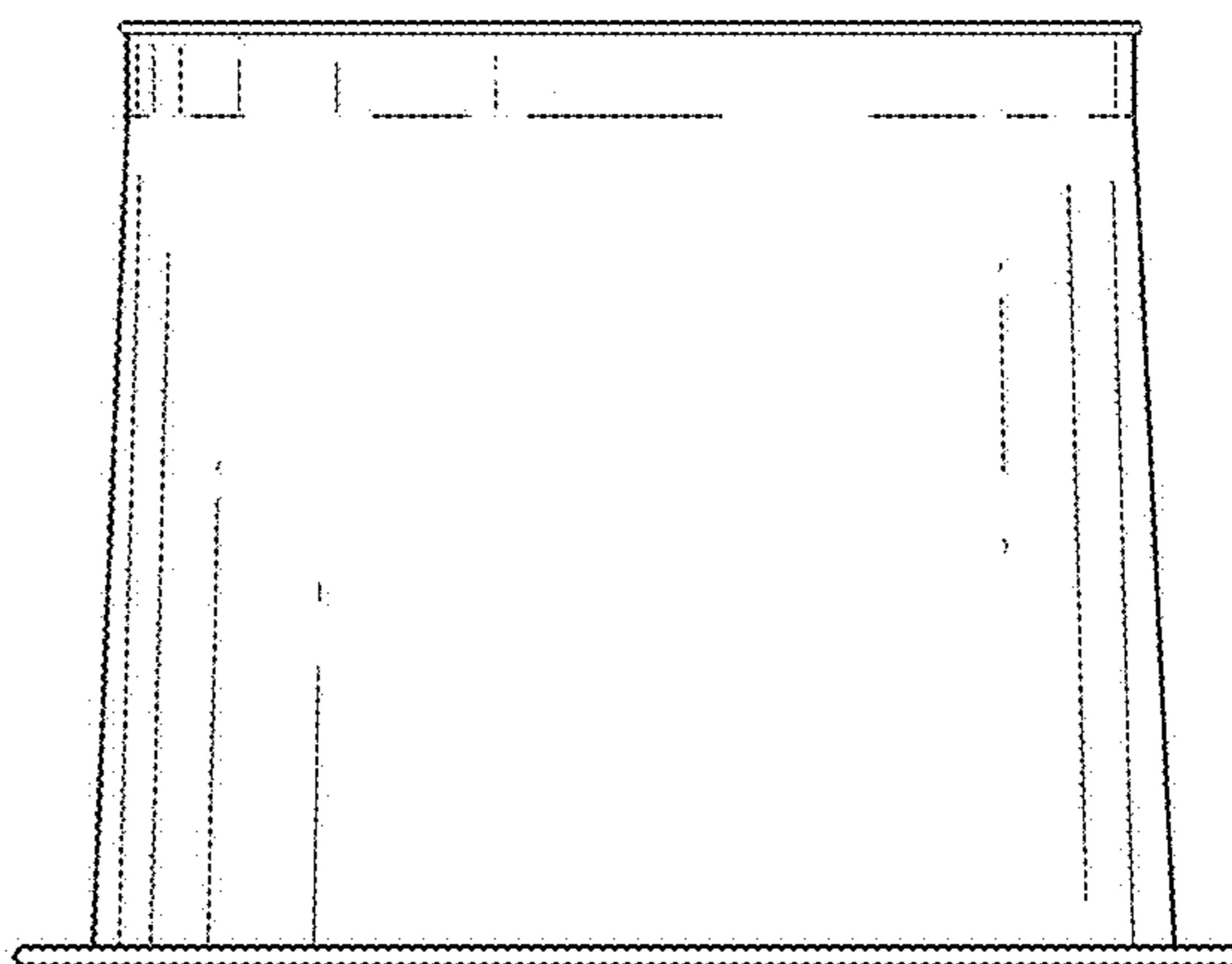
*FIG. 9*



*FIG. 10*



*FIG. 11*



*FIG. 12*

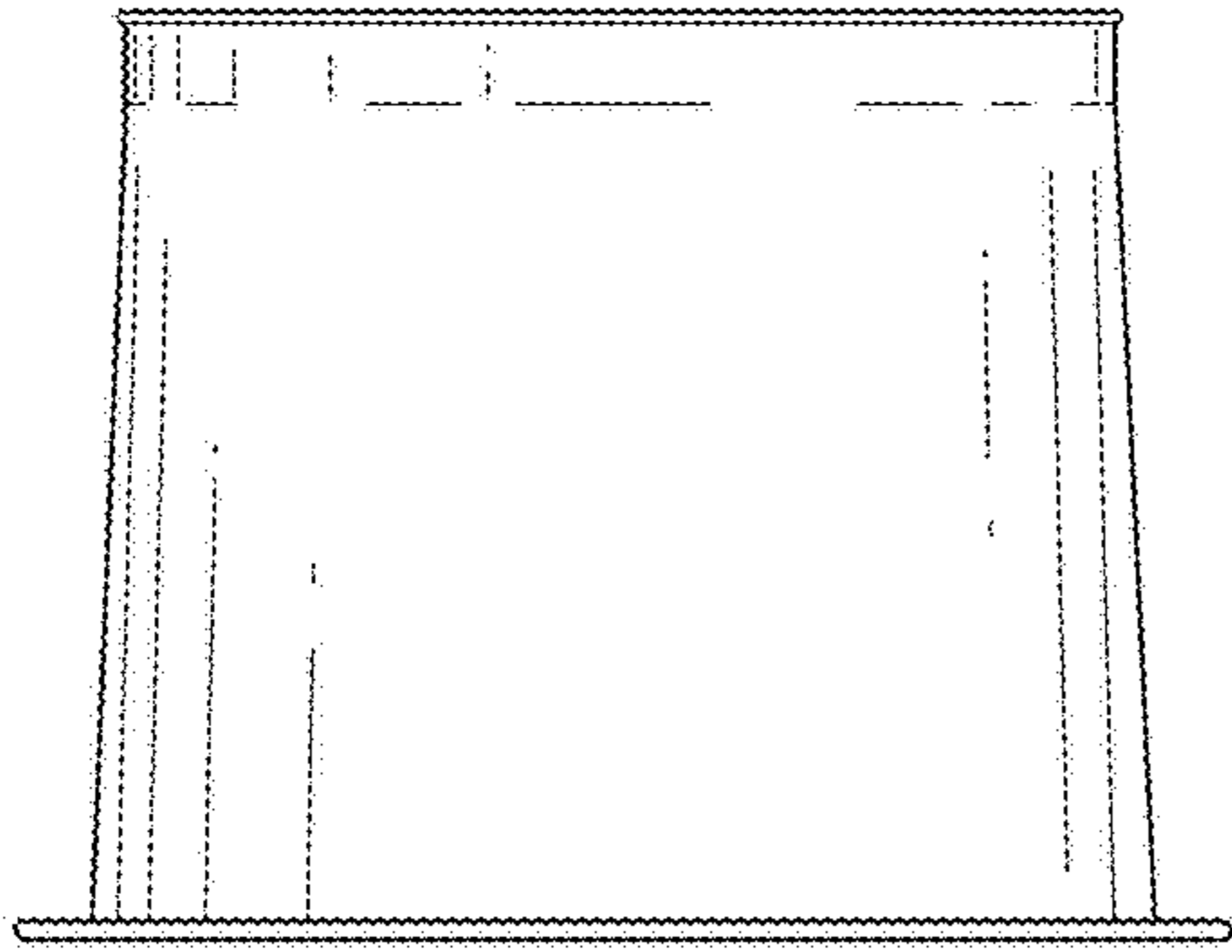


FIG. 13

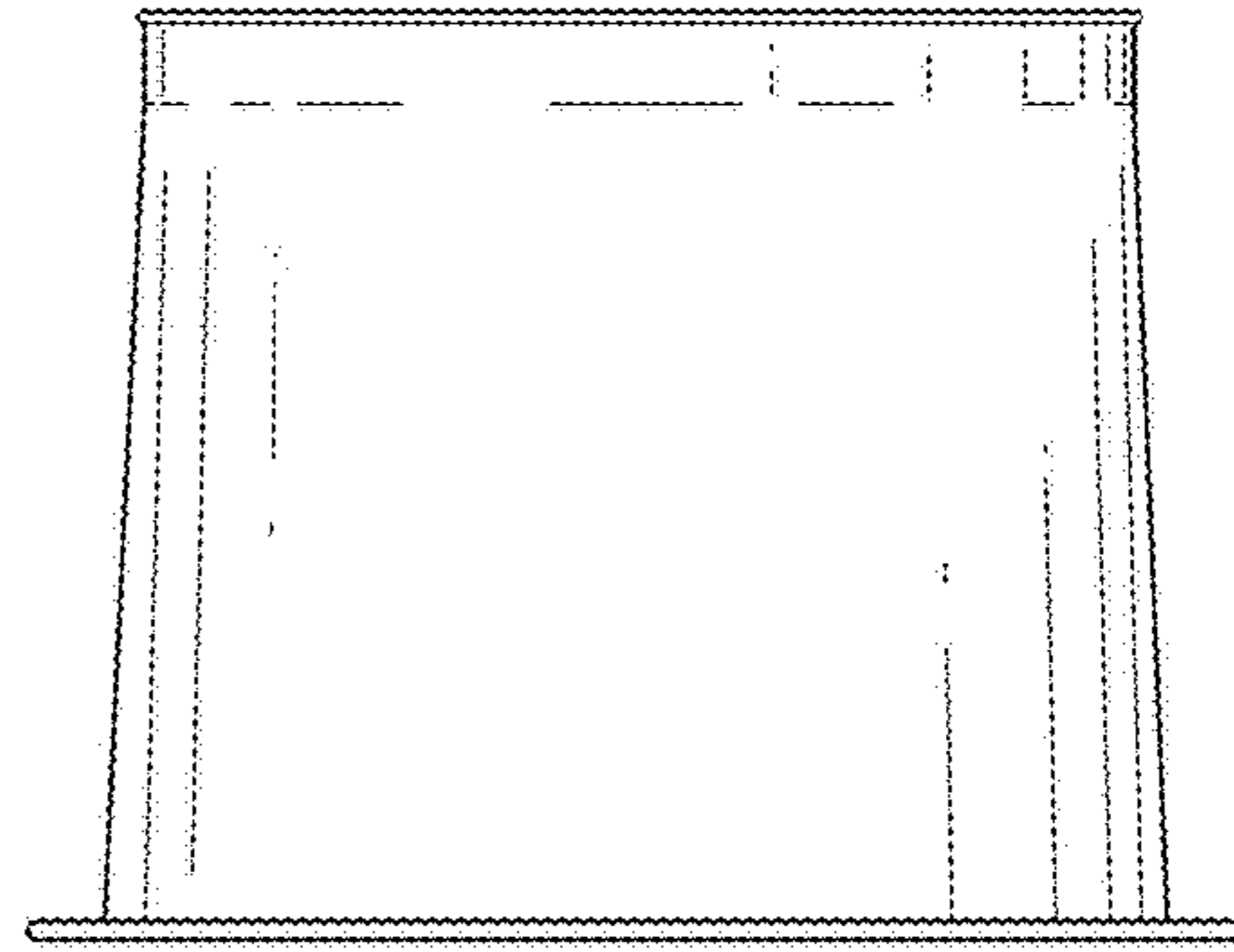


FIG. 14

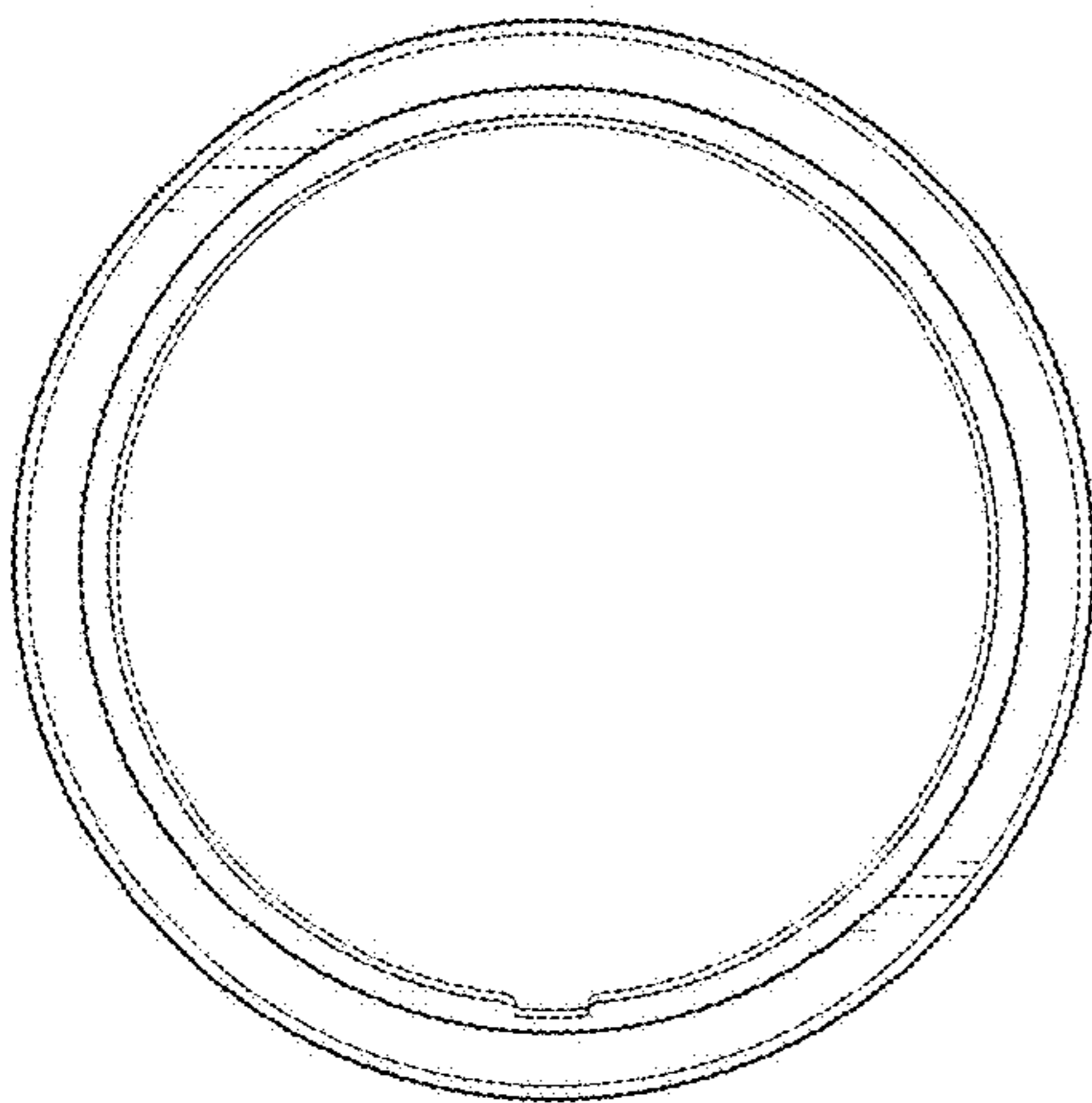


FIG. 15

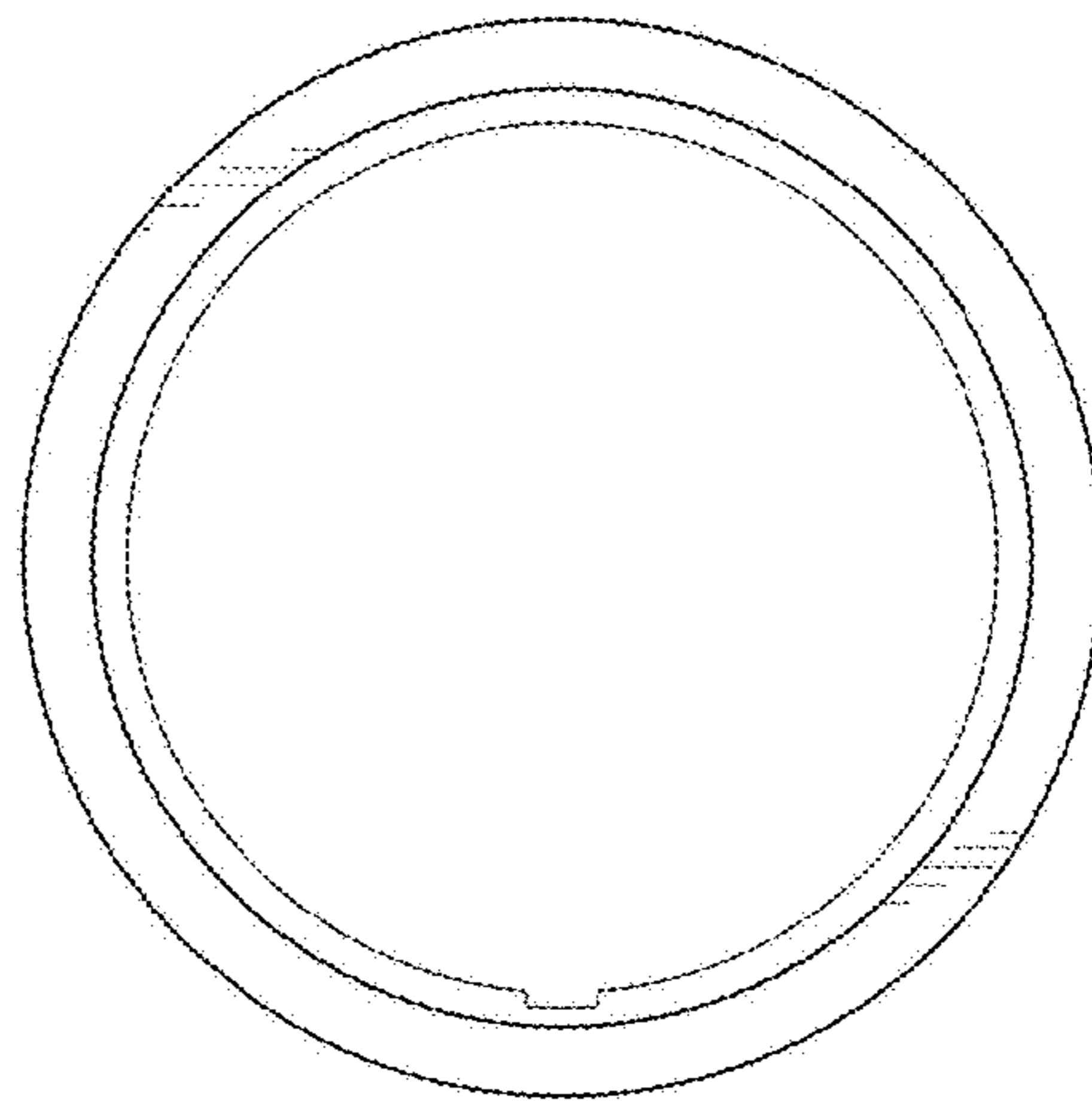


FIG. 16