



US00D807114S

(12) **United States Design Patent**
Niles

(10) **Patent No.:** **US D807,114 S**

(45) **Date of Patent:** **** Jan. 9, 2018**

(54) **STOPPER FOR DECANTER**

D758,853 S * 6/2016 Seeuwen D9/439
D780,574 S * 3/2017 Seeuwen D9/439
D792,214 S * 7/2017 Kerill D9/442

(71) Applicant: **Ruth Niles**, Newville, PA (US)

* cited by examiner

(72) Inventor: **Ruth Niles**, Newville, PA (US)

Primary Examiner — Daniel Bui

(**) Term: **15 Years**

Assistant Examiner — Andrew Kerr

(21) Appl. No.: **29/620,331**

(74) *Attorney, Agent, or Firm* — Sandra M. Kotin

(22) Filed: **Oct. 21, 2016**

(57) **CLAIM**

(51) **LOC (11) Cl.** **07-99**

The ornamental design for a stopper for decanter, as shown and described.

(52) **U.S. Cl.**

USPC **D7/392.1**

DESCRIPTION

(58) **Field of Classification Search**

USPC D7/387, 396.2; D9/434–436, 439,
D9/445–447, 449

CPC B65D 39/00; B65D 39/08; B65D 39/14

See application file for complete search history.

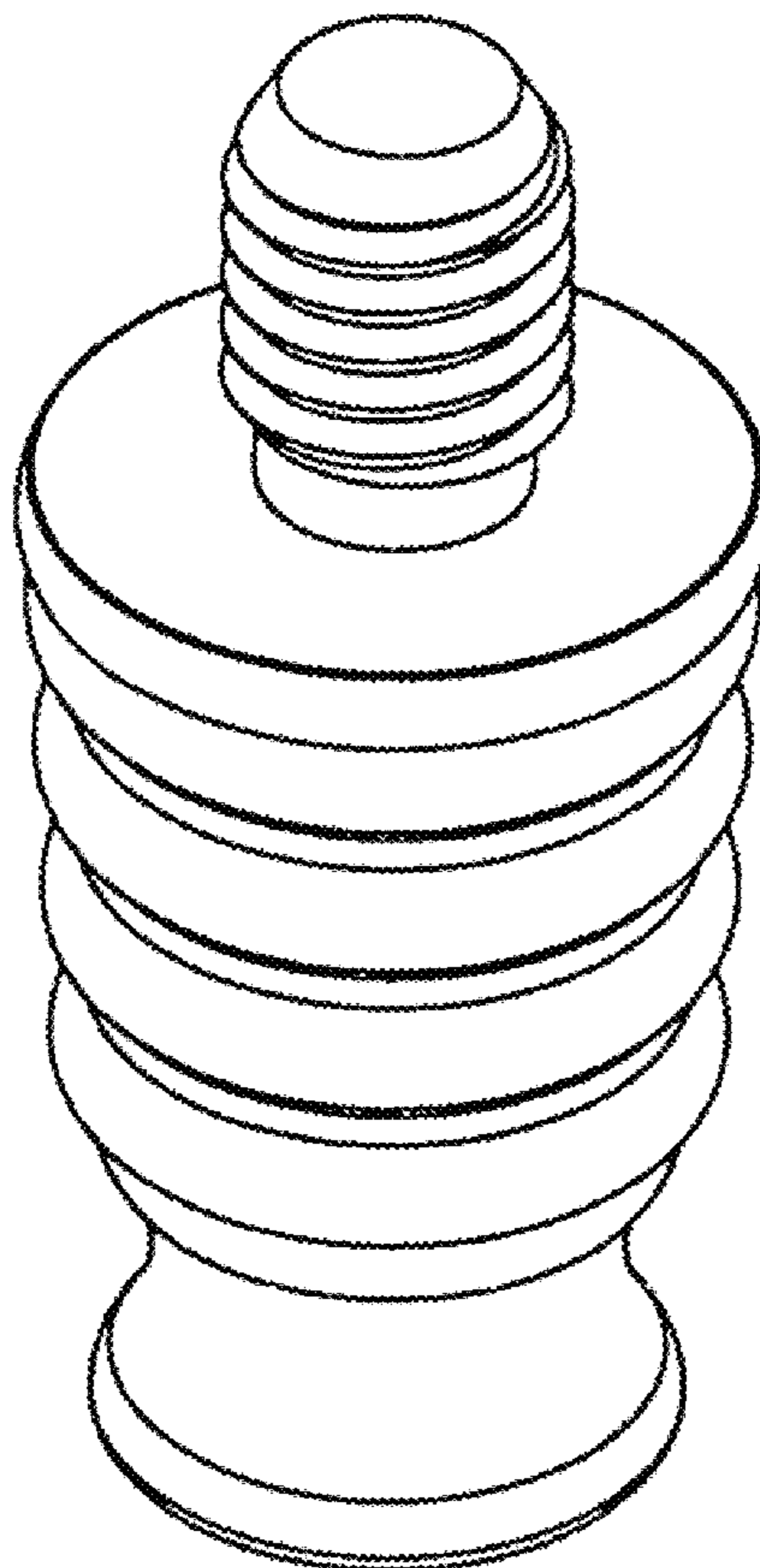
FIG. 1 is a front, top perspective view of a stopper for decanter showing my new design;
FIG. 2 is a front, bottom perspective view thereof;
FIG. 3 is a front elevational view thereof;
FIG. 4 is a rear elevational view thereof;
FIG. 5 is a top plan view thereof;
FIG. 6 is bottom plan view thereof;
FIG. 7 is a right side elevational view thereof;
FIG. 8 is a left side elevational view thereof; and,
FIG. 9 is an exploded view thereof.

(56) **References Cited**

U.S. PATENT DOCUMENTS

D580,756 S * 11/2008 Seebold D9/439
8,783,486 B1 * 7/2014 Hoyt B65D 79/005
215/355
D729,063 S * 5/2015 Koop D9/439

1 Claim, 2 Drawing Sheets



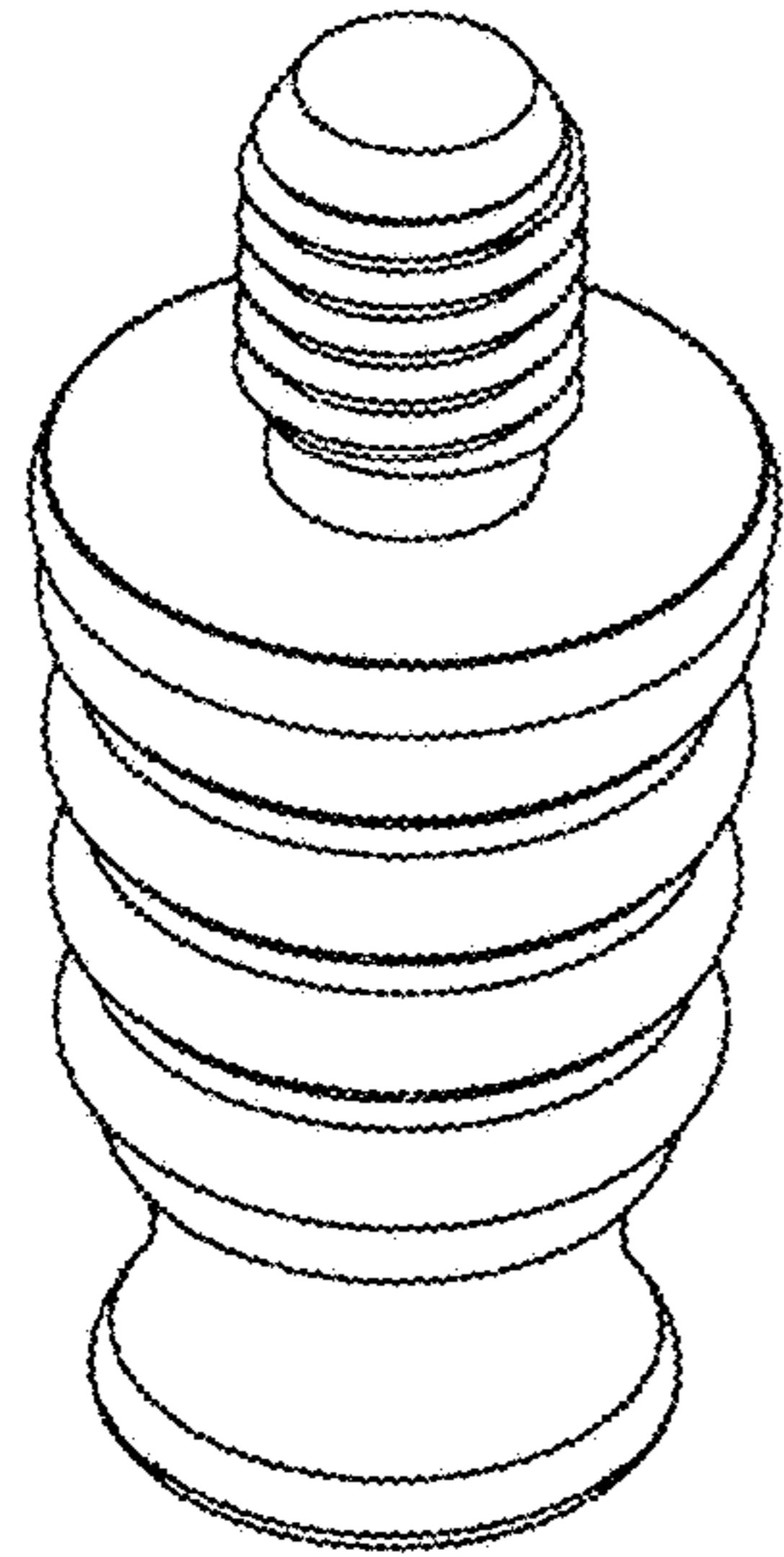


FIG. 1

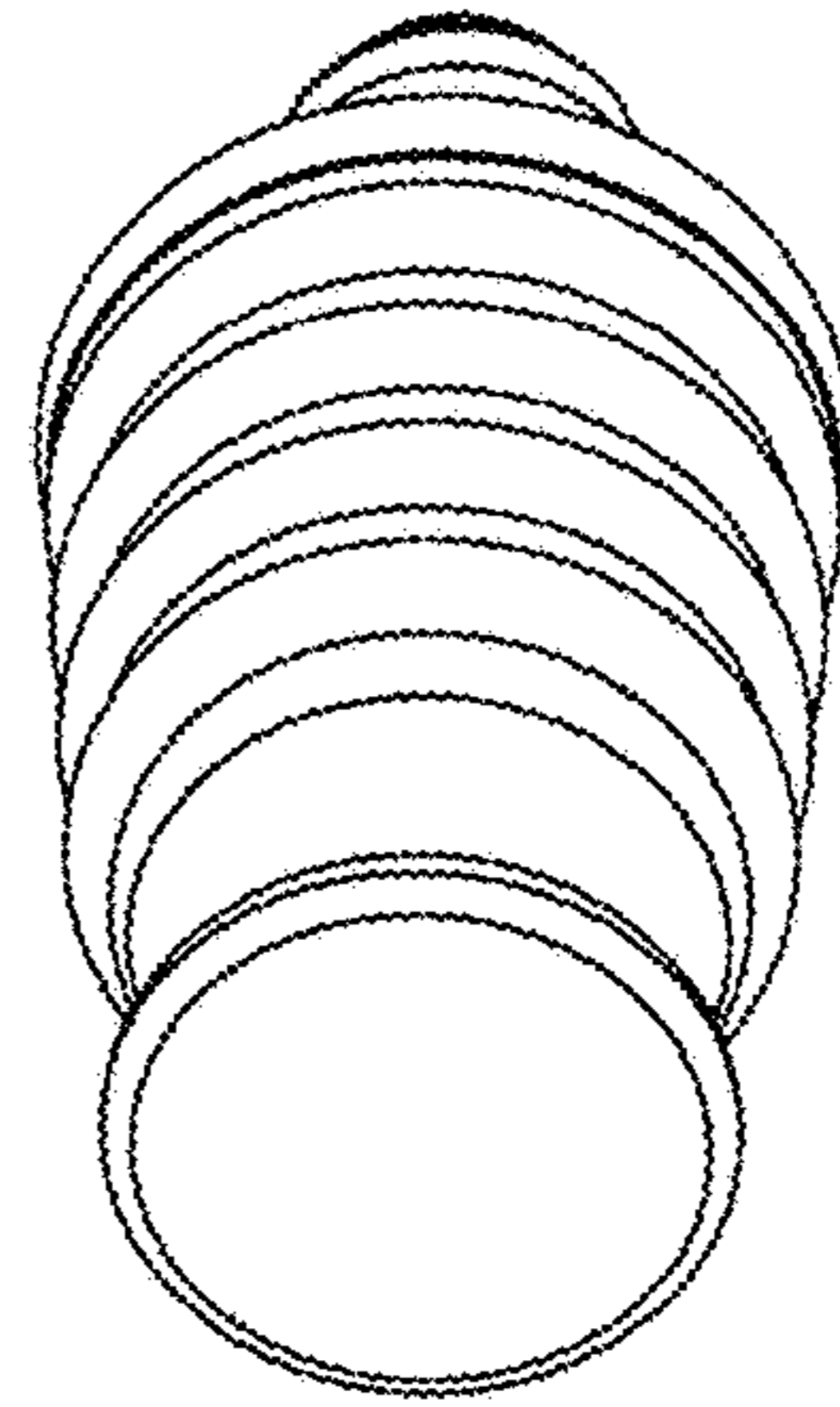


FIG. 2

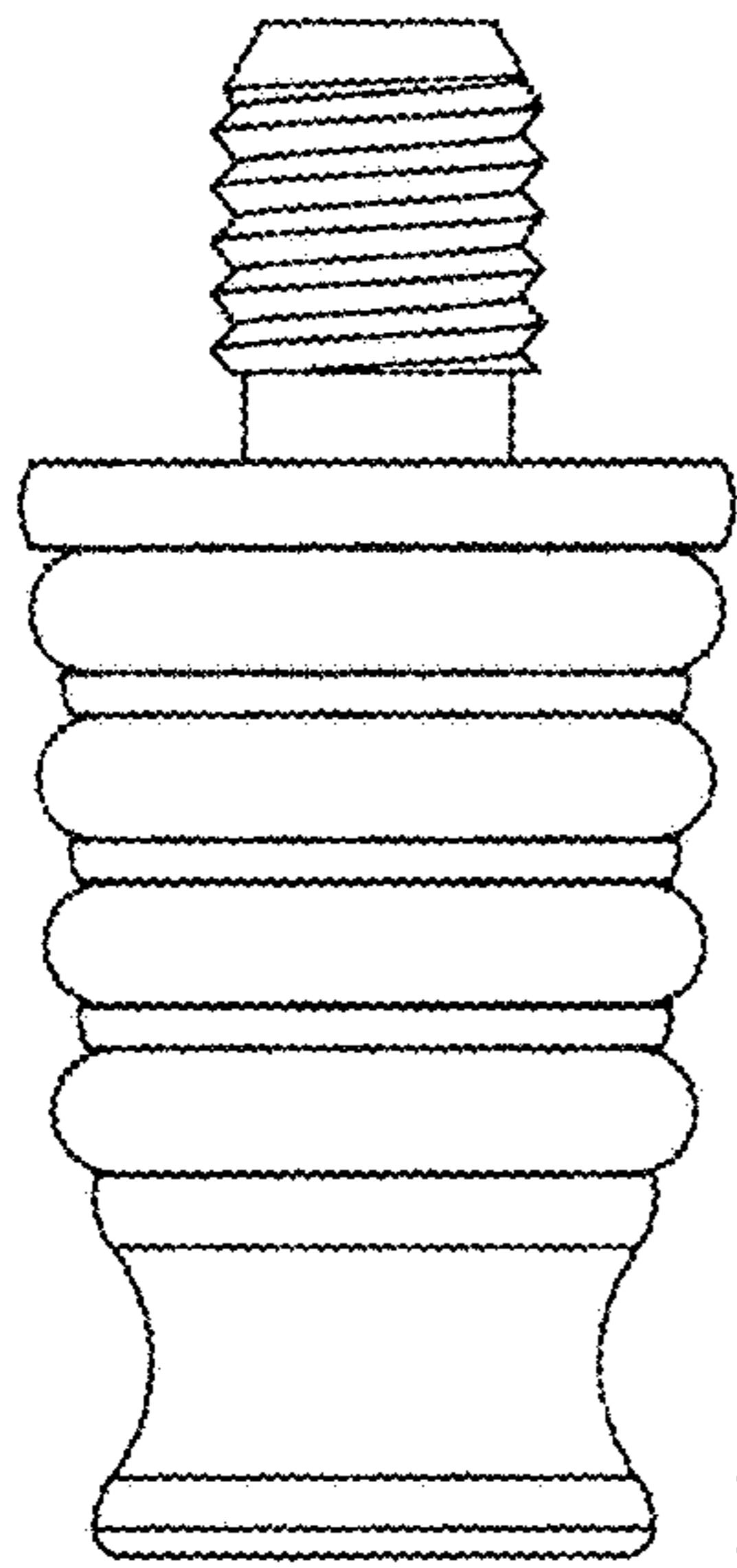


FIG. 3

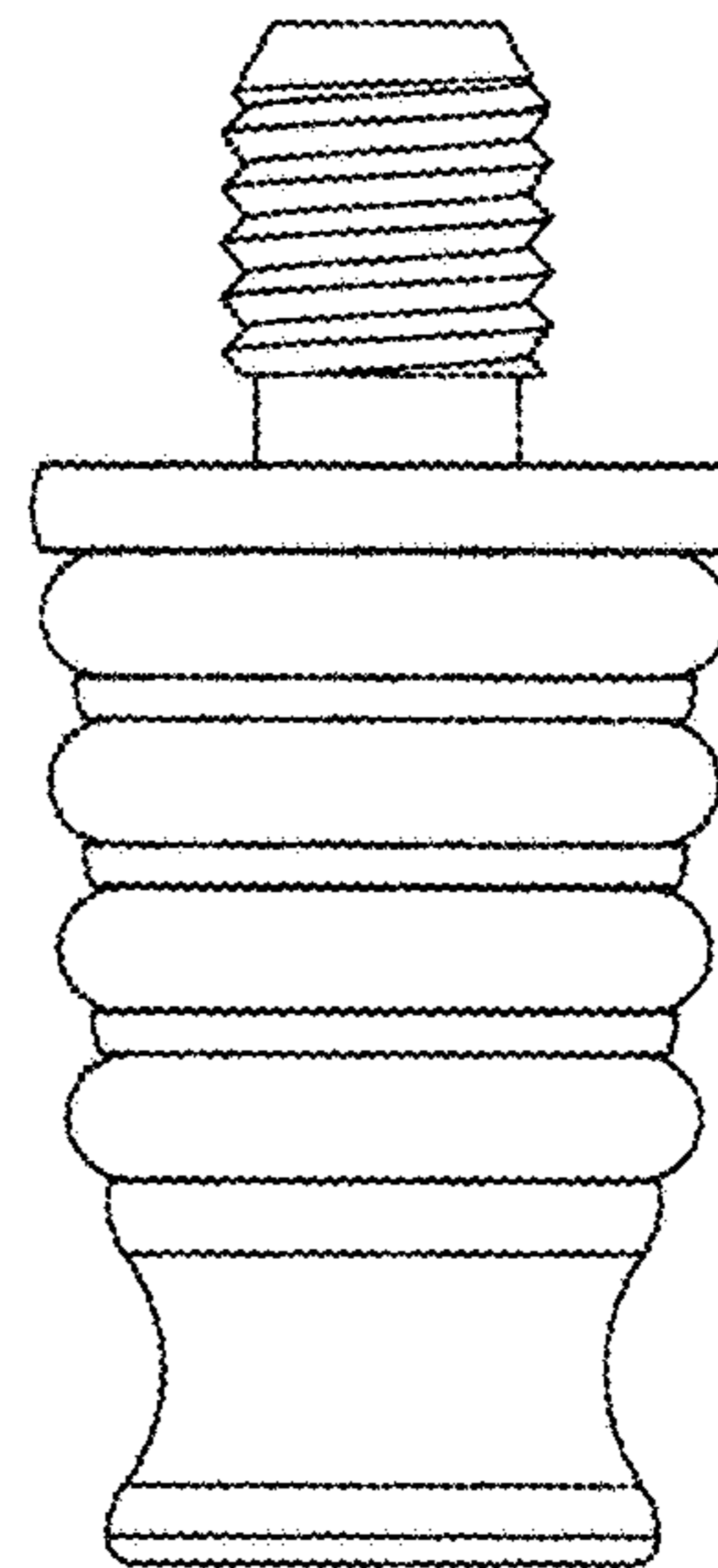


FIG. 4

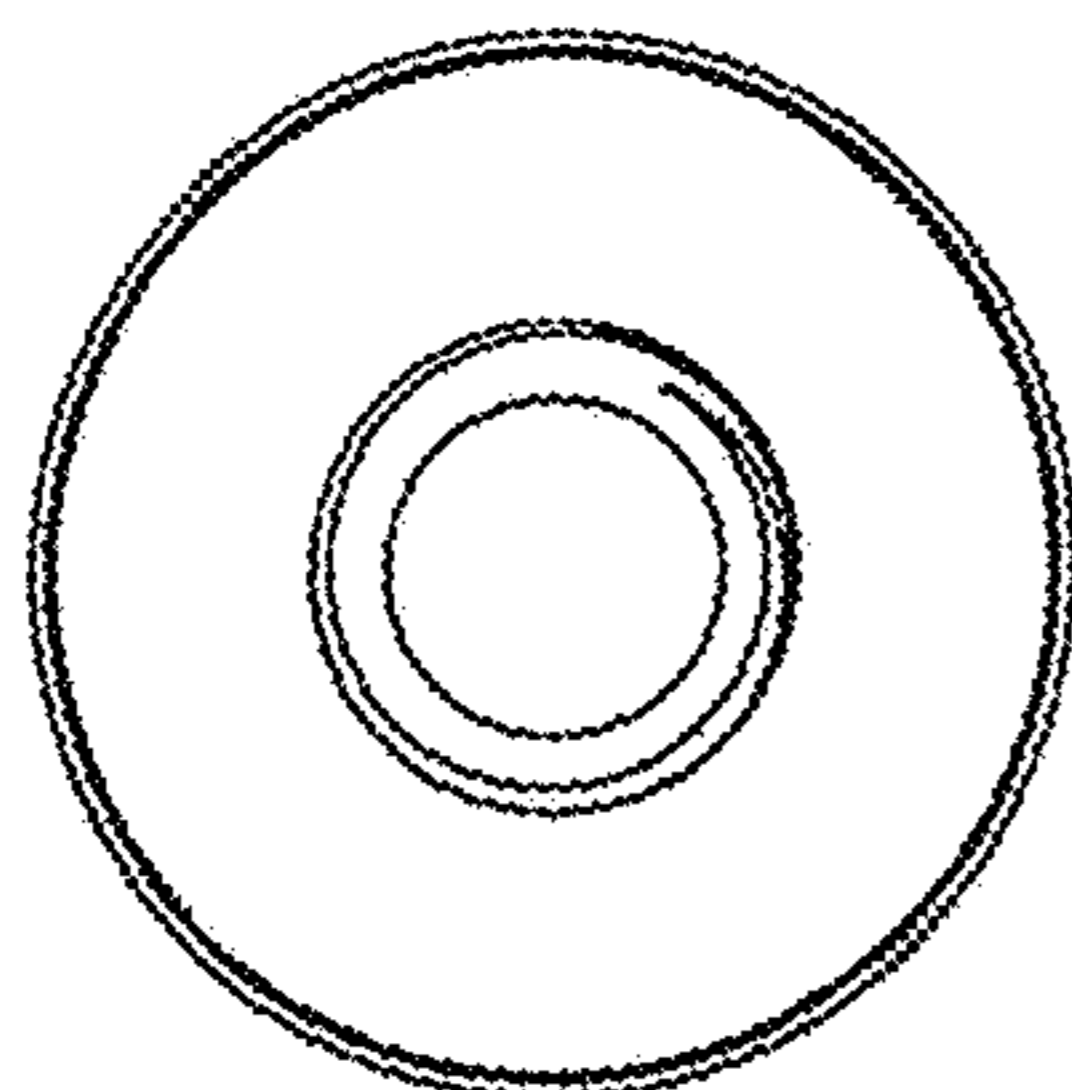


FIG. 5

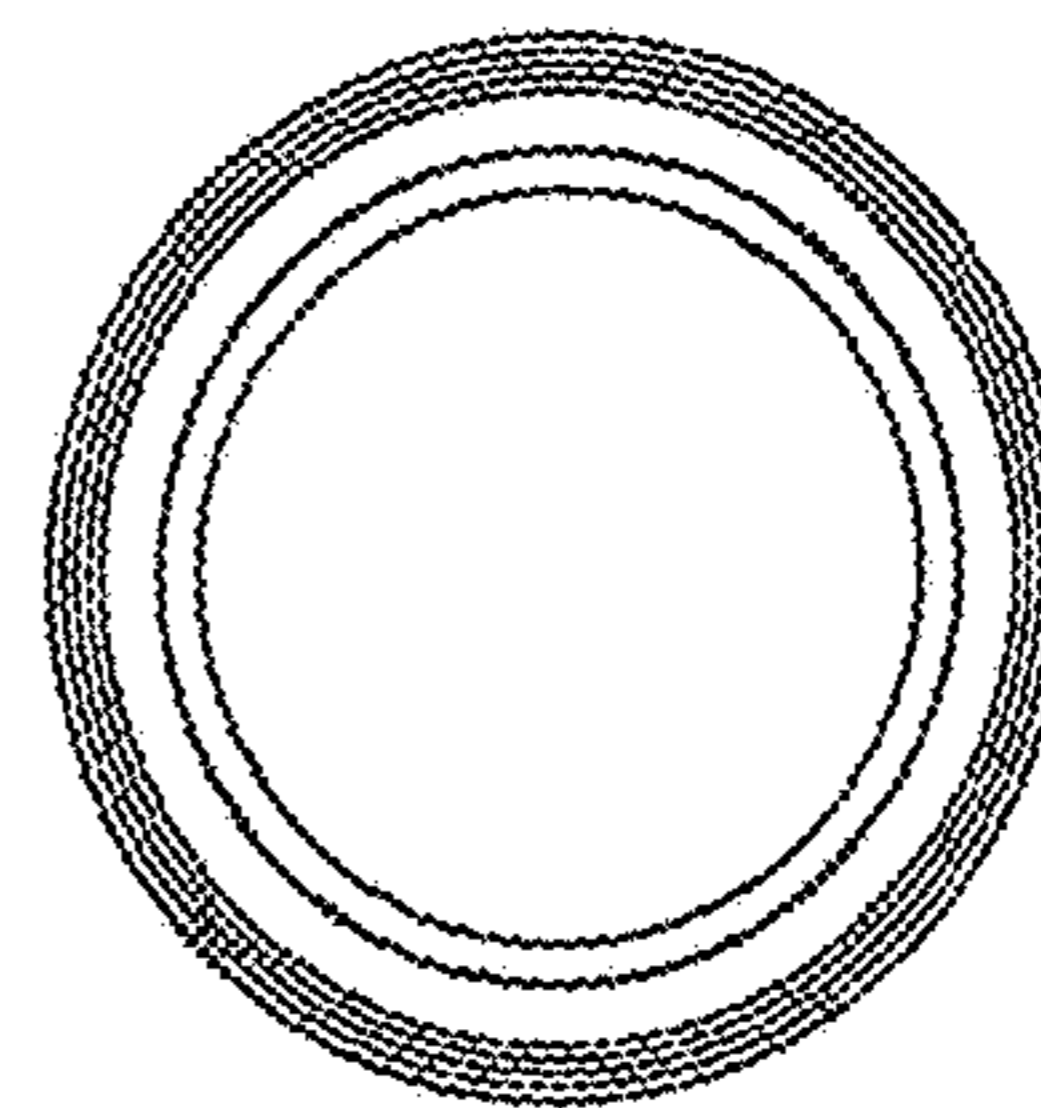


FIG. 6

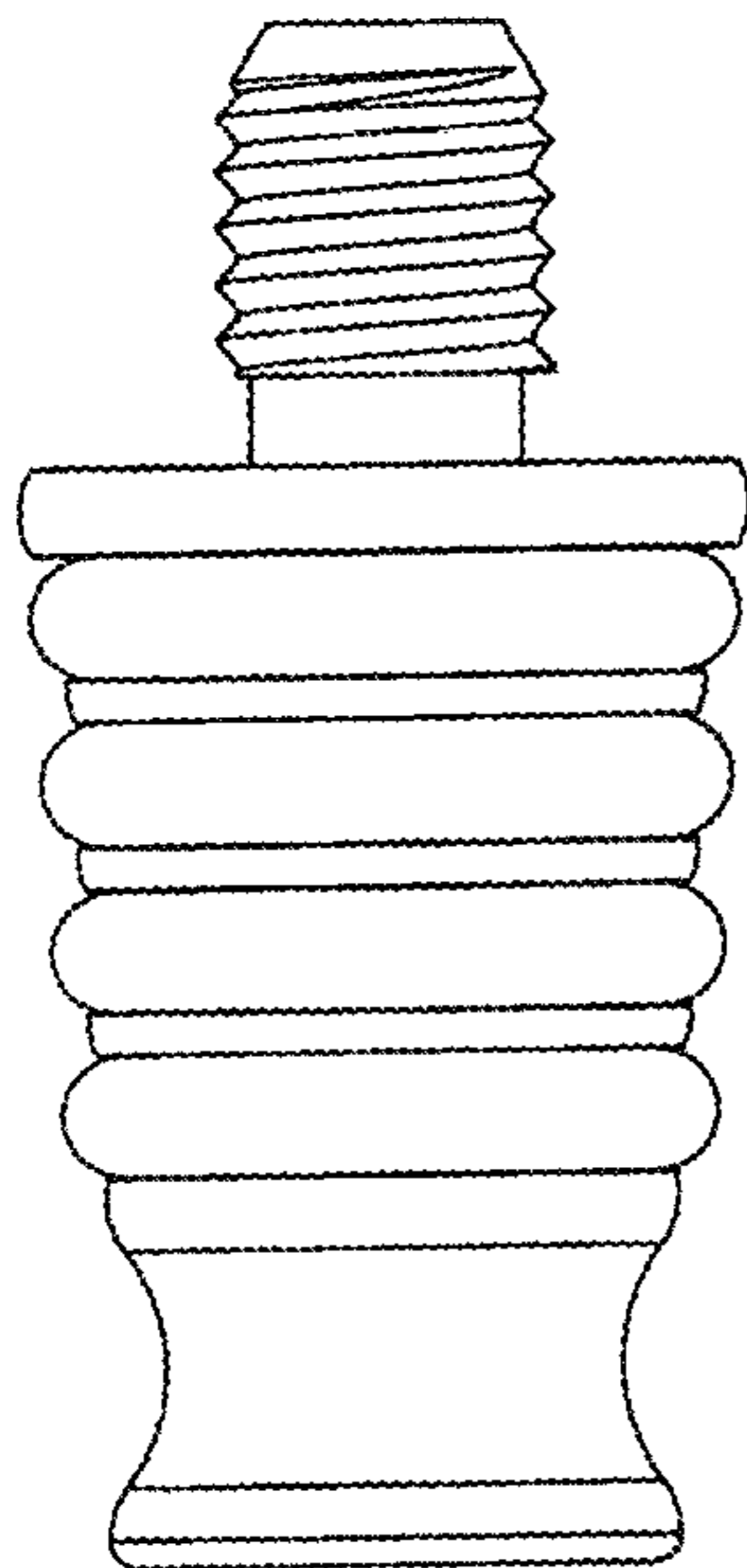


FIG. 7

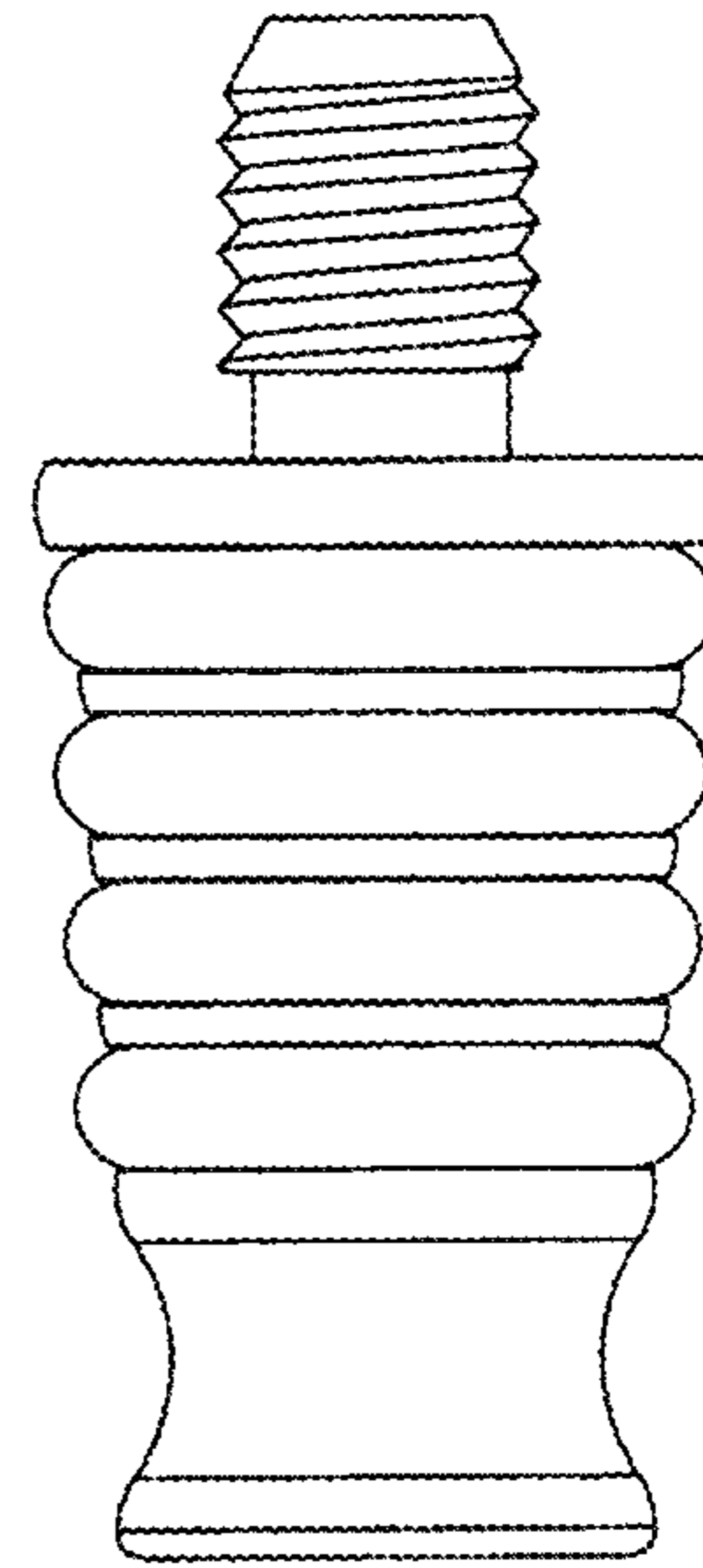


FIG. 8

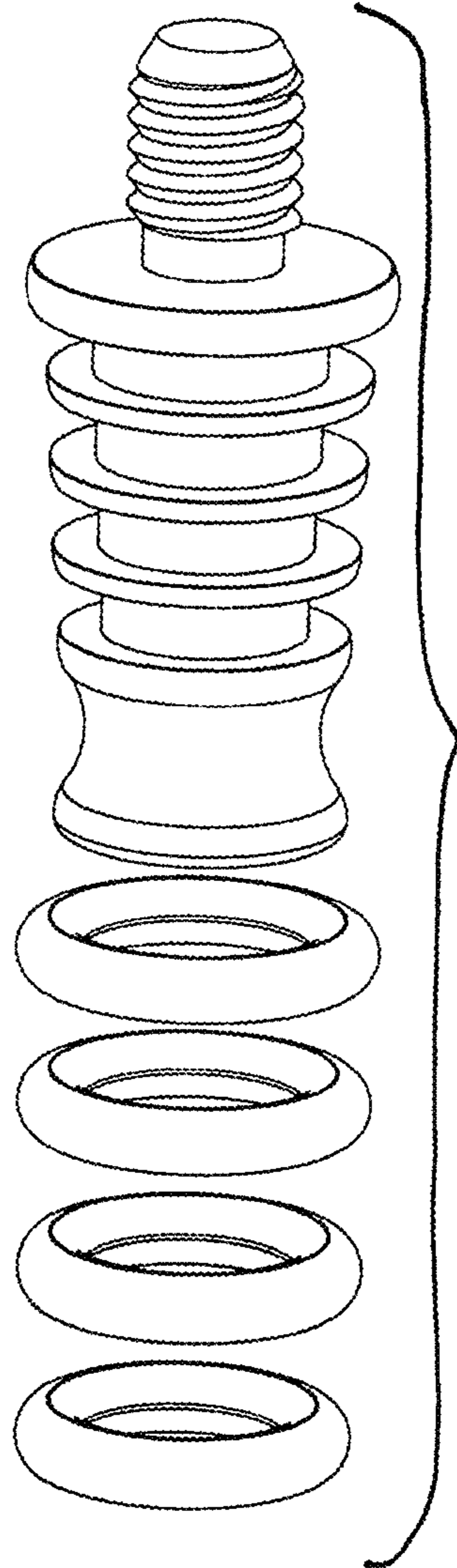


FIG. 9