



US00D807112S

(12) **United States Design Patent**
Barea et al.

(10) **Patent No.:** **US D807,112 S**
(45) **Date of Patent:** **** Jan. 9, 2018**

(54) **LID FOR A MICROWAVEABLE CONTAINER**

(71) Applicant: **Dart Industries Inc.**, Orlando, FL (US)

(72) Inventors: **Hector J. Barea**, Orlando, FL (US);
Mark T. Terrill, Jr., Orlando, FL (US);
JianJun Luo, Guangzhou (CN)

(73) Assignee: **Dart Industries Inc.**, Orlando, FL (US)

(**) Term: **15 Years**

(21) Appl. No.: **29/572,670**

(22) Filed: **Jul. 29, 2016**

(51) **LOC (11) Cl.** **07-02**

(52) **U.S. Cl.**
USPC **D7/391; D7/354**

(58) **Field of Classification Search**
USPC D7/323, 354–363, 391, 393–396, 409,
D7/538, 542

CPC A47G 19/12; A47J 27/00; A47J 27/002;
A47J 27/08; A47J 27/21; A47J 27/58;
A47J 36/025; A47J 36/06; A47J 36/12;
A47J 37/00; A47J 37/10; A47J 37/101;
A47J 37/103; A47J 37/12; A47J 37/1204;
A47J 45/061; A47J 45/071; A47J 45/08;
H05B 6/12

See application file for complete search history.

(56) **References Cited**

U.S. PATENT DOCUMENTS

D160,648 S * 10/1950 Muller-Munk D7/391
D261,215 S * 10/1981 Groh D7/391

D261,348 S * 10/1981 Groh D7/391
D568,108 S * 5/2008 Levien D7/538
D633,339 S * 3/2011 Hart D7/538
D643,244 S * 8/2011 de Groote D7/354
D683,179 S * 5/2013 Coursey D7/354
D744,776 S 12/2015 Seyers et al.

* cited by examiner

Primary Examiner — Ricky Pham

(74) *Attorney, Agent, or Firm* — Taylor J. Ross

(57) **CLAIM**

The ornamental design for a lid for a microwaveable container, as shown and described.

DESCRIPTION

This application is related to co-pending Ser. Nos. 29/572, 669 and 15/223,132 which are incorporated herein by reference.

FIG. 1 is a top, front and right side perspective view of a lid for a microwaveable container showing our new design;

FIG. 2 is a bottom, front and right side perspective view thereof;

FIG. 3 is a right side elevation view, the left side elevation being identical thereto;

FIG. 4 is a front elevation view, the rear elevation being identical thereto;

FIG. 5 is a top plan view thereof;

FIG. 6 is a bottom plan view thereof; and,

FIG. 7 is a cross-sectional view taken along line 7-7 of FIG. 5.

1 Claim, 4 Drawing Sheets

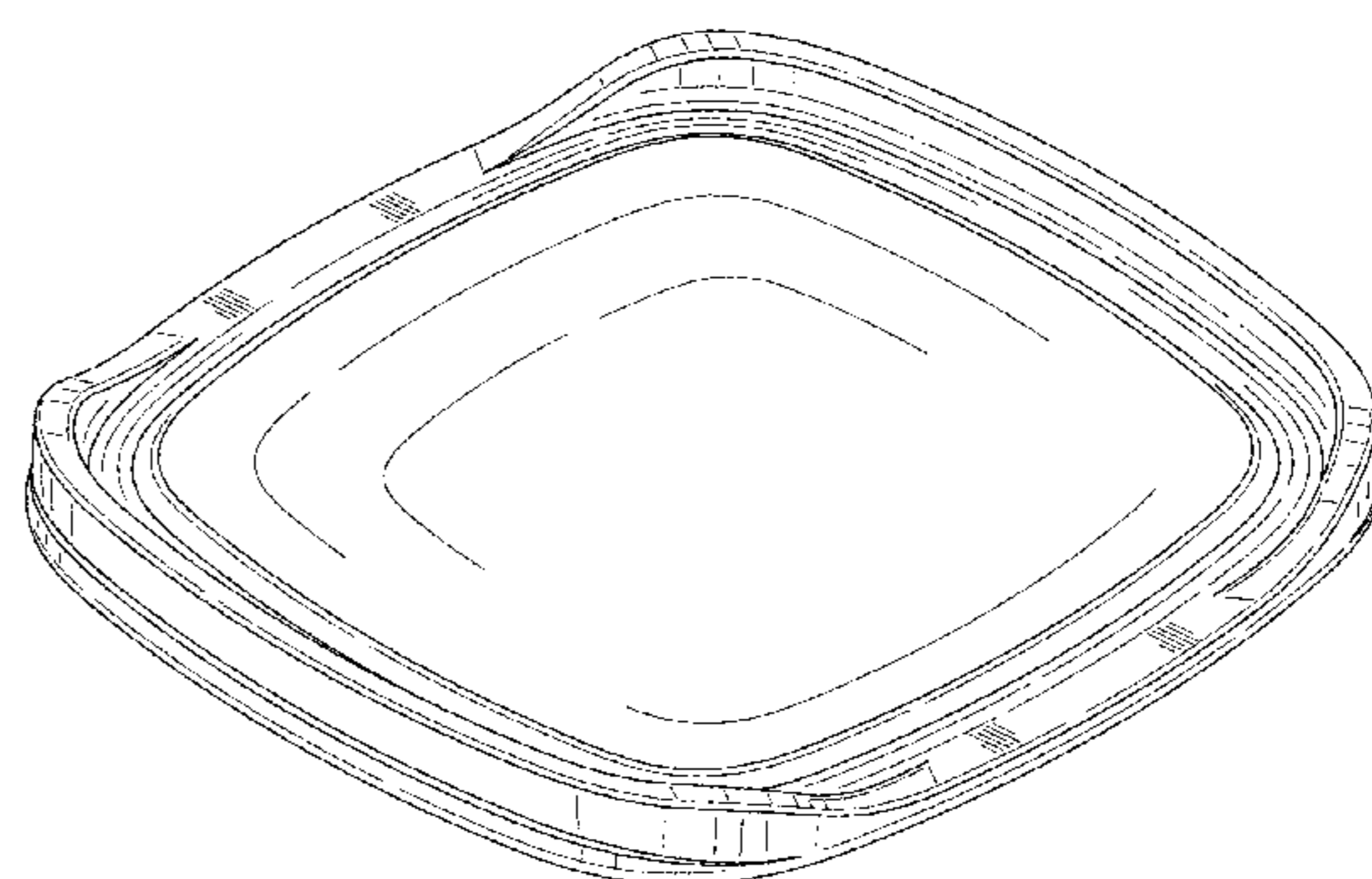
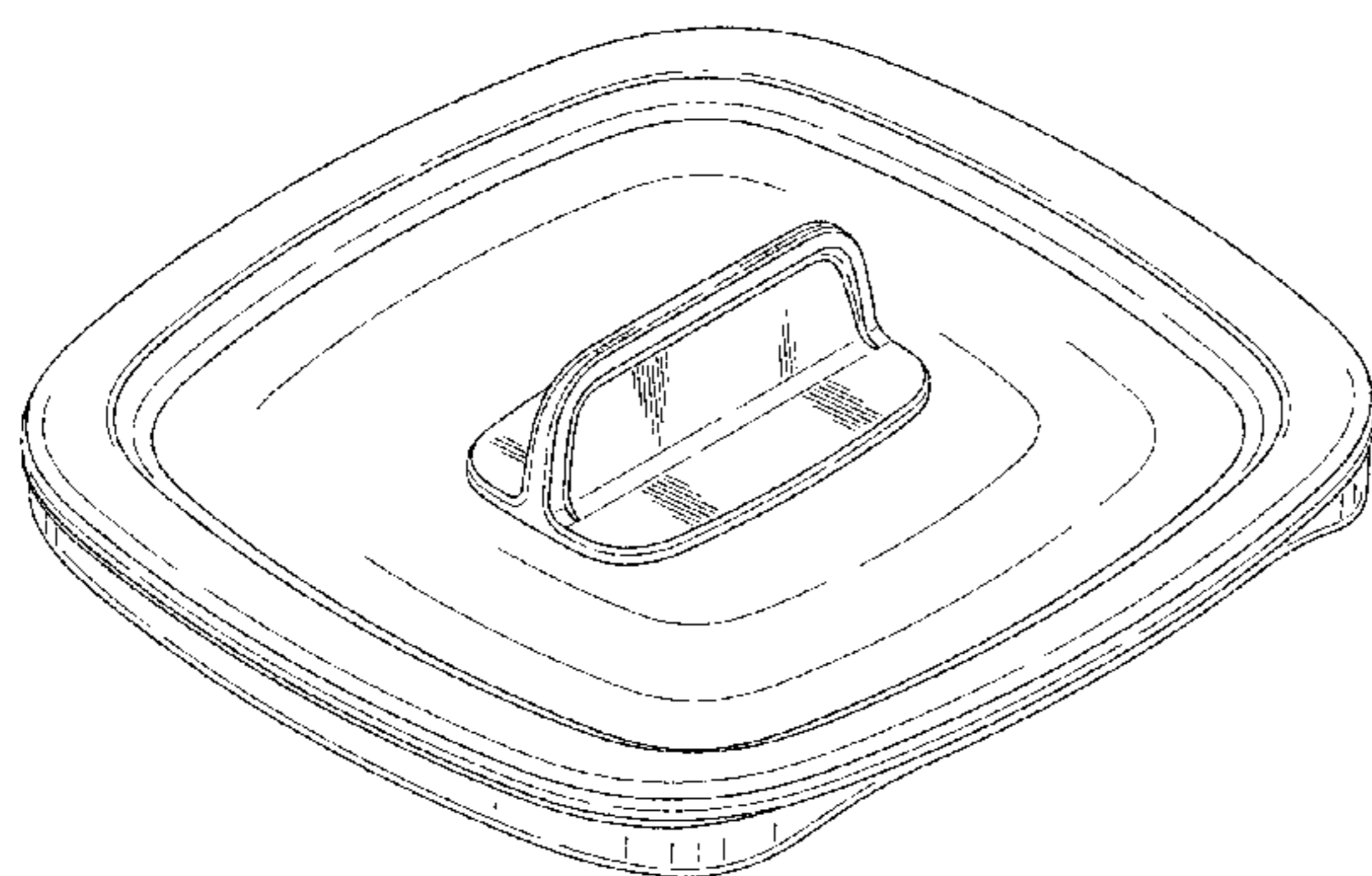


FIG. 1

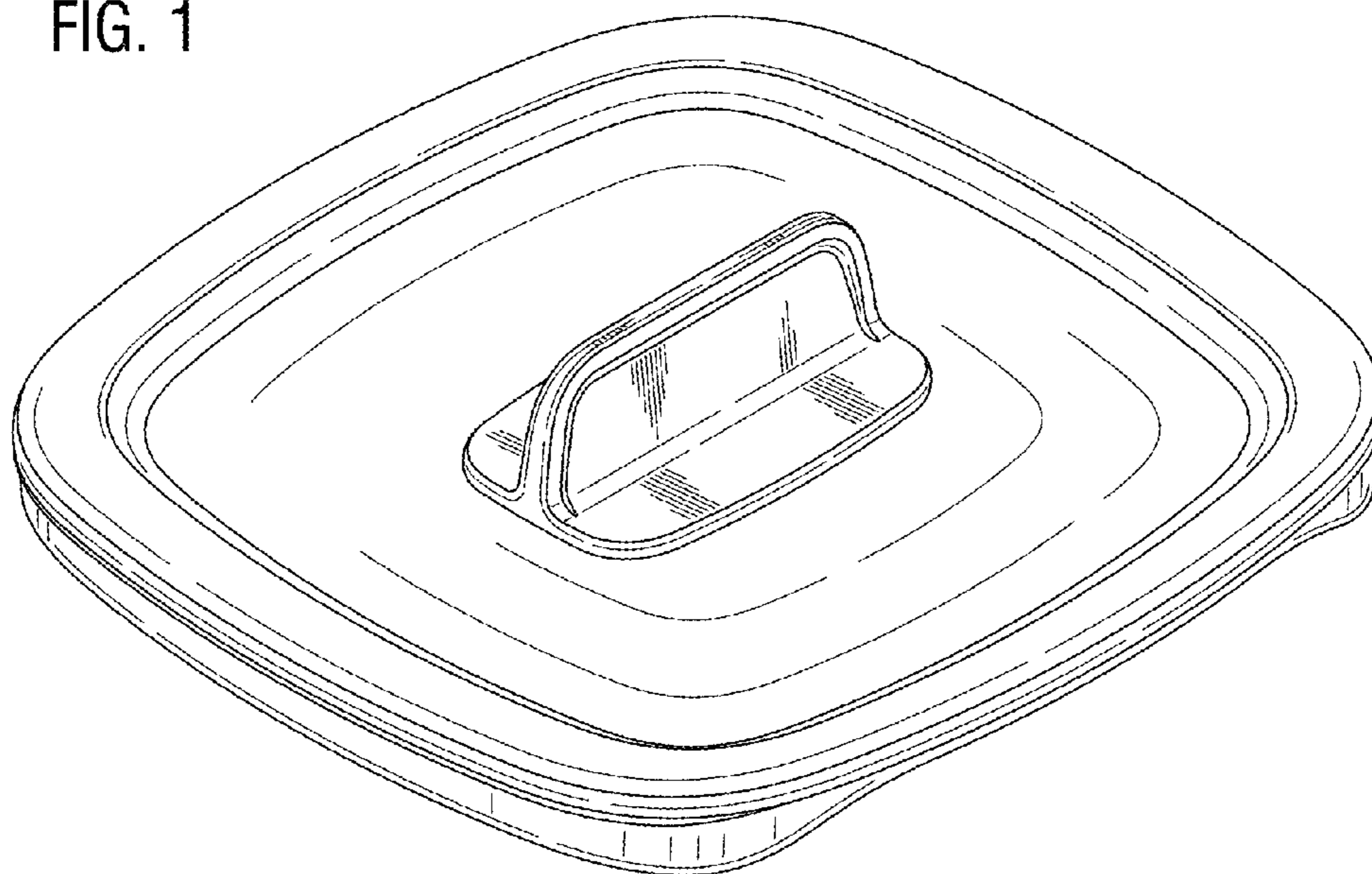


FIG. 2

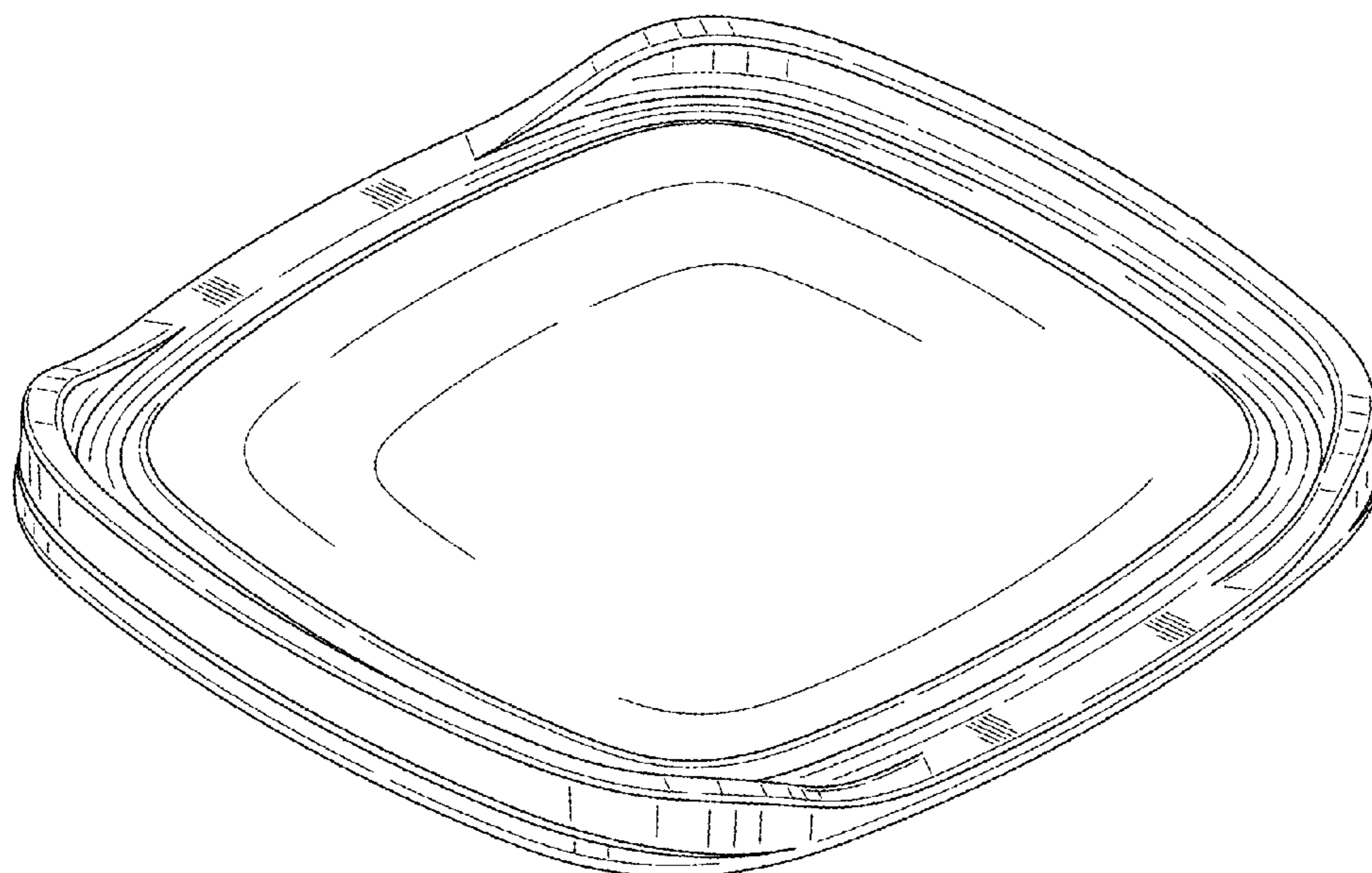


FIG. 3

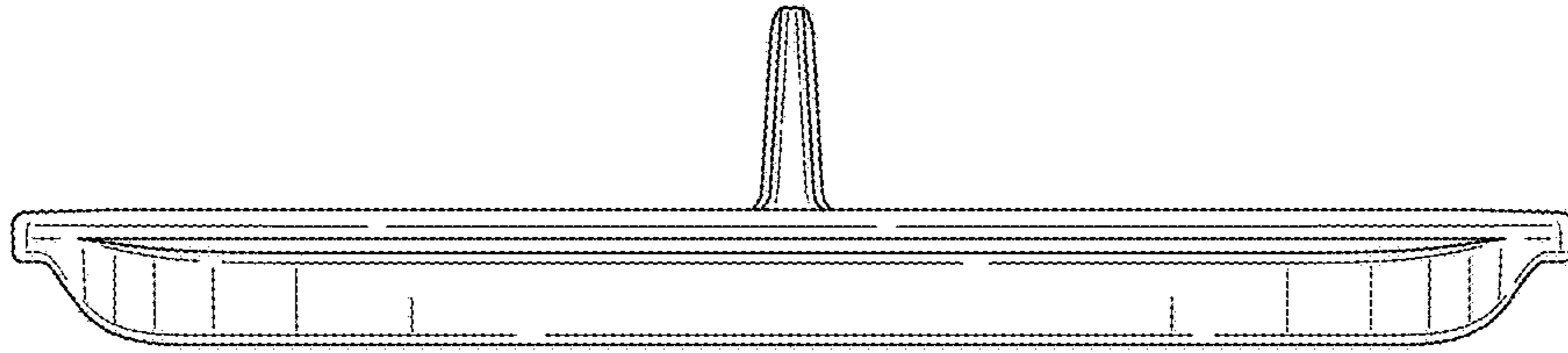


FIG. 5

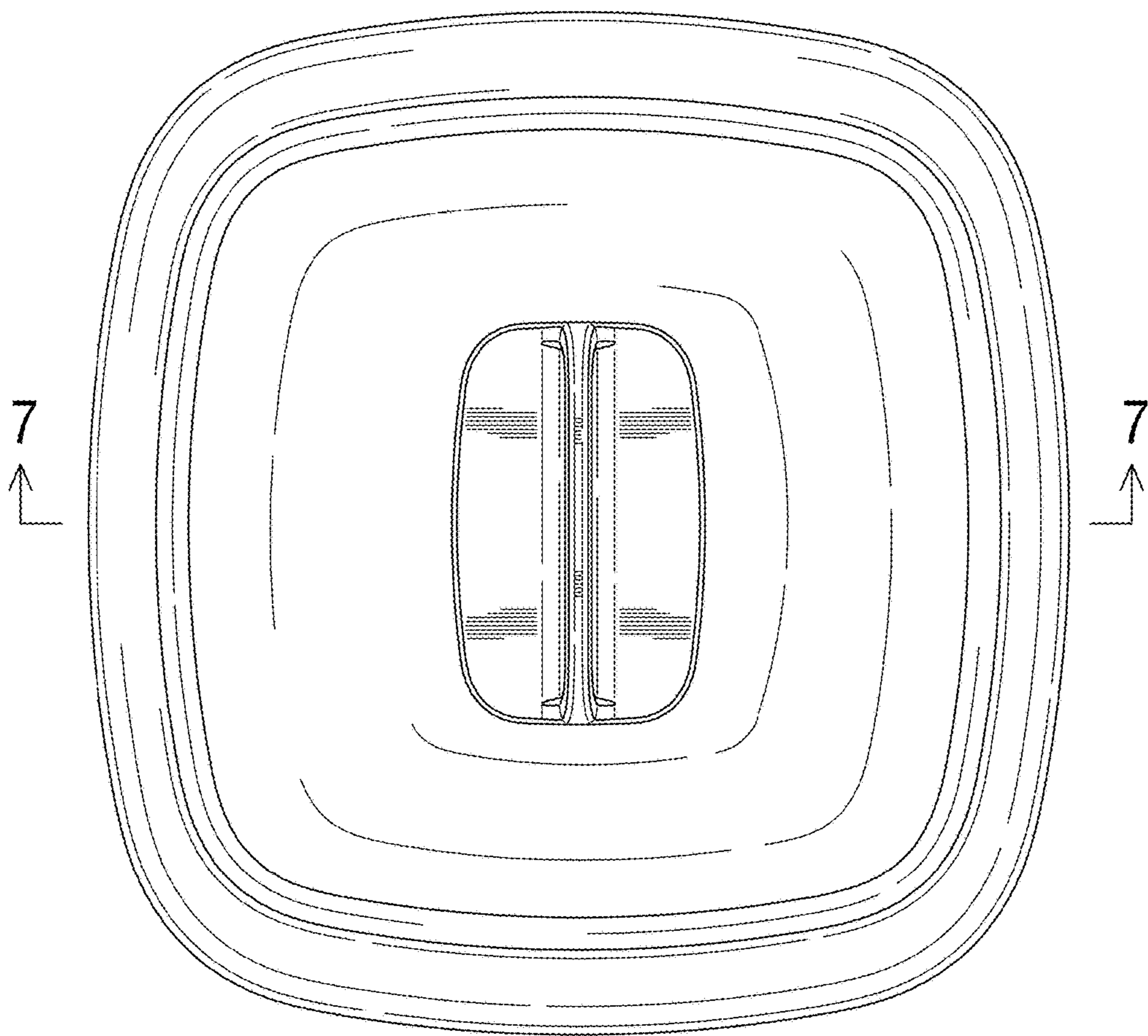


FIG. 4

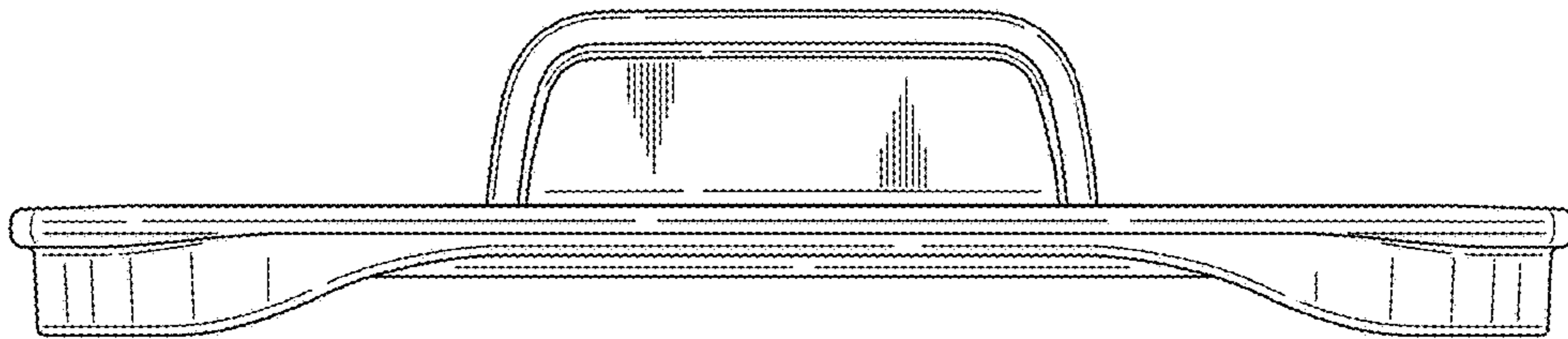


FIG. 6

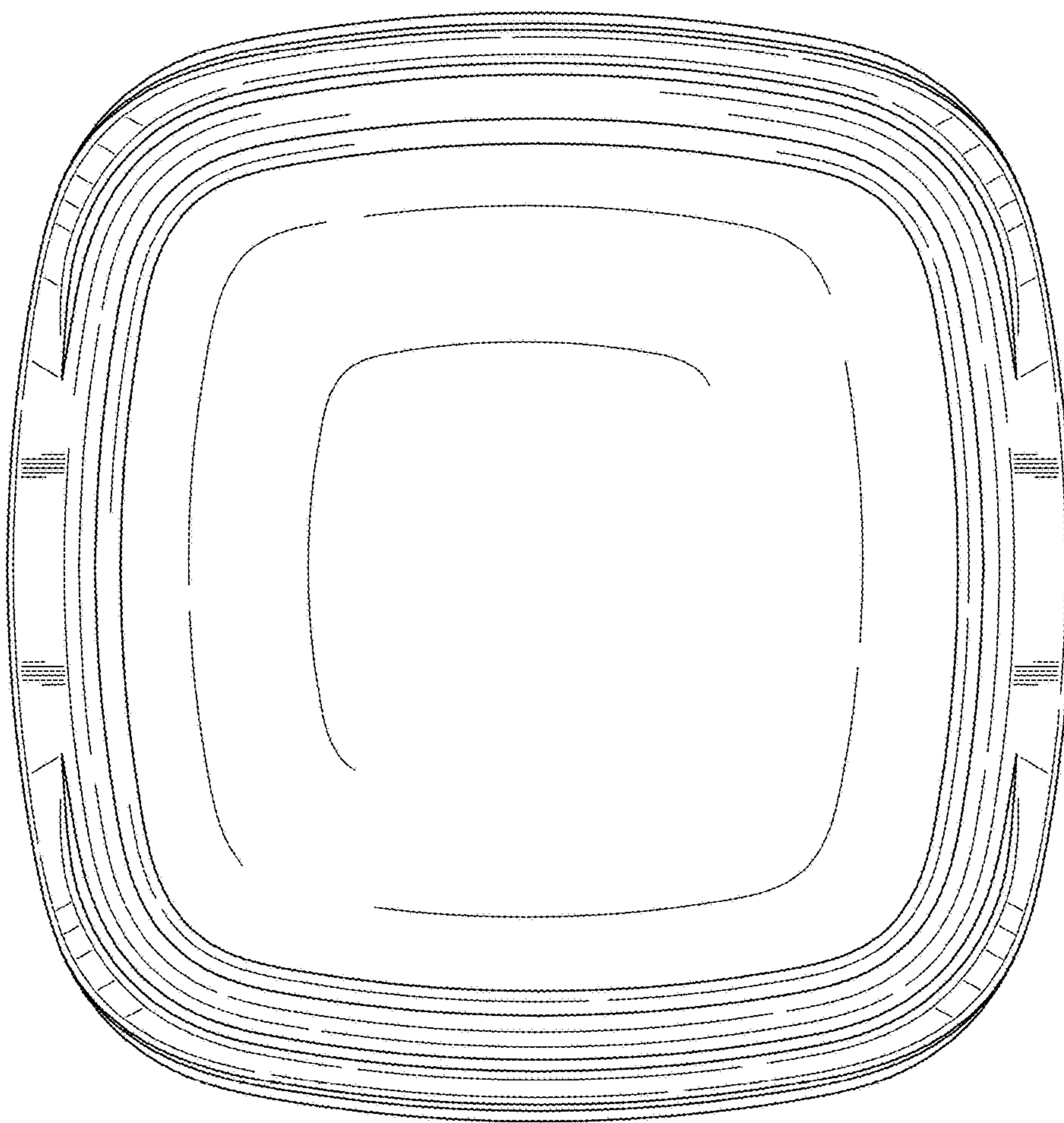


FIG. 7

