



US00D807111S

(12) **United States Design Patent** (10) **Patent No.:** **US D807,111 S**
Sorensen et al. (45) **Date of Patent:** **** Jan. 9, 2018**

(54) **LID**
(71) Applicant: **RUNWAY BLUE, LLC**, Lehi, UT (US)
(72) Inventors: **Kim L. Sorensen**, Alpine, UT (US);
David O. Meyers, East Layton, UT
(US); **Steven M. Sorensen**, Alpine, UT
(US)
(73) Assignee: **Runway Blue, LLC**, Alpine, UT (US)
(**) Term: **15 Years**
(21) Appl. No.: **29/552,967**
(22) Filed: **Jan. 27, 2016**
(51) **LOC (11) Cl.** **07-01**
(52) **U.S. Cl.**
USPC **D7/391**
(58) **Field of Classification Search**
USPC D7/300.2, 510, 359, 392.1, 507; D9/443,
D9/447, 449, 504, 780, 414, 424, 435,
D9/438, 451-452; D26/38
CPC A47J 43/1087; A47J 43/27
See application file for complete search history.

(56) **References Cited**

U.S. PATENT DOCUMENTS

D270,887 S * 10/1983 Allgeyer D7/359
D652,256 S * 1/2012 Eyal D7/510
D660,487 S * 5/2012 Wu D26/38
D700,014 S * 2/2014 Zeanah D7/510
D702,079 S * 4/2014 Hung D7/392.1
RE45,055 E * 8/2014 Roth D7/392.1
D719,445 S * 12/2014 Caneer D9/447
D742,174 S * 11/2015 Roth D7/300.2

(Continued)

OTHER PUBLICATIONS

<https://www.bisoncoolers.com/products/bison-bottle-18-oz-stainless-steel#shopify-product-reviews> Oct. 6, 2015.*

(Continued)

Primary Examiner — Susan Bennett Hattan
Assistant Examiner — Camelia H Styles
(74) *Attorney, Agent, or Firm* — Maschoff Brennan

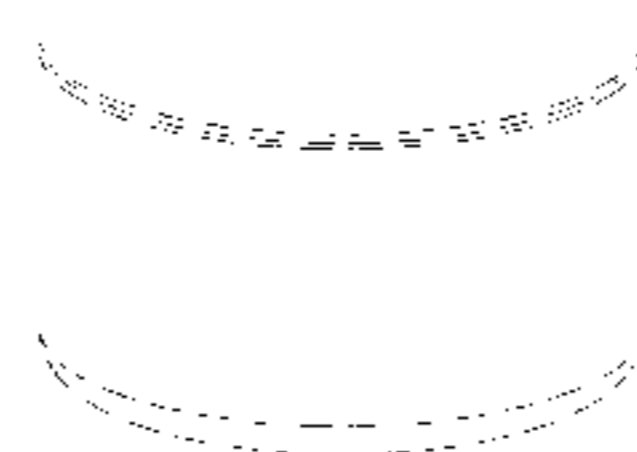
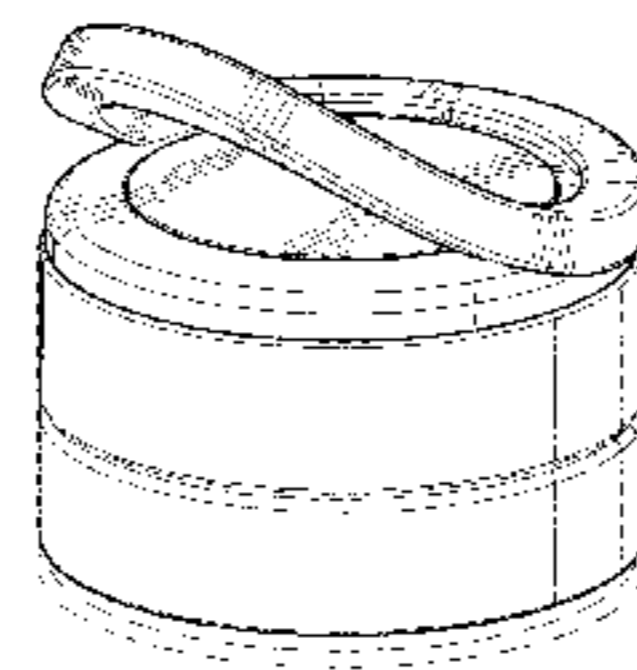
(57) **CLAIM**

The ornamental design for a lid, as shown and described.

DESCRIPTION

FIG. 1 is an upper perspective view of an exemplary embodiment of a lid, illustrating the lid attached to an exemplary container;
FIG. 2 is an enlarged front upper perspective view of the lid shown in FIG. 1;
FIG. 3 is a rear upper perspective view of the lid shown in FIG. 1;
FIG. 4 is a front view of the lid shown in FIG. 1;
FIG. 5 is a rear view of the lid shown in FIG. 1;
FIG. 6 is a left side view of the lid shown in FIG. 1;
FIG. 7 is a right side view of the lid shown in FIG. 1;
FIG. 8 is a top view of the lid shown in FIG. 1;
FIG. 9 is a bottom view of the lid shown in FIG. 1;
FIG. 10 is an upper perspective view of another exemplary embodiment of a lid, illustrating the lid attached to an exemplary container;
FIG. 11 is an enlarged front upper perspective view of the lid shown in FIG. 10;
FIG. 12 is a rear upper perspective view of the lid shown in FIG. 10;
FIG. 13 is a front view of the lid shown in FIG. 10;
FIG. 14 is a rear view of the lid shown in FIG. 10;
FIG. 15 is a left side view of the lid shown in FIG. 10;
FIG. 16 is a right side view of the lid shown in FIG. 10;
FIG. 17 is a top view of the lid shown in FIG. 10; and,
FIG. 18 is a bottom view of the lid shown in FIG. 10.
The broken lines shown in the figures depict portions of the lid that form no part of the claimed design.

1 Claim, 18 Drawing Sheets



(56)

References Cited

U.S. PATENT DOCUMENTS

D745,827 S * 12/2015 Sorensen D7/392.1
D747,651 S * 1/2016 Hawry D9/449
9,392,893 B2 * 7/2016 Sorensen
D763,688 S * 8/2016 Breit D9/443
D767,336 S * 9/2016 Waggoner D7/507
D768,491 S * 10/2016 Sorensen D7/392.1
D776,483 S * 1/2017 Chitayat D7/507
D777,508 S * 1/2017 Goodwin D7/392.1
D781,640 S * 3/2017 Roth D7/300.2
2015/0173539 A1 * 6/2015 Mason A47G 19/2272
220/707

OTHER PUBLICATIONS

U.S. Appl. No. 29/552,969, filed Jan. 27, 2016, Sorensen, et al.
U.S. Appl. No. 62/287,699, filed Jan. 27, 2016, Sorensen, et al.
Examiner's Report from Canadian Patent Application No. 169415,
dated Nov. 7, 2016.

* cited by examiner

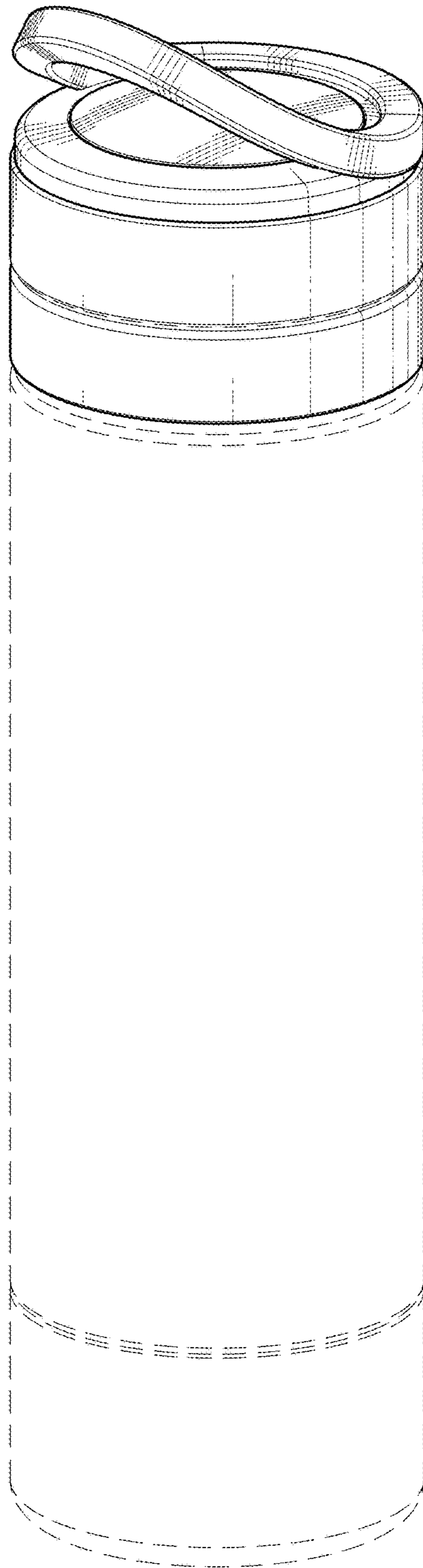


FIG. 1

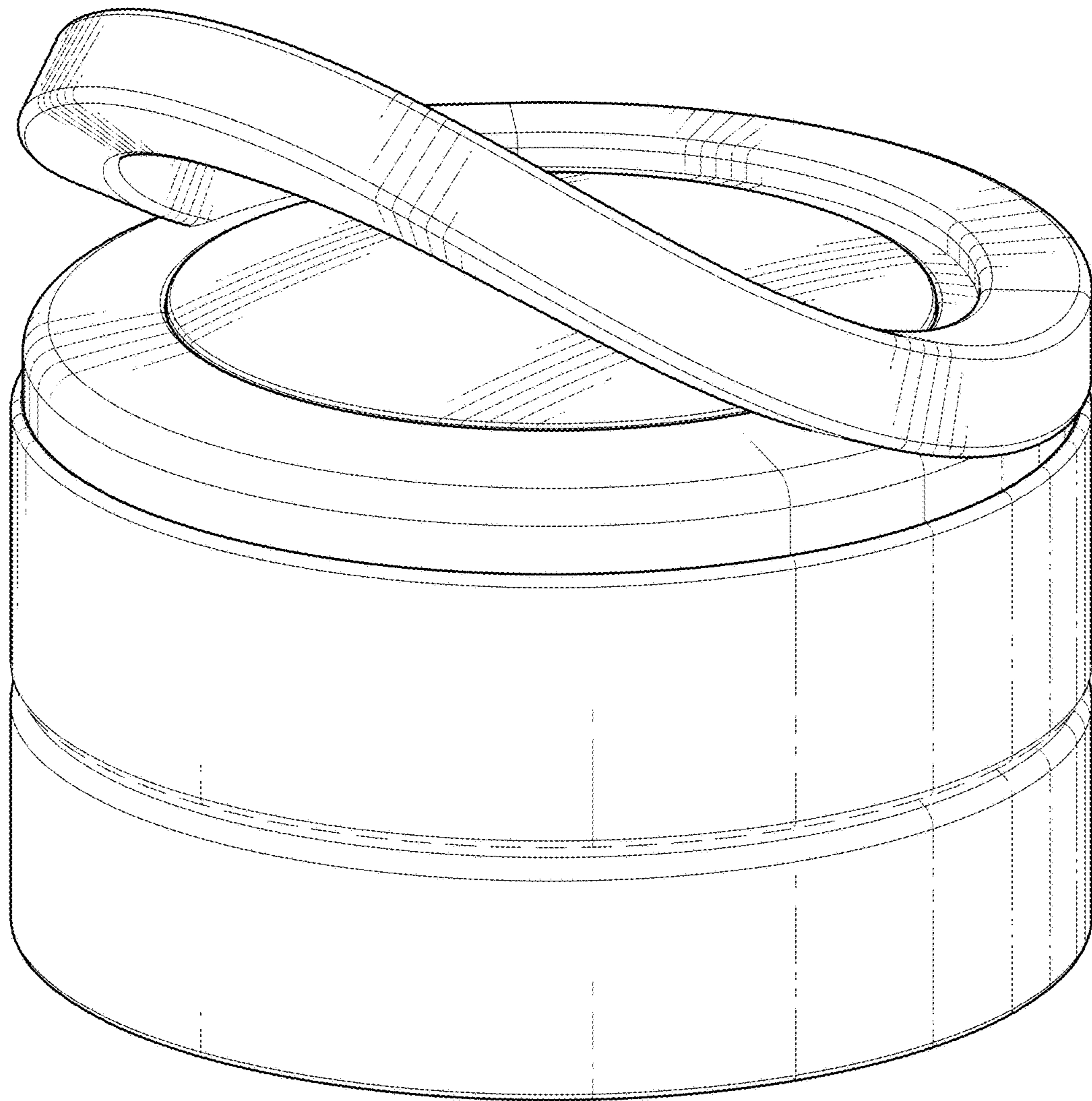


FIG. 2

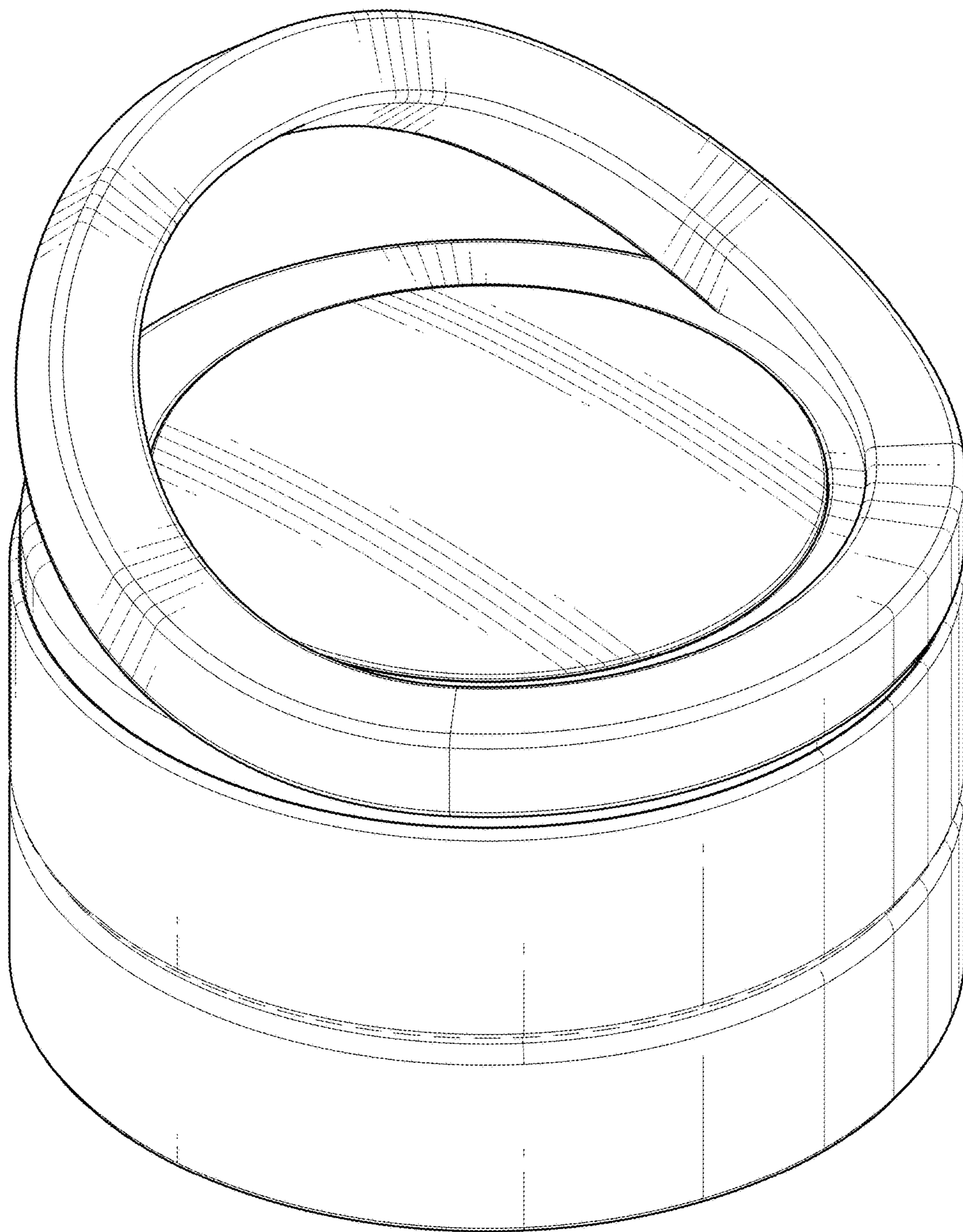


FIG. 3

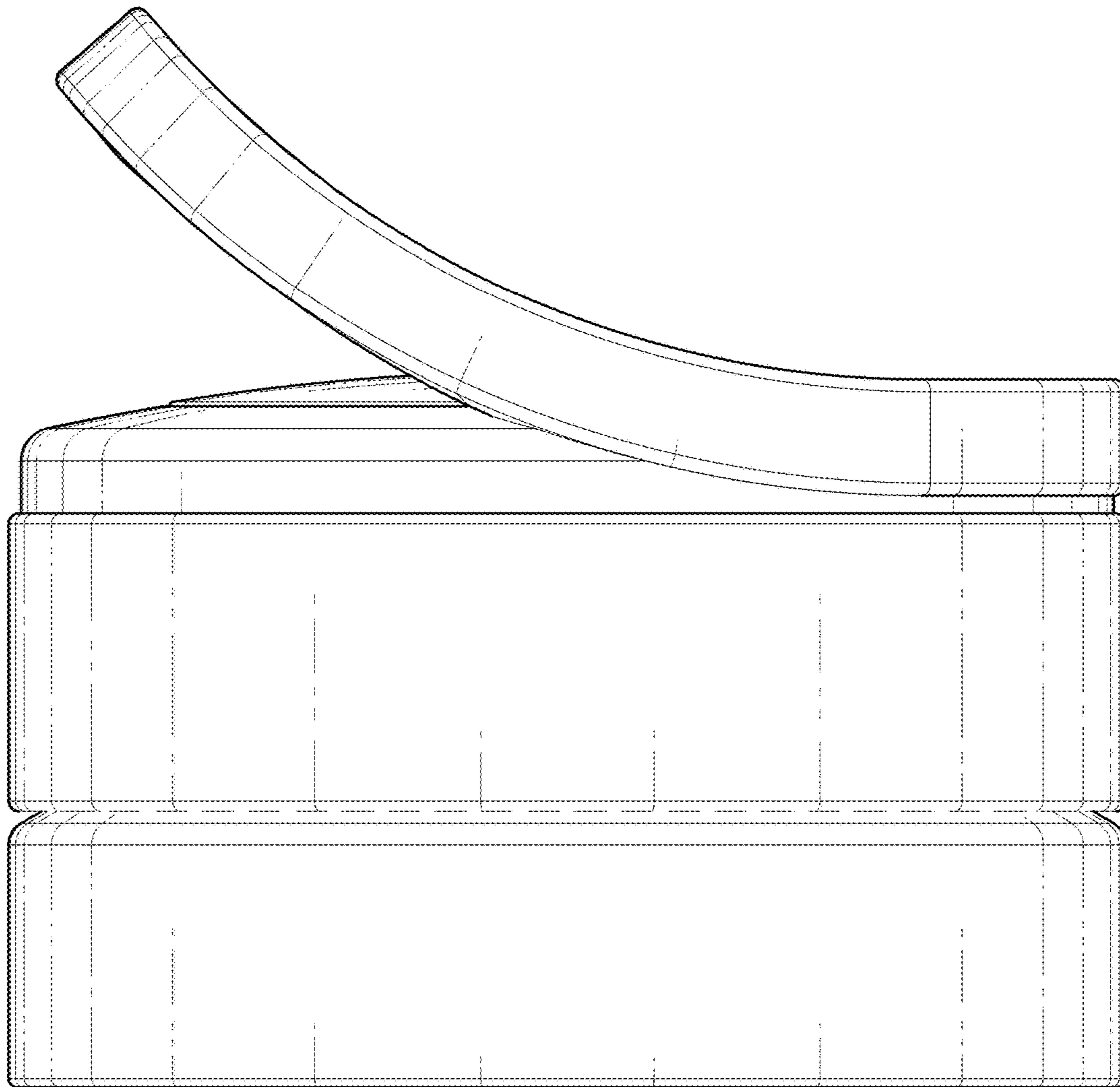


FIG. 4

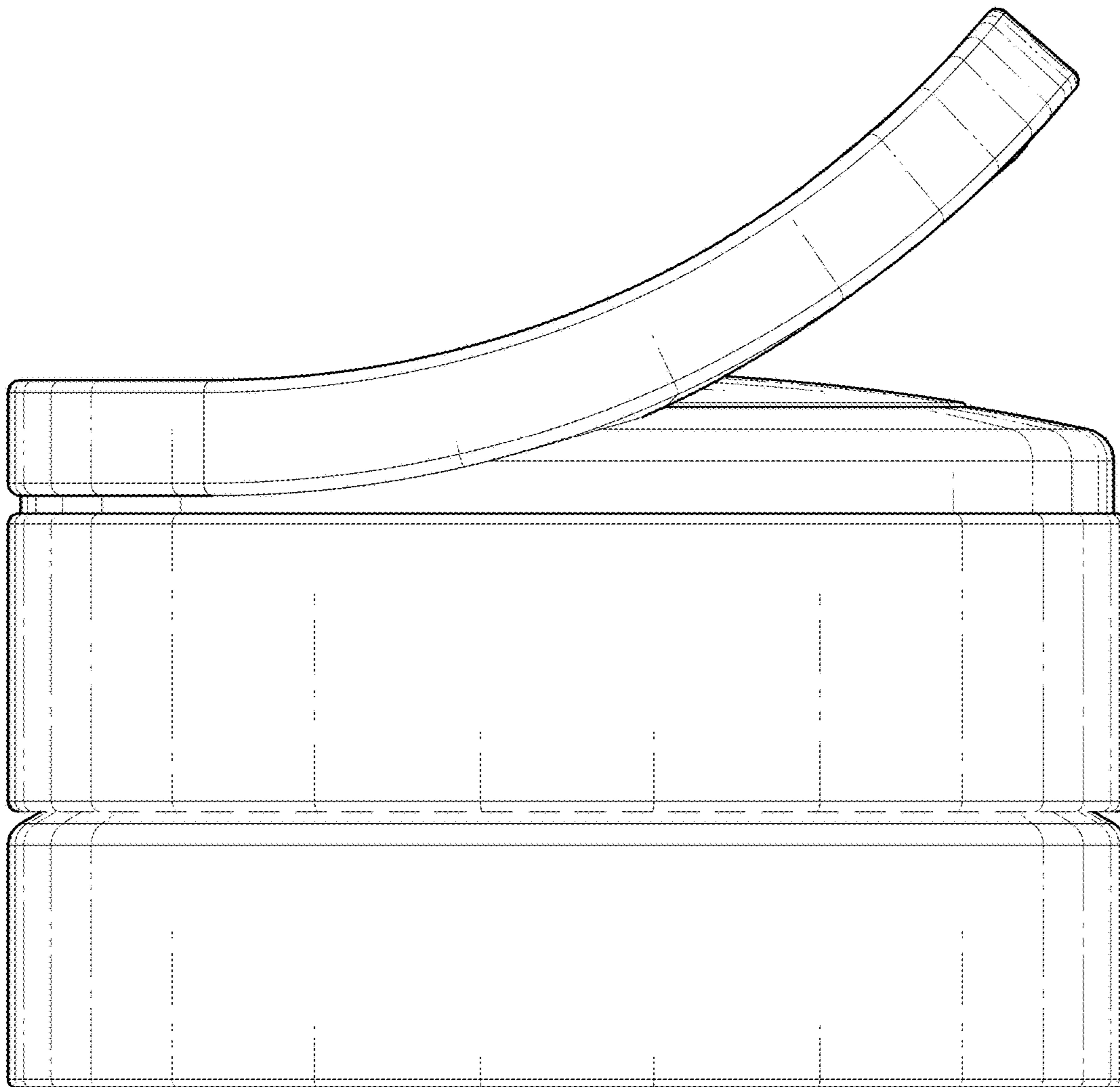


FIG. 5

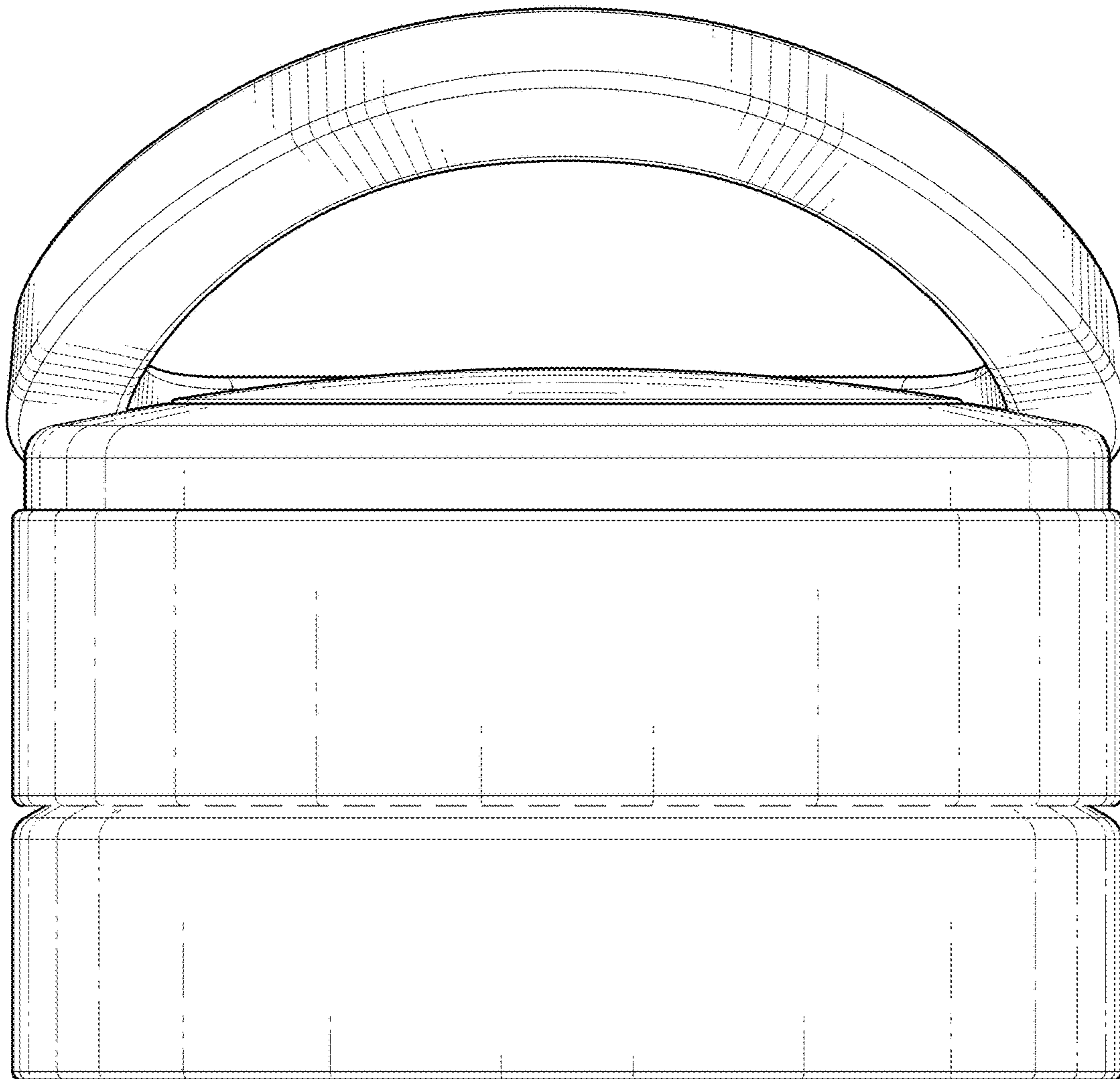


FIG. 6

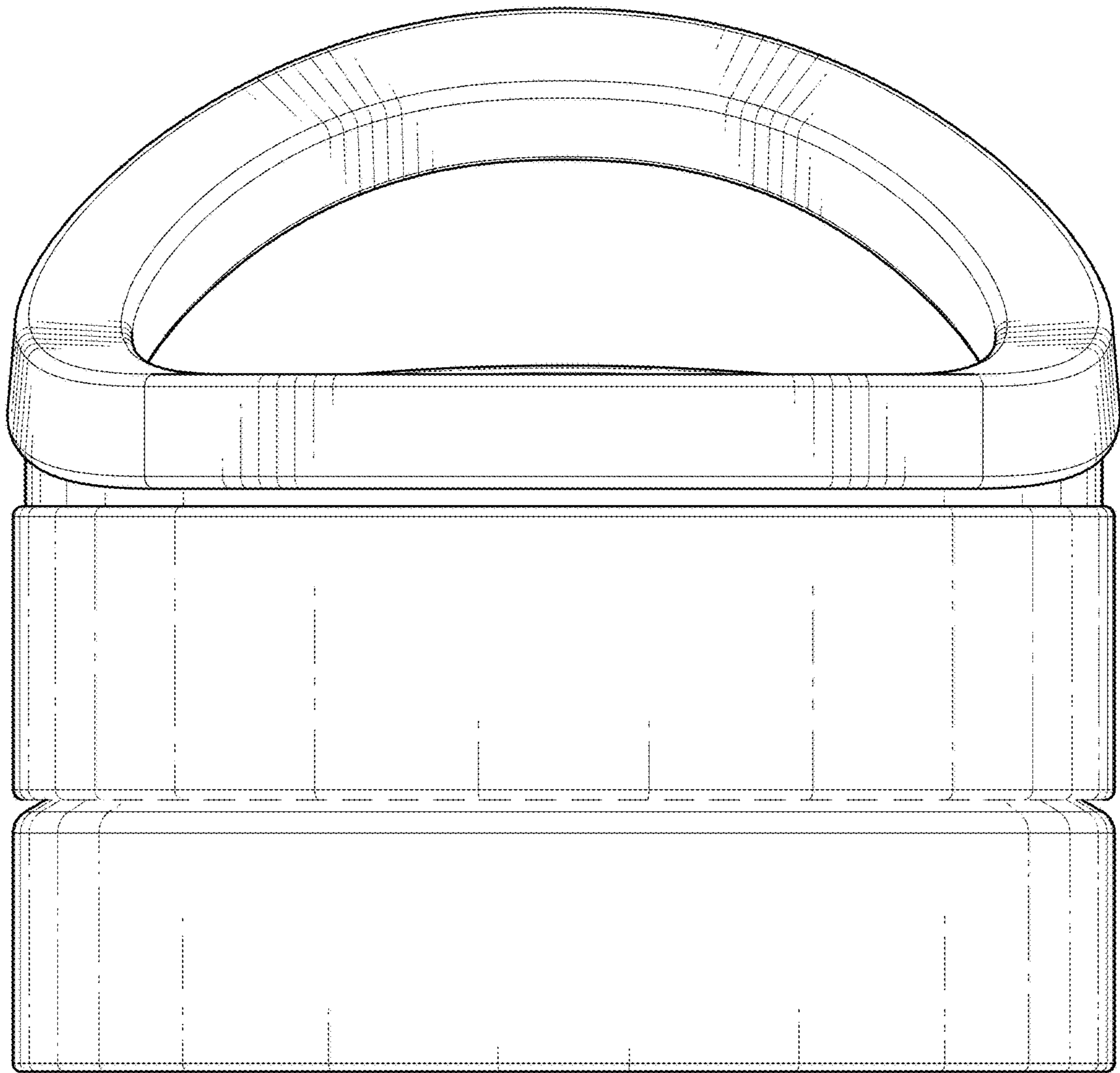


FIG. 7

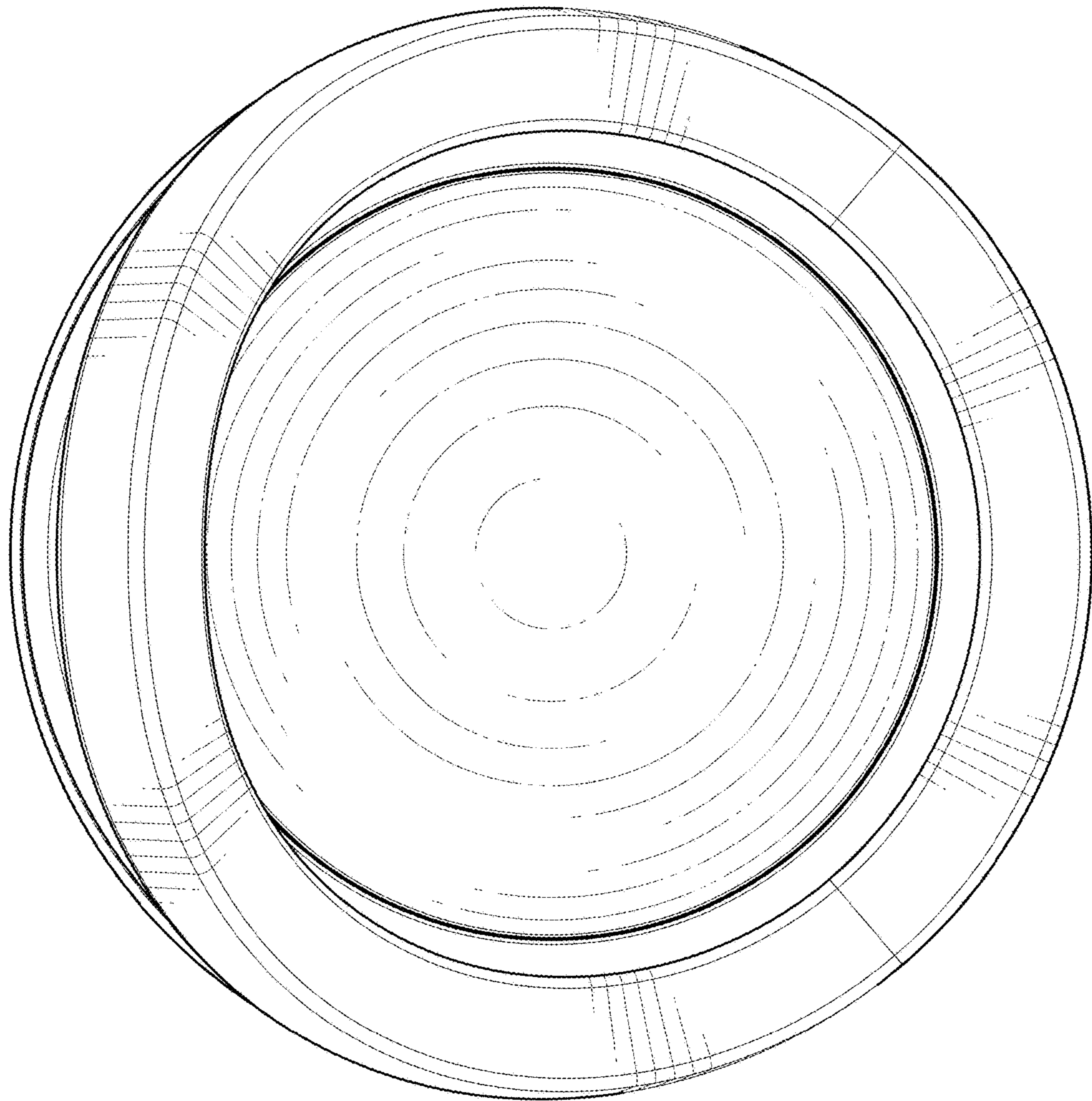


FIG. 8

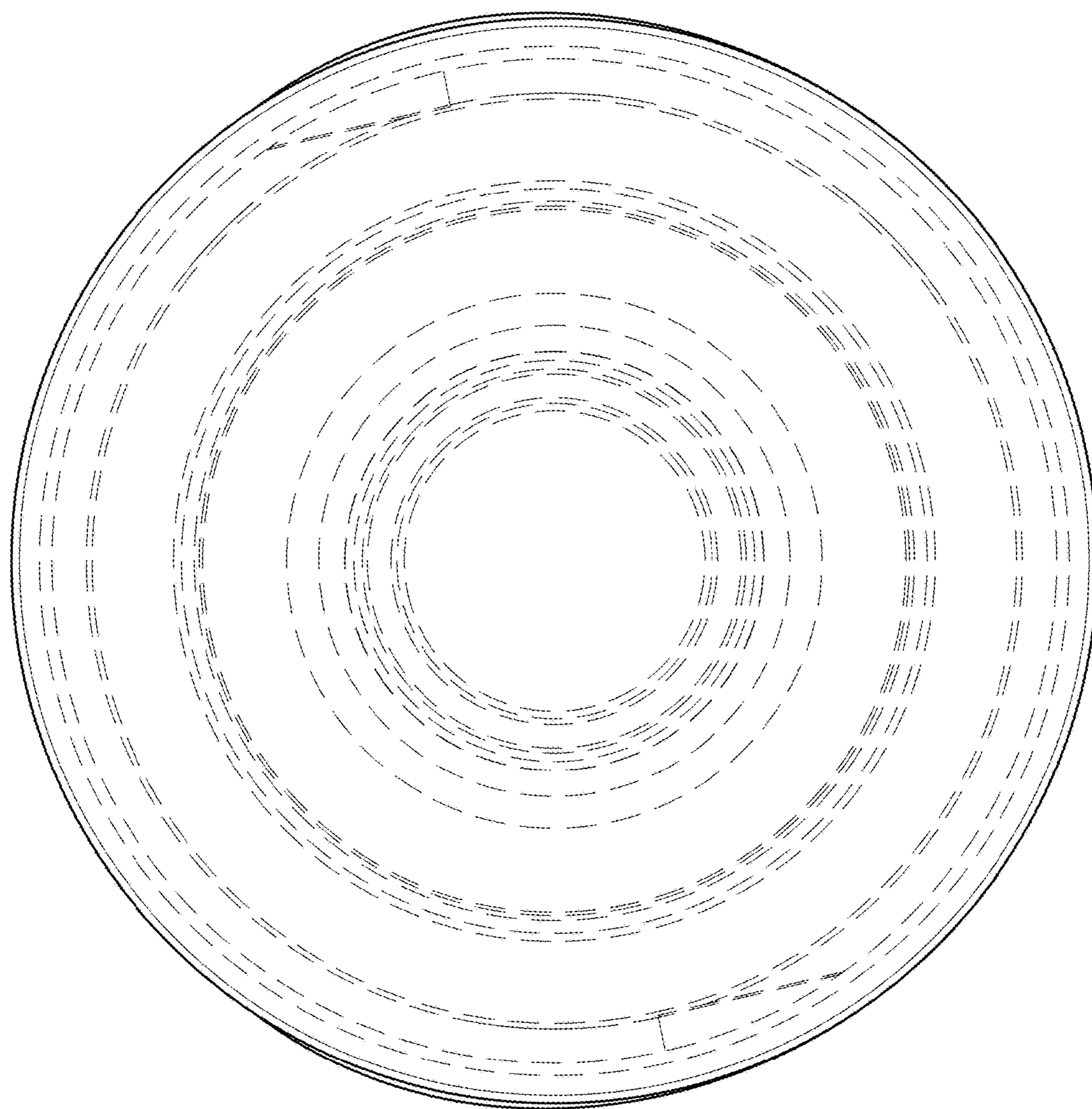


FIG. 9

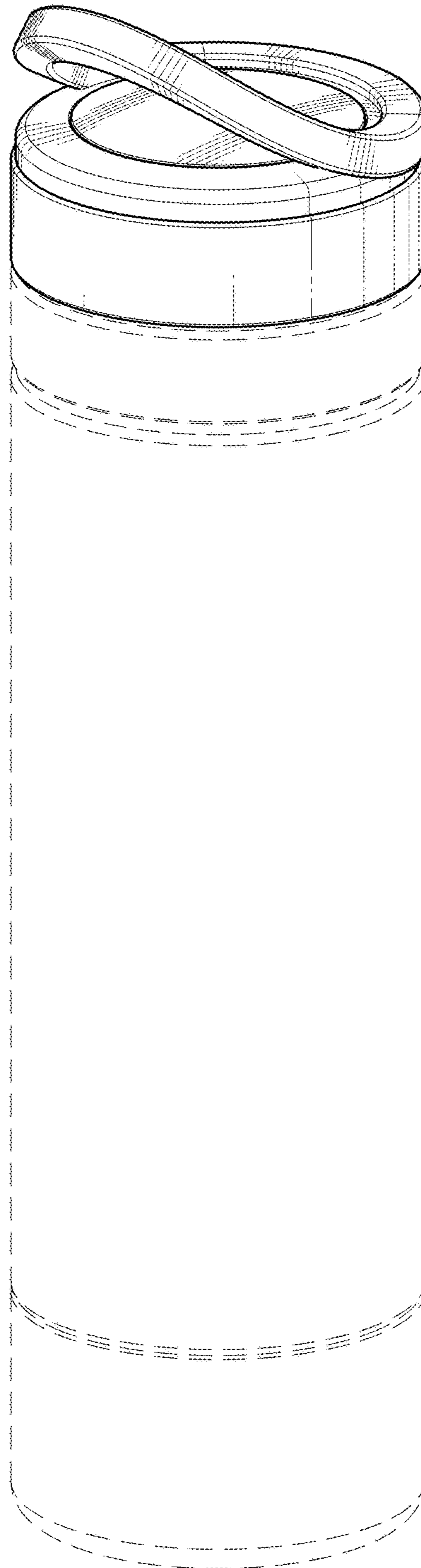


FIG. 10

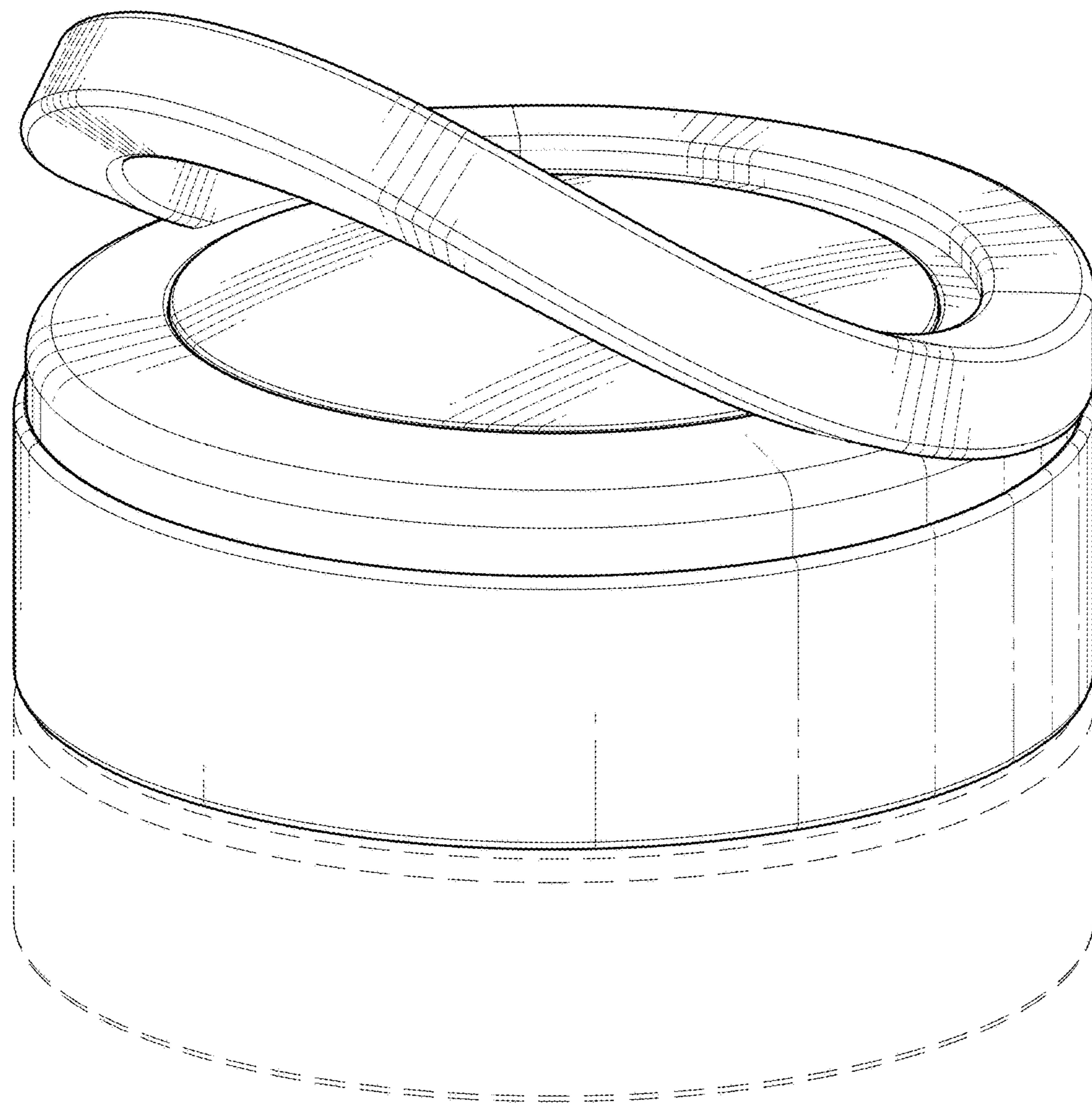


FIG. 11

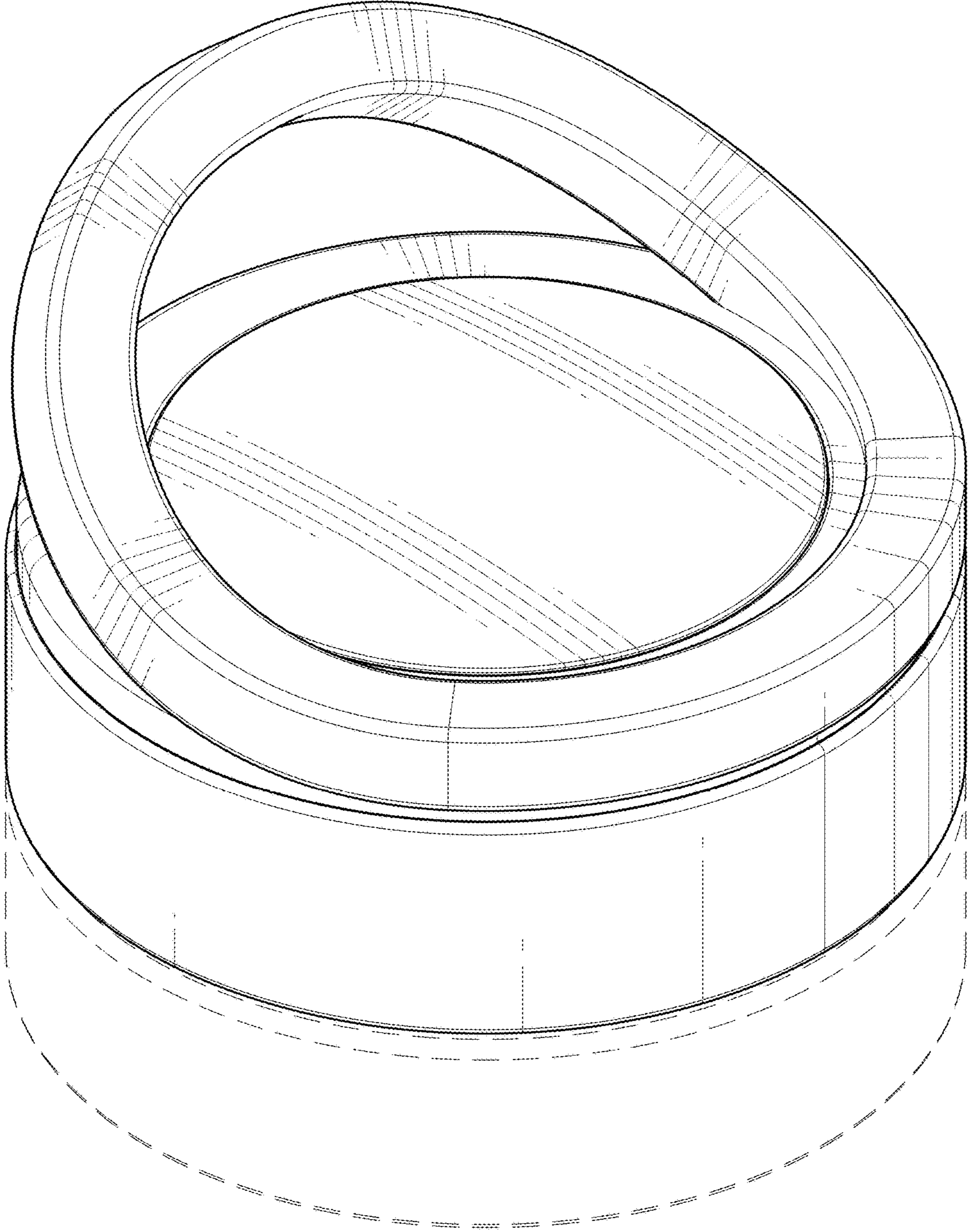


FIG. 12

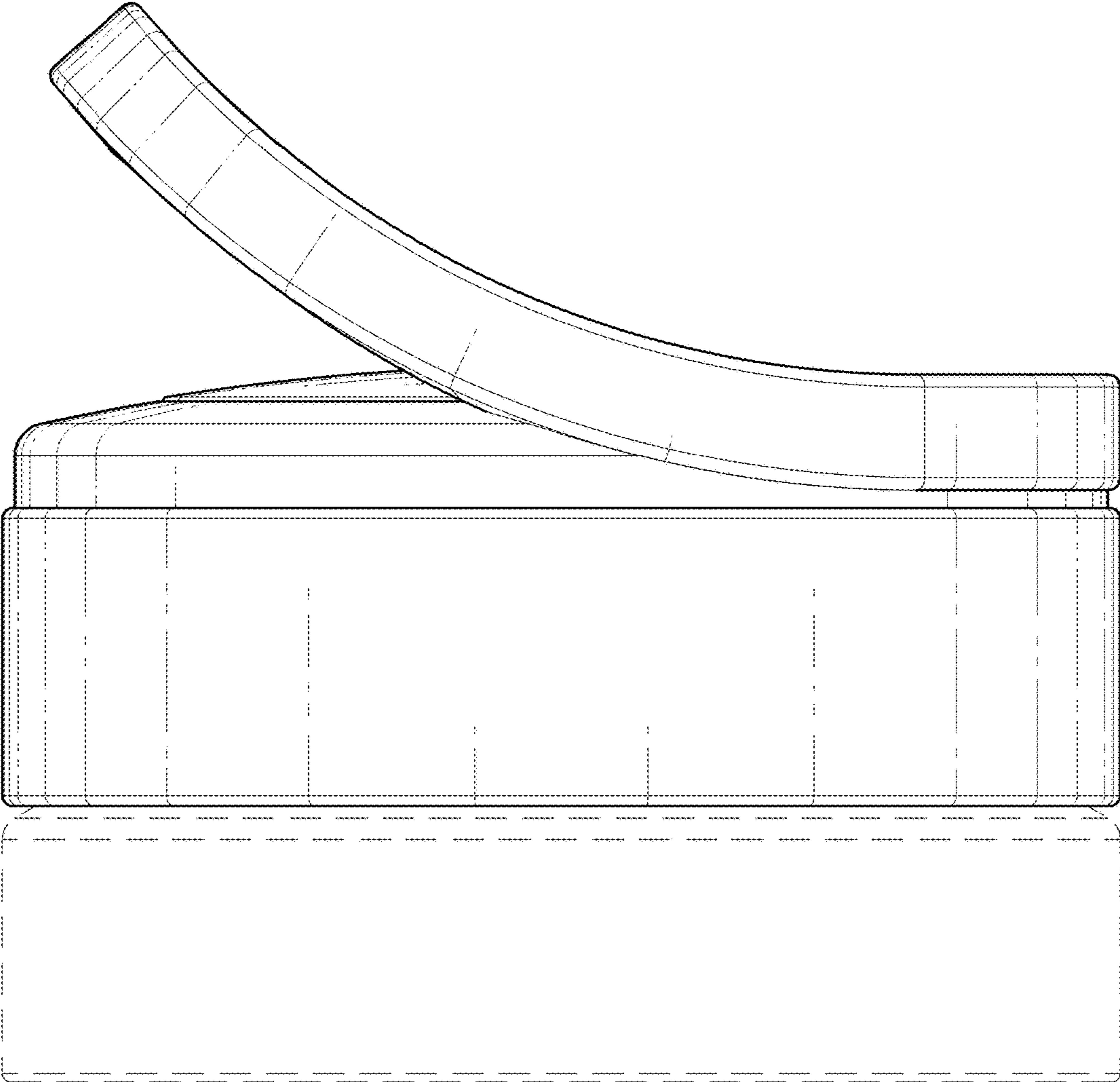


FIG. 13

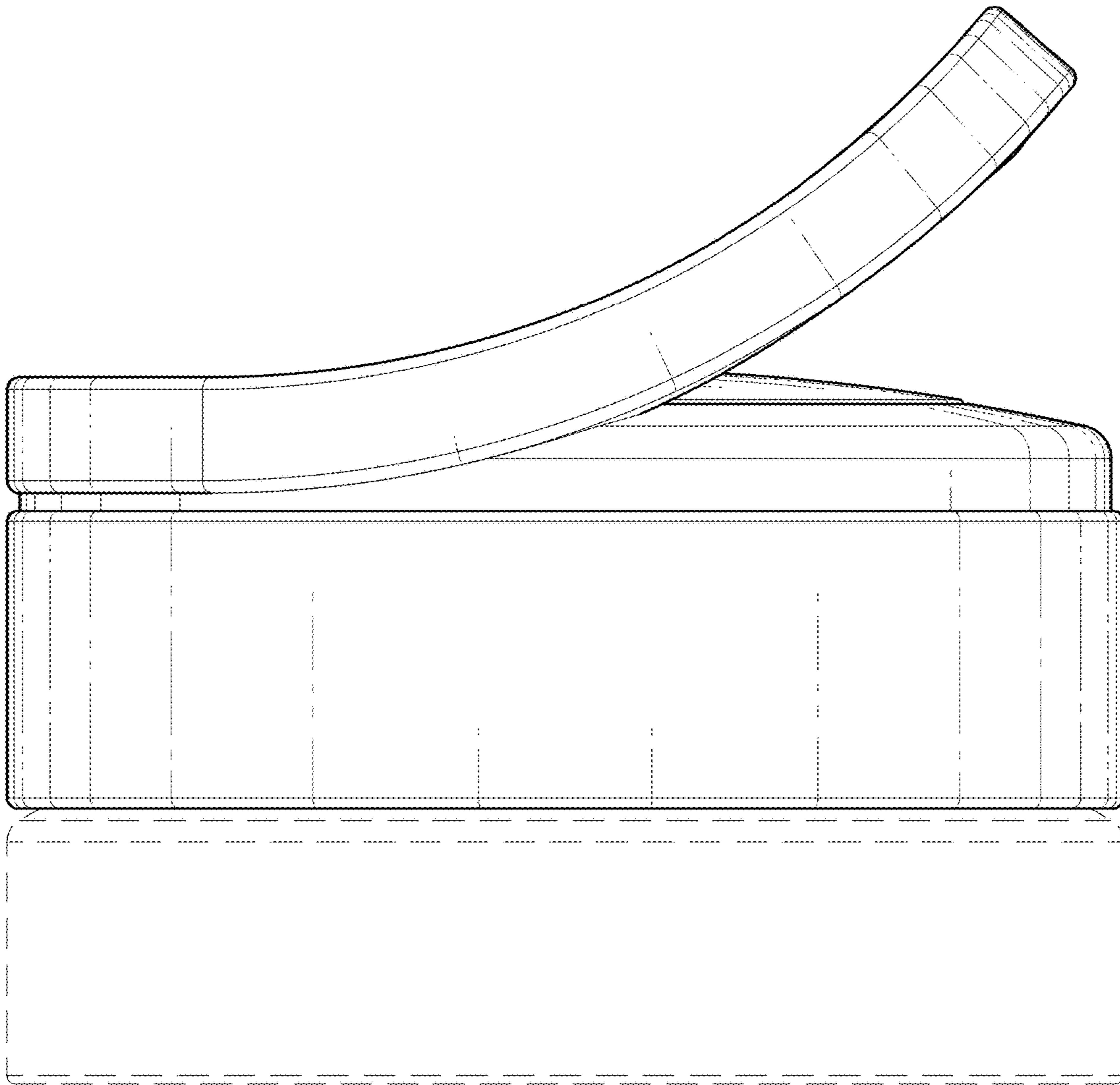


FIG. 14

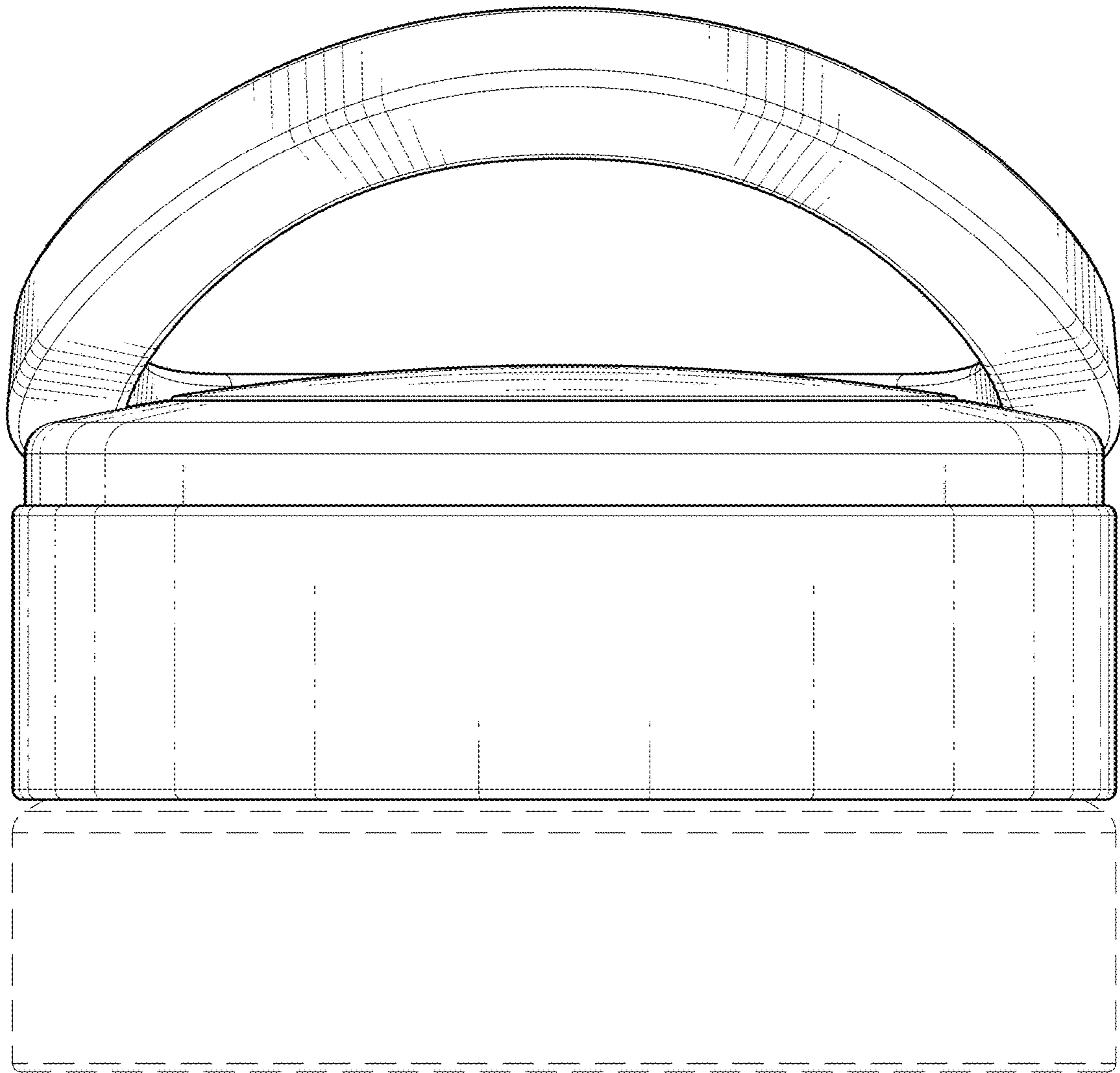


FIG. 15

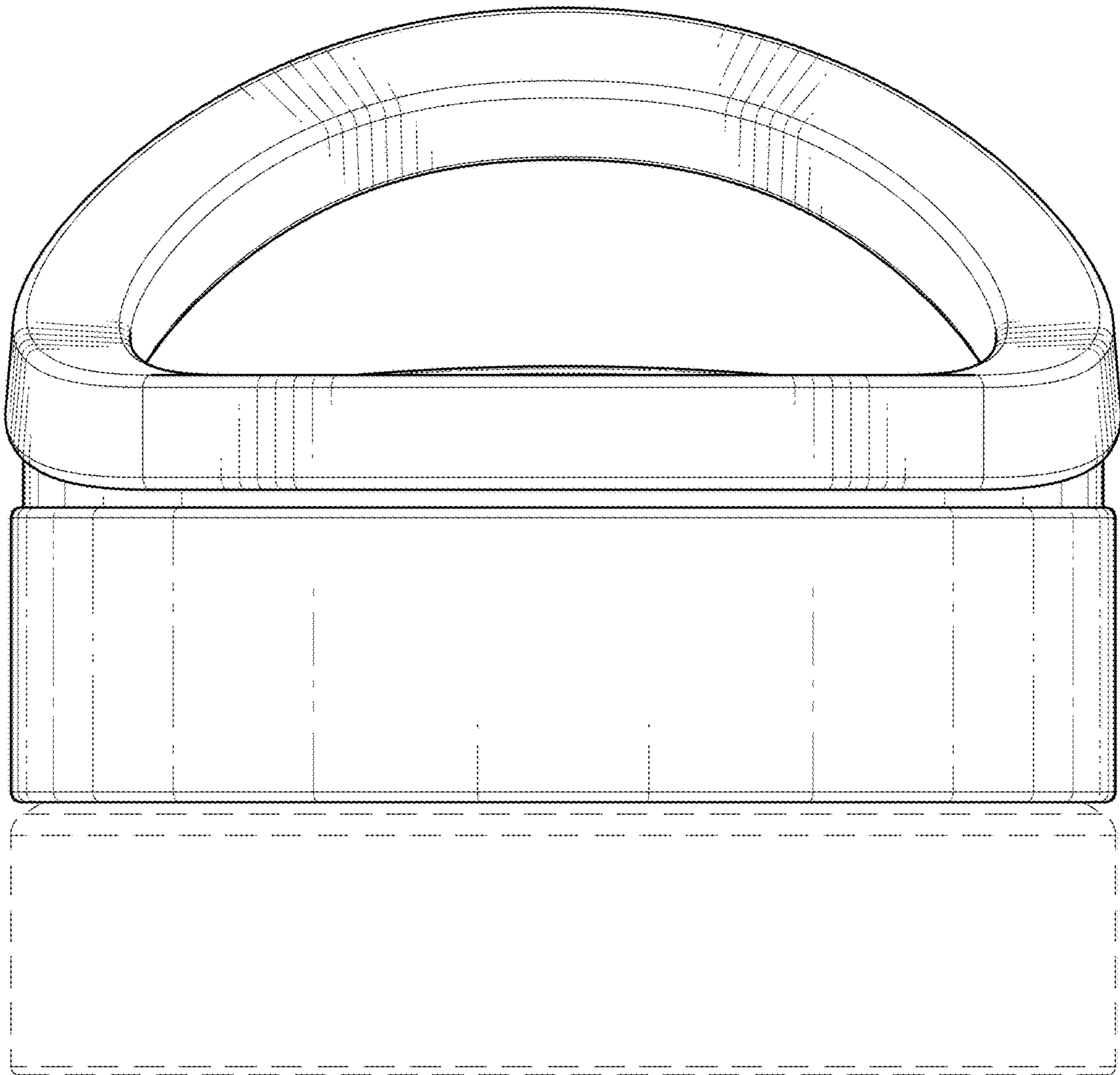


FIG. 16

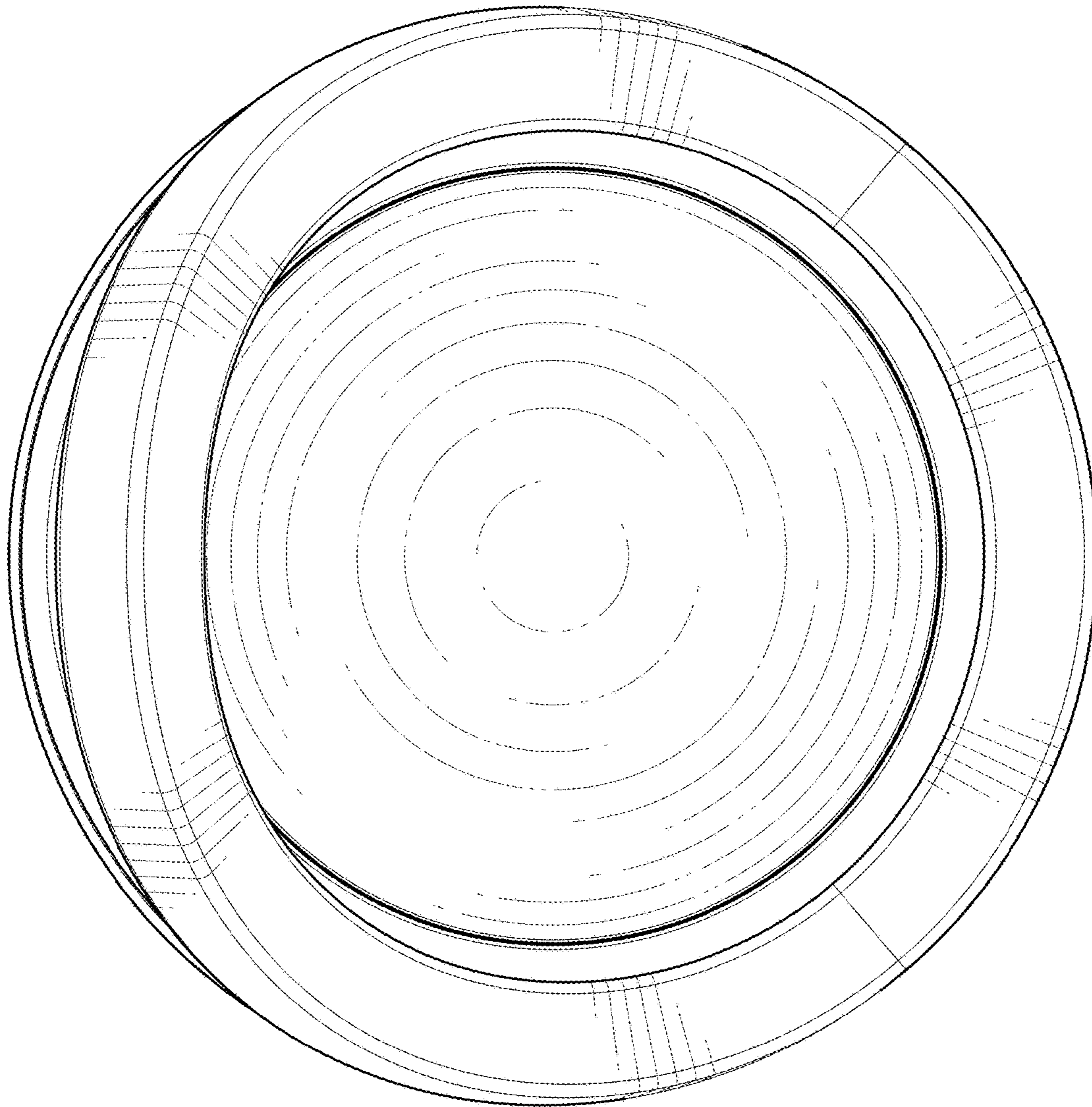


FIG. 17

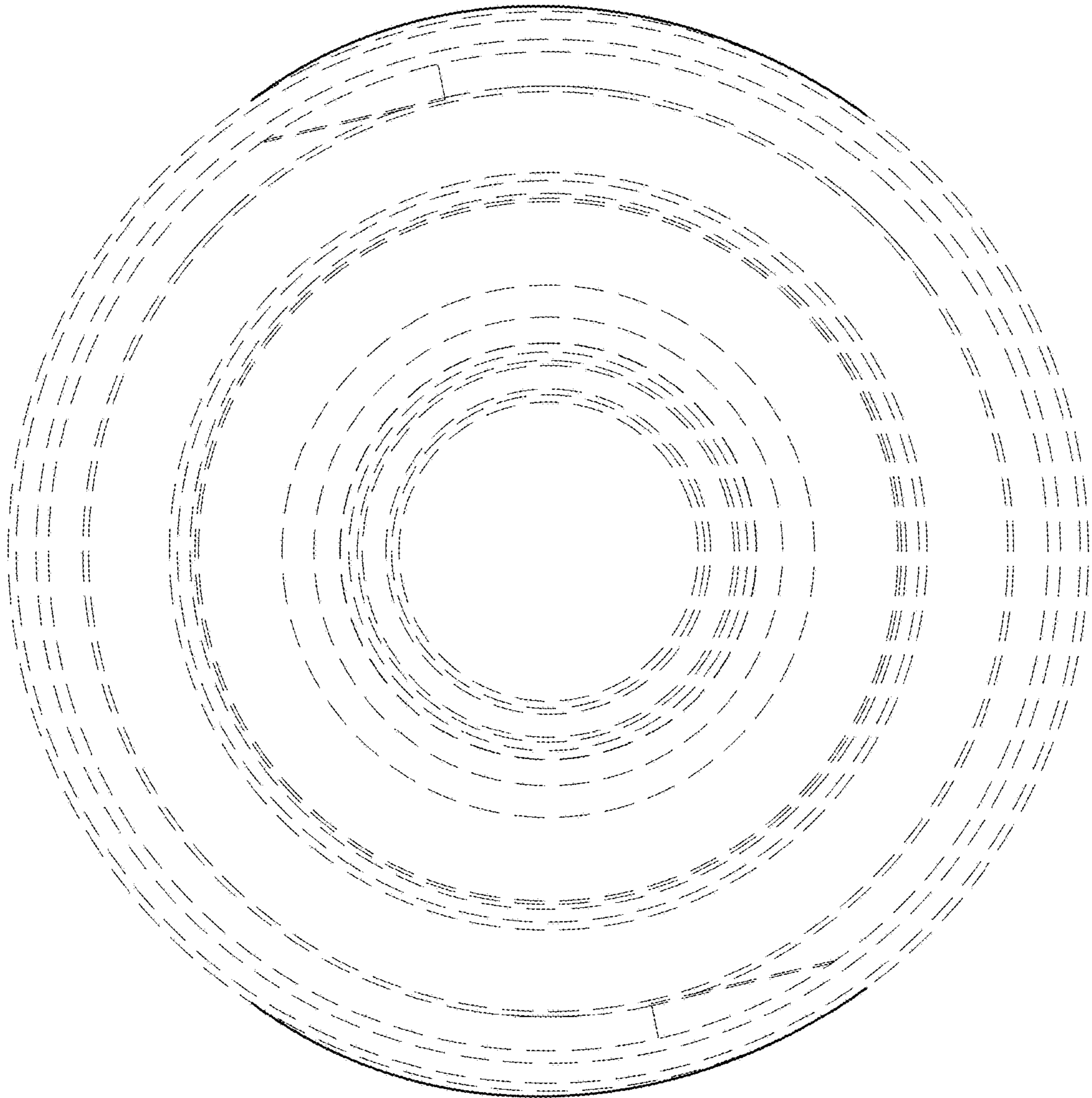


FIG. 18