

US00D807110S

(12) **United States Design Patent** (10) **Patent No.:** **US D807,110 S**
Lown (45) **Date of Patent:** **** Jan. 9, 2018**

(54) **BOTTLE**
(71) Applicant: **Takeya USA Corporation**, Huntington Beach, CA (US)
(72) Inventor: **John M. Lown**, Huntington Beach, CA (US)
(73) Assignee: **Takeya USA Corporation**, Huntington Beach, CA (US)

D657,994 S * 4/2012 Wahl D7/392
D660,648 S * 5/2012 Gilbert D7/510
D661,582 S 6/2012 Gatrost et al.
D680,805 S 4/2013 Rosbach
(Continued)

(**) Term: **15 Years**

(21) Appl. No.: **29/546,701**

(22) Filed: **Nov. 24, 2015**

(51) **LOC (11) Cl.** **07-02**

(52) **U.S. Cl.**
USPC **D7/391**

(58) **Field of Classification Search**
USPC D7/391, 392, 392.1, 393, 397, 510–511, D7/536, 629; D9/414, 424–432, 435, D9/446, 451–452
CPC A47G 19/2266; A47J 36/027; A47J 36/06; A47J 37/10; A47J 37/101; B65D 21/0209; B65D 43/00; B65D 43/02; B65D 43/022; B65D 43/161; B65D 43/162; B65D 45/00; B65D 45/16; B65D 45/18; B65D 51/16; B65D 51/1683; B65D 51/1688; B65D 51/1694; B65D 51/18; B65F 1/1615
See application file for complete search history.

(56) **References Cited**

U.S. PATENT DOCUMENTS

D582,276 S 12/2008 Hyde et al.
D583,234 S 12/2008 Lohrman et al.
D596,458 S * 7/2009 McKinney D7/510
D632,524 S 2/2011 Rosbach et al.
D633,338 S 3/2011 Rosbach et al.
D638,658 S * 5/2011 Staton D7/392
D654,793 S 2/2012 Rosbach

OTHER PUBLICATIONS

Everich Catalog, 15 Innovation Design Manufacture, 2014 Collection, vol. 28, 28 pages.
(Continued)

Primary Examiner — Ricky Pham
(74) *Attorney, Agent, or Firm* — Klein, O’Neill & Singh, LLP

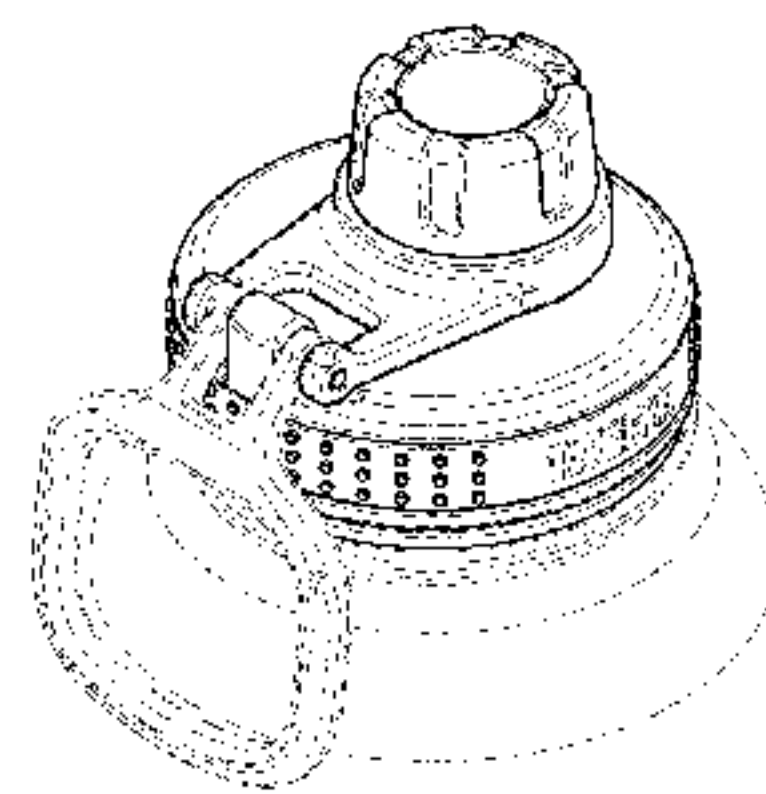
(57) **CLAIM**

The ornamental design for a bottle, as shown and described.

DESCRIPTION

FIG. 1 is a top, front and side perspective view of a first embodiment of a bottle embodying the new design;
FIG. 2 is a rear view thereof;
FIG. 3 is a front view thereof;
FIG. 4 is a first side view thereof;
FIG. 5 is a second side view thereof;
FIG. 6 is a top view thereof; and
FIG. 7 is a bottom view thereof.
FIG. 8 is a top, front, and side perspective view of a second embodiment of a bottle embodying the new design;
FIG. 9 is a rear view thereof;
FIG. 10 is a front view thereof;
FIG. 11 is a first side view thereof;
FIG. 12 is a second side view thereof;
FIG. 13 is a top view thereof; and
FIG. 14 is a bottom view thereof.
Broken lines are used to illustrate features of the bottle which form no part of the claimed design.
It will be understood that first and second embodiments are identical with the exception of the disclaimed handles.

1 Claim, 14 Drawing Sheets



(56)

References Cited

U.S. PATENT DOCUMENTS

D688,912 S 9/2013 Rosbach
D693,170 S 11/2013 Rosbach
D704,986 S 5/2014 Manies
D714,584 S * 10/2014 Boroski D7/392
8,905,252 B2 * 12/2014 Latham B65D 51/18
215/228
D763,076 S * 8/2016 Lane D9/446
D763,688 S 8/2016 Breit et al.
D767,390 S * 9/2016 Miksovsky D7/392.1
D772,652 S * 11/2016 Yao D7/510
D791,542 S * 7/2017 Miksovsky D7/510
D792,742 S * 7/2017 Meyers D7/523
D795,646 S * 8/2017 Sorensen D7/511
2009/0236341 A1 * 9/2009 McKinney A47G 19/2266
220/375
2013/0032564 A1 2/2013 Rosbach

OTHER PUBLICATIONS

Stanley Classic Flask, <https://www.stanley-pmi.com/shop/classic-flask>, 2017, 4 pages.

* cited by examiner

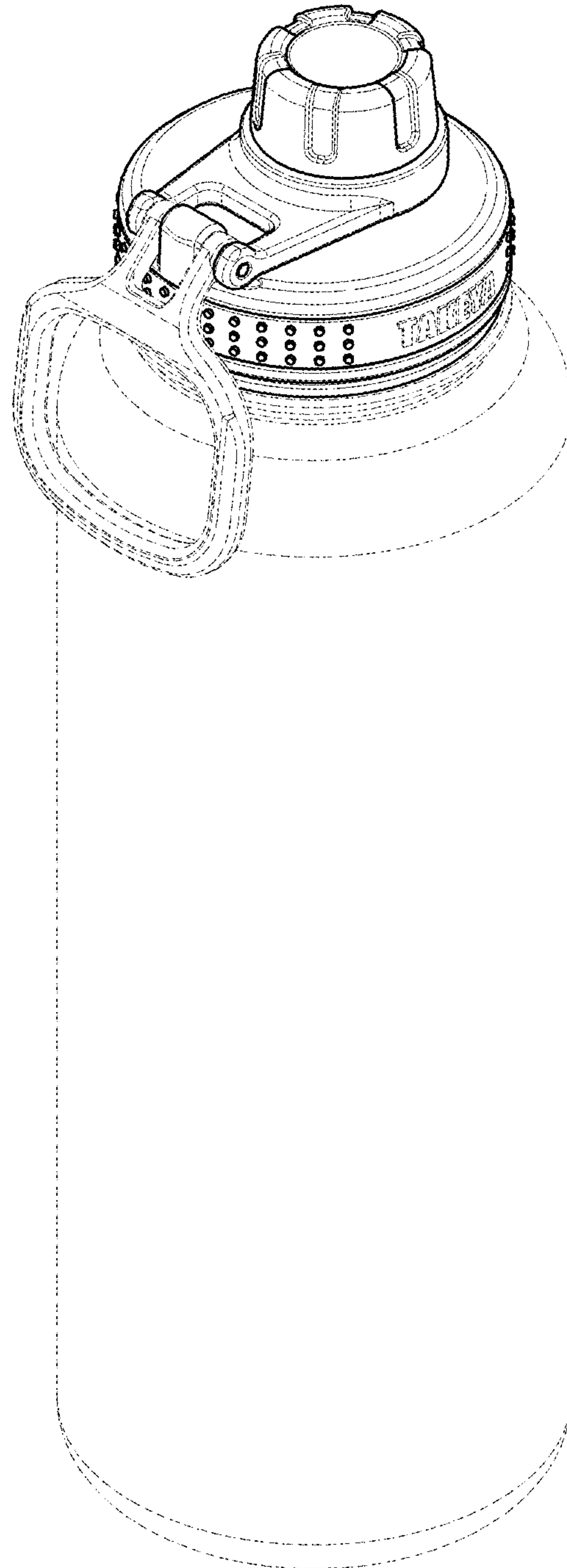


FIG. 1

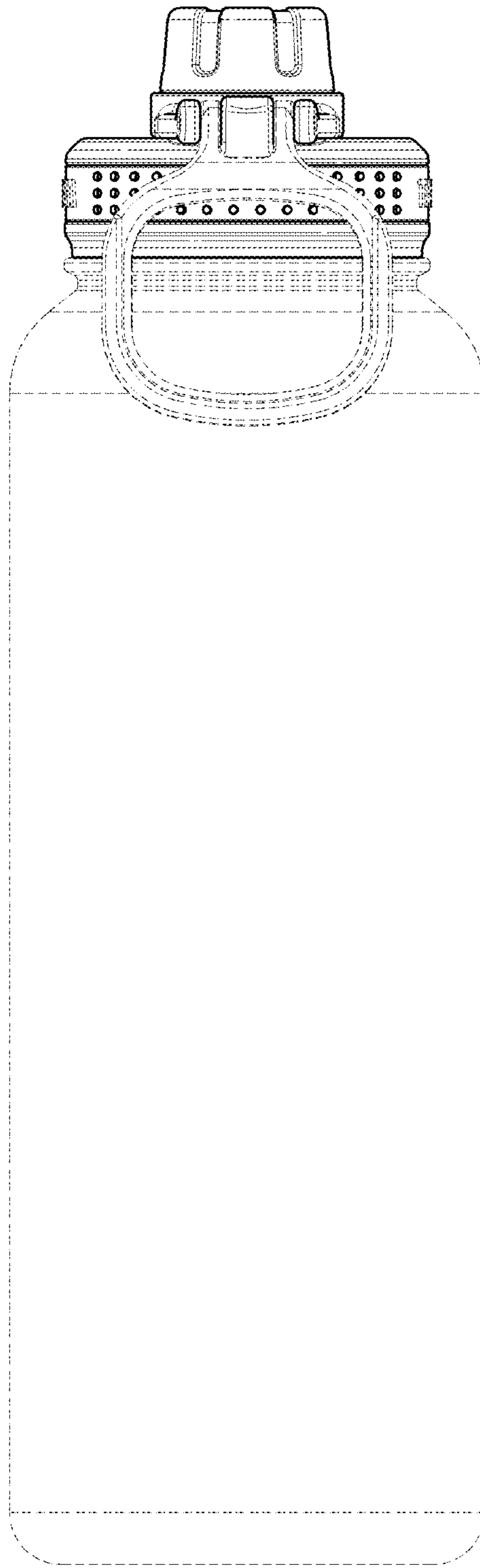


FIG. 2

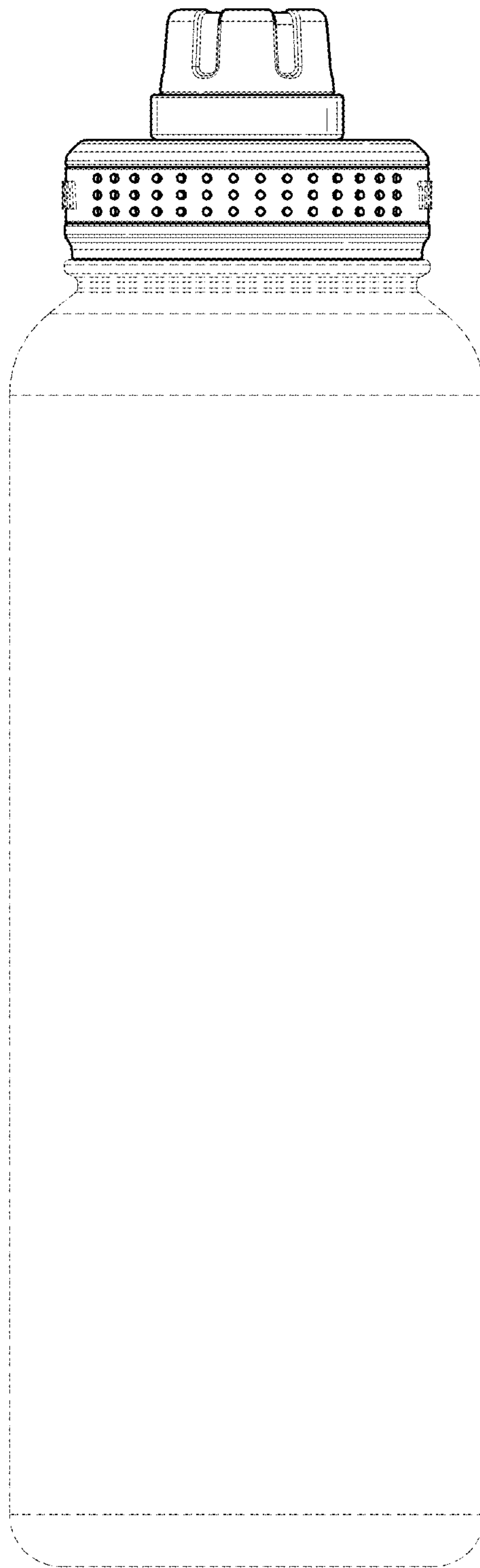


FIG. 3

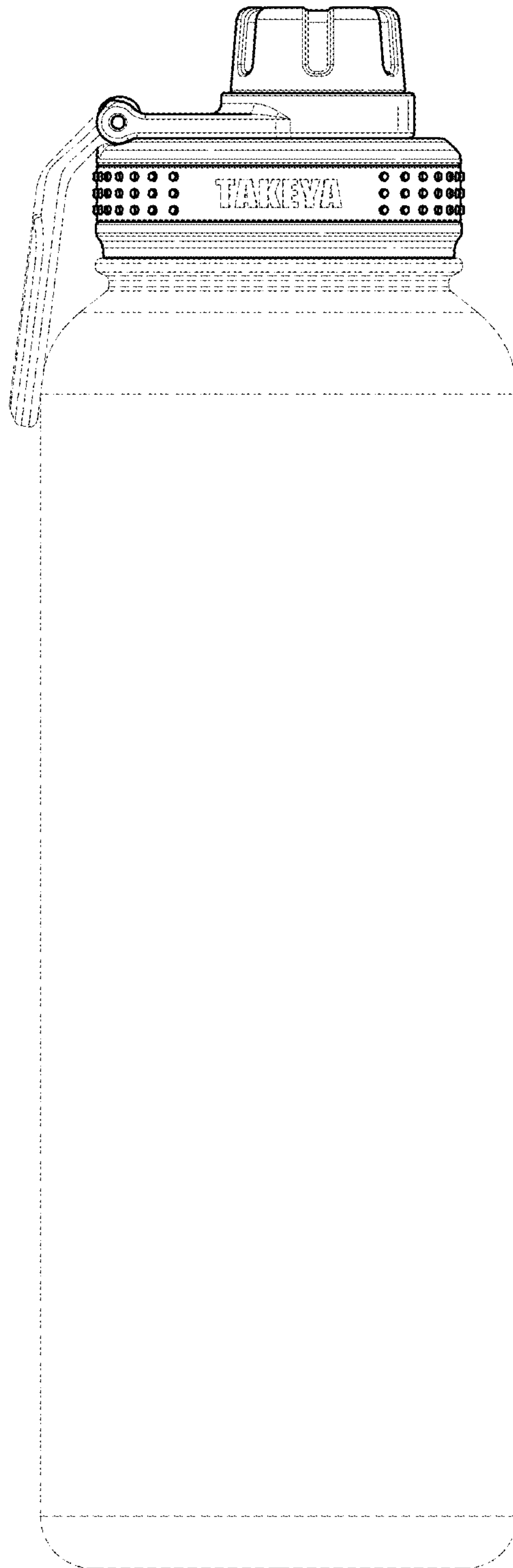


FIG. 4

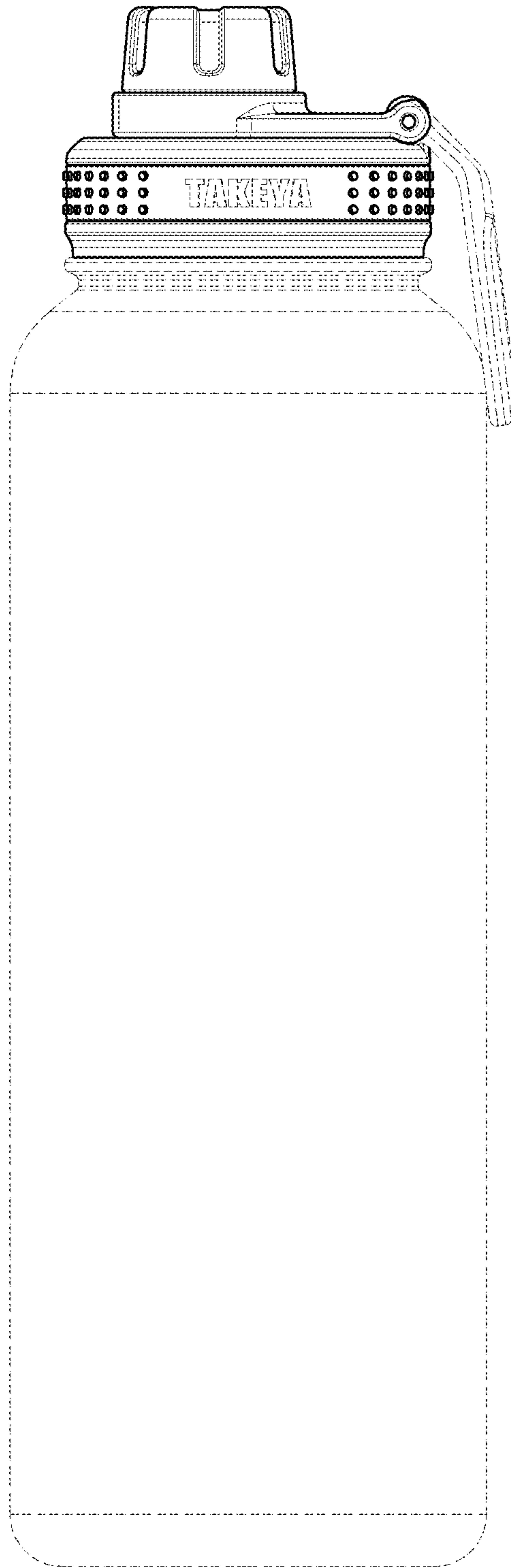


FIG. 5

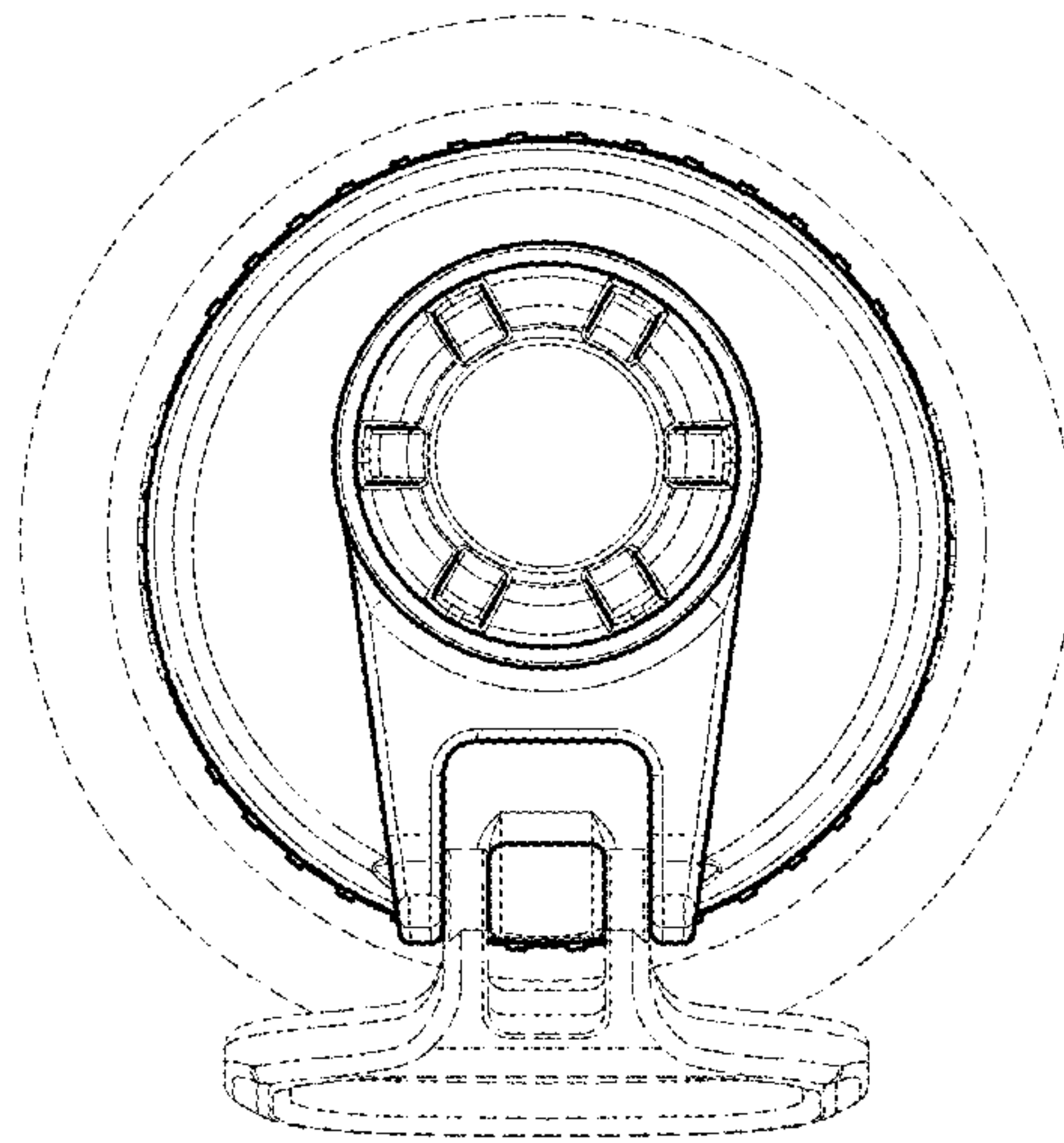


FIG. 6

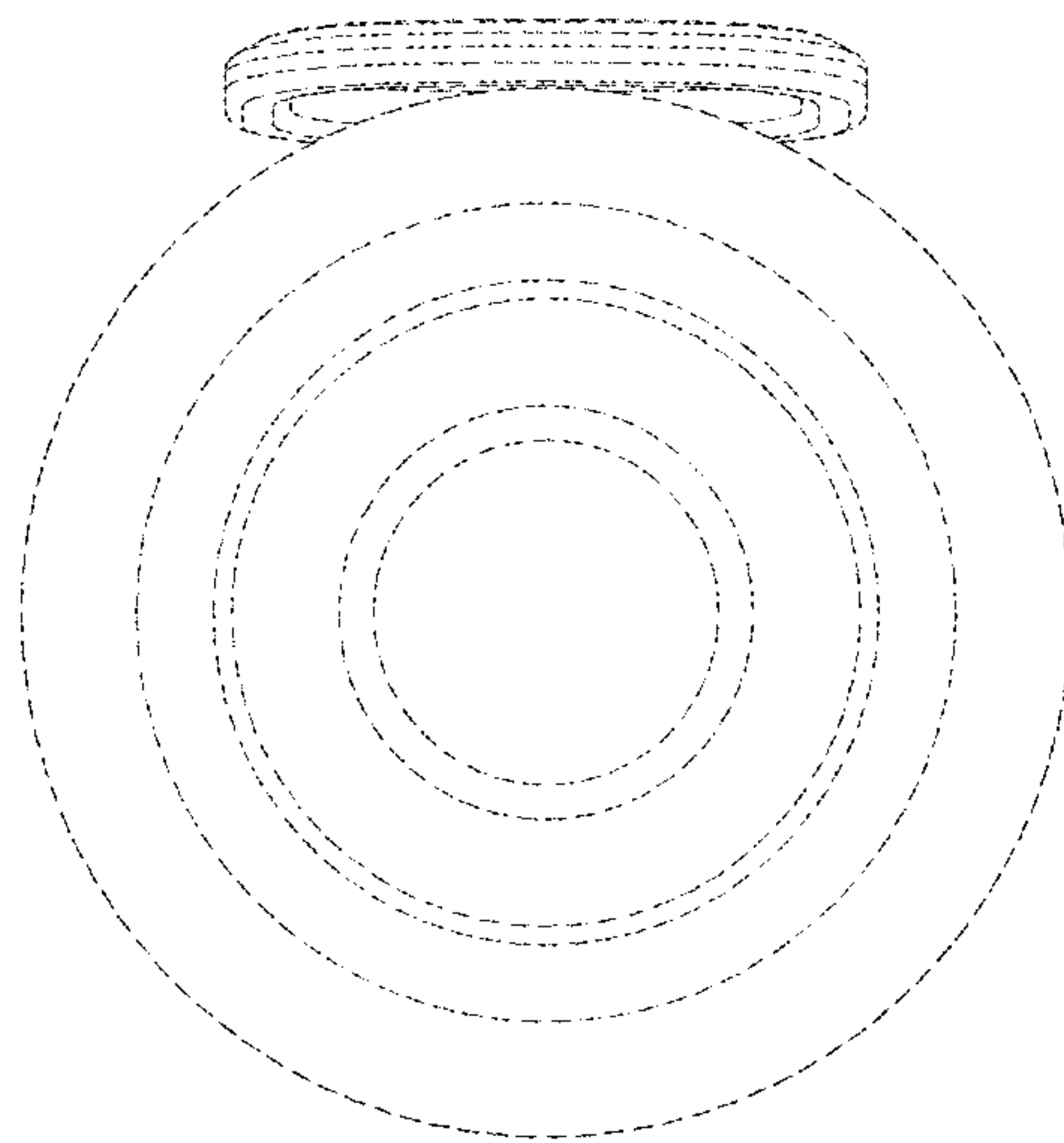


FIG. 7

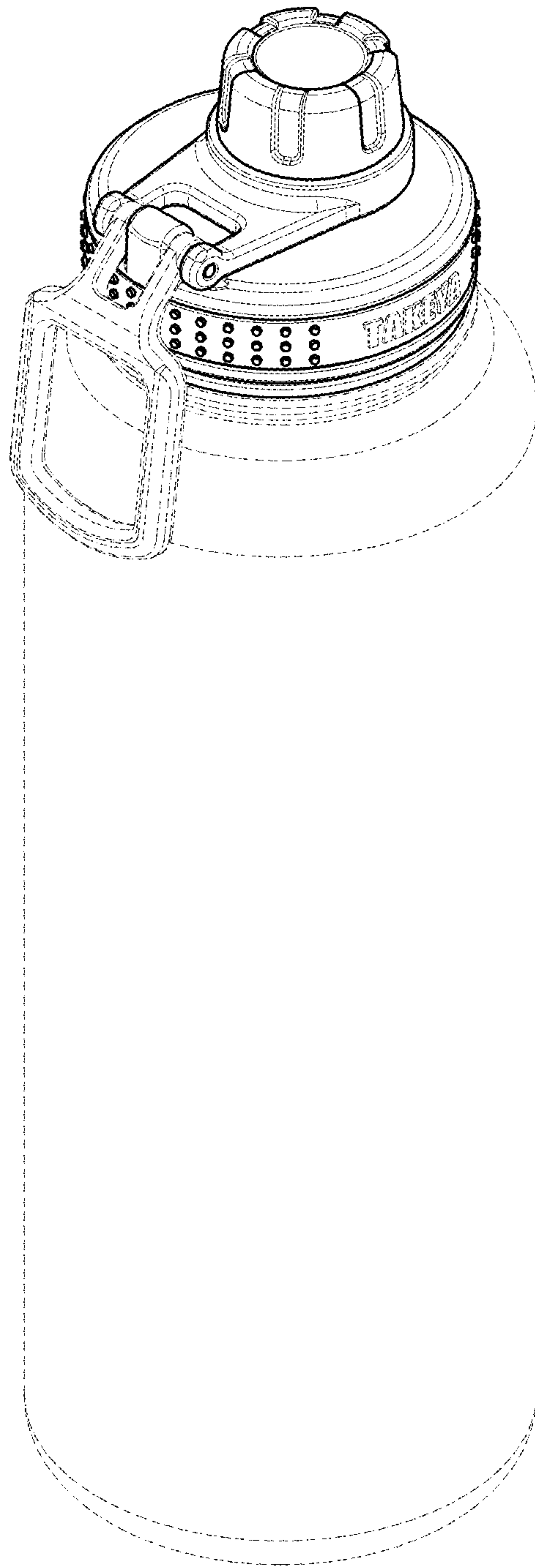


FIG. 8



FIG. 9

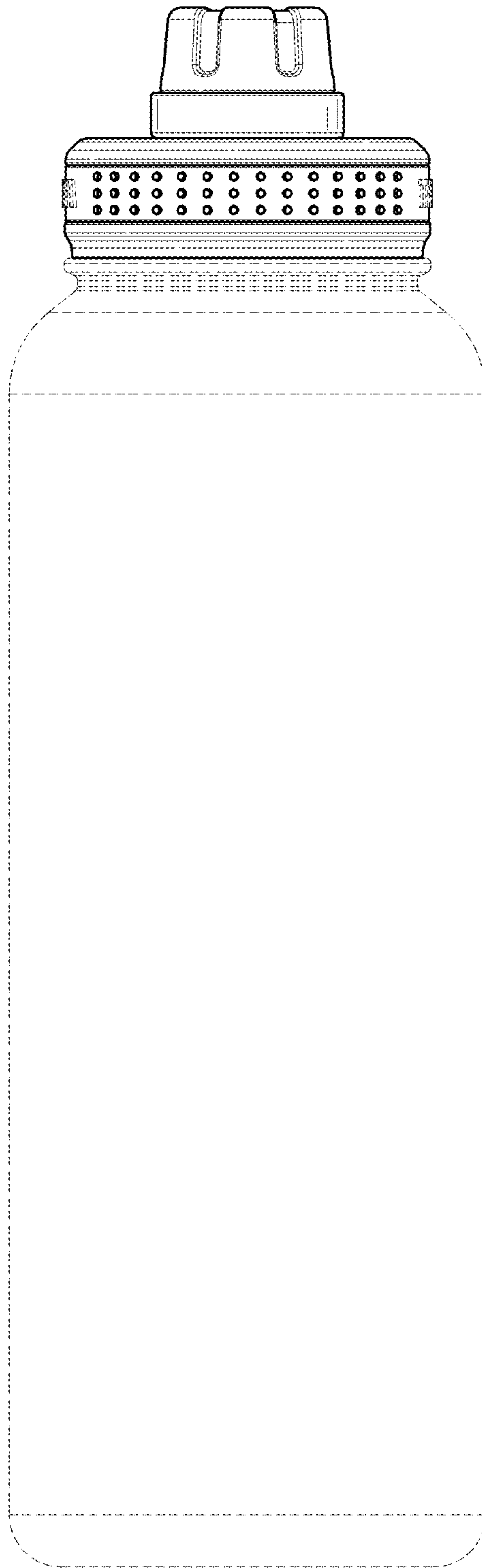


FIG. 10

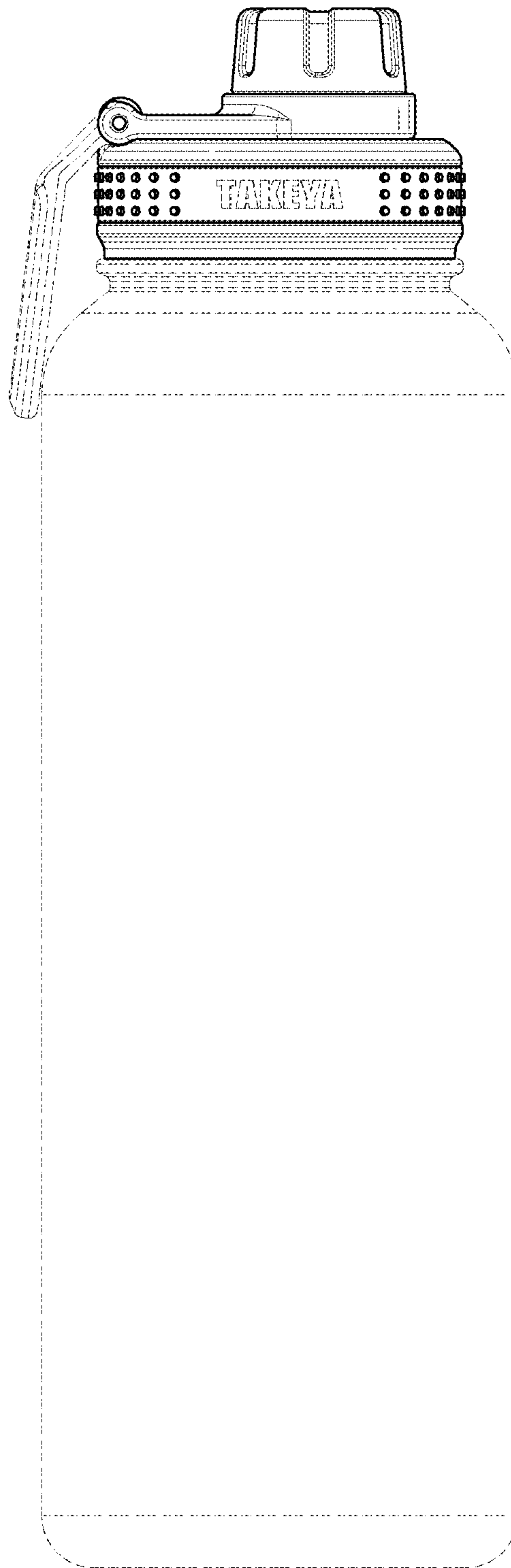


FIG. 11

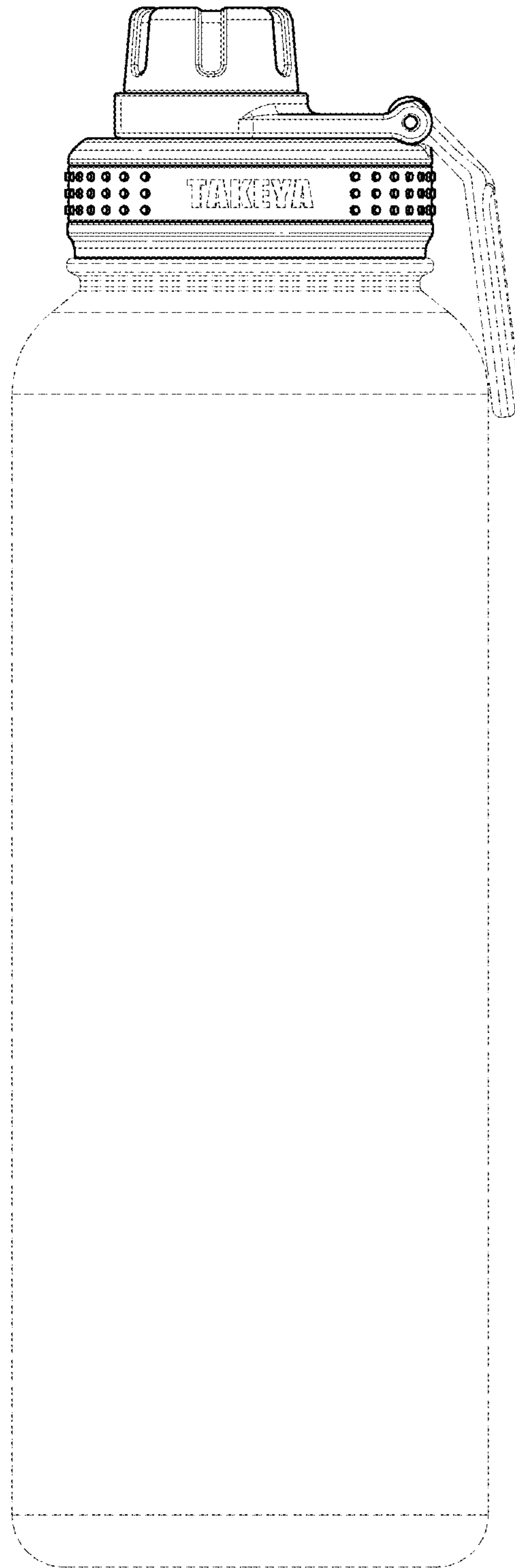


FIG. 12

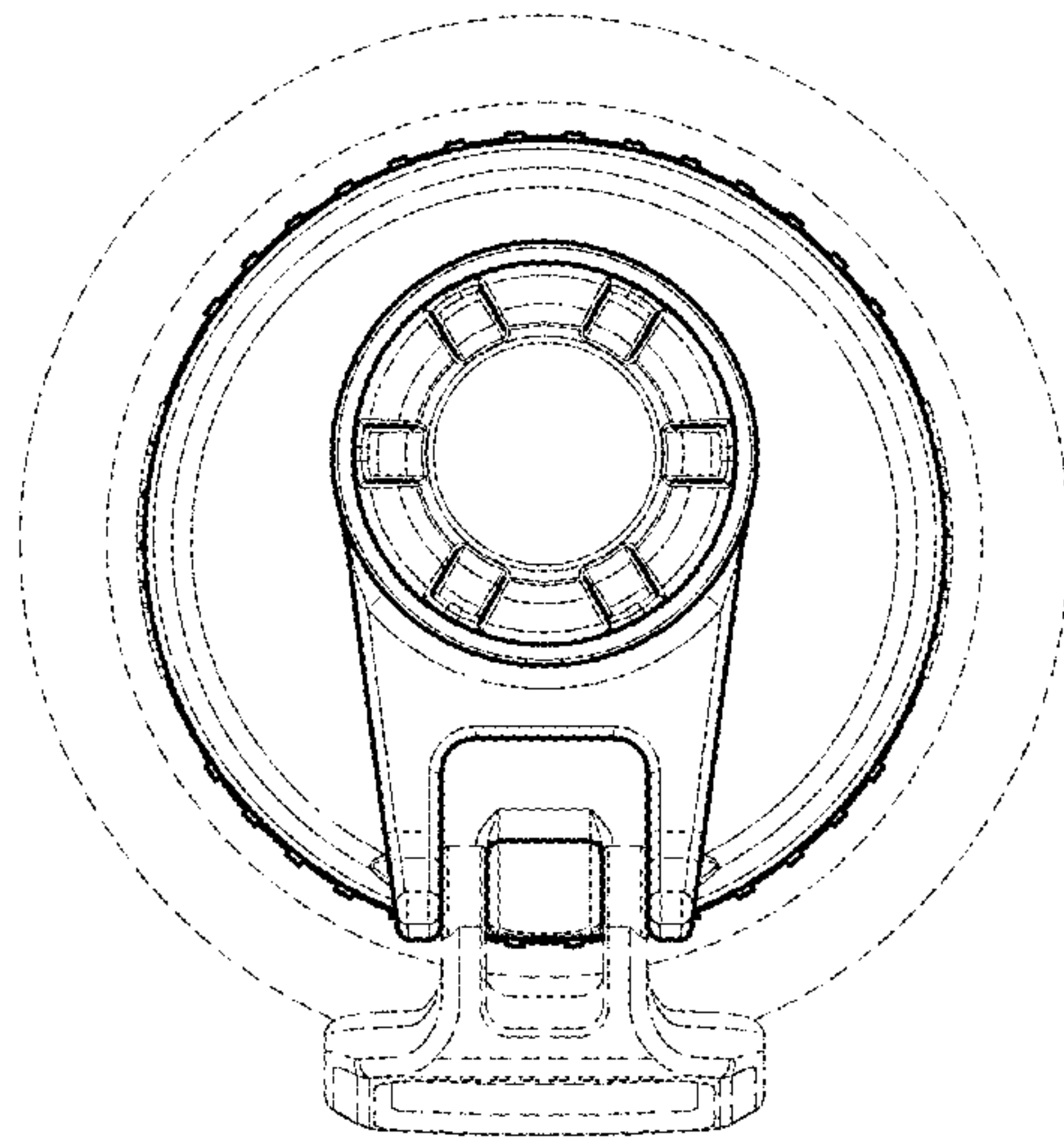


FIG. 13

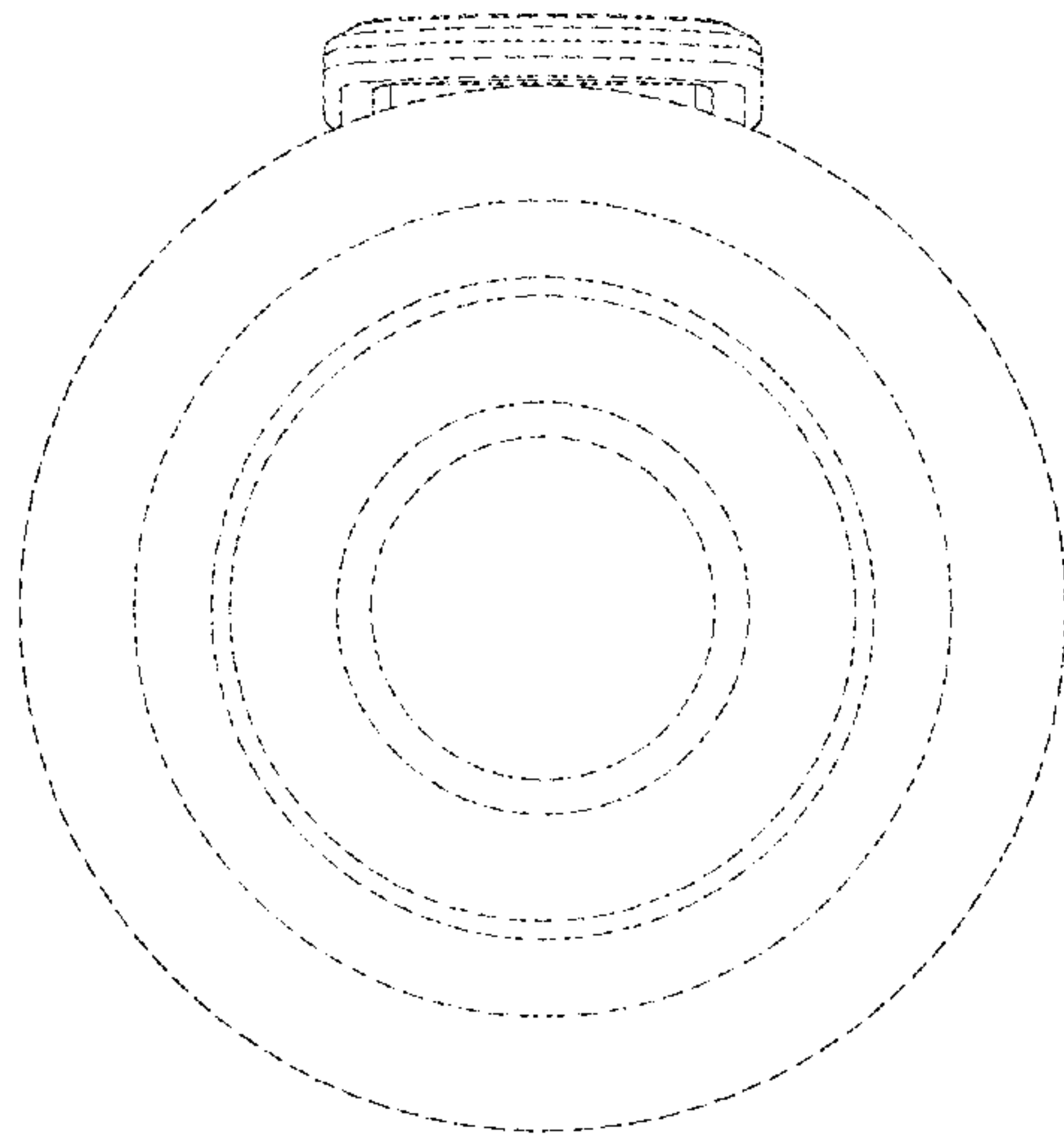


FIG. 14