



US00D807109S

(12) **United States Design Patent**
Ho et al.

(10) **Patent No.:** **US D807,109 S**
(45) **Date of Patent:** **** Jan. 9, 2018**

(54) **HAND MIXER**

(71) Applicants: **Hiu Wai Ho**, Kowloon (HK); **Wing Kit Lui**, Kowloon (HK)

(72) Inventors: **Hiu Wai Ho**, Kowloon (HK); **Wing Kit Lui**, Kowloon (HK)

(73) Assignee: **Eric Beare Associates Limited**, Kowloon (HK)

(**) Term: **15 Years**

(21) Appl. No.: **29/580,665**

(22) Filed: **Oct. 12, 2016**

(51) **LOC (11) Cl.** **31-00**

(52) **U.S. Cl.**
USPC **D7/379; D7/376**

(58) **Field of Classification Search**
USPC D7/372, 376-386, 412-413, 602, 629, D7/665-666, 669, 679, 693-694
CPC A21C 1/02; A21C 1/04; A23N 1/00; A23N 1/02; A47J 43/04; A47J 43/25; A47J 43/27; A47J 43/042; A47J 43/044; A47J 43/046; A47J 43/075; A47J 43/0722; A47J 43/0727; A47J 43/082; B01F 3/00; B01F 3/0807; B01F 3/0853; B01F 13/0059; B01F 13/0064; B02C 1/08; B02C 2/04; B02C 4/42; B02C 4/142; B02C 4/143; B02C 4/423; B02C 13/1835; B28C 5/10; B28C 5/12; B28C 5/14; B28C 5/16
See application file for complete search history.

(56) **References Cited**

U.S. PATENT DOCUMENTS

D182,424 S * 4/1958 Madl D7/379
D182,885 S * 5/1958 Ernest D7/379

D208,805 S * 10/1967 De Fano D7/379
D210,682 S * 4/1968 De Fano D7/379
3,904,178 A * 9/1975 Scott A47J 43/044
362/89
D255,760 S * 7/1980 Ernest D7/379
4,277,181 A * 7/1981 Stahly A21C 1/02
366/200
4,568,193 A * 2/1986 Contri A47J 43/082
366/197
D465,698 S * 11/2002 Allan D7/379
D540,114 S * 4/2007 Picozza D7/379
D540,115 S * 4/2007 Picozza D7/379
D587,962 S * 3/2009 Picozza D7/379
D756,165 S * 5/2016 Lee D7/376

* cited by examiner

Primary Examiner — Ricky Pham

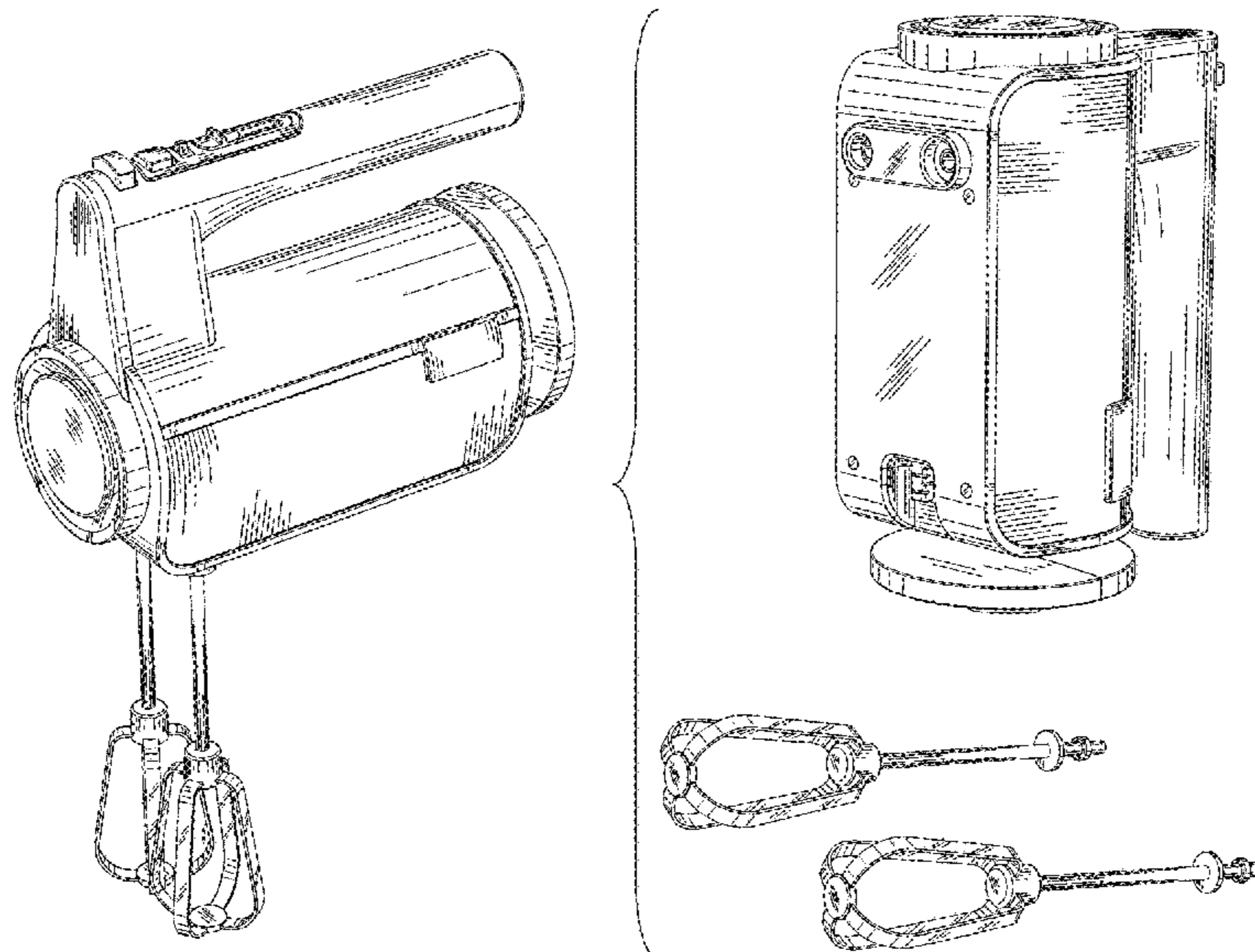
(57) **CLAIM**

The ornamental design for the a hand mixer, as shown and described.

DESCRIPTION

FIG. 1 is a front elevational view of the hand mixer showing our new design;
FIG. 2 is a rear elevational view thereof;
FIG. 3 is a left side view thereof;
FIG. 4 is a right side view thereof;
FIG. 5 is a top plan view thereof;
FIG. 6 is a bottom plan view thereof;
FIG. 7 is a perspective view thereof;
FIG. 8 is another perspective view thereof; and,
FIG. 9 is an exploded perspective view of the hand mixer with the mixing components detached.

1 Claim, 8 Drawing Sheets



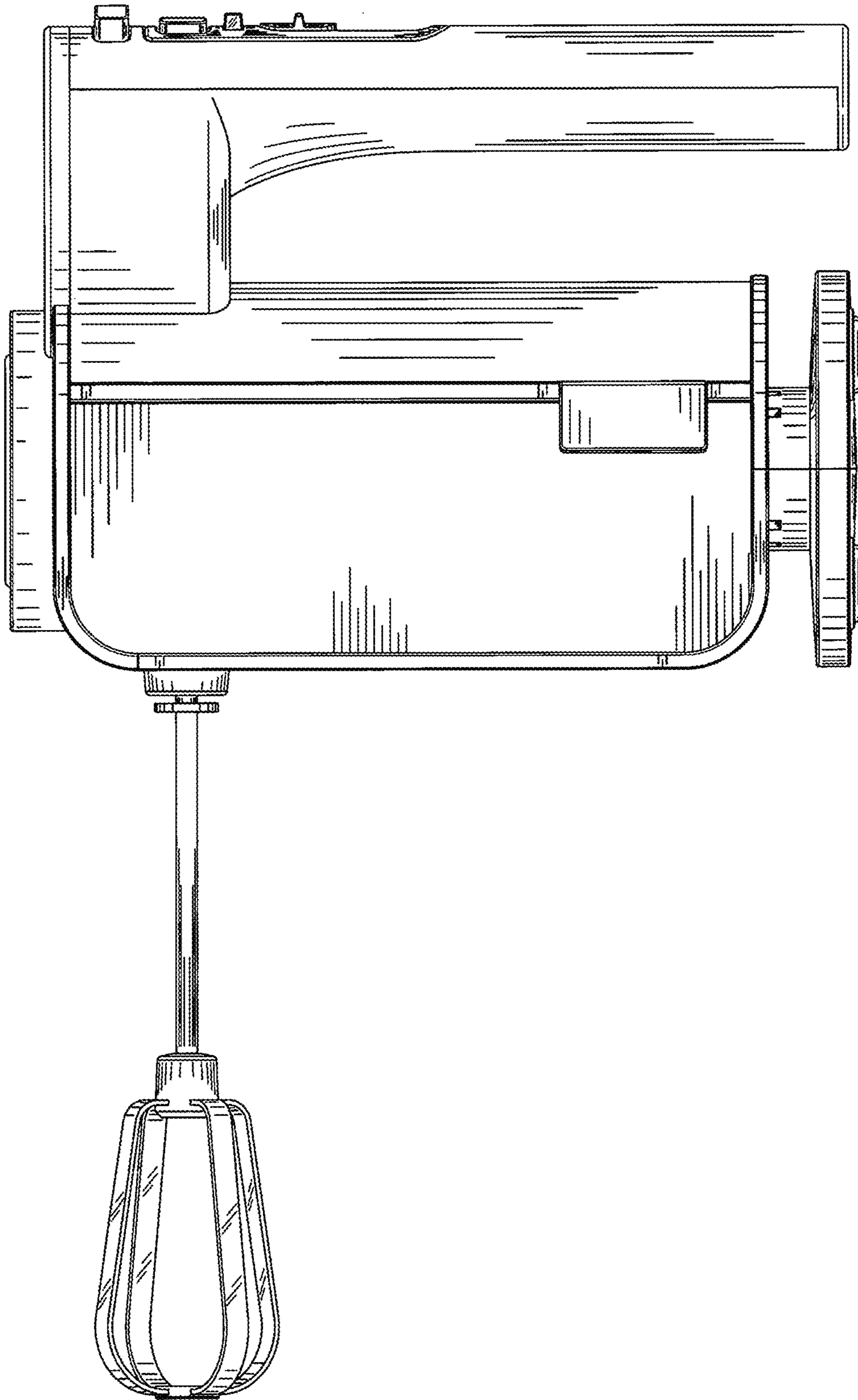


FIG. 1

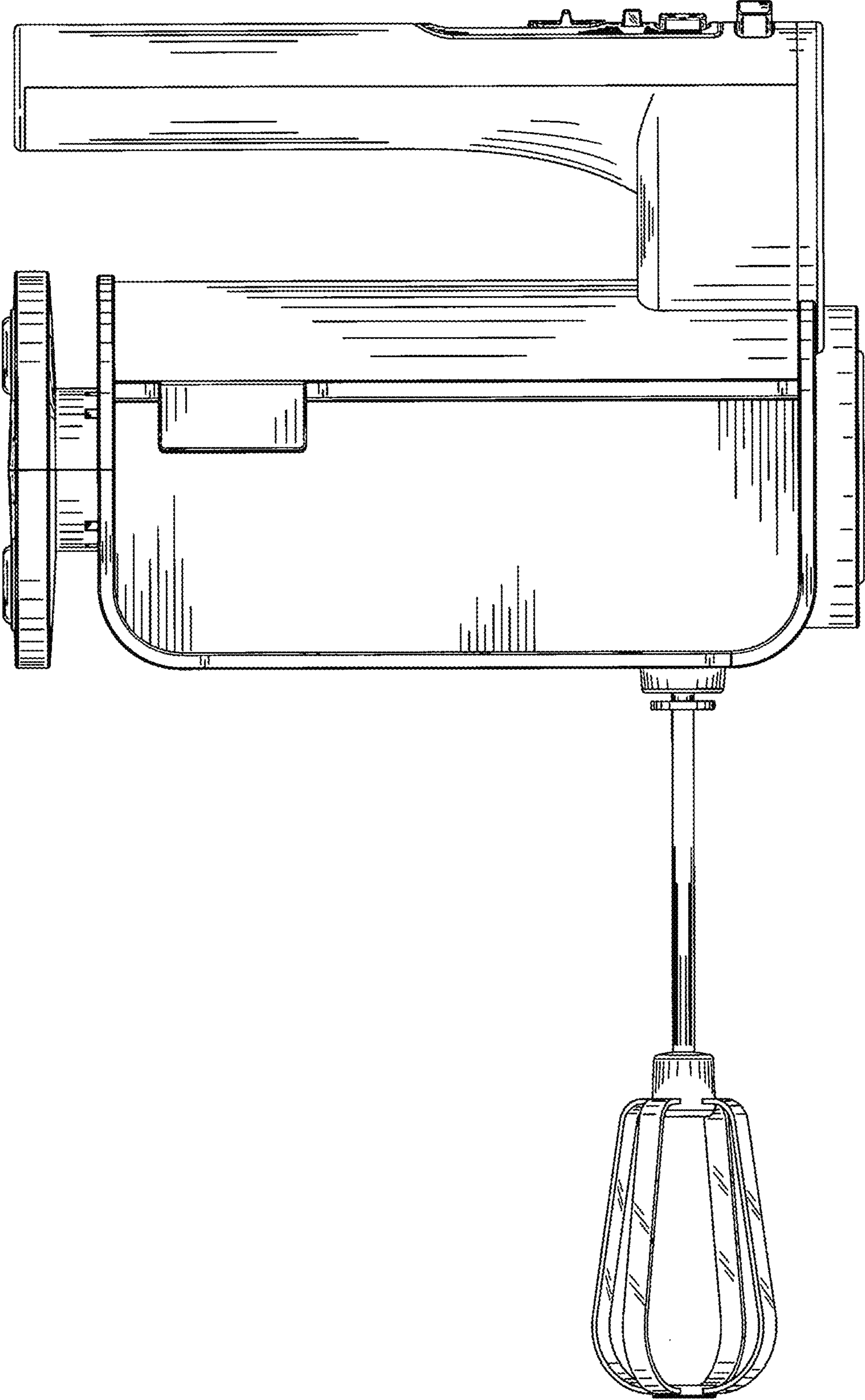


FIG. 2

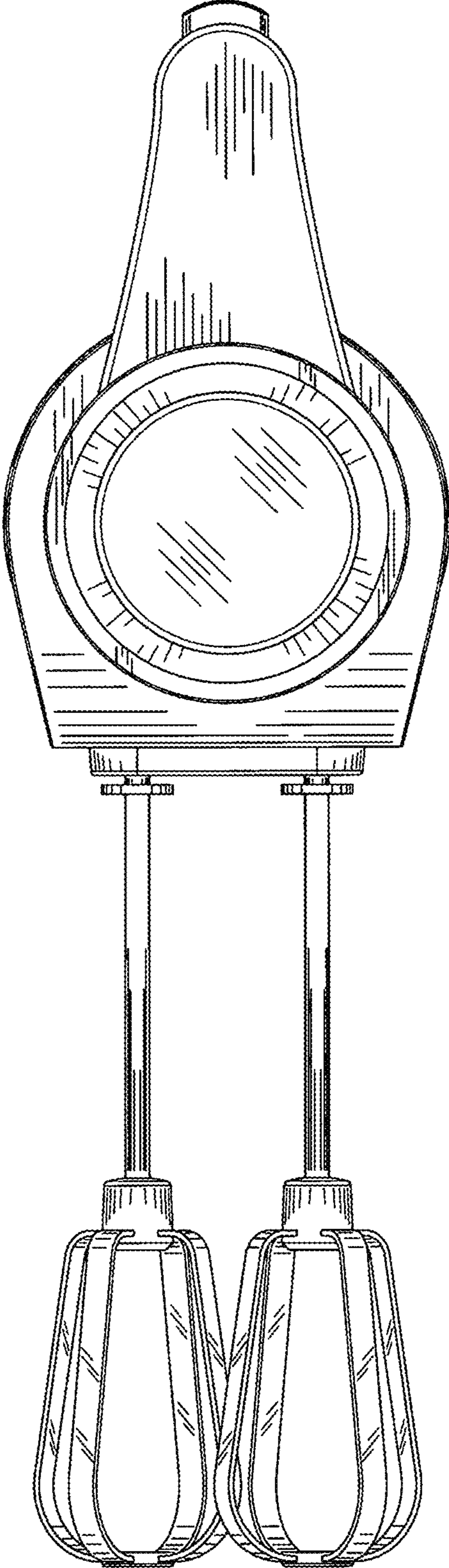


FIG. 3

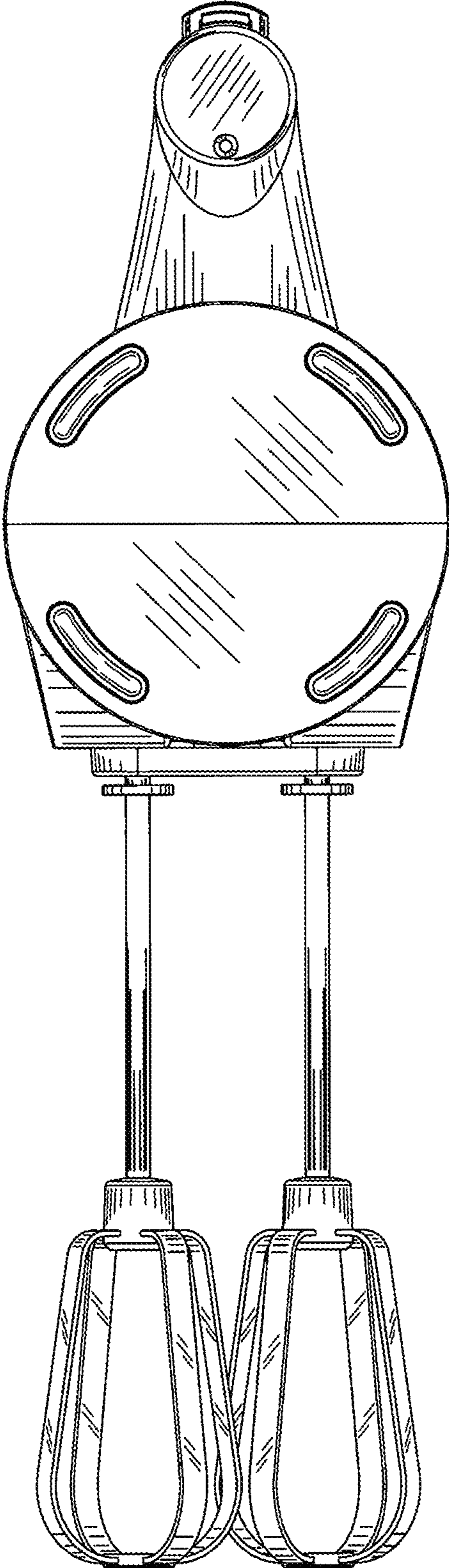


FIG. 4

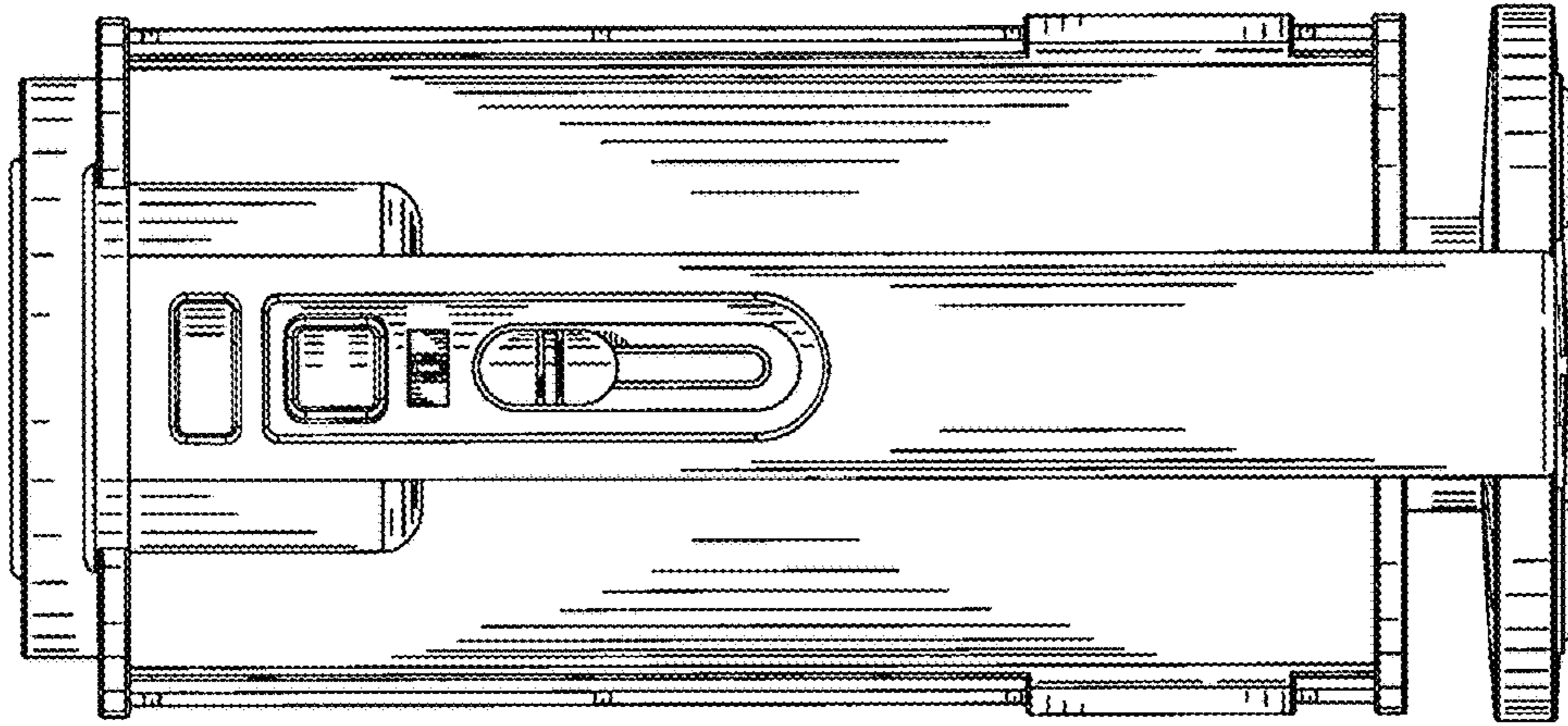


FIG. 5

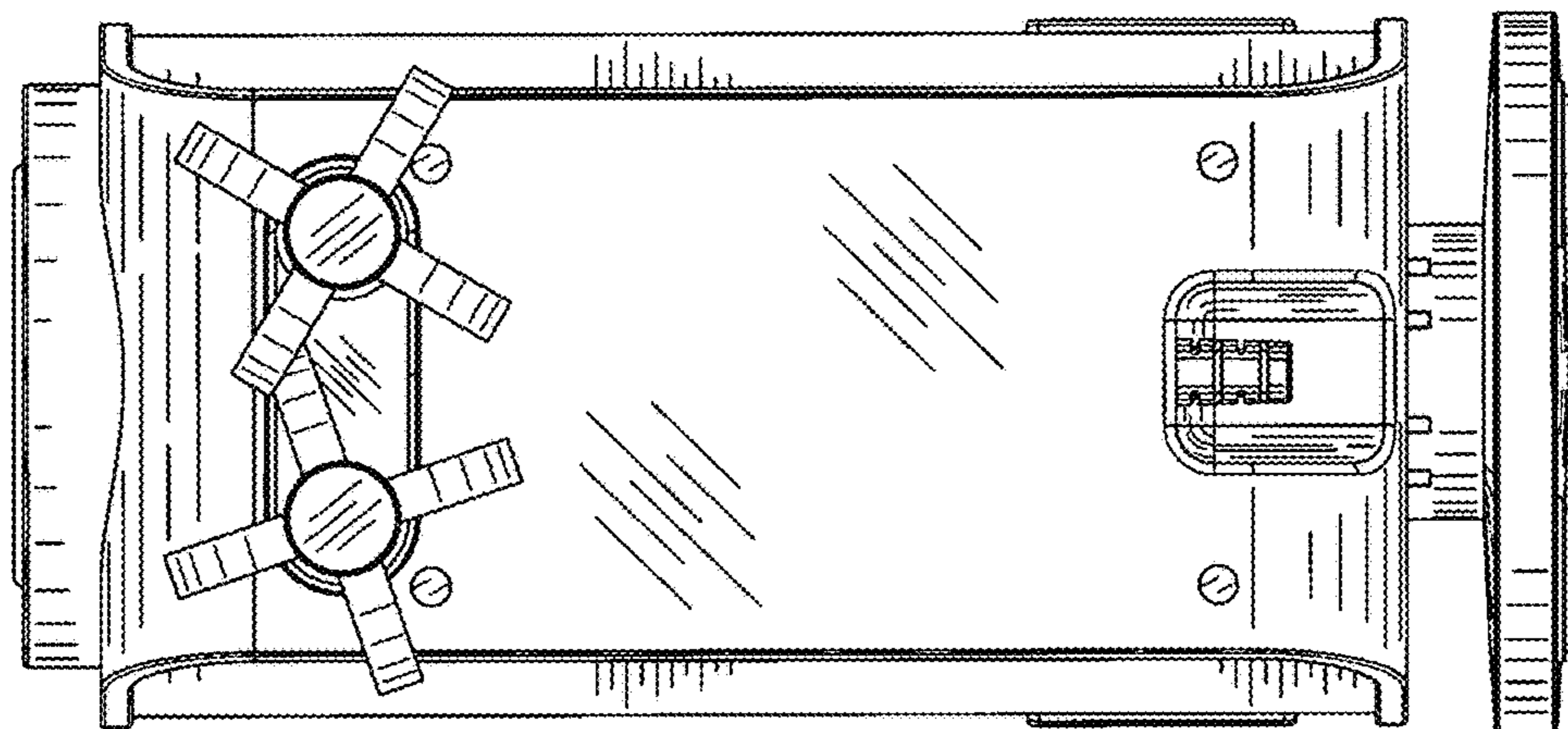


FIG. 6

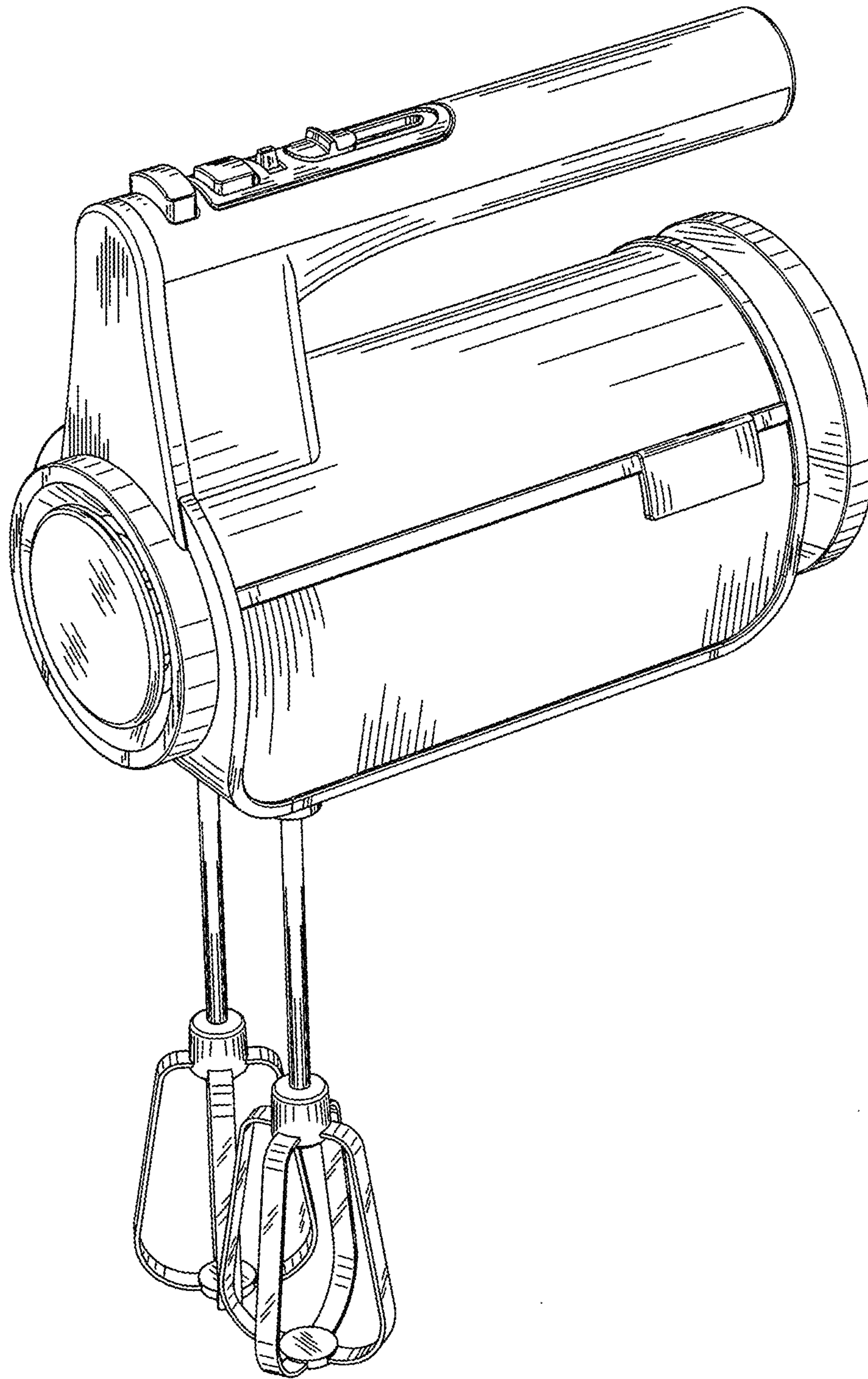


FIG. 7

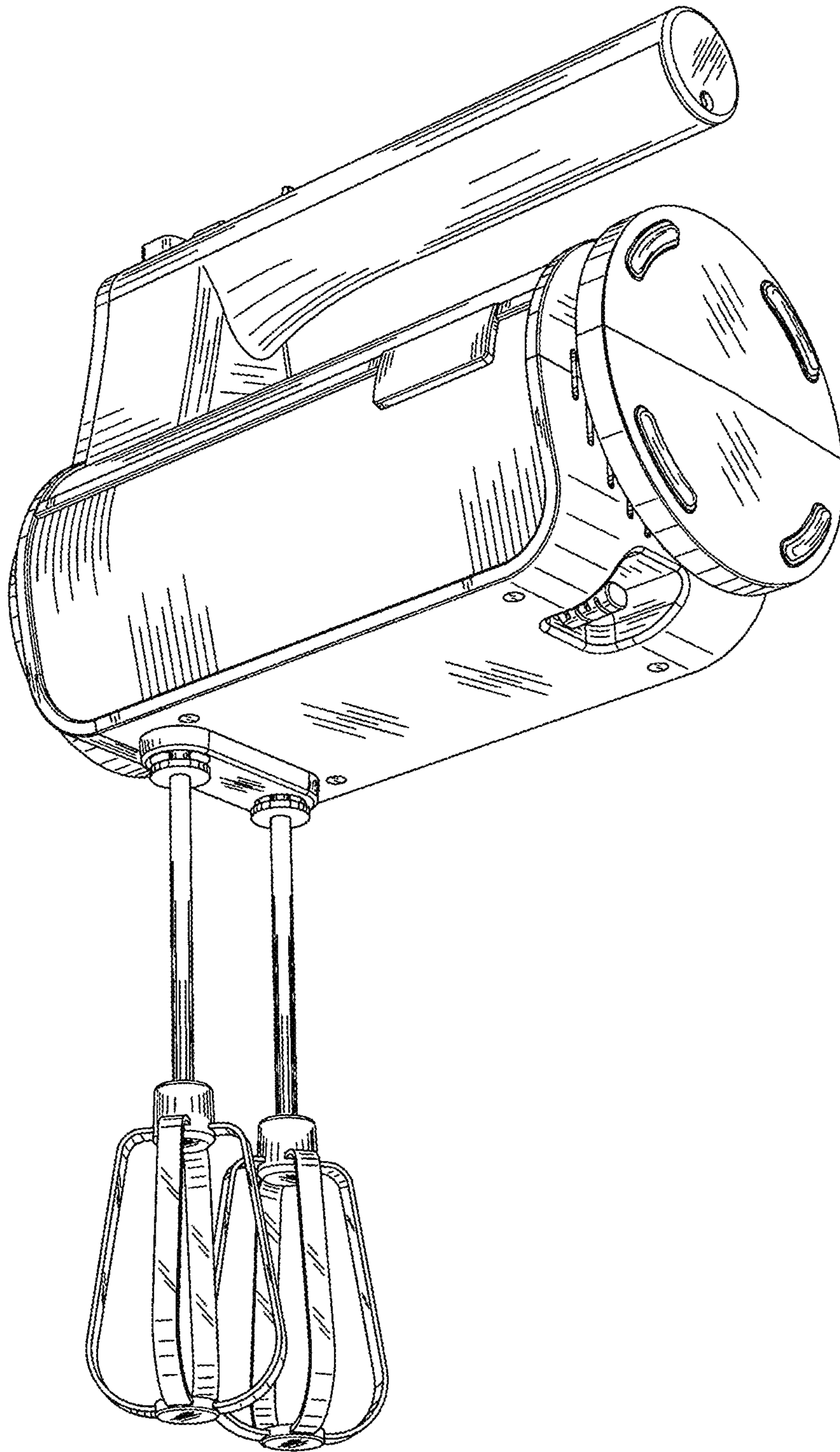


FIG. 8

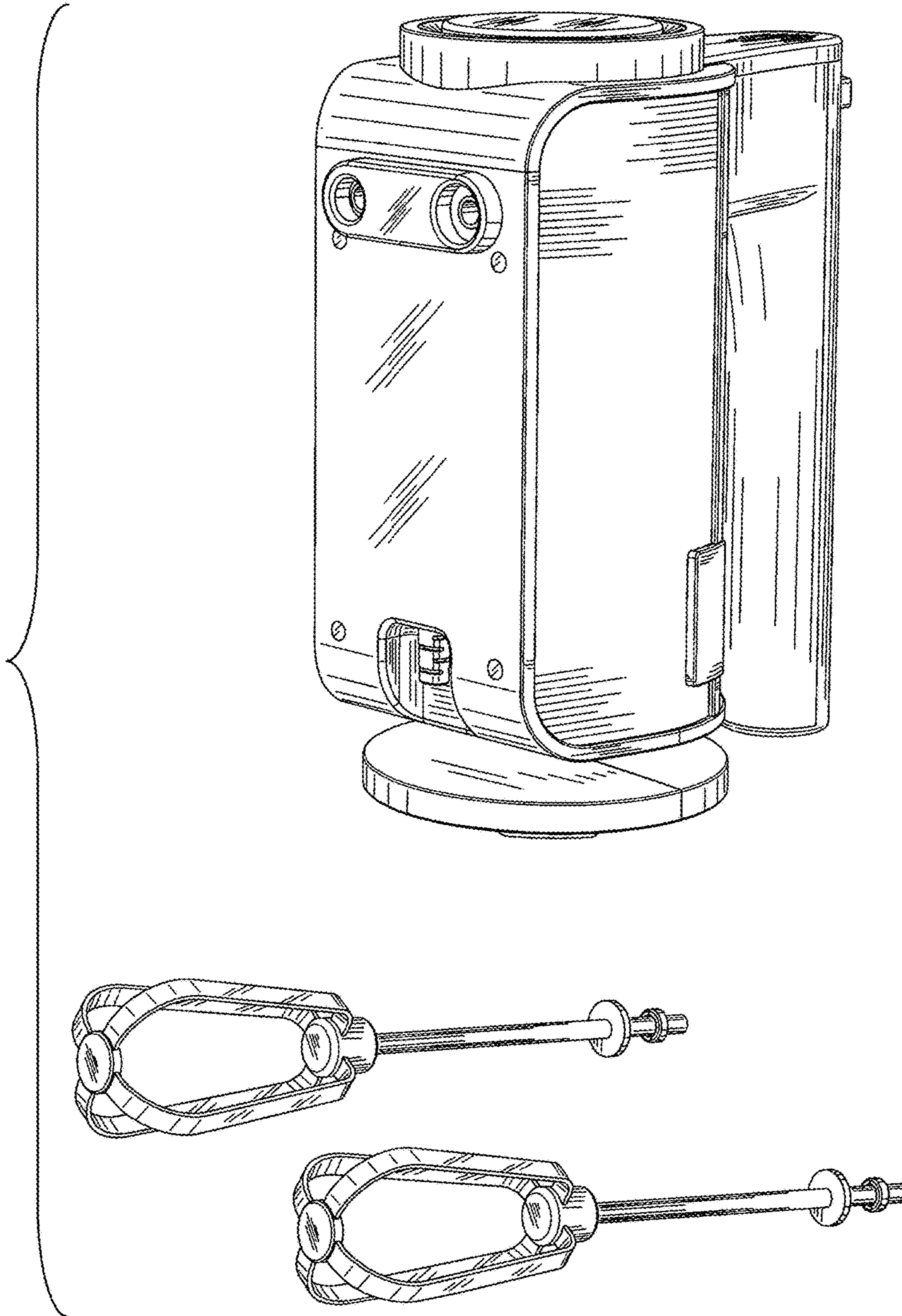


FIG. 9